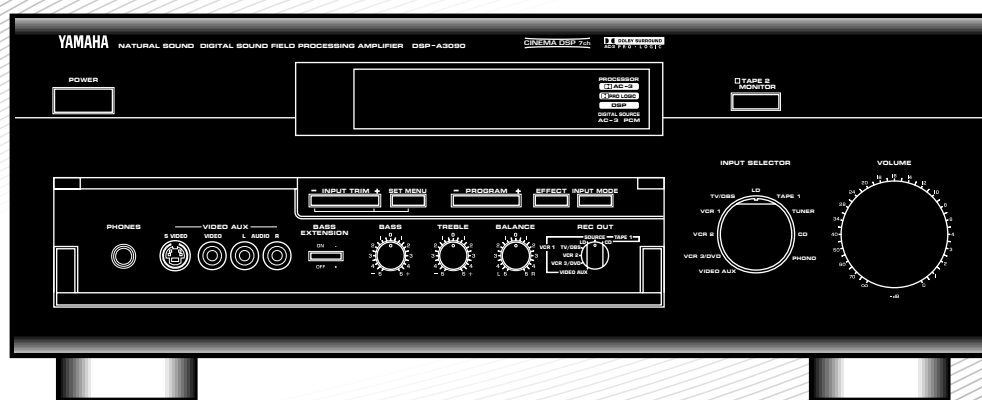


YAMAHA

DSP-A3090

GUIDE TO SYSTEM CONNECTION



Set Up The Speakers Before Making Connections

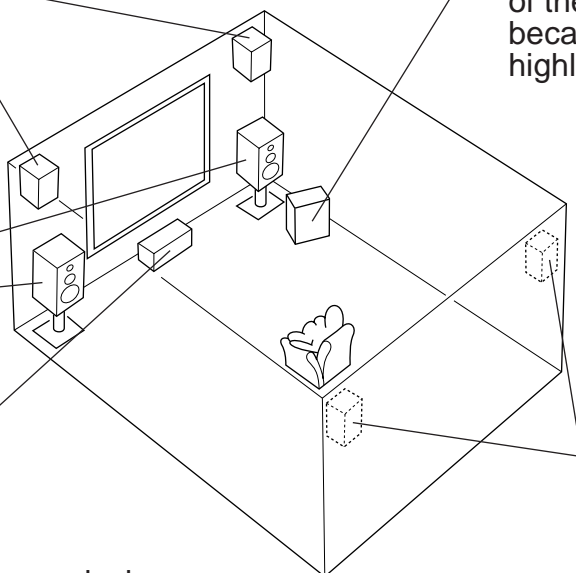
Place the **Front Effect Speakers** further apart from the Main Speakers, on either side of and a few feet behind and above the Main Speakers.

If you will use a **Subwoofer** such as a Yamaha Active Servo Subwoofer System, the position of the subwoofer is not so critical because low bass tones are not highly directional.

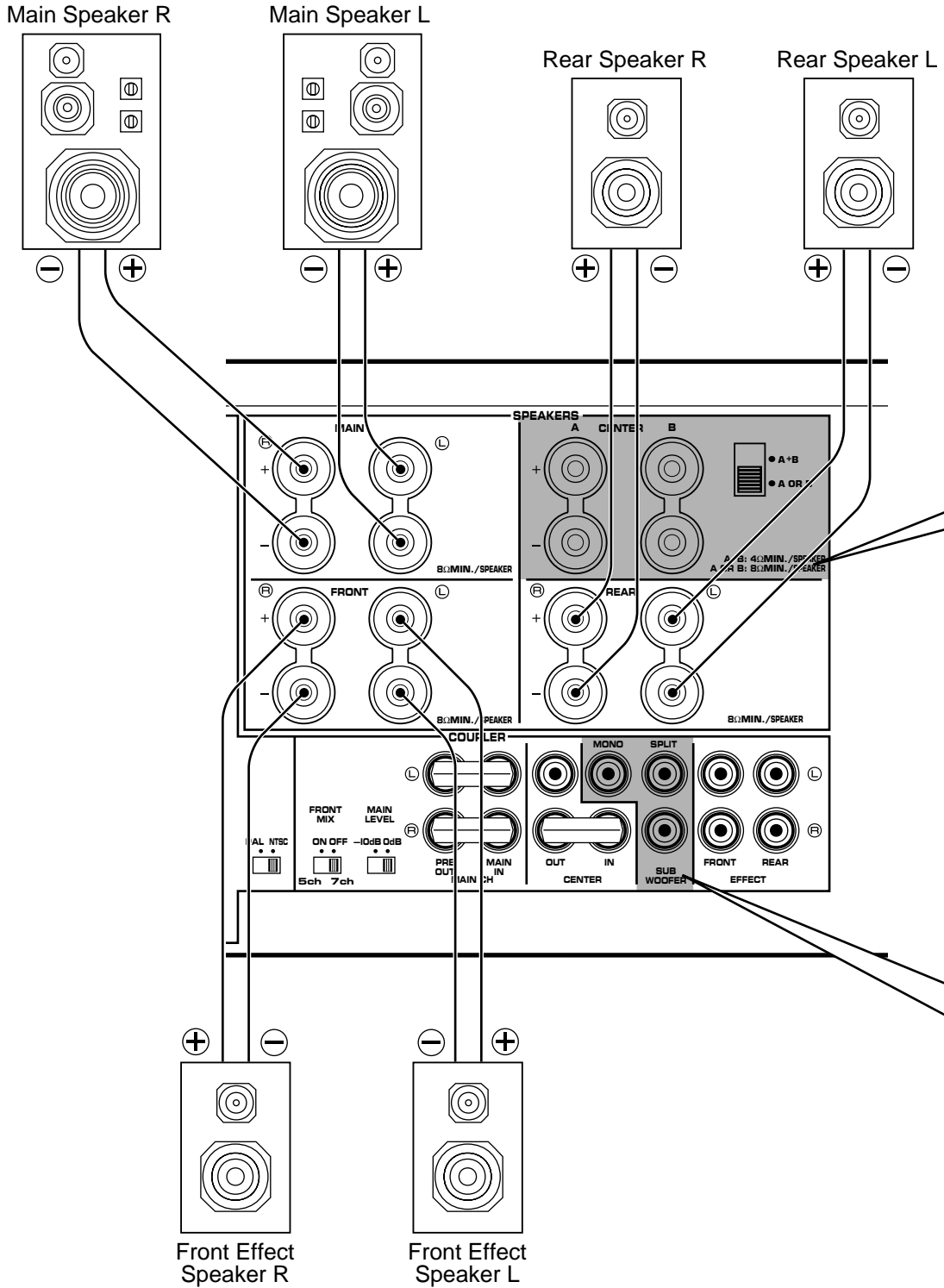
Place the **Main Speakers** in the normal position.

Place the **Center Speaker** precisely between the two Main Speakers.

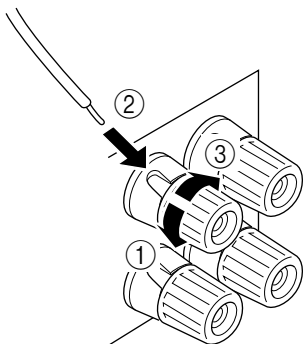
Place the **Rear Effect Speakers** behind your listening position. They should be nearly six feet up from the floor.



CONNECTING SPEAKERS

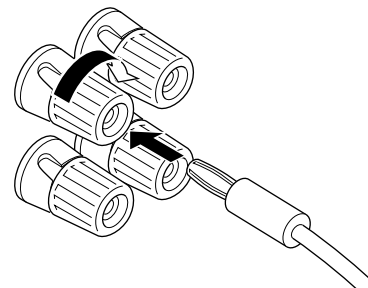


Connect bare ends of speaker wires to terminals or use Banana Plugs



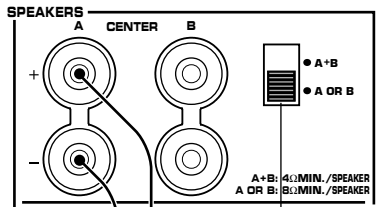
Red: positive (+)
Black: negative (-)

- ① Unscrew the knob.
- ② Insert the bare wire.
- ③ Tighten the knob and secure the wire.



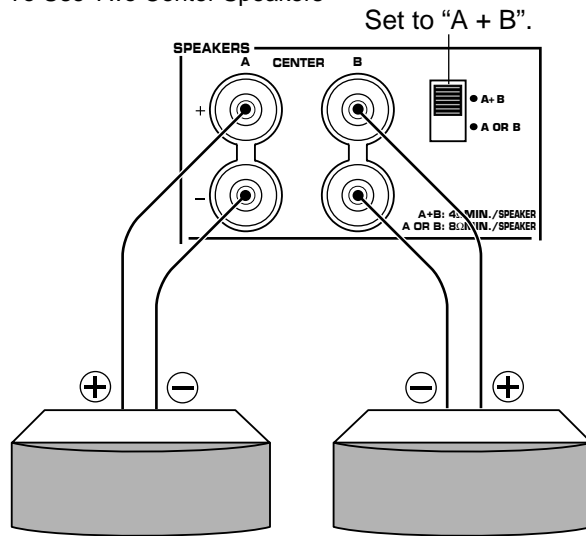
CENTER SPEAKER(S)

To Use One Center Speaker



Set to "A OR B".

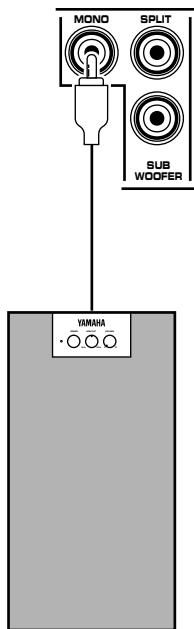
To Use Two Center Speakers



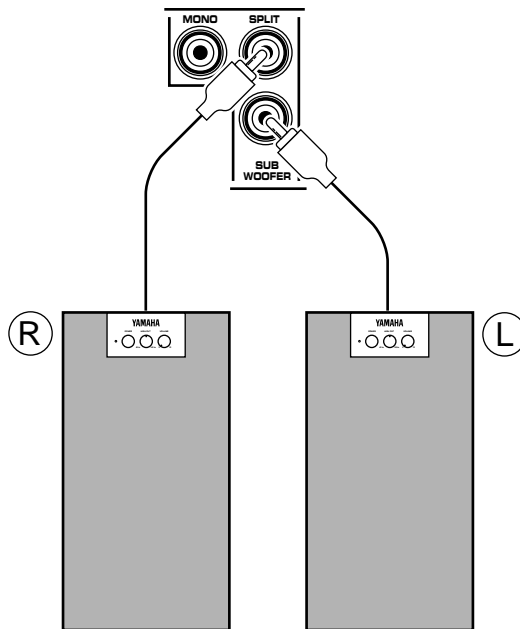
Set to "A + B".

SUBWOOFER

To Use One Subwoofer System

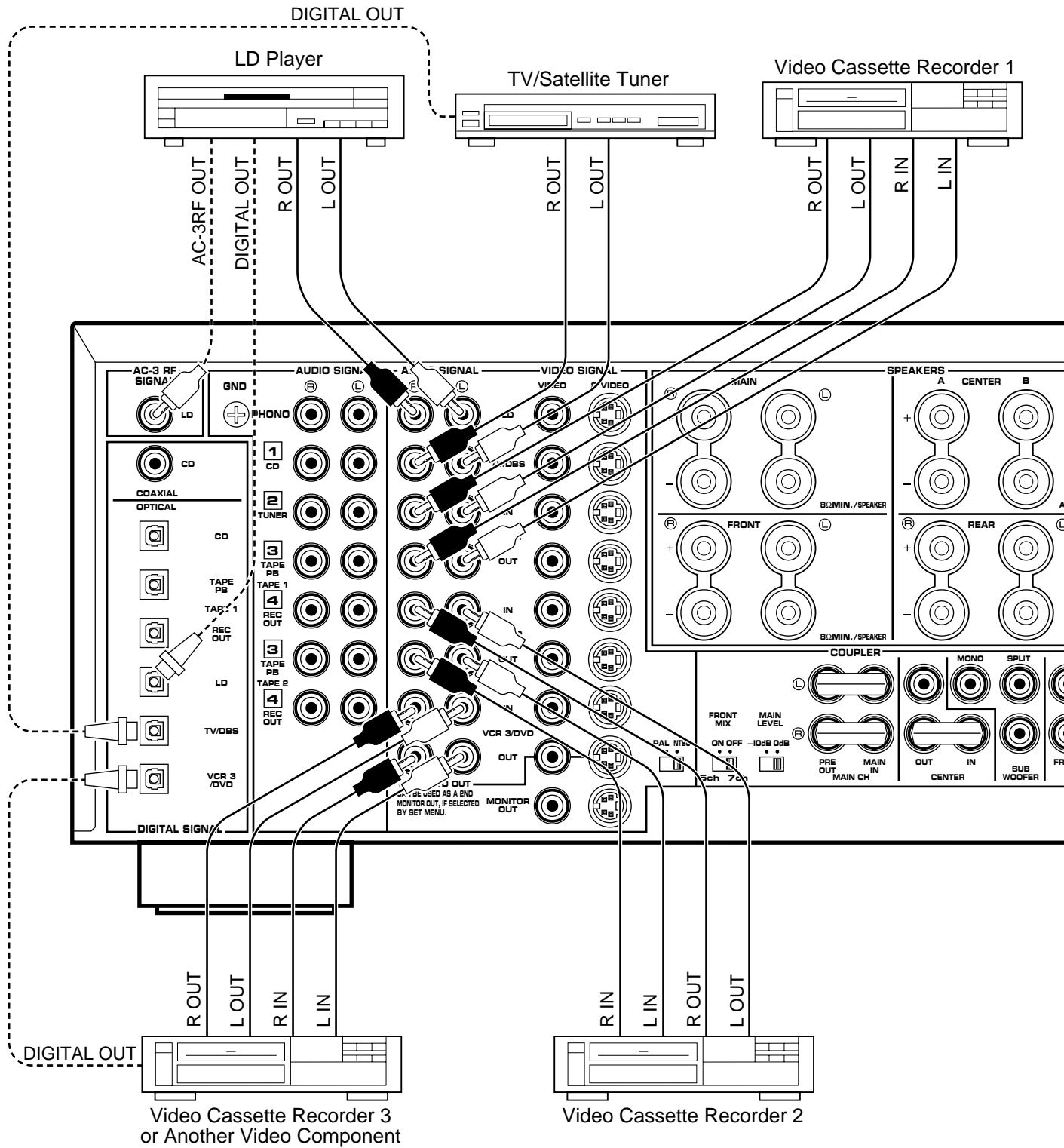


To Use Two Subwoofer Systems



CONNECTING VIDEO COMPONENTS

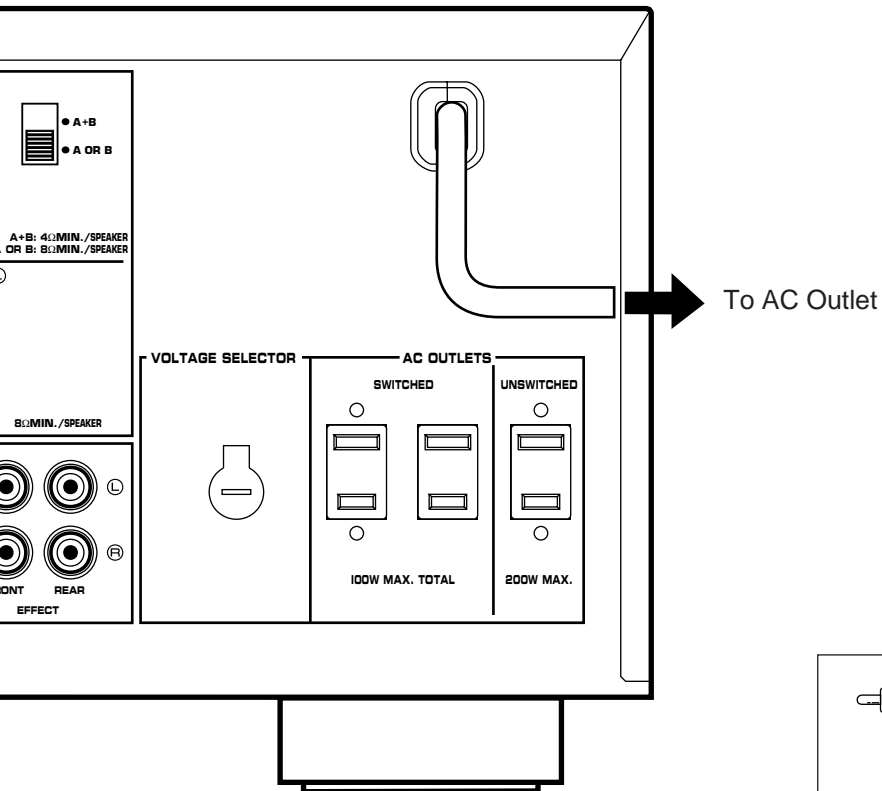
1 Audio Connections









Notes

- If your components are equipped with digital audio signal output (and input) jacks, they can be connected to this unit's DIGITAL SIGNAL input (and output) jacks.
- Even if you connect a component to the DIGITAL SIGNAL jack of this unit, you must keep the component connected with the same named analog audio signal jacks of this unit, because digital signal cannot be recorded by a tape deck or VCR other than the tape deck connected to the OPTICAL TAPE 1 REC OUT jack of this unit.
- If your LD player has an AC-3 RF signal output jack, connect it to this unit's AC-3 RF SIGNAL input jack. Audio signals encoded with the Dolby Surround AC-3 are input to this unit by this connection.

(General Model)

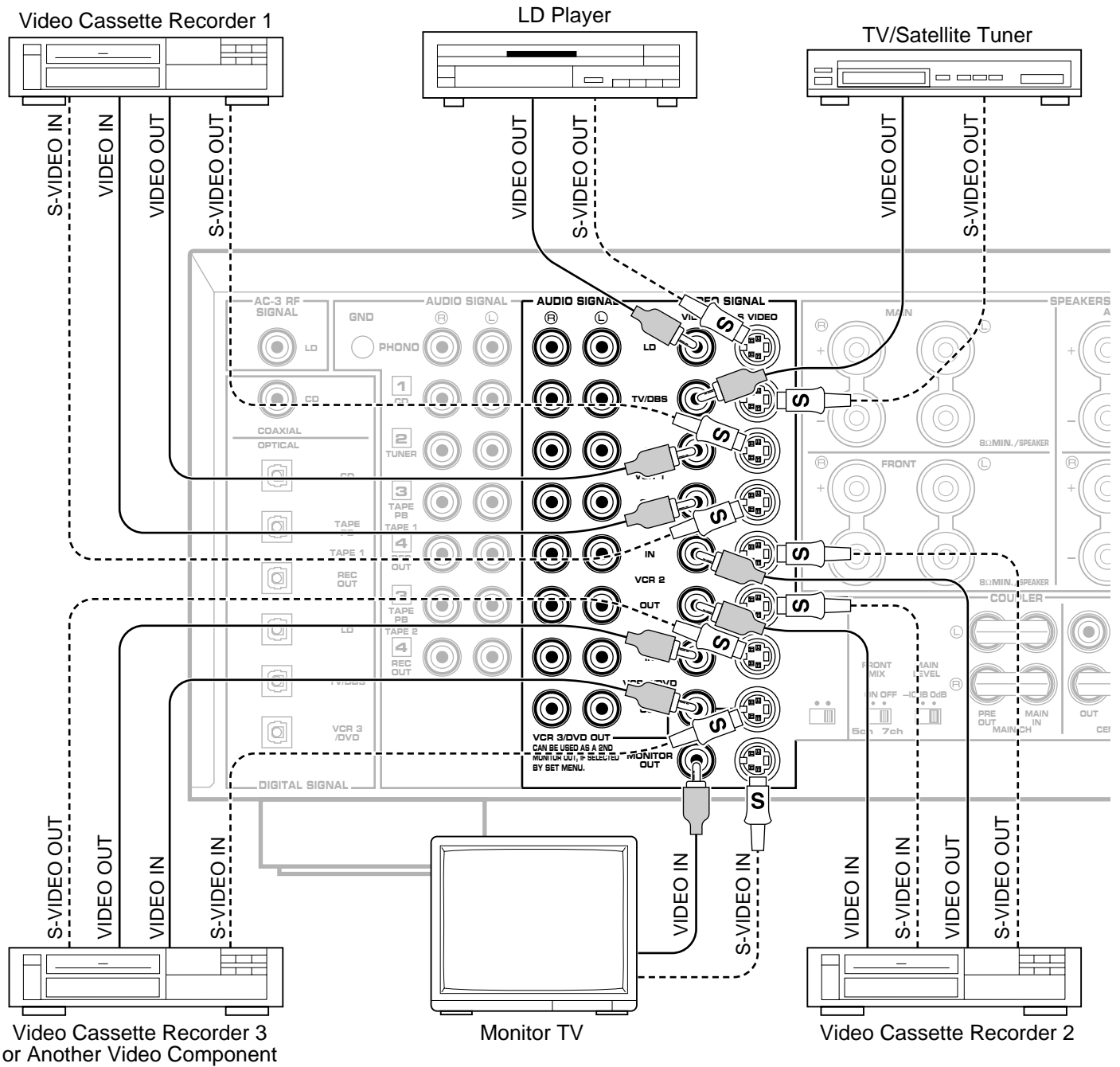


-  : RCA Pin Plug Connector Cable
-  (Red): Right Audio
-  (White): Left Audio
-  : Optical Fiber Cable

-  : Basic Connection (Required)
-  : Additional Connection For Higher Sound Quality Or Special Performance

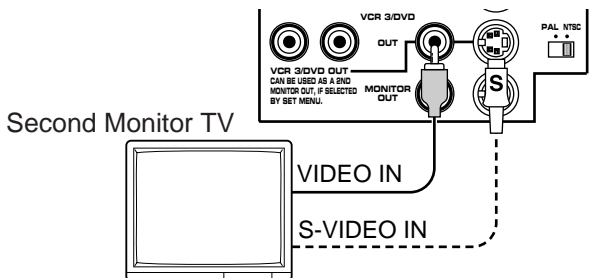
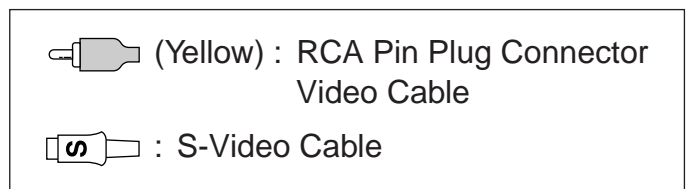
2 Video Connections

If your video components offer S-Video capability, they can be connected to this unit's S VIDEO jacks. Otherwise, connect the composite video input/output jacks of your video components to this unit's composite VIDEO input/output jacks.

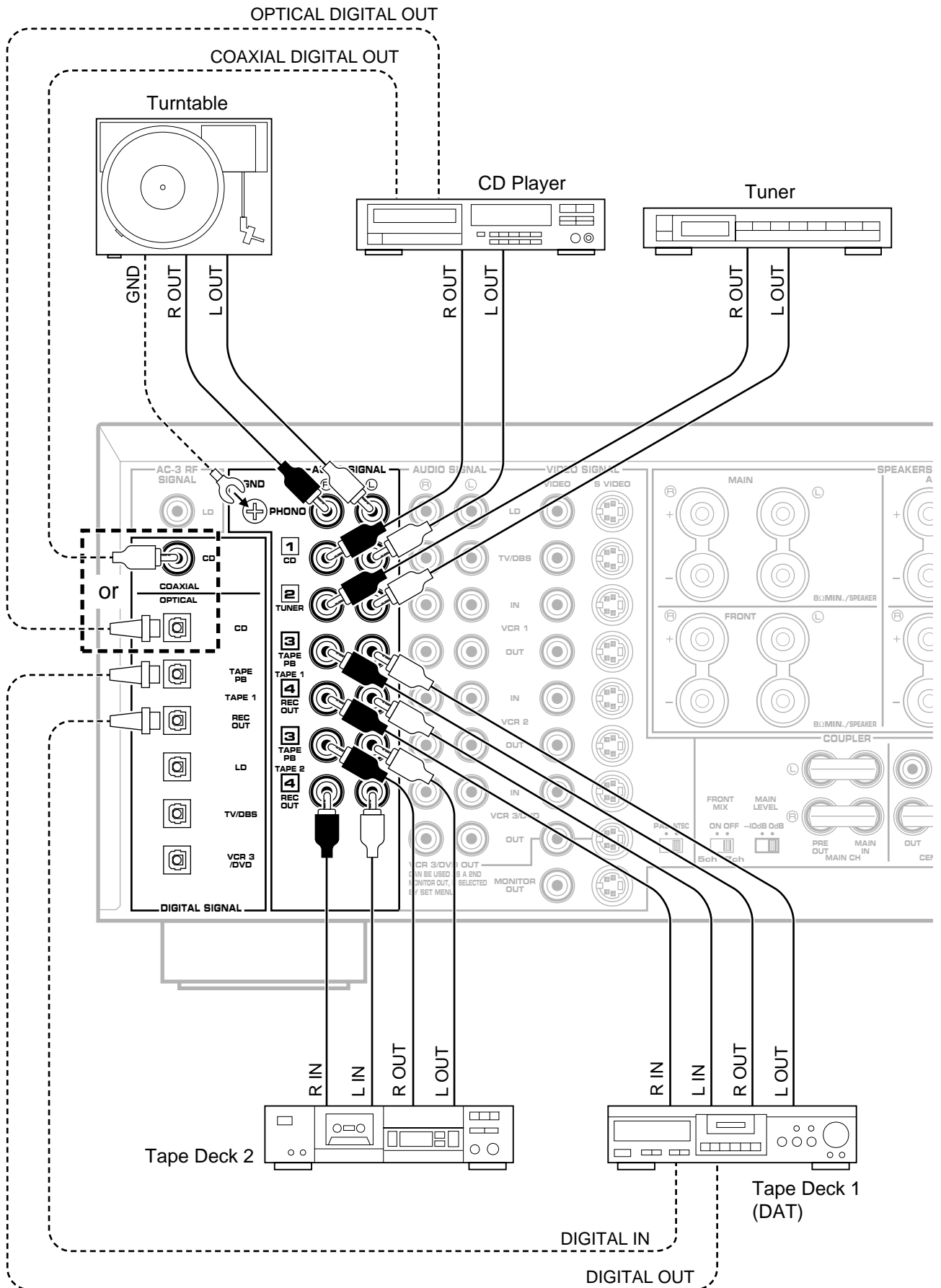


Note

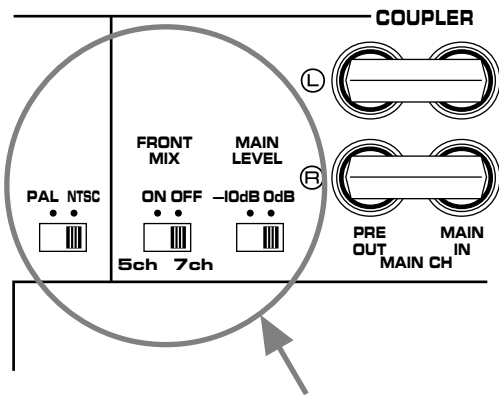
If you wish to connect a second monitor TV (or a projector) to this unit, you can switch the VCR 3/DVD VIDEO OUT jack (and S VIDEO jack also) to a second monitor out jack for the connection with another monitor TV. (See page 43 of the Owner's Manual for details.)



CONNECTING AUDIO COMPONENTS



Settings Of Switches On The Rear Panel



MAIN LEVEL Switch

Normally set to "0 dB". If desired, you can decrease the main-channel output level at the MAIN speaker terminals by 10 dB by setting this switch to "-10 dB".

FRONT MIX Switch

Set to "OFF (7ch)" when setting up a full 7 or 6 speaker system, or to "ON (5ch)" when setting up a 5 or 4 speaker system.

PAL/NTSC Switch (General Model Only)

Set this switch to the position corresponding to the video format that your video equipment employs.

Connecting External Power Amplifier(s)

If you wish to use an external power amplifier to drive speakers for any channel, connect the power amplifier to the corresponding line-level output jacks of this unit.

