



CD-C600

Compact Disc Player

Lecteur Compact Disc



OWNER'S MANUAL
MODE D'EMPLOI
BEDIENUNGSANLEITUNG
BRUKSANVISNING
MANUALE DI ISTRUZIONI
MANUAL DE INSTRUCCIONES
GEBRUIKSAANWIJZING
ИНСТРУКЦИЯ ПО ЭКСПЛУАТАЦИИ

CAUTION

Use of controls or adjustments or performance of procedures other than those specified herein may result in hazardous radiation exposure.

AVERTISSEMENT

L'utilisation de commandes et l'emploi de réglages ou de méthodes autres que ceux décrits ci-dessous, peuvent entraîner une exposition à un rayonnement dangereux.

VORSICHT

Die Verwendung von Bedienelementen oder die Einstellung bzw. die Ausführung von anderen als in dieser Anleitung beschriebenen Vorgängen kann zu Gefährdung durch gefährliche Strahlung führen.

OBSERVERA

Användning av reglage eller justeringar eller utförande av åtgärder på annat sätt än så som beskrivs häri kan resultera i farlig strålning.

ATTENZIONE

L'uso di controlli, regolazioni, operazioni o procedure non specificati in questo manuale possono risultare in esposizione a radiazioni pericolose.

PRECAUCIÓN

El uso de los controles, los ajustes o los procedimientos que no se especifican en este manual pueden causar una exposición peligrosa a la radiación.

LET OP

Gebruik van bedieningsorganen, instellingen of procedures anders dan beschreven in dit document kan leiden tot blootstelling aan gevaarlijke stralen.

ЕРЕЖЕНИЕ

Использование органов управления или произведение настроек или выполнение процедур, не указанных в данной инструкции, может отразиться на выделении опасной радиации.

CAUTION

VISIBLE AND INVISIBLE LASER RADIATION WHEN OPEN. AVOID EXPOSURE TO BEAM.

ADVARSEL

SYNLIG OG USYNLIG LASERSTRÅLING VED ÅBNING. UNNGÅ UDSÆTTELSE FOR STRÅLING.

ADVARSEL

SYNLIG OG USYNLIG LASERSTRÅLING NÅR DEKSEL ÅPNES. UNNGÅ EKSPONERING FOR STRÅLEN.

WARNING

SYNLIG OCH OSYNLIG LASERSTRÅLNING NÄR DENNA DEL ÄR ÖPPNAD. BETRakta EJ STRÅLEN.

VARO!

AVATTAESSA OLET ALTTIINA NÄKYVÄLLE JA NÄKYMÄTTÖMÄLLE LASER SÄ TEILYLLE. ÄLÄ KATSO SÄTEESEEN.

VORSICHT

SICHTBARE UND UNSICHTBARE LASERSTRAHLUNG WENN ABDECKUNG GEÖFFNET. NICHT DEM STRAHL AUSSETZEN.

DANGER

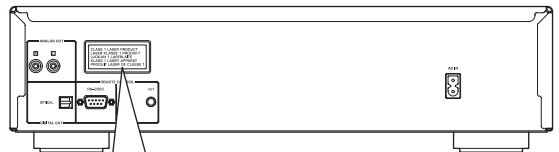
VISIBLE AND INVISIBLE LASER RADIATION WHEN OPEN. AVOID DIRECT EXPOSURE TO BEAM.

ATTENTION

RAYONNEMENT LASER VISIBLE ET INVISIBLE EN CAS D'OUVERTURE. EXPOSITION DANGEREUSE AU FAISCEAU.

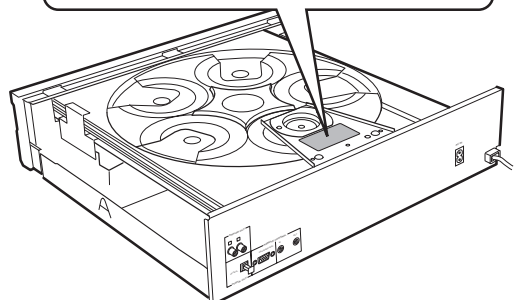
ПРЕДУПРЕЖДЕНИЕ

ПРИ ОТКРЫТИИ УСТРОЙСТВА ВЫ МОЖЕТЕ ПОДВЕРГНУТЬСЯ ВОЗДЕЙСТВИЮ ВИДИМОГО И НЕВИДИМОГО ЛАЗЕРНОГО ИЗЛУЧЕНИЯ. ИЗБЕГАЙТЕ ВОЗДЕЙСТВИЯ ЛУЧА.



CLASS 1 LASER PRODUCT
LASER KLASSE 1 PRODUKT
LUOKAN 1 LASERLAITE
KLASS 1 LASER APPARAT
PRODUIT LASER DE CLASSE 1

CAUTION	- VISIBLE AND / OR INVISIBLE LASER RADIATION WHEN OPEN. AVOID EXPOSURE TO BEAM.
VARNING	- SYNLIG OCH / ELLER OSYNLIG LASERSTRÅLNING NÄR DENNA DEL ÄR ÖPPNAD. STRÅLEN ÄR FARLIG.
VARO!	AVATTAESSA OLET ALTTIINA NÄKYVÄLLE JA / TAI NÄKYMÄTTÖMÄLLE LASERSÄTEILYLLE. ÄLÄ KATSO SÄTEESEEN.
VARNING	- SYNLIG OCH / ELLER OSYNLIG LASERSTRÅLNING NÄR DENNA DEL ÄR ÖPPNAD. BETRakta EJ STRÅLEN.
VORSICHT!	SICHTBARE UND / ODER UNSICHTBARE LASERSTRAHLUNG WENN ABDECKUNG GEÖFFNET. NICHT DEM STRAHL AUSSETZEN.
ATTENTION	- RADIATION VISIBLE ET / OU INVISIBLE LORSQUE L'APPAREIL EST OUVERT. EVITEZ TOUTE EXPOSITION AU FAISCEAU.



VAROITUS

Muiden kuin tässä esitettyjen toimintojen säädön tai asetusten muutto saattaa altistaa vaaralliselle säteilylle tai muille vaarallisille toiminnoille.

DK

Advarsel: Usynlig laserstråling ved åbning når sikkerhedsafbrydere er ude af funktion. Undgå udsættelse for stråling.

Bemærk: Netafbryderen POWER er sekundært indkoblet og afbryder ikke strømmen fra nettet. Den indbyggede netdel er derfor tilsluttet til lysnettet så længe netstikket sidder i stikkontakten.

N

Observer: Netbryteren POWER er sekundært innkoplet. Den innebygdenetdelen er derfor ikke frakoplet nettet så lenge apparatet er tilsluttet nettkontakten.

S

Klass 1 laseraparat

Varning! Om apparaten används på annat sätt än i denna bruksanvisning specificerats, kan användaren utsättas för osynlig laserstrålning, som överskrider gränsen för laserklass 1.

Observera! Strömbrytaren POWER är sekundärt kopplad och inte bryter inte strömmen från nätet. Den inbyggda nätdelen är därför ansluten till elnätet så länge stickproppen sitter i vägguttaget.

SF

Luokan 1 laserlaite

Varoitus! Laitteen käyttäminen muulla kuin tässä käyttöohjeessa mainitulla tavalla saattaa altistaa käyttäjän turvallisuusluokan 1 ylittävälle näkymättömälle lasersäteilylle.

Oikeus muutoksiin varataan. Laite ei saa olla alttiina tippu- ja roiskevedelle.

Huom. Toiminnanvalitsin POWER on kytketty toisiopuolelle, eikä se kytke laitetta irti sähköverkosta. Sisäänrakennettu verkko-osa on kytkettynä sähköverkkoon aina silloin, kun pistoke on pistorasiassa.

VARO!

AVATTAESSA JA SUOJALUKITUS
OHITETTAESSA OLET ALTTIINA
NÄKYMÄTTÖMÄLLE LASERSÄTEILYLLE.
ÄLÄ KATSO SÄTEESEEN.

WARNING!

OSYNLIG LASERSTRÅLNING NÄR DENNA DEL
ÄR ÖPPNAD OCH SPÄRREN ÄR URKOPPLAD.
BETRAKTA EJ STRÅLEN.

CAUTION: READ THIS BEFORE OPERATING YOUR UNIT.

- 1 To assure the finest performance, please read this manual carefully. Keep it in a safe place for future reference.
- 2 Install this sound system in a well ventilated, cool, dry, clean place – away from direct sunlight, heat sources, vibration, dust, moisture, and/or cold. For proper ventilation, allow the following minimum clearances.
Top: 2.5 cm (1 inch)
Rear: 2.5 cm (1 inch)
Sides: 2.5 cm (1 inch)
- 3 Locate this unit away from other electrical appliances, motors, or transformers to avoid humming sounds.
- 4 Do not expose this unit to sudden temperature changes from cold to hot, and do not locate this unit in an environment with high humidity (i.e. a room with a humidifier) to prevent condensation inside this unit, which may cause an electrical shock, fire, damage to this unit, and/or personal injury.
- 5 Avoid installing this unit where foreign objects may fall onto this unit and/or this unit may be exposed to liquid dripping or splashing. On the top of this unit, do not place:
 - Other components, as they may cause damage and/or discoloration on the surface of this unit.
 - Burning objects (i.e. candles), as they may cause fire, damage to this unit, and/or personal injury.
 - Containers with liquid in them, as they may fall and liquid may cause electrical shock to the user and/or damage to this unit.
- 6 Do not cover this unit with a newspaper, tablecloth, curtain, etc. in order not to obstruct heat radiation. If the temperature inside this unit rises, it may cause fire, damage to this unit, and/or personal injury.
- 7 Do not plug in this unit to a wall outlet until all connections are complete.
- 8 Do not operate this unit upside-down. It may overheat, possibly causing damage.
- 9 Do not use force on switches, knobs and/or cords.
- 10 When disconnecting the power cable from the wall outlet, grasp the plug; do not pull the cable.
- 11 Do not clean this unit with chemical solvents; this might damage the finish. Use a clean, dry cloth.
- 12 Only voltage specified on this unit must be used. Using this unit with a higher voltage than specified is dangerous and may cause fire, damage to this unit, and/or personal injury. Yamaha will not be held responsible for any damage resulting from use of this unit with a voltage other than specified.
- 13 To prevent damage by lightning, keep the power cord disconnected from a wall outlet or the unit during a lightning storm.
- 14 Do not attempt to modify or fix this unit. Contact qualified Yamaha service personnel when any service is needed. The cabinet should never be opened for any reasons.
- 15 When not planning to use this unit for long periods of time (i.e. vacation), disconnect the power cable from the wall outlet.
- 16 Install this unit near the wall outlet and where the power cable can be reached easily.
- 17 Be sure to read the “TROUBLESHOOTING” section in this manual on common operating errors before concluding that this unit is faulty.
- 18 Before moving this unit, press ϕ to turn off this unit and then disconnect the power cable from the wall outlet.
- 19 The batteries shall not be exposed to excessive heat such as sunshine, fire or like.
- 20 **VOLTAGE SELECTOR** (Asia and General models only)
The **VOLTAGE SELECTOR** on the rear panel of this unit must be set for your local main voltage **BEFORE** plugging into the wall outlet. Voltages are:
.....AC 110/120/220/230-240 V, 50/60 Hz

Caution for moving this unit

- When moving this unit, first remove all discs from the disc tray and close the tray by pressing the OPEN/CLOSE button, and then switch off the power after you confirm that the front panel display indicates as follows.

NO DISC

Never switch off the power if the front panel display is not pictured as above, otherwise the unit will break down during moving because the internal mechanism is not locked.

As long as this unit is connected to the wall outlet, it is not disconnected from the AC power source even if you turn off this unit by ϕ .

WARNING

TO REDUCE THE RISK OF FIRE OR ELECTRIC SHOCK, DO NOT EXPOSE THIS UNIT TO RAIN OR MOISTURE.

LASER SAFETY

This unit employs a laser. Due to possible eye injury, only a qualified service person should remove the cover or attempt to service this device.

DANGER

This unit emits visible laser radiation when open. Avoid direct eye exposure to beam. When this unit is plugged into the wall outlet, do not place your eyes close to the opening of the disc tray and other openings to look into inside.

The laser component in this product is capable of emitting radiation exceeding the limit for Class 1.

■ For U.K. customers

If the socket outlets in the home are not suitable for the plug supplied with this appliance, it should be cut off and an appropriate 3 pin plug fitted. For details, refer to the instructions described below.

Note

The plug severed from the mains lead must be destroyed, as a plug with bared flexible cord is hazardous if engaged in a live socket outlet.

■ Special Instructions for U.K. Model

IMPORTANT

THE WIRES IN MAINS LEAD ARE COLOURED IN ACCORDANCE WITH THE FOLLOWING CODE:

Blue: NEUTRAL
Brown: LIVE

As the colours of the wires in the mains lead of this apparatus may not correspond with the coloured markings identifying the terminals in your plug, proceed as follows:

The wire which is coloured BLUE must be connected to the terminal which is marked with the letter N or coloured BLACK. The wire which is coloured BROWN must be connected to the terminal which is marked with the letter L or coloured RED.

Making sure that neither core is connected to the earth terminal of the three pin plug.

CONTENTS

INTRODUCTION

CONTROLS AND FUNCTIONS	2
Front panel.....	2
Rear panel connections.....	4
Remote control.....	5

OPERATION

LOADING AND PLAYING DISCS	8
Program playback[Audio CD].....	8
PLAYXCHANGE.....	8
PLAYING BACK iPod/USB DEVICE.....	9
Connecting iPod/USB devices.....	9
Playing back iPod.....	9
Playing back USB devices.....	9
Disconnecting iPod/USB devices.....	10
Supported iPod/USB devices.....	10

ADDITIONAL INFORMATION

PLAYABLE DISC AND FILE FORMAT	11
USING THE ADVANCED SETUP	13
TROUBLESHOOTING.....	14
SPECIFICATIONS	15

■ Features

- 5-Discs Carousel Auto-changer
- Full Opening Disc Tray for Changing 5 Discs at a Time
- PLAYXCHANGE; Disc Changing Capability while Playing back Another
- Optical Digital Output
- CD-R, CD-RW Disc Playability
(For details, refer to page 11.)
- MP3, WMA Disc Playability
- MP3, WMA File Playability Stored on USB Device
(For details, refer to page 11.)
- iPod Playability
- Program Play (Audio CD only)
- Random-Sequence Play (except iPod)
- Single Track/File, Entire Disc/Folder/Whole device Repeat Play
- Repeat A-B Play (Audio CD only)
- Adjustable Display Information and Brightness
- PURE DIRECT Function

■ Supplied accessories

Please check that you have received all of the following parts.

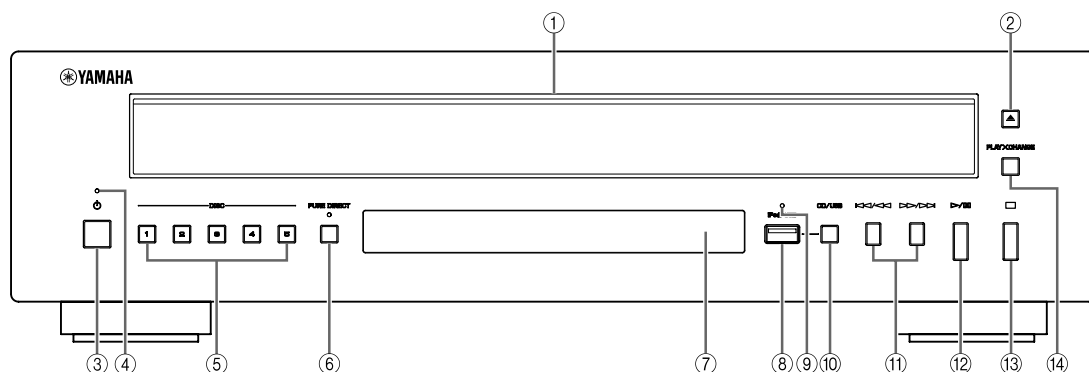
- Power cable
- Remote control
- Batteries (AA, R6, UM-3) (×2)
- RCA stereo cable

■ About this manual

- ☞ indicates a tip for your operation.
- In this manual, audio CDs are referred to as “Audio CD”, MP3/WMA discs as “Data Disc”, and MP3/WMA files stored on the USB device as “USB”.
- The **Audio CD**, **Data Disc** and **USB** icons indicate music data formats that can be used in the operation.
- This manual is printed prior to production. Design and specifications are subject to change in part as a result of improvements, etc. In case of differences between the manual and the product, the product has priority.

CONTROLS AND FUNCTIONS

Front panel




① Disc tray

Loads a disc.

② (Open/Close)

Opens or closes the disc tray. For loading and unloading discs, see page 8.

③ (Power)

Press  inward to the ON position to turn on the power.



- The power indicator above lights up when this unit is turned on.
- You can turn this unit to a standby status with STNDBY/ON on the remote control.
- This unit is equipped with the Auto standby function. By turning on the function, this unit turns to the standby mode automatically when disc playback is stopped for 30 minutes. For details, see page 13.

④ Power indicator

Lights up as follows:

ON: Bright

Standby mode: Dark

OFF: Off

⑤ DISC (1-5)

Selects a desired disc and starts playback.

⑥ PURE DIRECT

Turns on or off the PURE DIRECT mode to improve audio quality.



- The PURE DIRECT indicator lights up.
- The digital output is turned off.
- The front panel display is turned off during playback and only the minimum required indicators and messages are displayed during in the operation.

Note

Connect using the ANALOG OUT terminals when you use PURE DIRECT mode (refer to page 4).

⑦ Remote control sensor

Receives signals from the remote control.

⑧ iPod/USB port

Connect your iPod or USB device. See page 9 for details.

⑨ iPod/USB indicator

Off: CD mode is selected.

Orange: Connection ready.

Green: iPod/USB is connected and playable files have been detected (playback ready).

⑩ CD/USB



Switches between CD mode and iPod/USB mode. See page 9.







When the iPod/USB indicator is not lit, this unit is in the CD mode.


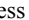

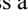
⑪ / (Skip/Search backward),

/ (Skip/Search forward)

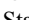

 / : Skips to the next track.

 / : Skips back to the beginning of the current track.

 /  (twice): Skips to the previous track.

Press and hold  /  or  /  to search backward/forward.

⑫ (Play) / (Pause)

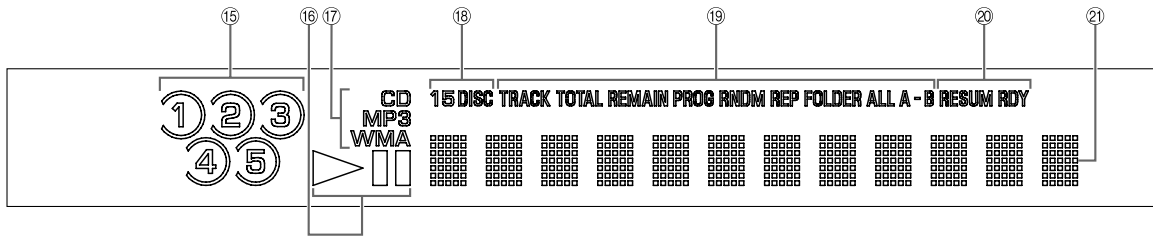
Starts or pauses playback. Press  /  again to resume playback.

⑬ (Stop)

Stops playback.

⑭ PLAYXCHANGE

Opens the disc tray during playback without interrupting disc playback. See page 8 for details.



⑮ Disc select indicator

The numbers corresponding to the trays containing discs light up. The enclosed number indicates the currently selected disc.

Note

The number corresponding to an empty tray may light up before the tray is selected. When the disc tray is closed after loading/replacing discs, this unit searches discs starting from tray 1. During the search, the tray numbers corresponding to empty trays go off. When a disc is detected, the searching finishes there and the remaining trays are left unsearched.

⑯ Playback status Indicator

Lights up when this unit is in the play or pause mode.

⑰ Source type indicator

Indicates the type of content being played back.

⑱ Play mode indicator

Indicates the selected disc play mode (1DISC or 5DISC). See “MODE” (page 5) for details.

⑲ Time and playback mode indicator

Indicates the current playback mode and the status of the time display (see pages 5 and 8 for playback modes, and page 6 for time display).

⑳ Advanced setup indicator

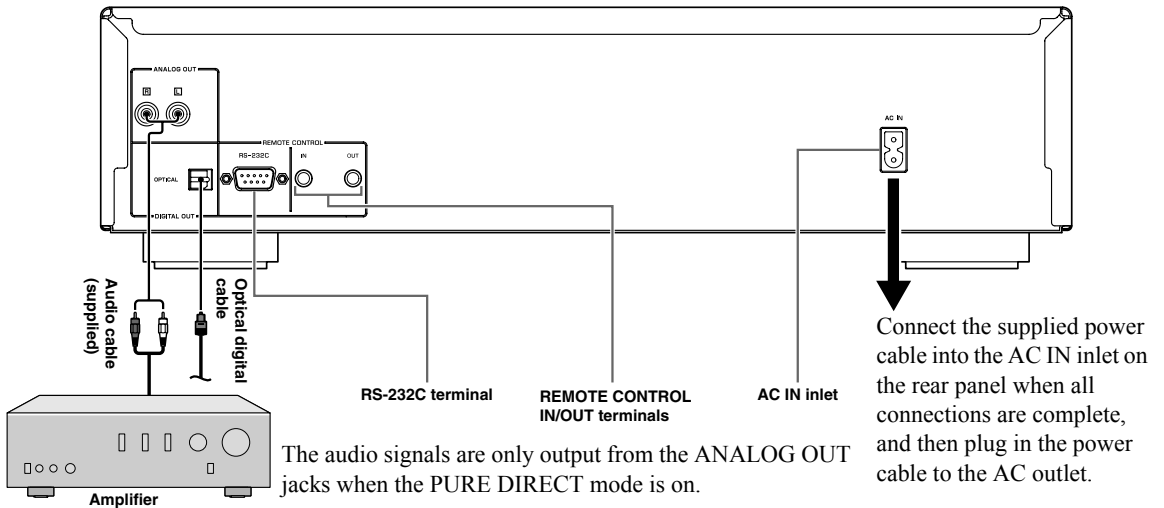
Indicates the enabled special modes. See “USING THE ADVANCED SETUP” (page 13) for details.

㉑ Multi-information display

Rear panel connections

CAUTION

Before making any connection, switch OFF the power to the unit, the amplifier and any other component.



■ VOLTAGE SELECTOR (Asia and General models only)

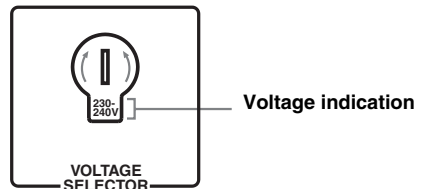
Voltagess are as follows:

.....AC 110/120/220/230-240 V, 50/60 Hz

CAUTION

The VOLTAGE SELECTOR on the rear panel of this unit must be set for your local voltage BEFORE plugging the power cable into the AC wall outlet. Improper setting of the VOLTAGE SELECTOR may cause damage to this unit and create a potential fire hazard.

Rotate the VOLTAGE SELECTOR clockwise or counterclockwise to the correct position using a straight slot screwdriver.



For Custom Installer

■ REMOTE CONTROL IN/OUT terminals

These terminals are used for custom installation system. When this unit is connected to the components for custom installation system, you can operate this unit with the system remote control.

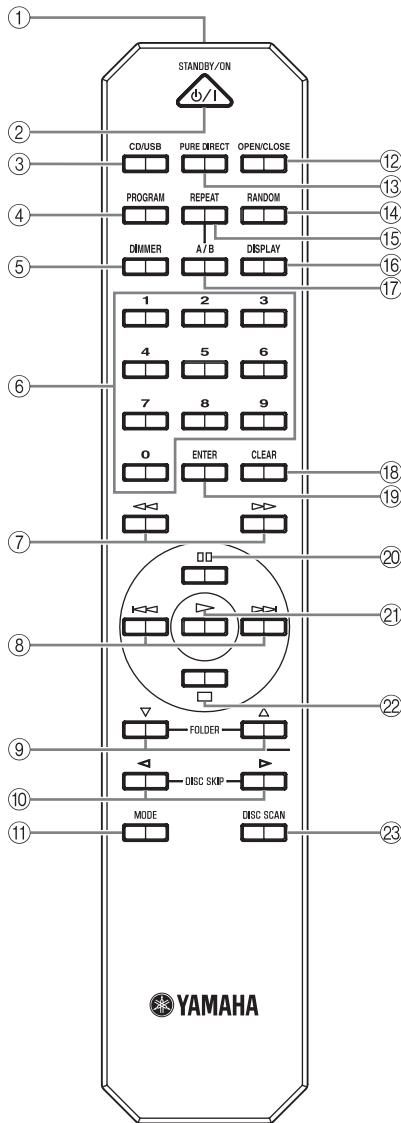
Connect the **REMOTE CONTROL IN** terminal of this unit to the output terminal of the central controller for custom installation system.

By connecting the **REMOTE CONTROL OUT** terminal of this unit to the input terminal for remote control of the other component, you can also operate it with the system remote control. In this way, up to 6 components can be connected in series.

■ RS-232C terminal

This unit is also equipped with an RS-232C terminal. Consult your dealer for details.

Remote control



① Infrared signal transmitter

Sends infrared signals to this unit.

② STANDBY/ON

Turns this unit on or to the standby mode while ϕ (Power) on the front panel is pressed inward to the ON position.

Note

You can operate this unit only when the ϕ (Power) on the front panel is pressed inward to the ON position.

③ CD/USB

Switches between CD mode and iPod/USB mode (see page 9).



This setting is retained even if you turn off this unit.

④ PROGRAM

Turns on or off the program playback mode. See “Program playback” on page 8.

⑤ DIMMER

Each time you press DIMMER, the brightness level changes by 4 levels.



This setting is retained even if you turn off this unit.

⑥ Numeric buttons

Use to select directly a track on the disc or a file in the current folder.

⑦ \lll (Search backward), \ggg (Search forward)

Searches tracks backward/forward while the button is pressed.

⑧ \lll (Skip backward), \ggg (Skip forward)

\ggg : Skips to the next track.

\lll : Skips back to the beginning of the current track.

\lll (twice): Skips to the previous track.

⑨ FOLDER ∇ (Folder down), \triangle (Folder up)

Data Disc **USB**

∇ : Skips to the previous folder.

\triangle : Skips to the next folder.

Refer to page 9 for details.

⑩ DISC SKIP \triangleleft (Previous disc), \triangleright (Next disc)

Skips to the previous/next disc.

⑪ MODE

Switches the disc play mode between 1DISC mode and 5DISC mode.

In 1DISC mode, only the selected disc is played back.

In 5DISC mode, all discs on the tray are played back in sequence.

⑫ OPEN/CLOSE

Opens or closes the disc tray. You can load or replace five discs at a time. See page 8 for details.

⑬ PURE DIRECT

Turns on or off the PURE DIRECT mode to improve audio quality. See page 2 for details.



This setting is retained even if you turn off this unit.

⑭ RANDOM

Turns on or off the random sequence playback mode.

Note

The random playback mode is canceled when the disc is ejected.

15 REPEAT

Repeats playback of a single track or all tracks. Each time you press REPEAT during playback, the repeat playback mode changes as follows:

- REP TRACK (single repeat playback): A single track is played back repeatedly.
- REP ALL (all repeat playback): All tracks (the entire disc) are played back repeatedly.

Data Disc **USB**

- REP FOLDER (folder repeat playback): All files (the entire folder) are played back repeatedly.

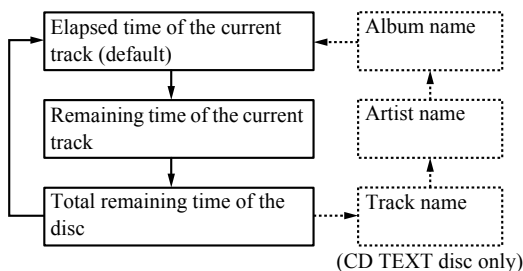


Repeat play also works with program play and random-sequence play.

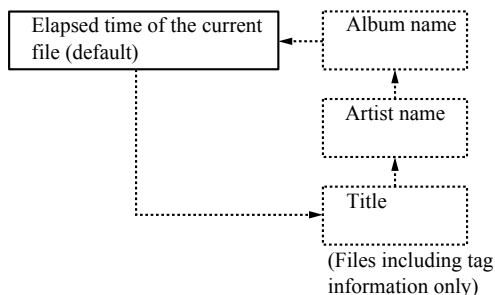
16 DISPLAY

Switches the time display. Each time you press DISPLAY during playback, the time display changes as follows:

Audio CD



Data Disc **USB**



17 A/B **Audio CD**

Repeats playback of a specified section of a track. To set the starting and end points (A and B), press A/B twice during playback.

To cancel repeat A-B, press A/B again.

Notes

- You cannot set repeat A-B from one track to another track.
- You cannot set repeat A-B for Data Disc and USB.
- If you stop playback by pressing (Stop), repeat A-B is canceled.
- You cannot use repeat A-B when this unit is in the PURE DIRECT mode.

18 CLEAR

Erases the programmed track.

19 ENTER

Confirms a track number entered when you are programming tracks.

20 (Pause)

Pauses playback. Press or to resume playback.

21 (Play)

Starts playback.

22 (Stop)

Stops playback.

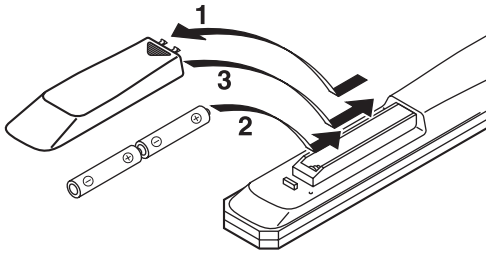
23 DISC SCAN

Scans loaded discs and plays a section of 10 seconds in each disc, allowing you to search for a desired disc. To cancel scanning and switch to the normal playback, press DISC SCAN again or press (Play).

Notes

- While scanning, the disc tray number being played back blinks in the display. The number stops blinking and lights up when playing back the disc is finished.
- If the disc being played back has a long blank space between tracks, you will hear no sound during disc scan.

■ Installing batteries in the remote control



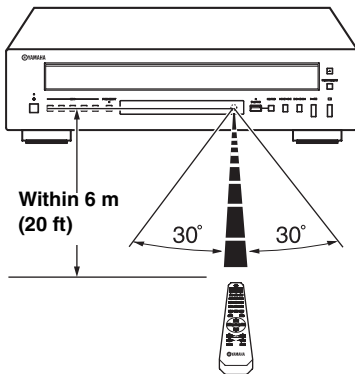
1 Press the ▼ part and slide the battery compartment cover off.

2 Insert the two supplied batteries (AA, R6, UM-3) according to the polarity markings (+ and -) on the inside of the battery compartment.

3 Slide the cover back until it snaps into place.

■ Using the remote control

The remote control transmits a directional infrared beam. Be sure to aim the remote control directly at the remote control sensor on the front panel of this unit during operation.



■ Notes on batteries

- Change all of the batteries if you notice that the operation range of the remote control decreases.
- Use AA, R6, UM-3 batteries.
- Make sure that the polarities are correct. See the illustration inside the battery compartment.
- Remove the batteries if the remote control is not used for an extended period of time.
- Do not use old batteries together with new ones.
- Do not use different types of batteries (such as alkaline and manganese batteries) together. Read the packaging carefully as these different types of batteries may have the same shape and color.
- If the batteries have leaked, dispose of them immediately. Avoid touching the leaked material or letting it come into contact with clothing, etc. Clean the battery compartment thoroughly before installing new batteries.
- Do not throw away batteries with general house waste; dispose of them correctly in accordance with your local regulations.

■ Handling the remote control

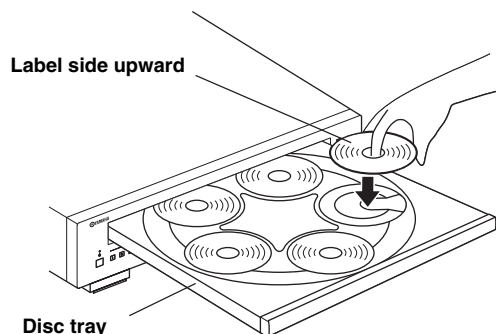
- The area between the remote control and this unit must be clear of large obstacles.
- Do not spill water or other liquids on the remote control.
- Do not drop the remote control.
- Do not leave or store the remote control in the following types of conditions:
 - places of high humidity, such as near a bath
 - places of high temperature, such as near a heater or a stove
 - places of extremely low temperatures
 - dusty places
- Do not expose the remote control sensor to strong lighting, in particular, an inverter type fluorescent lamp; otherwise, the remote control may not work properly. If necessary, position this unit away from direct lighting.

LOADING AND PLAYING DISCS

You can load or replace five discs at a time.

1 Press OPEN/CLOSE to open the disc tray and load discs.

Use the disc guides to align the discs correctly in the tray.



Note

To play back an 8 cm (3 inch) CD, place it in the inner recessed area of the disc tray. Do not put a normal (12 cm (5 inch)) CD on top of an 8 cm CD.

2 Press OPEN/CLOSE to close the disc tray.

3 Press MODE to select a desired disc play mode (1DISC or 5DISC) confirming it on the display.

1DISC: Only the selected disc is played back.
5DISC: All discs on the tray are played back in sequence.

4 Press ▷ (Play) to start playback from the first track or file of disc 1.

5 (If necessary) Select a desired disc by using DISC SKIP ◀ / ▶, or a DISC (1-5) button on the front panel.

Program playback **Audio CD**

In the program playback mode, you can play back tracks in a programmed sequence.

Notes

- You can program and play back tracks in any order from all of the loaded discs (1-5).
- The programmed tracks are erased when the disc is ejected, this unit is turned off, or this unit is turned to the standby mode.

1 Press PROGRAM while playback is stopped.

This unit is set to the program editing mode.

2 Select a disc with one of the DISC (1-5) buttons on the front panel or DISC SKIP ◀ / ▶ on the remote control.

3 Select a track by using the numeric buttons and ENTER.

4 Repeat steps 2 and 3 to program the next track.

You can program up to 24 tracks.



To cancel the programmed track, press CLEAR.

5 Press ▷.

Playback starts from the beginning of the programmed sequence.



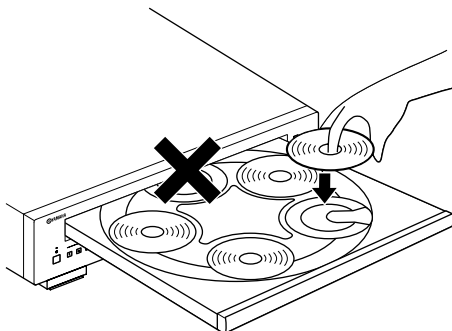
To erase all programmed tracks, press CLEAR when the playback is stopped.

PLAYXCHANGE

PLAYXCHANGE is a function that allows you to replace discs during disc playback without interrupting it. Press the PLAYXCHANGE button on the front panel to open the disc tray and replace discs.

CAUTION

Never try to load a disc in the position marked x in the figure below. This may cause damage to the unit and the disc, because that is where the disc being played back is located.



Note

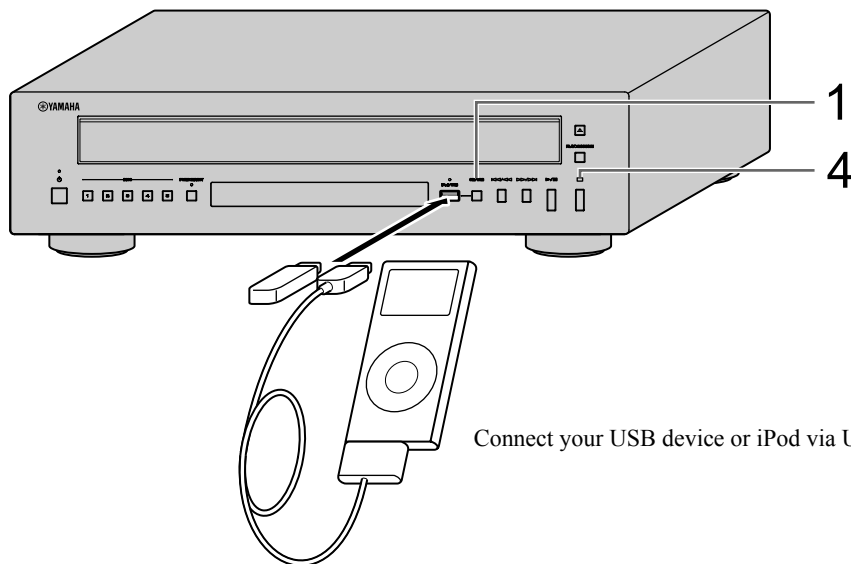
DISC SKIP buttons do not work while the disc tray is open.

PLAYING BACK iPod/USB DEVICE

Connecting iPod/USB devices

Notes iPod

- Use the USB cable supplied with your iPod. If no USB cable is supplied, purchase one from Apple Inc.
- Turn off your iPod.
- Do not use a USB hub.



Playing back iPod

1 Press CD/USB to select the iPod/USB mode.

The iPod/USB indicator on the front panel lights up in orange, then changes to green when playback is ready.

2 Start playback.

Operate your iPod to start playback, select a track, pause, and stop playback.



You can also use the following buttons: ▷ (Playback), || (Pause), □ (Stop), ◀◀ (Skip backward), ▶▶ (Skip forward), ◀◀ (Search backward), and ▶▶ (Search forward) on this unit or Remote Control.

Note

iPod may not function properly with this unit if software on iPod is not updated. Be sure to use the latest version of iPod software.

Playing back USB devices

1 Press CD/USB to select the iPod/USB mode.

The iPod/USB indicator on the front panel lights up.

2 Start playback.

Filename is displayed in the front panel display and playback starts automatically in order by date and time of creation if playable files are in the USB device.

3 Select a track.

Press FOLDER ▽/△ on the remote control to select a folder, and then press ◀◀/▶▶ or numeric buttons to select a track.

4 Stop playback.

Press □ (Stop).

See page 11 for more information on MP3/WMA playback.

Disconnecting iPod/USB devices

Stop playback, and then disconnect your iPod or USB device. It is recommended that you press CD/USB to switch to the CD mode, confirm that the CD/USB indicator goes off, and then disconnect your iPod/USB device.

CAUTION

Do not disconnect your iPod or USB device while playing back from the connected device, or while “USB READING” appears in the front panel display.

Supported iPod/USB devices

■ Supported iPod models

- iPod classic (including 120GB model)
- iPod nano (2nd, 3rd and 4th generations)
- iPod touch (1st and 2nd generations)

(as of April 2009)

Notes

- iPod is licensed on the condition that individuals perform privately duplication and playback of uncopyrighted material or material legally approved of duplication and playback. Infringement of copyright is prohibited by law.
- Yamaha and suppliers accepts no liability for the loss of data saved on iPod connected to this unit. As a precaution, it is recommended that the files are made backup copies.

■ Supported USB devices

This unit supports USB mass storage class devices (e.g., flash memories, card readers or portable audio players) that use FAT16 or FAT32 format.

Notes

- Some devices may not work properly even if they meet the requirements.
- This unit does not support encrypted USB memory devices.
- Do not connect devices other than USB mass storage class devices: USB chargers, USB hubs, PCs, external HDD, etc.
- When you insert two or more memory cards at the same time into a card reader connected to the iPod/USB port on this unit, only one of the memory cards is recognized.
- Yamaha and suppliers accepts no liability for the loss of data saved on the USB devices connected to this unit. As a precaution, it is recommended that the files are made backup copies.
- Playability of and power supply to all kinds of USB devices are not guaranteed.

PLAYABLE DISC AND FILE FORMAT

■ Playable MP3 and WMA files (USB device and Data Disc)

MP3

Format	Bitrate (kbps)	Sampling frequency (kHz)
MPEG 1 Audio Layer-3	32-320 *	32/44.1/48
MPEG 2 Audio Layer-3, 2	8-160 *	16/22.05/24
MPEG-2.5 Audio Layer-2	8-160 *	8/11.025/12

* Variable bitrate is also supported.

WMA

- Version 8
- Version 9 (Standard and variable bitrates are supported. Professional and Lossless are not supported.)

Profile	Bitrate (kbps)	Sampling frequency (kHz)
High Profile	32-320 *	32/44.1/48
Mid Profile	16-32	16/22.05

* Variable bitrate is also supported.

Notes

- Playback for Data Disc starts in alphanumeric order.
- Playback for USB starts in order by date and time of creation.
- Copyright-protected WMA (DRM) files cannot be played back by this unit.
- The disc must be ISO 9660 compatible.
- Elapsed time may not be displayed correctly while playing back variable bitrate contents.

	Data Disc	USB
Maximum file number	999	32767
Maximum folder number	256	256
Maximum file number per folder	512	512

■ Playable discs

Use compact discs bearing the marks below.



.... Compact discs (digital audio)



.... CD-R, CD-RW digital audio discs

- CD-R or CD-RW discs bearing one of the following phrases.
FOR CONSUMER USE
FOR MUSIC USE ONLY
- Finalized CD-R or CD-RW discs.



Note

This compact disc player may not be able to play some CD-R/CD-RW discs or discs on which recording was not made correctly.



.... CD-TEXT discs

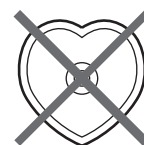
- The disc title, artist name, and track name are also displayed in addition to the time displays when playing back a CD with CD TEXT.

To play back an 8-cm (3-inch) CD

Place it in the inner recessed area of the disc tray. Do not put a normal (12-cm) CD on top of an 8-cm (3-inch) CD.

To prevent a malfunction of this unit:

- Do not use any nonstandard shaped disc (heart, etc.) available on the market because it might damage the unit.
- Do not use a disc with tape, stickers, or paste on it. If you use such a disc, the disc may get stuck in the unit, or damage to the unit may result.

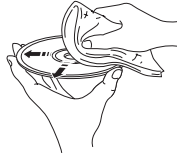


■ Handling compact discs

- Always handle with care so that the playing surface is not scratched. Do not warp discs.



- To keep clean the playing surface, wipe with a clean, dry cloth. Do not use any type of disc cleaner, spray, or any other chemical-based liquid.
- Do not wipe with a circular motion; wipe straight outward from the center.



- Use a soft-tipped pen when writing on the label side of the disc.
- When a disc is not being used, remove it from this unit and store in an appropriate case.
- Do not expose discs to direct sunlight, high temperature or high humidity for a long time.

USING THE ADVANCED SETUP

This unit is equipped with the following four special modes, which may be useful for special purposes at stores or offices.

Note

The special mode functions are incompatible with iPod.

Play mode memory

Retains the current playback mode (REPEAT and RANDOM) after turning off the power, saving the time of setting the playback mode again each time you turn on the power.

The track number is also retained so playback starts with the same track automatically when you turn on the power again.

The RESUM indicator in the front panel display lights up when enabled.

Ready mode

Pauses playback after each track, allowing you to start the next track at any desired timing.

The RDY indicator in the front panel display lights up when enabled.

RS-232C ON/OFF

Turns on or off the RS-232C terminal on the rear panel.

Turn it on when you use the RS-232C feature.

This mode is disabled with shipment.

Auto standby mode

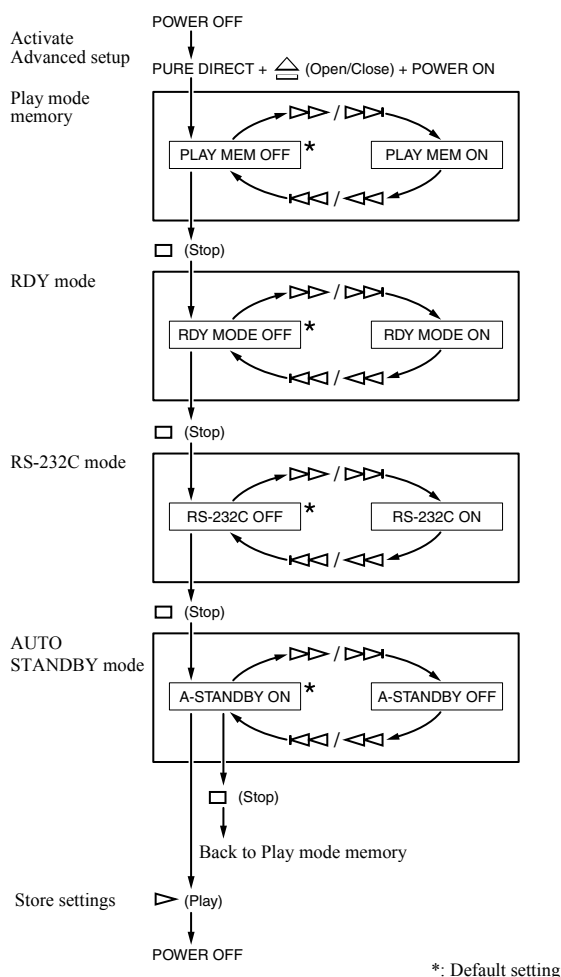
When this function is enabled, this unit turns to the standby mode automatically if any of the following conditions lasts for 30 minutes:

- 1) CD playback is stopped while in the CD mode (including when no disc or unsupported disc is loaded).
- 2) CD playback is in a pause position.
- 3) No USB device is connected while in the iPod/USB mode.
- 4) Unsupported USB device is connected while in the iPod/USB mode (iPod/USB indicator remains lit in orange).

Note

This unit does not turn to the standby mode automatically when a supported USB device or iPod is connected (when iPod/USB indicator is lit in green).

To activate and configure Advanced setup, follow the steps below. Use the buttons on the front panel.



Next time you turn on the power, the unit turns on with the settings that you specified above.

TROUBLESHOOTING

If the unit fails to operate normally, check the following points to determine whether the problem can be corrected by the simple measures suggested. If it cannot be corrected, or if the problem is not listed in the Problems column, disconnect the power cable and contact your authorized Yamaha dealer or service center for help.

Problems	Possible Causes	Solutions	Refer to page
This unit fails to turn on.	The power cable is not connected to the AC IN inlet on the rear panel or not plugged in the wall outlet.	Connect the power cable firmly.	4
This unit suddenly turns off.	Auto standby mode is set to on.	Set the auto standby mode to off.	13
The disc tray does not close completely.	A foreign object is obstructing the tray.	Carefully check the disc tray and remove the foreign object.	—
Disc playback does not start or a disc number does not light upon display.	The disc is damaged.	Check the disc carefully; replace it if necessary.	—
	There is moisture on the laser pickup.	Wait 20 to 30 minutes after turn on this unit ON before trying to play back a disc.	—
	The disc is loaded upside down.	Reload the disc with the label side up.	—
	The disc is dirty.	Clean the disc.	13
	The format of the MP3 or WMA file is not compatible with this unit.	Replace the disc with a correctly recorded disc playable with this unit.	13
	The CD-RW (ReWritable) disc is not recorded correctly.	Replace the disc with a correctly recorded disc playable with this unit.	13
	The disc is a non-standard disc not playable with this unit.	Replace the disc with a correctly recorded disc playable with this unit.	13
	This unit is in iPod/USB mode.	Switch to disc mode by pressing CD/USB.	2
iPod playback does not start though iPod is connected.	The connected iPod is not compatible with this unit.	Connect an iPod compatible with this unit. The compatible iPod are as follows: <ul style="list-style-type: none"> • iPod classic (including 120GB model) • iPod nano (2nd, 3rd and 4th generations) • iPod touch (1st and 2nd generations) (As of April 2009)	10
	This unit is in disc mode.	Switch to iPod/USB mode by pressing CD/USB.	9
USB playback does not start.	Improper USB device connections.	Connect the iPod/USB device again.	9
	The format of the MP3 or WMA file is not compatible with this unit.	Replace the file with a correctly recorded file playable with this unit.	11
	This unit is in disc mode.	Switch to iPod/USB mode by pressing CD/USB.	9
Playback is delayed, or begins at the wrong place.	The disc may be scratched or damaged.	Check the disc carefully; replace it if necessary.	11
No sound.	Improper output cable connections.	Connect the cables properly. If the problem persists, the cables may be defective.	4
	Improper amplifier operation.	Set the amplifier controls to the correct input selection.	—
Sound of a component connected to the DIGITAL OUT jacks is not played.	PURE DIRECT is turned on.	Turn PURE DIRECT off. Or make an analog connection.	2

Problems	Possible Causes	Solutions	Refer to page
Sound “skips”.	This unit is being subjected to vibrations or impacts.	Relocate this unit.	—
	The disc is dirty.	Clean the disc.	11
Sound “hums”.	Improper cable connections.	Securely connect the audio cables. If the problem persists, the cables may be defective.	4
Noise from a nearby tuner.	The tuner is too close to this unit.	Move the tuner and this unit farther apart or turn off this unit.	—
Noise from inside of the disc tray.	The disc may be warped.	Replace the disc.	—
The remote control does not work or function properly.	Wrong distance or angle.	The remote control functions within a maximum range of 6 m (20 ft) and no more than 30 degrees off-axis from the front panel.	5
	Direct sunlight or lighting (from an inverter type of fluorescent lamp, etc.) is striking the remote control sensor of this unit.	Reposition this unit.	—
	The batteries are weak.	Replace all batteries.	5

SPECIFICATIONS

Audio Section

- Frequency response 2 Hz - 20 kHz, ± 0.5 dB
- Harmonic distortion + noise (1 kHz) 0.003 % or less
- S/N ratio 105 dB or more
- Dynamic range 96 dB or more
- Output voltage (1 kHz, 0 dB) 2.0 ± 0.3 V

Laser Diode Properties

- Material GaAlAs
- Wavelength 790 nm
- Laser Output max. $1.23 \mu\text{W}^*$

* This output is the value measured at a distance of about 200 mm from the objective lens surface on the Optical Pick-up Block.

iPod™

“iPod” is a trademark of Apple Inc., registered in U.S. and other countries.

“Made for iPod” means that an electronic accessory has been designed to connect specifically to iPod and has been certified by the developer to meet Apple performance standards.

Apple is not responsible for the operation of this device or its compliance with safety and regulatory standards.

General

- Power requirements
 - U.S.A. and Canada models AC 120 V, 60 Hz
 - Australia model AC 240 V, 50 Hz
 - Europe model AC 230 V, 50 Hz
 - Asia and General models AC 110-120/220-240 V, 50/60 Hz
- Operating temperature $+5$ °C to $+35$ °C ($+41$ °F to $+95$ °F)
- Power consumption 16 W
- Standby power consumption less than 0.5 W
- Dimensions (W × H × D) $435 \times 116 \times 405$ mm
- Weight 6.2 kg

Please note that all specifications are subject to change without notice.

ATTENTION : VEUILLEZ LIRE CE QUI SUIT AVANT D'UTILISER L'APPAREIL.

- 1 Pour utiliser l'appareil au mieux de ses possibilités, lisez attentivement ce mode d'emploi. Conservez-le soigneusement pour référence.
- 2 Installez cet ensemble audio dans un endroit bien ventilé, frais, sec et propre. Veillez à ce qu'il soit à l'abri de la lumière du soleil, des sources de chaleur, des vibrations, de la poussière, de l'humidité et du froid. Pour une ventilation correcte, ménagez les espaces minimums suivants:
Haut: 2,5 cm
Arrière: 2,5 cm
Côtés: 2,5 cm
- 3 Placez l'appareil loin des équipements, moteurs et transformateurs électriques, pour éviter les ronflements parasites.
- 4 N'exposez pas l'appareil à des variations brutales de température, ne le placez pas dans un environnement très humide (par exemple dans une pièce contenant un humidificateur) car cela peut entraîner la condensation d'humidité à l'intérieur de l'appareil qui elle-même peut être responsable de décharge électrique, d'incendie, de dommage à l'appareil ou de blessure corporelle.
- 5 Evitez d'installer l'appareil dans un endroit où des objets peuvent tomber, ainsi que là où l'appareil pourrait être exposé à des éclaboussures ou des gouttes d'eau. Sur le dessus de l'appareil, ne placez pas :
 - d'autres appareils qui peuvent endommager la surface de l'appareil ou provoquer sa décoloration.
 - des objets se consumant (par exemple, une bougie) qui peuvent être responsables d'incendie, de dommage à l'appareil ou de blessure corporelle.
 - des récipients contenant des liquides qui peuvent être à l'origine de décharge électrique ou de dommage à l'appareil.
- 6 Ne couvrez pas l'appareil d'un journal, d'une nappe, d'un rideau, etc. car cela empêcherait l'évacuation de la chaleur. Toute augmentation de la température intérieure de l'appareil peut être responsable d'incendie, de dommage à l'appareil ou de blessure corporelle.
- 7 Ne branchez pas la fiche du cordon d'alimentation de l'appareil sur une prise secteur aussi longtemps que tous les raccordements n'ont pas été effectués.
- 8 Ne pas faire fonctionner l'appareil à l'envers. Il risquerait de chauffer et d'être endommagé.
- 9 N'exercez aucune force excessive sur les commutateurs, les boutons et les cordons.
- 10 Pour débrancher la fiche du cordon d'alimentation au niveau de la prise secteur, saisissez la fiche et ne tirez pas sur le cordon.
- 11 Ne nettoyez pas l'appareil au moyen d'un solvant chimique, ce qui pourrait endommager la finition. Utilisez un chiffon sec et propre.
- 12 N'alimentez l'appareil qu'à partir de la tension prescrite. Alimenter l'appareil sous une tension plus élevée est dangereux et peut être responsable d'incendie, de dommage à l'appareil ou de blessure corporelle. Yamaha ne saurait être tenue responsable des dommages résultant de l'alimentation de l'appareil sous une tension autre que celle prescrite.
- 13 Pour empêcher tout dommage causé par les éclairs, déconnectez le cordon d'alimentation et toute antenne extérieure de la prise murale pendant un orage.
- 14 Ne tentez pas de modifier ni de réparer l'appareil. Consultez le service Yamaha compétent pour toute réparation qui serait requise. Le coffret de l'appareil ne doit jamais être ouvert, quelle que soit la raison.
- 15 Si vous envisagez de ne pas vous servir de l'appareil pendant une longue période (par exemple, pendant les vacances), débranchez la fiche du cordon d'alimentation au niveau de la prise secteur.
- 16 Installez cet appareil à proximité de la prise secteur et à un emplacement où la fiche d'alimentation est facilement accessible.
- 17 Lisez la section intitulée « GUIDE DE DÉPANNAGE » où figurent une liste d'erreurs de manipulation ordinaires avant de conclure à une anomalie ou à une anomalie de l'appareil.
- 18 Avant de déplacer cet appareil, appuyez sur ϕ pour le mettre hors tension, puis débranchez la fiche câble d'alimentation de la prise murale.
- 19 Les piles ne doivent pas être exposées à une chaleur extrême, par exemple au soleil, à une flamme, etc.
- 20 **VOLTAGE SELECTOR**
(Modèles pour l'Asie et Standard uniquement)
Le commutateur VOLTAGE SELECTOR placé sur le panneau arrière de cet appareil doit être convenablement positionné AVANT de brancher la fiche du cordon d'alimentation secteur. Les tensions d'alimentation possibles sont :
.....CA 110/120/220/230–240 V, 50/60 Hz

Précaution pour le déplacement de l'appareil

- Avant de déplacer l'appareil, retirez tous les disques du plateau et fermez le plateau en appuyant sur la touche OPEN/CLOSE. Éteindre ensuite l'appareil après s'être assuré que l'affichage du panneau avant indique ce qui suit :

NO DISC

Ne jamais mettre l'appareil hors tension avant que l'affichage ne s'allume comme ci-dessus, sinon cet appareil risquerait de se dérégler pendant le transport, le mécanisme interne n'étant pas verrouillé.

L'appareil est relié au bloc d'alimentation tant qu'il reste branché à la prise de courant murale, même si vous mettez l'appareil hors tension en appuyant sur ϕ .

AVERTISSEMENT

POUR RÉDUIRE LES RISQUES D'INCENDIE OU DE DÉCHARGE ÉLECTRIQUE, N'EXPOSEZ PAS CET APPAREIL À LA PLUIE OU À L'HUMIDITÉ.

SÉCURITÉ LASER

L'appareil utilise un laser. En raison des risques de blessure des yeux, le retrait du couvercle ou les réparations de l'appareil devront être confiés exclusivement à un technicien d'entretien qualifié.

DANGER

Risque d'exposition au laser en cas d'ouverture. Éviter l'exposition directe des yeux au faisceau. Lorsque cet appareil est branché à la prise de courant, ne pas approcher les yeux de l'ouverture du plateau changeur et des autres ouvertures pour regarder à l'intérieur.

Le laser de cet appareil peut émettre un rayonnement dépassant les limites de la classe 1.

SOMMAIRE

INTRODUCTION

COMMANDES ET FONCTIONS.....	2
Panneau avant	2
Connexions du panneau arrière	4
Télécommande.....	5

OPÉRATIONS

CHARGEMENT ET LECTURE DE DISQUES... 8	8
Lecture programmée Audio CD	8
PLAYXCHANGE	8
LECTURE iPod/PÉRIPHÉRIQUE USB	9
Connexion des iPod/périphériques USB	9
Lecture de l'iPod.....	9
Lecture des périphériques USB	9
Débrancher les iPod/périphériques USB	10
iPod/périphériques USB pris en charge.....	10

INFORMATIONS SUPPLÉMENTAIRES

FORMAT DE DISQUE ET FICHER	
LISIBLES	11
UTILISER LE RÉGLAGE AVANCÉ	13
GUIDE DE DÉPANNAGE	14
CARACTÉRISTIQUES TECHNIQUES	15

■ Caractéristiques


- Changeur automatique carrousel 5 disques
- Ouverture complète du plateau du disque, pour le changement simultané des 5 disques
- PLAYXCHANGE: Possibilité de changer des disques pendant la lecture d'un autre disque
- Sortie numérique optique
- Lisibilité disque CD-R, CD-RW
(Pour plus de détails, reportez-vous à la page 11).
- Lisibilité disque MP3, WMA
- Lisibilité fichier MP3, WMA enregistré sur un périphérique USB
(Pour plus de détails, reportez-vous à la page 11).
- Lisibilité de l'iPod
- Lecture programmée (Audio CD uniquement)
- Lecture en séquence aléatoire (sauf iPod)
- Lecture répétée de plage unique/fichier, tout le disque/ fichier/périphérique en entier
- Lecture répétée A-B (Audio CD uniquement)
- Réglage des informations de l'afficheur et de la luminosité
- Fonction PURE DIRECT

■ Accessoires fournis

Vérifiez que vous avez bien reçu tous les éléments suivants.

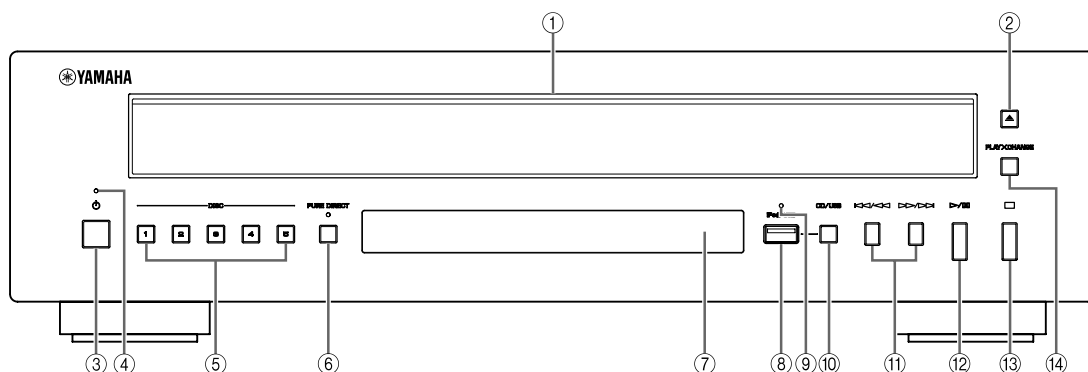
- Cordon d'alimentation
- Télécommande
- Piles (AA, R6, UM-3) (×2)
- Câble stéréo RCA

■ À propos de ce manuel

- Le symbole  appelle votre attention sur un conseil d'utilisation.
- Dans ce manuel, les CD audio sont appelés « Audio CD », les disques MP3/WMA sont appelés « Data Disc » et les fichiers MP3/WMA enregistrés sur le périphérique USB sont appelés « USB ».
- Le **Audio CD**, **Data Disc** et **USB** indiquent les formats de données musicales pouvant être utilisés lors de l'opération.
- Ce mode d'emploi a été imprimé avant la fabrication de l'appareil. Les caractéristiques et la présentation ont pu être modifiées à fin d'amélioration, etc. En cas de divergence entre le mode d'emploi et l'appareil, ce dernier prime.

COMMANDES ET FONCTIONS

Panneau avant



① Plateau du disque

Pour charger un disque.

② (Ouvrir/Fermer)

Pour ouvrir ou fermer le plateau du disque. Pour charger et décharger les disques, voir page 8.

③ (Mise sous tension)

Enfoncez en position de marche afin de mettre l'appareil sous tension.



- Le témoin situé au-dessus de cette touche s'allume lorsque vous mettez l'appareil sous tension.
- Pour mettre l'appareil en mode veille, appuyez sur STNDBY/ON sur la télécommande.
- Cet appareil présente une fonction de mise en veille automatique. Lorsque cette fonction est activée, l'appareil se met automatiquement en mode veille au bout de 30 minutes d'arrêt de la lecture de disque. Pour plus de détails, voir page 13.

④ Témoin de mise sous tension de l'appareil

S'allume selon les descriptions suivantes:

ALLUMÉ: Brillant
Mode veille: Sombre
ÉTEINT: Hors tension

⑤ DISC (1-5)

Sélectionne le disque souhaité et commence la lecture.

⑥ PURE DIRECT

Activez ou désactivez le mode PURE DIRECT pour améliorer la qualité audio.



- Le témoin PURE DIRECT s'allume.
- La sortie numérique est désactivée.
- L'afficheur du panneau avant est désactivé lors de la lecture et seuls les témoins et les messages minimum requis sont affichés.

Remarque

Connectez en utilisant les terminaux de ANALOG OUT lorsque vous utilisez le mode PURE DIRECT (voir la page 4).

⑦ Capteur de télécommande

Reçoit les signaux émis par la télécommande.

⑧ Port iPod/USB

Connectez votre périphérique iPod ou USB. Pour plus de détails, voir page 9.

⑨ Témoin iPod/USB

Éteint: mode CD sélectionné.

Orange: Connexion prête.

Vert: iPod/USB connecté et les fichiers lisibles ont été détectés (lecture prête).

⑩ CD/USB

Commute entre le mode CD et le mode iPod/USB. Voir page 9.



Lorsque le témoin iPod/USB n'est pas allumé, cet appareil est en mode CD.

⑪ / (Suivant/Recherche en arrière), / (Suivant/Recherche en avant)

/ : Pour passer à la page suivante.

/ : Pour retourner au début de la page en cours.

/ (deux fois): Pour retourner à la page précédente.

Maintenez la touche / ou / enfoncée pour effectuer une recherche vers l'arrière/avant.

⑫ (Lire) / (Pause)

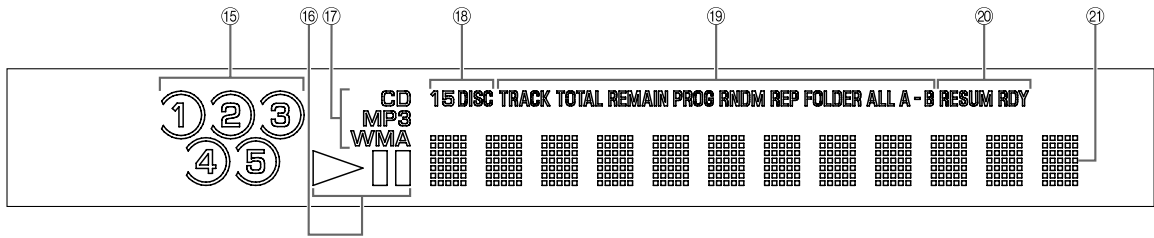
Pour démarrer la lecture ou la mettre en pause. Appuyez à nouveau sur / pour reprendre la lecture.

⑬ (Arrêter)

Arrête la lecture.

⑭ PLAYXCHANGE

Ouvre le plateau du disque pendant la lecture sans l'interrompre. Pour plus de détails, voir page 8.



⑮ Témoïn de sélection de disque

Les numéros correspondant aux plateaux chargés s'allument. Le numéro encerclé indique le disque actuellement sélectionné.

Remarque

Il est possible que le numéro correspondant à un plateau vide s'allume avant la sélection de ce plateau. Une fois le plateau du disque refermé après le chargement/remplacement des disques, cette unité recherche les disques, en commençant par le plateau 1. Lors de la recherche, les numéros correspondant aux plateaux vides s'éteignent. La recherche s'interrompt dès qu'un disque est détecté, et ignore les plateaux restants.

⑯ Témoïn du statut de lecture

S'allume lorsque cet appareil est en mode de lecture ou de pause.

⑰ Témoïn du type de source

Indique le type du contenu de la lecture en cours.

⑱ Témoïn de mode de lecture

Indique le mode de lecture sélectionné (1DISC ou 5DISC). Pour plus de détails, voir « MODE » (page 5).

⑲ Témoïn de l'affichage du temps et du mode de lecture

Indique le mode de lecture en cours et le statut d'affichage du temps (voir pages 5 et 8 pour les modes de lecture, et page 6 pour l'affichage du temps).

⑳ Témoïn de réglage avancé

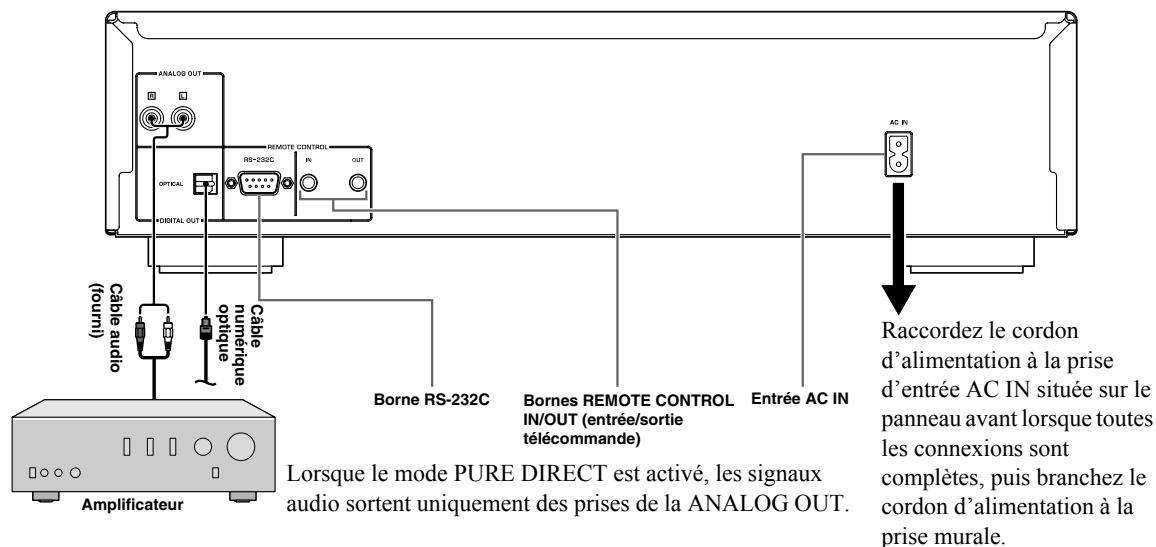
Indique les modes spécifiques activés. Pour plus de détails, voir « UTILISER LE RÉGLAGE AVANCÉ » (page 13).

㉑ Affichage d'informations multiples

Connexions du panneau arrière

ATTENTION

Avant d'établir une connexion, veillez à ce que l'appareil, l'amplificateur et tous les autres composants soient hors tension.



■ VOLTAGE SELECTOR (Modèles pour l'Asie et standard uniquement)

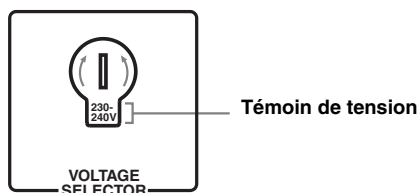
ATTENTION

Le VOLTAGE SELECTOR situé sur le panneau arrière de cet appareil doit être réglé sur votre tension secteur locale AVANT le raccordement du câble d'alimentation fourni à la prise murale CA. Un réglage incorrect du VOLTAGE SELECTOR peut endommager l'appareil et créer un risque d'incendie.

Tournez le VOLTAGE SELECTOR dans le sens horaire ou antihoraire pour le mettre en position correcte à l'aide d'un tournevis.

Les tensions sont les suivantes :

.....110/120/220/230-240 V CA, 50/60 Hz



Pour installateur personnel

■ Bornes REMOTE CONTROL IN/OUT (entrée/sortie télécommande)

Ces bornes permettent de procéder à une installation personnalisée du système. Lorsque cet appareil est raccordé à des composants pour une installation personnalisée du système, vous pouvez le faire fonctionner à l'aide de la télécommande système.

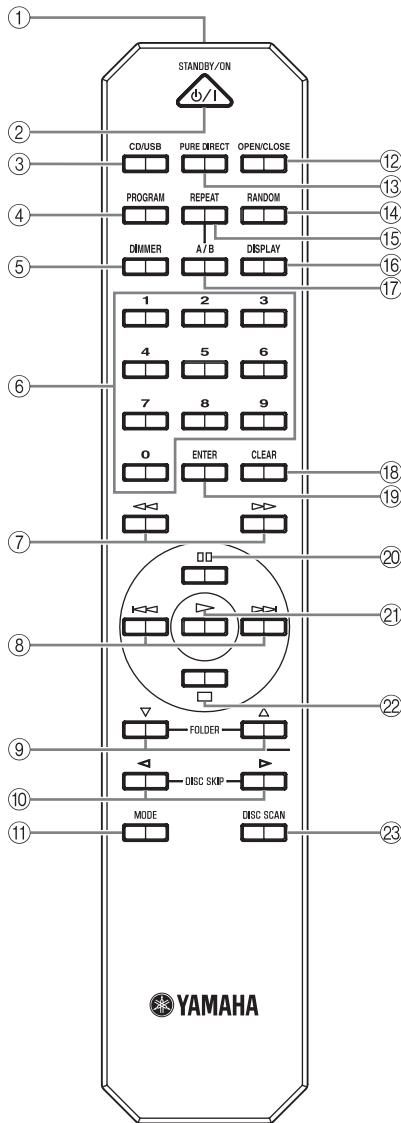
Raccordez la borne **REMOTE CONTROL IN** (entrée télécommande) de cet appareil à la borne de sortie de la commande centrale pour une installation personnalisée du système.

Il est également possible de le faire fonctionner avec la télécommande système lorsque la borne **REMOTE CONTROL OUT** (sortie télécommande) de cet appareil est raccordée à la borne d'entrée de la télécommande de l'autre composant. Ceci permet de raccorder jusqu'à 6 composants en série.

■ Borne RS-232C

Cet appareil est également équipé d'une borne RS-232C. Contactez votre revendeur pour de plus amples détails.

Télécommande



① Émetteur de signal infrarouge

Envoie des signaux infrarouges à cet appareil.

② STANDBY/ON

Met cet appareil en marche ou en mode de veille lorsque la touche ϕ (Mise sous tension) située sur le panneau avant est enfoncée en position de marche.

Remarque

Il est uniquement possible d'utiliser cet appareil lorsque la touche ϕ (Mise sous tension) située sur le panneau avant est enfoncée en position de marche.

③ CD/USB

Commute entre le mode CD et le mode iPod/USB (voir page 9).



Ce réglage est conservé, même si vous mettez cet appareil hors tension.

④ PROGRAM

Pour activer ou désactiver le mode de lecture programmée. Voir « Lecture programmée » à la page 8.

⑤ DIMMER

Chaque fois que vous appuyez sur DIMMER, le niveau de luminosité change de 4 niveaux.



Ce réglage est conservé, même si vous mettez cet appareil hors tension.

⑥ Boutons numériques

À utiliser pour sélectionner directement une plage sur le disque ou un document dans le fichier en cours.

⑦ ◀◀ (Rechercher en arrière), ▶▶ (Rechercher en avant)

Recherche les plages en arrière/en avant lorsque le bouton est enfoncé.

⑧ ◀◀ (Sauter en arrière), ▶▶ (Sauter en avant)

▶▶ : Pour passer à la plage suivante.

◀◀ : Pour retourner au début de la plage en cours.

◀◀ (deux fois) : Pour retourner à la plage précédente.

⑨ FOLDER ▾ (Dossier en bas), ▴ (Dossier en haut)



▾ : Pour retourner au dossier précédent.

▴ : Pour passer au dossier suivant.

Voir la page page 9 pour plus de détails.

⑩ DISC SKIP ◀ (Disque précédent), ▶ (Disque suivant)

Pour passer au disque précédent/suivant.

⑪ MODE

Pour commuter entre les modes de lecture de disque 1DISC et 5DISC.

En mode 1DISC, seul le disque sélectionné est lu.

En mode 5DISC, tous les disques chargés sur le plateau sont lus l'un après l'autre.

⑫ OPEN/CLOSE

Pour ouvrir ou fermer le plateau du disque. Il est possible de charger ou remplacer jusqu'à cinq disques simultanément. Pour plus de détails, voir page 8.

⑬ PURE DIRECT

Activez ou désactivez le mode PURE DIRECT pour améliorer la qualité audio. Pour plus de détails, voir page 2.



Ce réglage est conservé, même si vous mettez cet appareil hors tension.

⑭ RANDOM

Pour activer ou désactiver le mode de lecture de séquence aléatoire.

Remarque

Le mode de lecture aléatoire est annulé lorsque le disque est éjecté.

15 REPEAT

Répète la lecture d'une seule plage ou de toutes les plages. Chaque fois que vous appuyez sur REPEAT pendant la lecture, les changements du mode de lecture en répétition sont les suivants :

- REP TRACK (lecture en répétition unique): Une seule plage est lue de façon répétée.
- REP ALL (répéter toute la lecture): Toutes les plages (le disque entier) sont lues de manière répétée.

Data Disc **USB**

- REP FOLDER (répéter la lecture du dossier): Tous les documents (le dossier entier) sont lus de manière répétée.

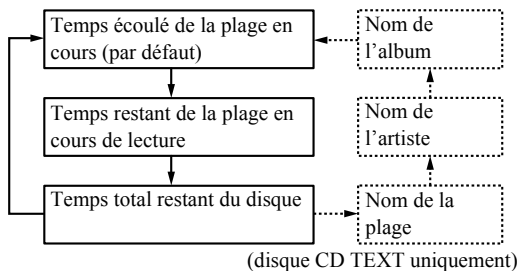


La lecture répétée fonctionne également pour la lecture programmée et la lecture en séquence aléatoire.

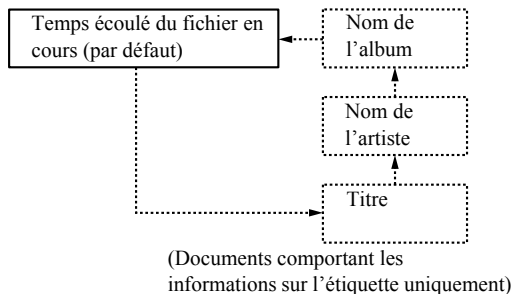
16 DISPLAY

Pour changer le mode d'affichage du temps. Chaque fois que vous appuyez sur DISPLAY pendant la lecture, les changements du mode d'affichage du temps sont les suivants :

Audio CD



Data Disc **USB**



17 A/B **Audio CD**

Pour répéter la lecture d'une section spécifique d'une plage. Afin de régler les points de début et de fin (A et B), appuyez deux fois sur A/B durant la lecture.

Pour annuler la répétition A-B, appuyez à nouveau sur A/B.

Remarques

- Vous ne pouvez pas régler la répétition A-B d'une plage à une autre plage.
- Vous ne pouvez pas régler la répétition A-B pour un Data Disc et un USB.
- Si vous arrêtez la lecture en appuyant sur □ (Arrêter), la répétition A-B est annulée.
- Vous ne pouvez pas utiliser la répétition A-B lorsque cet appareil est en mode PURE DIRECT.

18 CLEAR

Pour effacer la plage programmée.

19 ENTER

Confirme un numéro de plage saisi lorsque vous programmez des plages.

20 (Pause)

Lecture en pause. Appuyez sur ▷ ou pour reprendre la lecture.

21 ▷ (Lire)

Lance la lecture.

22 □ (Arrêter)

Arrête la lecture.

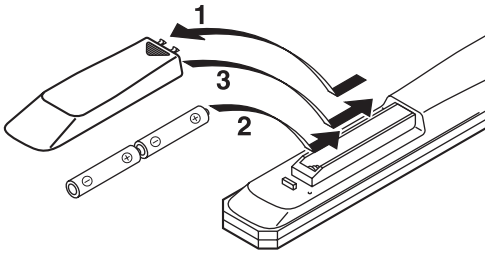
23 DISC SCAN

Effectue un balayage des disques chargés et lit 10 secondes de chaque disque, vous permettant de rechercher le disque de votre choix. Pour arrêter le balayage et passer en mode de lecture normale, appuyez à nouveau sur la touche de balayage de disque DISC SCAN ou sur ▷ (Lire).

Remarques

- Lors du balayage, le numéro du plateau du disque en cours de lecture clignote à l'écran. Le numéro arrête de clignoter et reste allumé en continu une fois la lecture du disque terminée.
- Si le disque en cours de lecture présente de longs espaces vides entre les différents morceaux, aucun son n'est audible lors du balayage du disque.

■ Installation des piles dans la télécommande



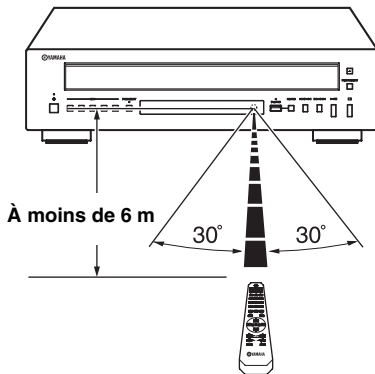
1 Appuyez sur la partie ▼ et faites glisser le couvercle du compartiment à piles pour le retirer.

2 Insérez les deux piles fournies (AA, R6, UM-3) en respectant les polarités (+ et -) indiquées dans le compartiment à piles.

3 Faites glisser le couvercle pour le remettre en place jusqu'à ce qu'il s'encliquette.

■ Utilisation de la télécommande

La télécommande émet un faisceau infrarouge directionnel. Veillez à diriger la télécommande directement vers le capteur de télécommande situé sur le panneau avant de cet appareil pendant le fonctionnement.



■ Remarques concernant les piles

- Changez toutes les piles lorsque vous remarquez que la portée de la télécommande est plus courte.
- Utilisez des piles AA, R6 ou UM-3.
- Assurez-vous que les pôles sont correctement orientés. Voir l'illustration à l'intérieur du logement des piles.
- Retirez les piles si la télécommande n'est pas utilisée pendant un certain temps.
- N'utilisez pas tout à la fois des piles neuves et des piles usagées.
- N'utilisez pas non plus des piles de deux types différents (par exemple, des piles alcalines et des piles au manganèse). Lisez attentivement les indications portées sur le boîtier des piles car leur apparence peut être la même bien que leur type diffère.
- Si les piles ont fui, mettez-les au rebut immédiatement. Dans la mesure du possible, ne touchez pas le produit qui a fui et évitez qu'il ne vienne en contact avec vos vêtements, etc. Nettoyez soigneusement le logement des piles avant de mettre en place des piles neuves.
- Ne vous débarrassez pas des piles comme s'il s'agissait d'ordures ménagères; traitez-les conformément à la réglementation locale.

■ Manipulation du boîtier de télécommande

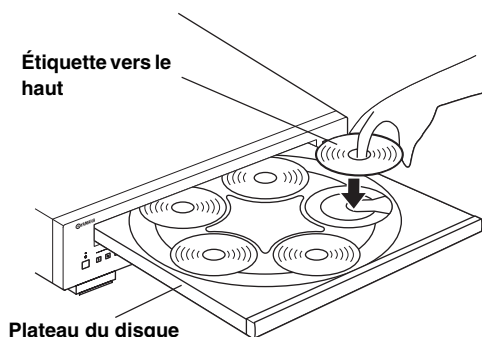
- Entre le boîtier de télécommande et l'appareil l'espace doit être libre d'obstacles.
- Ne renversez aucun liquide sur le boîtier de télécommande.
- Ne laissez pas tomber le boîtier de télécommande.
- Ne conservez pas, ne rangez pas le boîtier de télécommande dans les endroits suivants:
 - très humides, par exemple près d'un bain
 - très chauds, par exemple près d'un appareil de chauffage ou d'un poêle
 - exposés à des températures très basses
 - poussiéreux
- Ne pas exposer le capteur de télécommande à une lumière puissante, en particulier à une lampe fluorescente à onduleur, sinon le boîtier de télécommande ne fonctionnera pas correctement. Le cas échéant, faites en sorte que le boîtier ne soit pas directement éclairé.

CHARGEMENT ET LECTURE DE DISQUES

Il est possible de charger ou remplacer jusqu'à cinq disques simultanément.

1 Appuyez sur la touche d'ouverture/fermeture OPEN/CLOSE pour ouvrir le plateau du disque et charger les disques.

Alignez correctement les disques sur le plateau à l'aide des guides prévus à cet effet.



Remarque

Pour lire un CD de 8 cm, posez-le dans le renfoncement au centre du plateau du disque. Ne mettez pas de CD de taille normale (12 cm) au-dessus d'un CD de 8 cm.

2 Appuyez sur la touche d'ouverture/fermeture OPEN/CLOSE pour fermer le plateau du disque.

3 Appuyez sur la touche MODE pour sélectionner le mode de lecture de disque souhaité (1DISC ou 5DISC) en confirmant votre choix à l'écran.

1DISC: Seul le disque sélectionné est lu.

5DISC: Tous les disques chargés sur le plateau sont lus l'un après l'autre.

4 Appuyez sur ▷ (Lire) pour commencer la lecture à partir du premier morceau ou fichier du disque numéro 1.

5 Si nécessaire, sélectionnez le disque souhaité à l'aide de la commande de changement de disque DISC SKIP ◀ / ▶, ou de l'une des touches DISC (1-5) situées sur le panneau avant.

Lecture programmée **Audio CD**

Grâce au mode de lecture programmée, vous pouvez lire les plages dans une séquence programmée.

Remarques

- Vous pouvez programmer et lire les morceaux de tous les disques chargés (1-5) dans n'importe quel ordre.
- Les morceaux programmés sont effacés lors de l'éjection du disque ou de la mise de l'appareil hors tension/en mode de veille.

1 Appuyez sur PROGRAM lorsque la lecture est arrêtée.

Cet appareil est réglé en mode d'édition de programme.

2 Sélectionnez un disque via l'une des touches DISC (1-5) situées sur le panneau avant ou via la touche de changement de disque DISC SKIP ◀ / ▶ de la télécommande.

3 Sélectionnez une plage en utilisant les boutons numériques et appuyez sur la touche ENTER.

4 Répétez les étapes 2 et 3 pour programmer la plage suivante.

Vous pouvez programmer jusqu'à 24 plages.



Pour annuler la plage programmée, appuyez sur CLEAR.

5 Appuyez sur ▷.

La lecture démarre à partir du début de la séquence programmée.



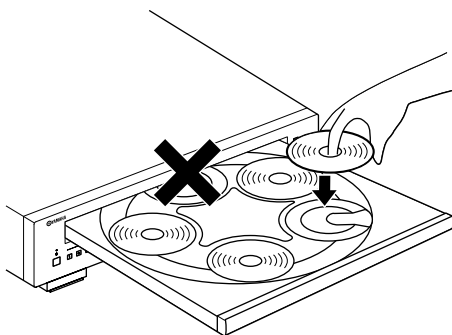
Afin d'effacer toutes les plages programmées, appuyez sur CLEAR lorsque la lecture est arrêtée.

PLAYXCHANGE

La fonction PLAYXCHANGE vous permet de remplacer des disques sans interrompre la lecture du disque en cours. Appuyez sur la touche PLAYXCHANGE située sur le panneau avant pour ouvrir le plateau du disque et remplacer les disques.

ATTENTION

Ne tentez jamais de charger un disque de la façon indiquée par un x sur l'illustration ci-dessous. Vous risqueriez d'endommager l'appareil et le disque, car il s'agit de l'emplacement du disque en cours de lecture.



Remarque

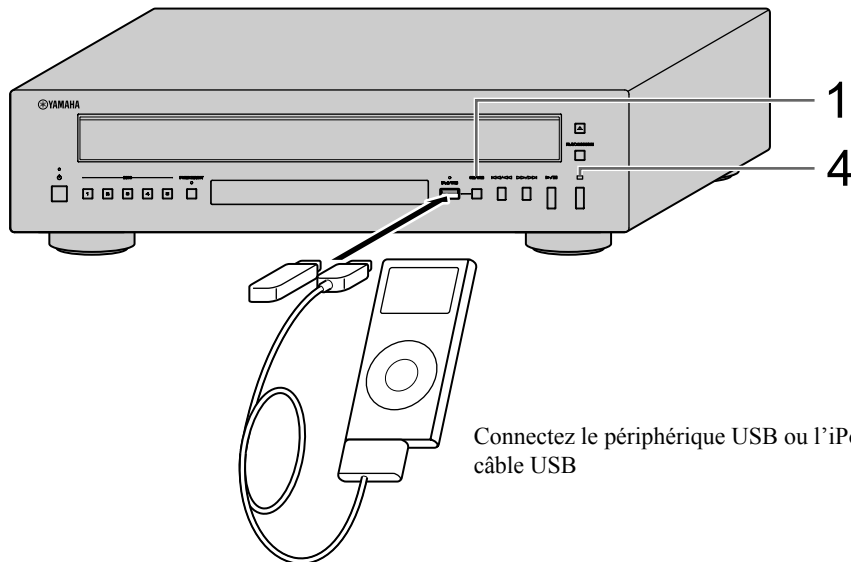
Les touches de changement de disque DISC SKIP ne fonctionnent pas lorsque le plateau du disque est ouvert.

LECTURE iPod/PÉRIPHÉRIQUE USB

Connexion des iPod/périphériques USB

Remarques iPod

- Utilisez le câble USB fourni avec votre iPod. Si aucun câble USB n'est fourni, achetez-en un auprès d'Apple Inc.
- Éteignez votre iPod.
- N'utilisez pas de concentrateur USB.



Connectez le périphérique USB ou l'iPod via le câble USB

Lecture de l'iPod

1 Appuyez sur la touche CD/USB pour sélectionner le mode iPod/USB.

Le témoin iPod/USB situé sur le panneau avant s'allume en orange, puis devient vert lorsque la lecture est prête.

2 Pour lancer la lecture.

Actionnez votre iPod pour démarrer la lecture, sélectionner un morceau, mettre en pause, et arrêter la lecture.



Vous pouvez aussi utiliser les boutons suivants : ▷ (Lire), || (Pause), □ (Arrêter), ◀◀ (Sauter en arrière), ▶▶ (Sauter en avant), ◀◀ (Recherche en arrière), et ▶▶ (Recherche en avant) sur cet appareil ou télécommande.

Remarque

Il est possible que l'iPod ne fonctionne pas normalement avec cet appareil si le logiciel installé sur l'iPod n'est pas mis à jour. Assurez-vous d'utiliser la dernière version du logiciel de l'iPod.

Lecture des périphériques USB

1 Appuyez sur la touche CD/USB pour sélectionner le mode iPod/USB.

Le témoin iPod/USB situé sur le panneau avant s'allume.

2 Pour lancer la lecture.

Le nom du fichier s'affiche sur l'afficheur du panneau avant et la lecture démarre automatiquement dans l'ordre, selon la date et l'heure de création si les fichiers lisibles se trouvent dans le périphérique USB.

3 Sélectionner un morceau.

Appuyez sur la touche FOLDER ▽/△ de la télécommande pour sélectionner un dossier, puis appuyez sur ◀◀/▶▶ ou sur les boutons numériques pour sélectionner un morceau.

4 Pour arrêter la lecture.

Appuyez sur □ (Arrêter).

Voir page 11 pour plus d'informations sur la lecture de MP3/WMA.

Débrancher les iPod/périphériques USB

Arrêter la lecture, puis débranchez votre iPod ou périphérique USB. Nous vous recommandons d'appuyer sur CD/USB pour passer en mode CD, de vous assurer que le témoin CD/USB s'éteint, puis de débrancher votre iPod/périphérique USB.

ATTENTION

Ne débranchez pas votre iPod ou votre périphérique USB lorsqu'ils sont en cours de lecture, ou lorsque « USB READING » s'affiche sur le panneau avant.

iPod/périphériques USB pris en charge

■ Modèles iPod pris en charge

- iPod classic (le modèle 120GB inclus)
 - iPod nano (2e, 3e et 4e générations)
 - iPod touch (1e et 2e générations)
- (depuis avril 2009)

Remarques

- iPod est autorisé à la reproduction et à la lecture, à condition que les personnes effectuent des copies à titre personnel ou lisent du matériel non protégé, ou bien du matériel légalement autorisé à la reproduction et à la lecture. La violation du droit d'auteur est interdite par la loi.
- Yamaha et ses fournisseurs ne peuvent être tenus responsables de la perte de données enregistrées sur l'iPod raccordé à cet appareil. Par précaution, il est recommandé de créer des copies de sauvegarde des fichiers.

■ Périphériques USB pris en charge

Cet appareil prend en charge les périphériques de stockage de masse USB (c.à.d., les mémoires flash, les lecteurs de carte ou les lecteurs audio portables) qui utilisent le format FAT16 ou FAT32.

Remarques

- Il se peut que certains appareils ne fonctionnent pas correctement même s'ils répondent aux conditions requises.
- Cet appareil ne prend pas en charge les périphériques USB cryptés.
- Ne pas connecter de périphériques autres que les périphériques de stockage de masse USB : chargeurs USB, concentrateur USB, PC, HDD externes, etc.
- Lorsque vous insérez plusieurs cartes mémoire simultanément dans un lecteur de carte raccordé au port iPod/USB de cet appareil, une seule des cartes mémoire est reconnue.
- Yamaha et ses fournisseurs ne peuvent être tenus responsables de la perte de données enregistrées sur les périphériques USB raccordés à cet appareil. Par précaution, il est recommandé de créer des copies de sauvegarde des fichiers.
- La possibilité d'utiliser et d'alimenter tous les types de périphériques USB n'est pas garantie.

FORMAT DE DISQUE ET FICHER LISIBLES

■ Fichiers MP3 et WMA lisibles (périphérique USB et Data Disc)

MP3

Format	Débit binaire (kbps)	Réponse en fréquence (kHz)
MPEG 1 Audio Layer-3	32-320 *	32/44,1/48
MPEG 2 Audio Layer-3, 2	8-160 *	16/22,05/24
MPEG-2.5 Audio Layer-2	8-160 *	8/11,025/12

* Débit binaire variable également pris en charge.

WMA

- Version 8
- Version 9 (débits binaires standard et variable pris en charge. Formats Professional et Lossless non pris en charge).

Profil	Débit binaire (kbps)	Réponse en fréquence (kHz)
High Profile	32-320 *	32/44,1/48
Mid Profile	16-32	16/22,05

* Débit binaire variable également pris en charge.

Remarques

- La lecture d'un Data Disc commence par ordre alphanumérique.
- La lecture du périphérique USB démarre dans l'ordre, selon la date et l'heure de création.
- Cet appareil ne peut pas lire les fichiers WMA (DRM) protégés par les droits d'auteur.
- Le disque doit être compatible ISO 9660.
- Il se peut que le temps écoulé ne s'affiche pas correctement lors de la lecture de contenus de débits binaires variables.

	Data Disc	USB
Nombre maximal de fichiers	999	32767
Nombre maximal de dossiers	256	256
Nombre maximal de fichiers par dossier	512	512

■ Disques lisibles

Utilisez des disques compact comportant les marques ci-dessous.



.... Disques compact (audionumériques)



.... Disques audionumériques, CD-R, CD-RW

- Disques CD-R ou CD-RW comportant l'une des phrases suivantes:
FOR CONSUMER
FOR CONSUMER USE
FOR MUSIC USE ONLY
- Disques CD-R ou CD-RW finalisés.



Remarque

Il est possible que ce lecteur de disque compact ne puisse pas effectuer la lecture de certains disques CD-R/CD-RW ou de disques sur lesquels l'enregistrement n'a pas été effectué correctement.



.... Disques CD-TEXT

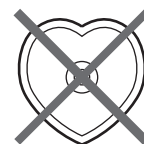
- Le titre du disque, le nom de l'artiste, et le nom du morceau sont aussi affichés ainsi que le temps écoulé lors de la lecture d'un CD avec CD TEXT.

Pour lire un disque compact de 8 cm

Placez-le dans le renforcement du plateau du disque. Ne mettez pas de disque compact de taille normale (12 cm) sur un disque compact de 8 cm.

Pour éviter toute anomalie de fonctionnement sur cet appareil :

- N'utilisez pas de disques de formes non standard (cœur, etc.) en vente sur le marché, car ils risquent d'abîmer l'appareil.



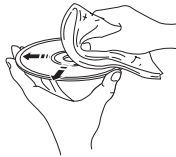
- N'utilisez pas de disques comportant du ruban adhésif, des joints ou de la colle. Sinon, ce disque risque de se coincer dans l'appareil et de l'endommager.

■ Manipulation des disques compact

- Manipulez avec soin le disque afin de ne pas rayer la surface de lecture. Ne touchez pas les disques.



- Afin de conserver la surface de lecture propre, essuyez-la avec un chiffon propre et sec. N'utilisez jamais de nettoyeur pour disque, d'atomiseur, ou de solution chimique.
- Ne pas essuyer avec un mouvement circulaire ; essuyez du centre vers le bord en un mouvement droit.



- Utilisez un stylo à embout doux lorsque vous écrivez sur l'étiquette du disque.
- Lorsque le disque n'est plus utilisé, retirez-le de l'appareil et rangez-le dans son coffret.
- Ne pas exposer les disques à la lumière directe du soleil, à une température élevée ou à une humidité excessive pendant une période prolongée.

UTILISER LE RÉGLAGE AVANCÉ

Cet appareil est équipé des quatre modes spéciaux suivants, qui peuvent s'avérer utiles à des fins spécifiques dans des magasins ou bureaux.

Remarque

Les fonctions du mode spécial sont incompatibles avec l'iPod.

Mémoire de mode de lecture

Enregistre le mode de lecture en cours (REPEAT et RANDOM) après avoir mis l'appareil hors tension, sauvegardant le temps de réglage du mode de lecture à chaque fois que vous mettez l'appareil sous tension. Le numéro de plage est également mémorisé, ce qui permet de reprendre automatiquement la lecture à partir du même morceau lors de la remise de l'appareil sous tension.

Le témoin RESUM situé sur l'afficheur du panneau avant s'allume si activé.

Mode prêt

Pause la lecture après chaque plage, vous permettant de démarrer la plage suivante à n'importe quel moment. Le témoin RDY sur l'afficheur du panneau avant s'allume si activé.

RS-232C marche/arrêt

Active ou désactive la borne RS-232C située sur le panneau arrière.

Activez-la lorsque vous utilisez la fonction RS-232C.

Ce mode est désactivé par défaut.

Mode de veille automatique

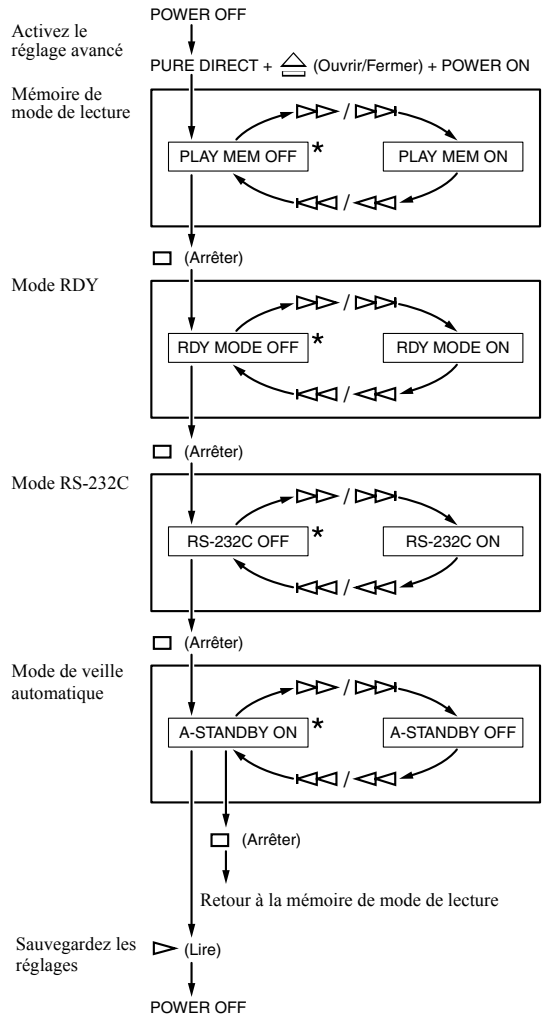
Lorsque cette fonction est activée, l'appareil se met automatiquement en mode de veille si l'une des conditions mentionnées ci-après se prolonge pendant 30 minutes:

- 1) Pas de lecture de CD alors que l'appareil est en mode CD (également si aucun disque n'est chargé, ou si le type de disque chargé n'est pas pris en charge).
- 2) Lecture de CD en pause.
- 3) Pas de périphérique USB raccordé alors que l'appareil est en mode iPod/USB.
- 4) Périphérique USB raccordé alors que l'appareil est en mode iPod/USB (le témoin iPod/USB reste allumé en orange).

Remarque

L'appareil ne se met pas automatiquement en mode de veille lorsqu'un périphérique USB ou un iPod est raccordé (lorsque le témoin iPod/USB s'allume en vert).

Pour activer et configurer le réglage avancé, procédez aux étapes suivantes. Utilisez les boutons situés sur le panneau avant.



* : Réglage par défaut

La prochaine fois que vous mettez l'appareil sous tension, celui-ci s'allumera avec les réglages que vous avez indiqués ci-dessus.

GUIDE DE DÉPANNAGE

Si l'appareil ne fonctionne pas correctement, vérifiez les points suivants afin de déterminer si le problème peut être résolu à l'aide des mesures simples proposées. Si ce n'est pas le cas, ou si le problème n'est pas répertorié dans la colonne Anomalies, débranchez le cordon d'alimentation et prenez contact avec le revendeur ou le service après-vente agréé Yamaha le plus proche pour obtenir une assistance.

Anomalies	Causes possibles	Solutions	Voir la page
Impossible de mettre cet appareil sous tension.	Le cordon d'alimentation n'est pas raccordé à la prise d'entrée AC IN située sur le panneau arrière ou à la prise murale.	Raccordez fermement le cordon d'alimentation.	4
Cette unité s'éteint subitement.	Le mode de veille automatique est activé.	Désactivez le mode de veille automatique.	13
Le plateau du disque ne se referme pas complètement.	Un objet obstrue le plateau.	Vérifiez attentivement le plateau et retirez l'objet.	—
La lecture du disque ne démarre pas, ou un numéro de disque ne s'allume pas sur l'affichage.	Le disque est endommagé.	Vérifiez attentivement le disque et remplacez-le le cas échéant.	—
	Présence d'humidité sur le bloc optique.	Attendez 20 à 30 minutes après la mise sous tension de l'appareil, puis essayez de lire le disque.	—
	Le disque est inséré à l'envers.	Rechargez le disque en orientant l'étiquette vers le haut.	—
	Le disque est sale.	Nettoyez le disque.	13
	Le format du fichier MP3 ou WMA n'est pas compatible avec cet appareil.	Remplacez le disque par un disque correctement enregistré pouvant être lu par cet appareil.	13
	Le disque CD-RW (réinscriptible) n'est pas correctement enregistré.	Remplacez le disque par un disque correctement enregistré pouvant être lu par cet appareil.	13
	Il s'agit d'un disque non standard ne pouvant pas être lu par cet appareil.	Remplacez le disque par un disque correctement enregistré pouvant être lu par cet appareil.	13
	Cet appareil est en mode iPod/USB.	Passez en mode disque en appuyant sur CD/USB.	2
La lecture de l'iPod ne démarre pas bien que l'iPod soit connecté.	L'iPod connecté n'est pas compatible avec cet appareil.	Connectez un iPod compatible avec cet appareil. Les iPod compatibles sont les suivants : <ul style="list-style-type: none"> • iPod classic (le modèle 120GB inclus) • iPod nano (2e, 3e et 4e générations) • iPod touch (1e et 2e générations) (Depuis avril 2009)	10
	Cet appareil est en mode disque.	Passez en mode iPod/USB en appuyant sur la touche CD/USB.	9
La lecture du périphérique USB ne démarre pas.	Raccordement incorrect du périphérique USB.	Procédez à nouveau au raccordement de votre périphérique USB/iPod.	9
	Le format du fichier MP3 ou WMA n'est pas compatible avec cet appareil.	Remplacez le fichier par un fichier correctement enregistré pouvant être lu par cet appareil.	11
	Cet appareil est en mode disque.	Passez en mode iPod/USB en appuyant sur la touche CD/USB.	9
La lecture est retardée ou commence au mauvais endroit.	Le disque est peut-être rayé ou endommagé.	Vérifiez attentivement le disque et remplacez-le le cas échéant.	11
Aucun son.	Raccordement incorrect des câbles de sortie.	Raccordez correctement les câbles. Si le problème persiste, il se peut que les câbles soient défectueux.	4
	Utilisation incorrecte de l'amplificateur.	Réglez les commandes de l'amplificateur sur la sélection d'entrée correcte.	—

Anomalies	Causes possibles	Solutions	Voir la page
Impossible de lire le son provenant d'un composant raccordé aux prises DIGITAL OUT.	Le mode PURE DIRECT est activé.	Désactivez le mode PURE DIRECT ou établissez une connexion analogique.	2
Existence de « sauts ».	Cet appareil est soumis à des vibrations ou à des impacts.	Déplacez cet appareil.	—
	Le disque est sale.	Nettoyez le disque.	11
Existence de « ronflement ».	Raccordement incorrect des câbles.	Raccordez fermement les câbles audio. Si le problème persiste, il se peut que les câbles soient défectueux.	4
Parasites provenant d'un tuner proche.	Le tuner est trop près de l'appareil.	Éloignez le tuner de cet appareil ou mettez cet appareil hors tension.	—
Parasites provenant de l'intérieur du plateau du disque.	Le disque est peut-être voilé.	Remplacez le disque.	—
La télécommande ne fonctionne pas correctement ou fonctionne anormalement.	Distance ou angle incorrects.	La télécommande fonctionne jusqu'à une portée de 6 m et à un axe de 30 degrés maximum par rapport au panneau avant.	5
	Les rayons directs du soleil ou un éclairage direct (provenant d'une lampe fluorescente à changement de fréquence, etc.) frappent le capteur de télécommande de cet appareil.	Repositionnez cet appareil.	—
	Les piles sont épuisées.	Remplacez toutes les piles.	5

CARACTÉRISTIQUES TECHNIQUES

Section audio

- Réponse en fréquence 2 Hz - 20 kHz, $\pm 0,5$ dB
- Distorsion harmonique + bruit (1 kHz) 0,003 % ou moins
- Taux S/N 105 dB ou plus
- Gamme dynamique 96 dB ou plus
- Tension de sortie (1 kHz, 0 dB) $2,0 \pm 0,3$ V

Propriétés diode laser

- Matériel GaAlAs
- Longueur d'onde 790 nm
- Sortie laser max. 1,23 μ W*

* Cette sortie correspond à la valeur mesurée à une distance d'environ 200 mm à partir de la surface de la lentille de focalisation sur le bloc du capteur optique.

iPod™

« iPod » est une marque déposée d'Apple Inc, enregistrée aux E.U. et dans d'autres pays.

« Made for iPod » signifie qu'un accessoire électronique a été conçu spécifiquement pour être connecté à l'iPod et a été certifié par le développeur selon les standards de performance d'Apple.

Apple ne se tient pas responsable du fonctionnement de cet appareil ou de sa conformité aux normes réglementaires et de sécurité.

Général

- Conditions de puissance
 - Modèles pour les États Unis et le Canada 120 V CA, 60 Hz
 - Modèles pour l'Australie 240 V CA, 50 Hz
 - Modèle pour l'Europe 230 V CA, 50 Hz
 - Modèles pour l'Asie et standard 110-120/220-240 V CA, 50/60 Hz
- Température de service +5 °C à +35 °C (+41 °F à +95 °F)
- Consommation 16 W
- Consommation en mode de veille inférieure à 0,5 W
- Dimensions (L × H × P) 435 × 116 × 405 mm
- Poids 6,2 kg

Notez que toutes les caractéristiques techniques peuvent être modifiées sans préavis.

VORSICHT: VOR DER BEDIENUNG DIESES GERÄTES DURCHLESEN.

- 1 Um optimales Leistungsvermögen sicherzustellen, lesen Sie bitte die Anleitung aufmerksam durch. Bewahren Sie die Anleitung danach für spätere Nachschlagzwecke sorgfältig auf.
- 2 Installieren Sie diese Sound-Anlage an einem gut belüfteten, trockenen, sauberen Ort, entfernt von direktem Sonnenlicht, Wärmequellen, Erschütterungen, Staub, Feuchtigkeit und/oder Kälte. Um eine ausreichende Belüftung zu gewährleisten, sollten folgende Abstände eingehalten werden:
Oben: 2,5 cm
Hinten: 2,5 cm
Seitlich: 2,5 cm
- 3 Stellen Sie dieses Gerät entfernt von anderen elektrischen Haushaltgeräten, Motoren oder Transformatoren auf, um Brummgeräusche zu vermeiden.
- 4 Setzen Sie dieses Gerät keinen plötzlichen Temperaturänderungen von kalt auf warm aus, und stellen Sie dieses Gerät nicht an Orten mit hoher Luftfeuchtigkeit auf (z.B. in Räumen mit Luftbefeuchtern), um Kondensation im Inneren des Gerätes zu vermeiden, da es anderenfalls zu elektrischen Schlägen, Feuer, Beschädigung dieses Gerätes und/oder zu persönlichen Verletzungen kommen kann.
- 5 Vermeiden Sie die Aufstellung dieses Gerätes an Orten, an welchen Fremdkörper in das Gerät fallen können bzw. an welchen Flüssigkeiten auf das Gerät verschüttet werden können. Stellen Sie auf der Oberseite des Gerätes niemals Folgendes auf:
 - Andere Komponenten, da diese Beschädigung und/oder Verfärbung der Oberfläche dieses Gerätes verursachen können.
 - Brennende Objekte (z.B. Kerzen), da diese Feuer, Beschädigung des Gerätes und/oder persönliche Verletzungen verursachen können.
 - Mit Flüssigkeiten gefüllte Behälter, da diese umfallen und die Flüssigkeit auf das Gerät verschütten können, wodurch es zu elektrischen Schlägen für den Anwender und/oder zu Beschädigung des Gerätes kommen kann.
- 6 Decken Sie dieses Gerät niemals mit Zeitungen, Tischdecken, Vorhängen usw. ab, damit die Wärmeabfuhr nicht behindert wird. Falls die Temperatur im Inneren des Gerätes ansteigt, kann es zu Feuer, Beschädigung des Gerätes und/oder zu persönlichen Verletzungen kommen.
- 7 Schließen Sie dieses Gerät erst an eine Wandsteckdose an, nachdem alle anderen Anschlüsse ausgeführt wurden.
- 8 Stellen Sie dieses Gerät niemals mit der Unterseite nach oben auf, da es sonst beim Betrieb zu Überhitzung mit möglichen Beschädigungen kommen kann.
- 9 Wenden Sie niemals Gewalt bei der Bedienung der Schalter, Knöpfe und/oder Kabel an.
- 10 Wenn Sie das Netzkabel von der Wandsteckdose abtrennen, fassen Sie immer den Netzstecker an; ziehen Sie niemals an dem Kabel.
- 11 Reinigen Sie dieses Gerät niemals mit chemisch behandelten Tüchern; anderenfalls kann das Finish beschädigt werden. Verwenden Sie ein reines, trockenes Tuch.
- 12 Verwenden Sie nur die für dieses Gerät vorgeschriebene Netzspannung. Falls Sie eine höhere als die vorgeschriebene Netzspannung verwenden, kann es zu Feuer, Beschädigung dieses Gerätes und/oder zu persönlichen Verletzungen kommen. Yamaha kann nicht verantwortlich gemacht werden für Schäden, die auf die Verwendung dieses Gerätes mit einer anderen als der vorgeschriebenen Spannung zurückzuführen sind.
- 13 Um Beschädigungen durch Blitzschlag zu vermeiden, ziehen Sie den Netzstecker von der Netzdose ab, wenn es ein Gewitter gibt.
- 14 Versuchen Sie niemals ein Modifizieren oder Ändern dieses Gerätes. Falls eine Wartung erforderlich ist, wenden Sie sich bitte an einen Yamaha-Kundendienst. Das Gehäuse sollte niemals selbst geöffnet werden.
- 15 Falls Sie das Gerät für längere Zeit nicht verwenden (z.B. während der Ferien), ziehen Sie den Netzstecker von der Netzdose ab.
- 16 Stellen Sie dieses Gerät in der Nähe der Steckdose und so, dass der Netzstecker gut zugänglich ist.
- 17 Lesen Sie unbedingt den Abschnitt „STÖRUNGSBEHEBUNG“ in dieser Anleitung durch, um zu erfahren, wie Sie zunächst im Hinblick auf häufige Bedienfehler prüfen, bevor Sie entscheiden, dass das Gerät defekt ist.
- 18 Bevor Sie dieses Gerät an einen anderen Ort transportieren, drücken Sie die ϕ -Taste, um das Gerät auszuschalten, und ziehen Sie danach den Netzstecker von der Netzdose ab.
- 19 Die Batterien dürfen nicht starker Hitze wie direktem Sonnenschein, Feuer o.ä. ausgesetzt werden.
- 20 **VOLTAGE SELECTOR**
(Nur Modell für Asien und internationales Modell)
Der VOLTAGE SELECTOR an der Rückseite dieses Gerätes muss auf Ihre örtliche Netzspannung eingestellt werden, BEVOR Sie den Netzstecker in die Steckdose einstecken. Die folgenden Netzspannungen werden verwendet:
..... 110/120/220/230–240 V Netzspannung, 50/60 Hz

Vorsichtshinweise zum Transport des Gerätes

- Nehmen Sie alle Discs aus der Disc-Auflage, bevor Sie dieses an einen anderen Ort befördern. und drücken Sie dann die Taste OPEN/CLOSE, um die CD-Auflage zu schließen. Schalten Sie die Stromversorgung des Gerätes dann aus, nachdem Sie sich davon überzeugt haben, dass auf dem Frontplatten-Display die folgende Anzeige erscheint.

NO DISC

Wenn die Netztaaste ausgeschaltet wird, bevor die obenstehende Anzeige erscheint, wird der Gerätemechanismus nicht verriegelt und das Gerät kann beim Transport beschädigt werden.

Dieses Gerät ist nicht vom Netz abgetrennt, solange der Netzstecker eingesteckt ist, auch wenn Sie das Gerät selber mit dem Schalter ϕ ausschalten.

WARNUNG

UM DIE GEFAHR EINES FEUERS ODER EINES ELEKTROSCHOCKS ZU VERMEIDEN, DARF DAS GERÄT WEDER REGEN NOCH FEUCHTIGKEIT AUSGESETZT WERDEN.

VORSICHT MIT DEM LASER

Dieses Gerät enthält einen Laser. Um unnötige Augenverletzungen zu vermeiden, sollten Sie alle Wartungs- und Reparaturarbeiten einem qualifiziertem Wartungstechniker überlassen.

GEFAHR

Sichtbare Laserstrahlen bei geöffneter Abdeckung. Achten Sie darauf, nicht direkt in den Laserstrahl zu blicken. Wenn dieses Gerät an eine Netzdose angeschlossen ist, blicken Sie niemals in die Öffnung der Disc-Schublade oder in andere Öffnungen.

Die Laser-Komponente in diesem Produkt kann eine Strahlung abgeben, die den Grenzwert der Klasse 1 übersteigt.

INHALT

EINFÜHRUNG

BEDIENELEMENTE UND IHRE

FUNKTIONEN	2
Vorderseite	2
Anschlüsse auf der Rückseite	4
Fernbedienung	5

BETRIEB

EINLEGEN UND ABSPIELEN VON DISCS 8

Programmwiedergabe [Audio CD]	8
PLAYXCHANGE	8

WIEDERGABE VON iPod/USB-GERÄTEN 9

Anschließen von iPod/USB-Geräten	9
Wiedergeben von Musik von einem iPod	9
Wiedergeben von Musik von USB-Geräten	9
Trennen des Anschlusses von iPod/USB-Geräten ...	10
Unterstützte iPod/USB-Geräte	10

WEITERE INFORMATIONEN

ABSPIELBARE DISC- UND

DATEIFORMATE	11
--------------------	----

VERWENDEN DER ERWEITERTEN

EINSTELLUNGEN	13
---------------------	----

STÖRUNGSBEHEBUNG	14
------------------------	----

TECHNISCHE DATEN	15
------------------------	----

■ Merkmale


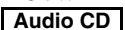
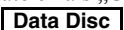

- Auto-Wechsler mit 5-Disc-Karussell
- Komplettes öffnendes Disc-Fach für gleichzeitigen Austausch von 5 Discs
- PLAYXCHANGE; Disc-Austausch während eine Disc abgespielt wird
- Optischer Digitalausgang
- Wiedergabe von CD-R- und CD-RW-Discs möglich (Einzelheiten dazu finden Sie auf Seite 11.)
- Wiedergabe von MP3- und WMA-Discs möglich
- Wiedergabe von auf einem USB-Gerät gespeicherten MP3- und WMA-Dateien möglich (Einzelheiten dazu finden Sie auf Seite 11.)
- Wiedergabe vom iPod möglich
- Programmwiedergabe (nur Audio CD)
- Wiedergabe in willkürlicher Reihenfolge (außer iPod)
- Wiederholte Wiedergabe einzelner Titel/Dateien, der ganzen Disc bzw. des ganzen Ordners/Geräts
- Wiederholte A-B-Wiedergabe (nur Audio CD)
- Informationen im Display und Helligkeit einstellbar
- PURE DIRECT-Funktion

■ Mitgeliefertes Zubehör

Bitte überprüfen Sie, ob Sie alle folgenden Teile erhalten haben:

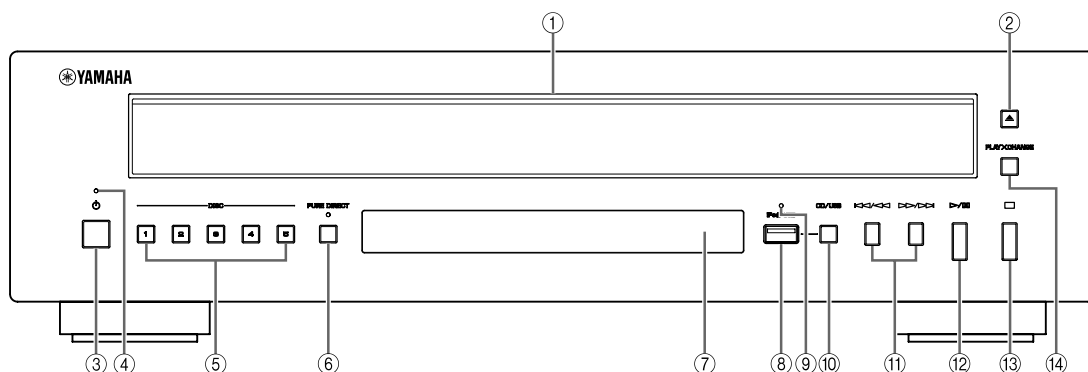
- Netzkabel
- Fernbedienung
- Batterien (AA, R6, UM-3) (×2)
- Stereo-Cinchkabel

■ Hinweise zu dieser Anleitung

-  weist auf einen Tipp für die Bedienung hin.
- In dieser Anleitung werden Audio-CDs als „Audio CD“, MP3-/WMA-Discs als „Data Disc“ und auf dem USB-Gerät gespeicherte MP3-/WMA-Dateien als „USB“ bezeichnet.
- Die Symbole ,  und  weisen auf Musikdatenformate hin, die für die jeweilige Funktion verwendet werden können.
- Diese Anleitung wird vor der Produktion gedruckt. Änderungen des Designs und der technischen Daten im Sinne ständiger Verbesserungen usw. vorbehalten. Im Fall einer Differenz zwischen der Anleitung und dem Produkt, weist das Produkt Priorität auf.

BEDIENELEMENTE UND IHRE FUNKTIONEN

Vorderseite



① Disc-Fach

Zum Laden einer Disc.

② (Öffnen/Schließen)

Zum Öffnen bzw. Schließen des Disc-Faches. Einlegen und Herausnehmen von Discs siehe Seite 8.

③ (Power)

Drücken Sie in Richtung ON, um das Gerät einzuschalten.



- Die Anzeige power oben leuchtet auf, wenn das Gerät eingeschaltet wird.
- Mit der Taste STNDBY/ON auf der Fernbedienung können Sie das Gerät in den Bereitschaftsmodus schalten.
- Dieses Gerät ist mit einer Auto-Standby-Funktion ausgestattet. Wenn Sie diese Funktion einschalten, schaltet das Gerät automatisch in den Bereitschaftsmodus, wenn 30 Minuten lang keine Disc-Wiedergabe stattfindet. Einzelheiten dazu finden Sie auf Seite 13.

④ Anzeige power

Die Anzeige leuchtet wie folgt:

ON: Leuchtet

Bereitschaftsmodus: Dunkel

OFF: Aus

⑤ DISC (1-5)

Wählt eine gewünschte Disc aus und startet die Wiedergabe.

⑥ PURE DIRECT

Zum Aktivieren bzw. Deaktivieren des Modus PURE DIRECT zur Verbesserung der Tonqualität.



- Die Anzeige PURE DIRECT leuchtet auf.
- Der Digitalausgang wird deaktiviert.
- Die Anzeige im Display an der Vorderseite wird während der Wiedergabe weitgehend ausgeblendet und nur die unbedingt erforderlichen Anzeigen und Meldungen sind zu sehen.

Hinweis

Verwenden Sie beim Anschließen die Anschlüsse ANALOG OUT, wenn Sie den Modus PURE DIRECT verwenden (siehe Seite 4).

⑦ Fernbedienungssensor

Empfängt die Signale von der Fernbedienung.

⑧ iPod/USB-Anschluss

Schließen Sie Ihren iPod oder Ihr USB-Gerät an. Einzelheiten dazu finden Sie auf Seite 9.

⑨ iPod/USB-Anzeige

Aus: CD-Modus ist ausgewählt.

Orange: Verbindung ist bereit.

Grün: iPod/USB ist angeschlossen. Es wurden abspielbare Dateien gefunden (zur Wiedergabe bereit).

⑩ CD/USB

Zum Wechseln zwischen CD-Modus und iPod/USB-Modus. Siehe Seite 9.



Wenn die iPod/USB-Anzeige nicht leuchtet, befindet sich das Gerät im CD-Modus.

⑪ / (Überspringen/Suchen rückwärts), / (Überspringen/Suchen vorwärts)

/ : Weiter zum nächsten Titel.

/ : Zurück an den Anfang des aktuellen Titels.

/ (zweimal): Zurück zum vorherigen Titel.

Halten Sie / bzw. / zum Rückwärtssuchen/Vorwärtssuchen gedrückt.

⑫ (Wiedergabe) / (Pause)

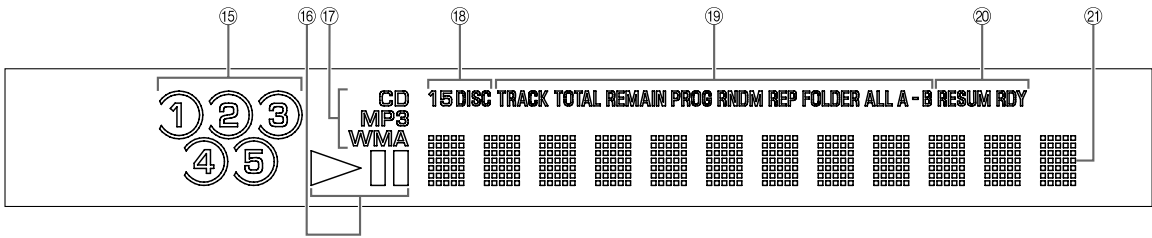
Startet oder unterbricht die Wiedergabe. Drücken Sie / erneut, um die Wiedergabe fortzusetzen.

⑬ (Stopp)

Zum Stoppen der Wiedergabe.

⑭ PLAYXCHANGE

Öffnet das Disc-Fach ohne Unterbrechung der laufenden Wiedergabe. Einzelheiten dazu finden Sie auf Seite 8.



15 Disc-Auswahlanzeige

Die Nummern der Fächer, die eine Disc enthalten, leuchten auf. Die umrahmte Nummer zeigt die momentan ausgewählte Disc an.

Hinweis

Bevor das Disc-Fach ausgewählt wird, kann möglicherweise die zu einem leeren Disc-Fach gehörende Nummer aufleuchten. Wenn das Disc-Fach nach dem Einlegen/Austauschen von Discs geschlossen wird, sucht dieses Gerät Discs, beginnend bei Disc-Fach 1. Während der Suche erlöschen die Nummern der leeren Disc-Fächer. Wenn eine Disc gefunden wurde, wird die Suche beendet und die verbleibenden Disc-Fächer werden nicht weiter durchsucht.

16 Statusanzeige für die Wiedergabe

Leuchtet auf, wenn sich das Gerät im Wiedergabe- oder Pause-Modus befindet.

17 Anzeige für Quelltyp

Zeigt den gerade wiedergegebenen Inhaltstyp an.

18 Modusanzeige für die Wiedergabe

Zeigt den gewählten Disc-Wiedergabemodus an (1DISC oder 5DISC). Einzelheiten dazu finden Sie auf „MODE“ (Seite 5).

19 Zeitanzeige und Anzeige für Wiedergabemodus

Zeigt den aktuellen Wiedergabemodus und den Status der Zeitangaben an (Wiedergabemodi siehe Seiten 5 und 8, Zeitangaben siehe Seite 6).

20 Anzeige für erweiterte Einstellungen

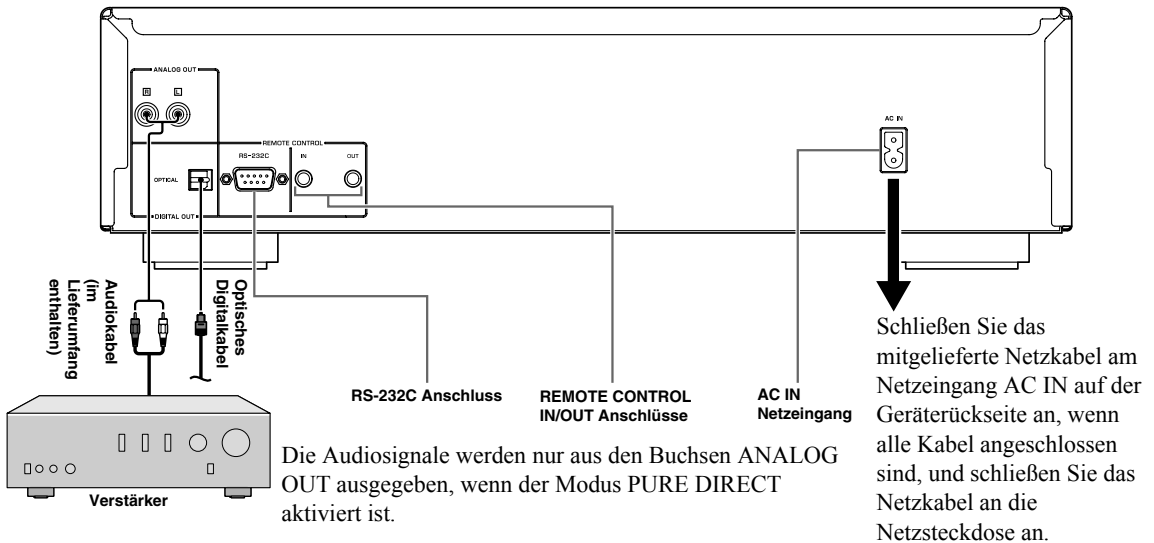
Zeigt die aktivierten Spezialmodi an. Einzelheiten dazu finden Sie auf „VERWENDEN DER ERWEITERTEN EINSTELLUNGEN“ (Seite 13).

21 Multi-Informationsdisplay

Anschlüsse auf der Rückseite

VORSICHT

Bevor Sie irgendwelche Anschlüsse vornehmen, schalten Sie das Gerät, den Verstärker und alle anderen Komponenten aus.



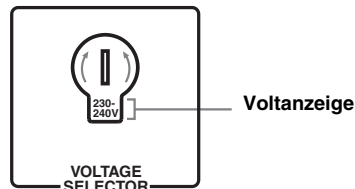
■ VOLTAGE SELECTOR (nur Modell für Asien und internationales Modell)

VORSICHT

Der VOLTAGE SELECTOR an der Rückseite dieses Geräts muss auf die lokale Netzspannung eingestellt werden, BEVOR Sie das mitgelieferte Netzkabel an eine Netzsteckdose anschließen. Wenn der VOLTAGE SELECTOR nicht richtig eingestellt ist, kann dieses Gerät beschädigt werden und es besteht Feuergefahr. Drehen Sie den VOLTAGE SELECTOR mit einem Schlitzschraubenzieher im oder gegen den Uhrzeigersinn in die richtige Position.

Folgende Spannungen stehen zur Verfügung:

.....110/120/220/230-240 V Wechselspannung, 50/60 Hz



Für kundenspezifische Installation

■ REMOTE CONTROL IN/OUT Anschlüsse

Diese Anschlüsse werden bei kundenspezifischer Installation verwendet. Wenn dieses Gerät mit den Komponenten einer kundenspezifischen Installation verbunden wird, können Sie es mit der Fernbedienung des kundenspezifischen Systems bedienen.

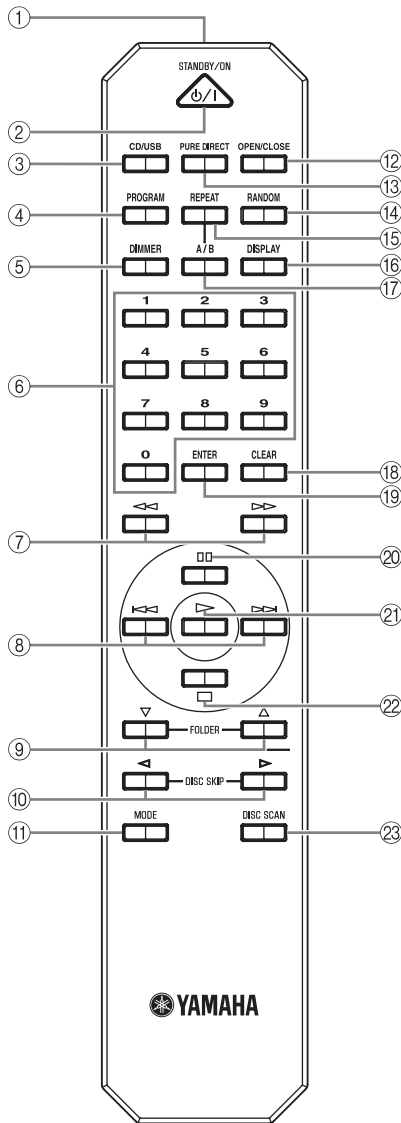
Verbinden Sie den Anschluss **REMOTE CONTROL IN** dieses Geräts mit dem Ausgangsanschluss des zentralen Steuergeräts des kundenspezifischen Systems.

Wenn Sie den Anschluss **REMOTE CONTROL OUT** dieses Geräts mit dem Fernbedienungs-Eingangsanschluss der anderen Komponente verbinden, können Sie es auch mit der System-Fernbedienung bedienen. Auf diese Weise können bis zu 6 Komponenten in Reihe angeschlossen werden.

■ RS-232C Anschluss

Dieses Gerät ist außerdem mit einem RS-232C Anschluss ausgestattet. Fragen Sie Ihren Händler nach Einzelheiten.

Fernbedienung



① Infrarotsender

Sendet Infrarotsignale an dieses Gerät.

② STANDBY/ON

Schaltet dieses Gerät ein oder in den Bereitschaftsmodus, wenn ϕ (Power) auf der Vorderseite in Richtung ON gedrückt wird.

Hinweis

Sie können dieses Gerät erst bedienen, wenn ϕ (Power) auf der Vorderseite in die Position ON gebracht wurde.

③ CD/USB

Zum Wechseln zwischen CD-Modus und iPod/USB-Modus (siehe Seite 9).



Diese Einstellung bleibt gespeichert, auch wenn das Gerät ausgeschaltet wird.

④ PROGRAM

Zum Ein-/Ausschalten des Programmwiedergabemodus. Siehe „Programmwiedergabe“ auf Seite 8.

⑤ DIMMER

Bei jedem Tastendruck auf DIMMER, wechselt die Helligkeit um 4 Stufen.



Diese Einstellung bleibt gespeichert, auch wenn das Gerät ausgeschaltet wird.

⑥ Zahlentasten

Zum direkten Auswählen eines Titels auf der Disc oder einer Datei im aktuellen Ordner.

⑦ ◀◀ (Suchen rückwärts), ▶▶ (Suchen vorwärts)

Zum Suchen rückwärts/vorwärts nach Titeln bei gedrückter Taste.

⑧ ◀◀ (Überspringen rückwärts), ▶▶ (Überspringen vorwärts)

▶▶: Weiter zum nächsten Titel.

◀◀: Zurück zum Anfang des aktuellen Titels.

◀◀ (zweimal): Zurück zum vorherigen Titel.

⑨ FOLDER ▾ (Ordner nach unten), ▴ (Ordner nach oben)

Data Disc **USB**

▾: Zum Wechseln zum vorherigen Ordner.

▴: Zum Wechseln zum nächsten Ordner.

Einzelheiten dazu finden Sie auf Seite 9.

⑩ DISC SKIP ◀ (Vorherige Disc), ▶ (Nächste Disc)

Springt zur vorherigen/nächsten Disc.

⑪ MODE

Schaltet den Disc-Wiedergabemodus um zwischen 1DISC und 5DISC.

Im Modus 1DISC wird nur die ausgewählte Disc wiedergegeben.

Im Modus 5DISC werden alle eingelegten Discs nacheinander wiedergegeben.

⑫ OPEN/CLOSE

Zum Öffnen bzw. Schließen des Disc-Faches. Sie können bis zu fünf Discs gleichzeitig einlegen bzw. austauschen. Einzelheiten dazu finden Sie auf Seite 8.

⑬ PURE DIRECT

Zum Aktivieren bzw. Deaktivieren des Modus PURE DIRECT zur Verbesserung der Tonqualität. Einzelheiten dazu finden Sie auf Seite 2.



Diese Einstellung bleibt gespeichert, auch wenn das Gerät ausgeschaltet wird.

⑭ RANDOM

Zum Ein-/Ausschalten des Modus zur Wiedergabe in willkürlicher Reihenfolge.

Hinweis

Der Modus zur Wiedergabe in willkürlicher Reihenfolge wird deaktiviert, wenn die Disc ausgeworfen wird.

15 REPEAT

Zum wiederholten Wiedergeben eines einzelnen Titels oder aller Titel. Bei jedem Tastendruck auf REPEAT während der Wiedergabe wird der Wiederholungswiedergabe-Modus folgendermaßen geändert:

- REP TRACK (Einzeltitel wiederholen): Ein einzelner Titel wird wiederholt wiedergegeben.
- REP ALL (Alles wiederholen): Alle Titel (die ganze Disc) werden wiederholt wiedergegeben.

Data Disc **USB**

- REP FOLDER (Ordner wiederholen): Alle Dateien (der ganze Ordner) werden wiederholt wiedergegeben.

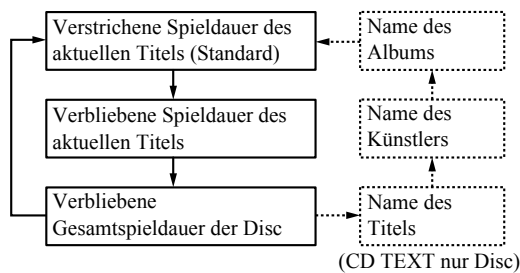


Die Wiederholungswiedergabe funktioniert mit Programmwiedergabe und Wiedergabe in willkürlicher Reihenfolge.

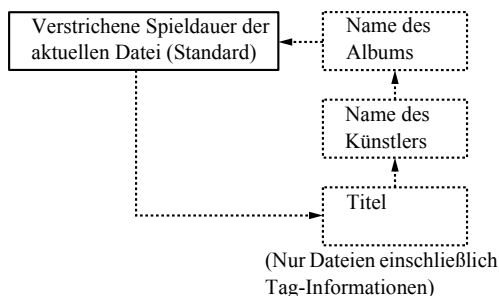
16 DISPLAY

Zum Wechseln der Zeitangaben. Bei jedem Tastendruck auf DISPLAY während der Wiedergabe ändert sich die Zeitanzeige folgendermaßen:

Audio CD



Data Disc **USB**



17 A/B **Audio CD**

Wiederholte Wiedergabe eines bestimmten Abschnitts eines Titels. Drücken Sie A/B während der Wiedergabe zweimal, um die Start- und Endpunkte (A und B) festzulegen. Zum Stoppen der A-B-Wiederholung drücken Sie A/B erneut.

Hinweise

- Die A-B-Wiederholung kann nicht über mehrere Titel hinweg festgelegt werden.
- Die A-B-Wiederholung steht für Data Disc und USB nicht zu Verfügung.
- Wenn Sie die Wiedergabe mit □ (Stopp), wird die A-B-Wiederholung deaktiviert.
- Sie können die A-B-Wiederholung nicht verwenden, wenn sich das Gerät im Modus PURE DIRECT befindet.

18 CLEAR

Zum Löschen des programmierten Titels.

19 ENTER

Zum Bestätigen einer Titelnummer, die bei der Titelprogrammierung eingegeben wurde.

20 ⏸ (Pause)

Zum Unterbrechen der Wiedergabe. Setzen Sie die Wiedergabe mit ▷ oder ⏸ fort.

21 ▷ (Wiedergabe)

Zum Starten der Wiedergabe.

22 □ (Stopp)

Zum Stoppen der Wiedergabe.

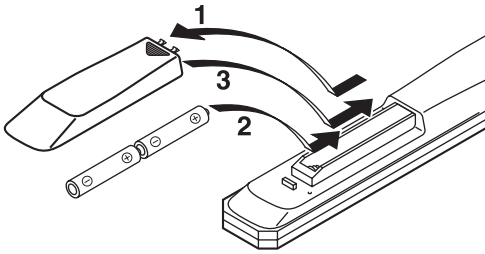
23 DISC SCAN

Eingelegte Discs werden gescannt und von jeder Disc wird ein Ausschnitt von 10 Sekunden wiedergegeben, so dass Sie nach der gewünschten Disc suchen können. Um den Scanvorgang abubrechen und auf normale Wiedergabe umzuschalten, drücken Sie DISC SCAN erneut oder drücken Sie ▷ (Wiedergabe).

Hinweise

- Während des Scanvorgangs blinkt die Nummer des momentan wiedergegebenen Disc-Fachs im Display. Die Nummer hört auf zu blinken und leuchtet kontinuierlich, wenn die Wiedergabe der Disc beendet wurde.
- Wenn die momentan wiedergegebene Disc einen langen, leeren Zwischenraum zwischen den Titeln aufweist, hören Sie während des Disc-Scanvorgangs keinen Ton.

■ Einlegen der Batterien in die Fernbedienung



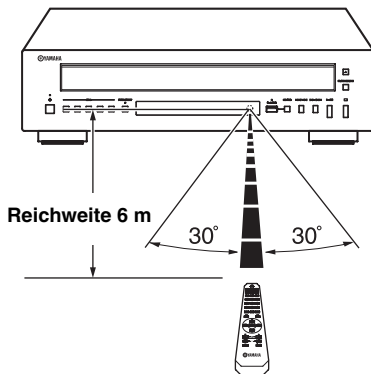
1 Drücken Sie auf den Bereich mit der Markierung ▼ und schieben Sie die Abdeckung des Batteriefachs auf.

2 Legen Sie die beiden mitgelieferten Batterien (AA, R6, UM-3) gemäß den Polaritäts-Markierungen (+ und -) im Inneren des Batteriefachs ein.

3 Schieben Sie die Abdeckung wieder zurück, so dass sie einrastet.

■ Verwenden der Fernbedienung

Die Fernbedienung gibt einen gerichteten Infrarotstrahl aus. Achten Sie darauf, die Fernbedienung zum Steuern des Geräts direkt auf den Fernbedienungssensor an der Vorderseite des Geräts zu richten.



■ Hinweise zu den Batterien

- Wechseln Sie alle Batterien aus, wenn die Reichweite der Fernbedienung merklich nachlässt.
- Verwenden Sie Mignonzellen (AA, R6).
- Achten Sie auf richtige Polarität. Siehe die Abbildung im Batteriefach.
- Nehmen Sie die Batterien aus dem Batteriefach, wenn die Fernbedienung für längere Zeit nicht verwendet werden soll.
- Verwenden Sie niemals alte Batterien gemeinsam mit neuen Batterien.
- Verwenden Sie niemals gleichzeitig Batterien unterschiedlichen Typs (wie z.B. Alkali- und Manganbatterien). Lesen Sie die Aufschrift auf der Verpackung aufmerksam durch, da diese unterschiedlichen Batterietypen gleiche Form und Farbe aufweisen können.
- Falls die Batterien auslaufen sollten, entsorgen Sie diese unverzüglich. Vermeiden Sie eine Berührung des ausgelaufenen Materials, und lassen Sie dieses niemals in Kontakt mit Ihrer Kleidung usw. kommen. Reinigen Sie das Batteriefach gründlich, bevor Sie neue Batterien einsetzen.
- Die Batterien nicht mit dem normalen Haushaltsmüll wegwerfen, sondern in Übereinstimmung mit den örtlichen Vorschriften entsorgen.

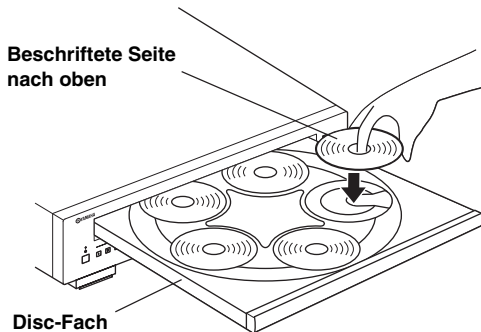
■ Handhabung der Fernbedienung

- Der Bereich zwischen der Fernbedienung und diesem Gerät muss frei von Hindernissen sein.
- Achten Sie darauf, dass kein Wasser oder andere Flüssigkeiten auf die Fernbedienung verschüttet werden.
- Lassen Sie die Fernbedienung nicht fallen.
- Belassen oder lagern Sie die Fernbedienung niemals unter den folgenden Bedingungen:
 - Stellen mit hoher Feuchtigkeit, wie zum Beispiel in der Nähe eines Bades
 - Stellen mit hohen Temperaturen, wie zum Beispiel in der Nähe einer Heizung oder eines Ofens
 - Stellen mit extrem niedrigen Temperaturen
 - Staubige Orte
- Setzen Sie den Fernbedienungssensor niemals einer starken Lichtquelle aus, und besonders keiner Beleuchtung durch Inverter-Leuchtstofflampen, da anderenfalls die Fernbedienung vielleicht nicht richtig arbeiten kann. Falls erforderlich, stellen Sie dieses Gerät an einer anderen Stelle außerhalb des direkten Sonnenlichts auf.

EINLEGEN UND ABSPIELEN VON DISCS

Sie können fünf Discs gleichzeitig einlegen bzw. austauschen.

- 1 Drücken Sie OPEN/CLOSE, um das Disc-Fach zu öffnen und Discs einzulegen.**
Verwenden Sie die Disc-Führungen, um die Discs korrekt im Disc-Fach auszurichten.



Hinweis

Zum Abspielen einer 8-cm-CD, legen Sie diese in die innere Vertiefung des Disc-Fachs. Legen Sie keine normale 12-cm-CD auf eine 8-cm-CD.

- 2 Drücken Sie OPEN/CLOSE, um das Disc-Fach zu schließen.**
- 3 Drücken Sie MODE, um den gewünschten Disc-Wiedergabemodus (1DISC oder 5DISC) zu wählen, und vergewissern Sie sich, dass er auf dem Display angezeigt wird.**
1DISC: Nur die ausgewählte Disc wird abgespielt.
5DISC: Alle Discs im Disc-Fach werden nacheinander abgespielt.
- 4 Drücken Sie ▷ (Wiedergabe), um die Wiedergabe des ersten Titels oder der ersten Datei von Disc 1 zu starten.**
- 5 (Falls erforderlich) Wählen Sie mit DISC SKIP ◀ / ▶, oder einer der Tasten DISC (1-5) an der Gerätevorderseite eine gewünschte Disc aus.**

Programmwiedergabe

Audio CD

Im Programmwiedergabemodus können Sie Titel in einer programmierten Reihenfolge wiedergeben.

Hinweise

- Sie können die Wiedergabe der Titel aller eingelegten Discs (1-5) in beliebiger Reihenfolge programmieren.
- Die programmierte Reihenfolge der Titel wird gelöscht, wenn die Disc ausgeworfen wird, wenn dieses Gerät ausgeschaltet oder in den Bereitschaftsmodus geschaltet wird.

- 1 Drücken Sie PROGRAM, während die Wiedergabe angehalten ist.**
Das Gerät wechselt in den Programmbearbeitungsmodus.

- 2 Wählen Sie mit einer der Tasten DISC (1-5) an der Gerätevorderseite oder mit DISC SKIP ◀ / ▶ auf der Fernbedienung eine gewünschte Disc aus.**

- 3 Wählen Sie mit den Zahlentasten und ENTER den gewünschten Titel aus.**

- 4 Wiederholen Sie die Schritte 2 und 3, um den nächsten Titel zu programmieren.**
Es können bis zu 24 Titel programmiert werden.



Zum Löschen des programmierten Titels drücken Sie CLEAR.

- 5 Drücken Sie ▷ .**
Die Wiedergabe beginnt beim Anfang der programmierten Reihenfolge.



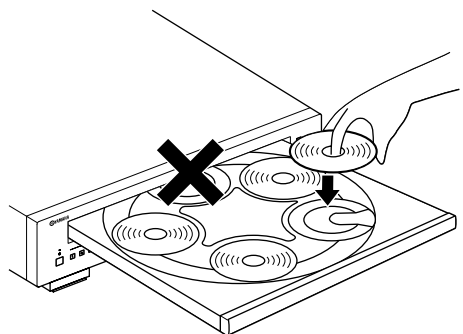
Zum Löschen aller programmierten Titel drücken Sie CLEAR, wenn die Wiedergabe angehalten wurde.

PLAYXCHANGE

Die Funktion PLAYXCHANGE erlaubt das Austauschen von Discs ohne Unterbrechung der laufenden Wiedergabe. Drücken Sie die Taste PLAYXCHANGE an der Gerätevorderseite, um das Disc-Fach zu öffnen und Discs auszutauschen.

VORSICHT

Versuchen Sie niemals, eine Disc in die Position einzulegen, die in untenstehender Abbildung mit x markiert ist. Dies kann das Gerät und die Disc beschädigen, da sich in dieser Position die gerade abgespielte Disc befindet.



Hinweis

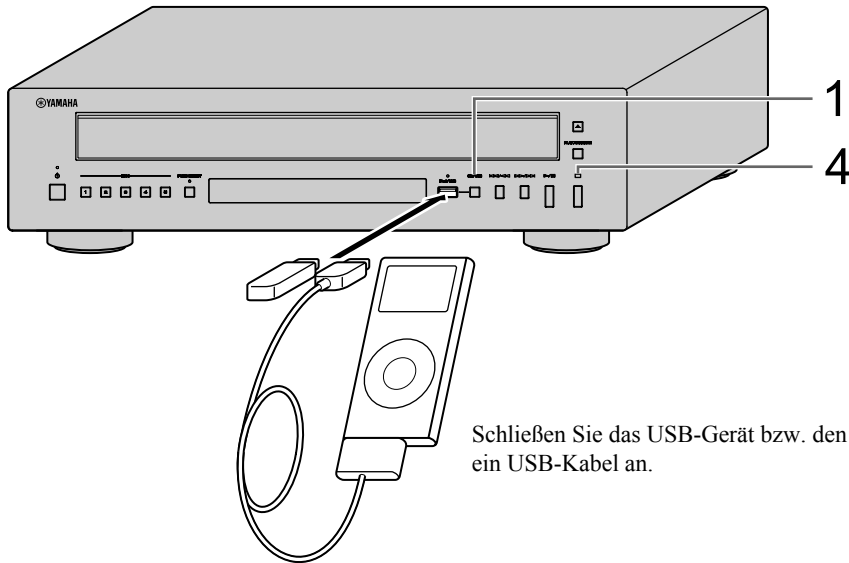
Die DISC SKIP-Tasten sind funktionslos während das Disc-Fach geöffnet ist.

WIEDERGABE VON iPod/USB-GERÄTEN

Anschließen von iPod/USB-Geräten

Hinweise iPod

- Verwenden Sie das USB-Kabel, das mit dem iPod mitgeliefert wurde. Wenn kein USB-Kabel im Lieferumfang enthalten war, erwerben Sie eines von Apple Inc.
- Schalten Sie Ihren iPod aus.
- Verwenden Sie keinen USB-Hub.



Schließen Sie das USB-Gerät bzw. den iPod über ein USB-Kabel an.

Wiedergeben von Musik von einem iPod

1 Drücken Sie CD/USB, um den iPod/USB-Modus auszuwählen.

Die iPod/USB-Anzeige an der Vorderseite leuchtet orange auf und dann grün, wenn das Gerät zur Wiedergabe bereit ist.

2 Zum Starten der Wiedergabe.

Über Ihren iPod können Sie die Wiedergabe starten, einen Titel auswählen, unterbrechen und anhalten.



Ferner stehen die folgenden Tasten zur Verfügung: ▷ (Wiedergabe), || (Pause), □ (Stopp), ◀◀ (Überspringen rückwärts), ▶▶ (Überspringen vorwärts), ◀◀ (Suchen rückwärts) und ▶▶ (Suchen vorwärts) am Gerät oder auf der Fernbedienung.

Hinweis

Der iPod funktioniert möglicherweise nicht korrekt mit diesem Gerät, wenn die Software auf dem iPod nicht aktualisiert wird. Stellen Sie sicher, dass Sie die neueste Version der iPod-Software verwenden.

Wiedergeben von Musik von USB-Geräten

1 Drücken Sie CD/USB, um den iPod/USB-Modus auszuwählen.

Die iPod/USB-Anzeige an der Vorderseite des Geräts leuchtet auf.

2 Zum Starten der Wiedergabe.

Wenn das USB-Gerät abspielbare Dateien enthält, zeigt die Anzeige im Display an der Vorderseite den Dateinamen an und die Wiedergabe startet automatisch sortiert nach Erstellungsdatum und -uhrzeit.

3 Zum Auswählen eines Titels.

Drücken Sie FOLDER ▽ / △ auf der Fernbedienung, um einen Ordner auszuwählen, und drücken Sie dann ◀◀/▶▶ oder eine Zahlentaste, um einen Titel auszuwählen.

4 Zum Stoppen der Wiedergabe.

Drücken Sie □ (Stopp).

Einzelheiten zur Wiedergabe von MP3/WMA finden Sie auf Seite 11.

Trennen des Anschlusses von iPod/USB-Geräten

Stoppen Sie die Wiedergabe und trennen Sie den Anschluss von iPod bzw. USB-Gerät. Es wird empfohlen, durch Drücken von CD/USB in den CD-Modus zu wechseln. Überprüfen Sie, ob die CD/USB-Anzeige erlischt, und trennen Sie dann das iPod/USB-Geräte.

VORSICHT

Trennen Sie Ihren iPod oder Ihr USB-Gerät nicht, während von diesem Gerät wiedergegeben wird oder während „USB READING“ im Display auf der Vorderseite angezeigt wird.

Unterstützte iPod/USB-Geräte

■ **Unterstützte iPod-Modelle**

- iPod classic (einschließlich Modell mit 120 GB)
- iPod nano (2., 3. und 4. Generation)
- iPod touch (1. und 2. Generation)

(ab April 2009)

Hinweise

- iPod wird unter der Bedingung lizenziert, dass Einzelpersonen nicht urheberrechtlich geschütztes Material nur für private Zwecke nutzen bzw. nur für die Vervielfältigung und Wiedergabe genehmigtes Material vervielfältigen und abspielen. Die Verletzung des Urheberrechts ist gesetzlich verboten.
- Yamaha und seine Zulieferer übernehmen keine Haftung für den Verlust von Daten, die auf iPod-Geräten gespeichert sind, die an dieses Gerät angeschlossen werden. Als Vorsichtsmaßnahme empfiehlt es sich, Sicherungskopien anzulegen.

■ **Unterstützte USB-Geräte**

Dieses Gerät unterstützt Geräte der USB-Massenspeicherklasse (z. B. Flash-Speicher, Kartenleser oder tragbare Audioplayer), die das Format FAT16 oder FAT32 verwenden.

Hinweise

- Manche Geräte funktionieren möglicherweise nicht einwandfrei, auch wenn sie den Voraussetzungen entsprechen.
- Dieses Gerät unterstützt keine verschlüsselten USB-Speichermedien.
- Schließen Sie keine anderen Geräte als Geräte der USB-Massenspeicherklasse an: USB-Ladegeräte, USB-Hubs, PCs, externe Festplatten usw.
- Wenn Sie gleichzeitig zwei oder mehr Speicherkarten in einen Kartenleser einschieben, der an den iPod/USB-Anschluss an dieses Gerät angeschlossen ist, wird nur eine der Speicherkarten erkannt.
- Yamaha und seine Zulieferer übernehmen keine Haftung für den Verlust von Daten, die auf USB-Geräten gespeichert sind, die an dieses Gerät angeschlossen werden. Als Vorsichtsmaßnahme empfiehlt es sich, Sicherungskopien anzulegen.
- Die Wiedergabe und die Stromversorgung sind nicht bei allen Arten von USB-Geräten gewährleistet.

ABSPIELBARE DISC- UND DATEIFORMATE

■ Abspielbare MP3- und WMA-Dateien (USB-Gerät und Data Disc)

MP3

Format	Bitrate (kbps)	Abtastfrequenz (kHz)
MPEG 1 Audio Layer-3	32-320 *	32/44,1/48
MPEG 2 Audio Layer-3, 2	8-160 *	16/22,05/24
MPEG-2.5 Audio Layer-2	8-160 *	8/11,025/12

* Variable Bitraten werden ebenfalls unterstützt.

WMA

- Version 8
- Version 9 (Standard- und variable Bitraten werden unterstützt. Professional und Lossless werden nicht unterstützt.)

Profil	Bitrate (kbps)	Abtastfrequenz (kHz)
High Profile	32-320 *	32/44,1/48
Mid Profile	16-32	16/22,05

* Variable Bitraten werden ebenfalls unterstützt.

Hinweise

- Die Wiedergabe erfolgt bei einer Data Disc in alphanumerischer Reihenfolge.
- Die Wiedergabe erfolgt bei USB in der Reihenfolge von Datum und Uhrzeit der Dateierstellung.
- Urheberrechtlich geschützte WMA (DRM)-Dateien können mit diesem Gerät nicht wiedergegeben werden.
- Die Disc muss mit ISO 9660 kompatibel sein.
- Die verstrichene Spieldauer wird möglicherweise nicht korrekt angezeigt, wenn Inhalte mit variablen Bitraten wiedergegeben werden.

	Data Disc	USB
Höchstzahl an Dateien	999	32767
Höchstzahl an Ordnern	256	256
Höchstzahl an Dateien pro Ordner	512	512

■ Abspielbare Discs

Verwenden Sie CDs der folgenden Typen.



.... CDs (digitaler Ton)



.... CD-R- und CD-RW-Discs (digitaler Ton)

- CD-R- oder CD-RW-Discs, die folgendermaßen gekennzeichnet sind:
FOR CONSUMER
FOR CONSUMER USE
FOR MUSIC USE ONLY
- Abgeschlossene CD-R- oder CD-RW-Discs.



Hinweis

Mit diesem CD-Player können CD-R/CD-RW-Discs oder Discs, die nicht korrekt bespielt wurden, möglicherweise nicht abgespielt werden.



.... CD-TEXT-Discs

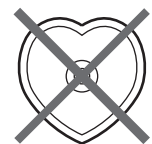
- Bei der Wiedergabe einer CD mit CD TEXT werden der Disc-Titel, der Name des Künstlers und der Name des Titels zusätzlich zur Zeitanzeige angezeigt.

So lassen Sie eine 8-cm-CD (Single-CD) wiedergeben

Legen Sie sie in die innere Vertiefung des Disc-Fachs.
Legen Sie keine normale 12-cm-CD auf eine 8-cm-CD.

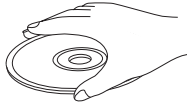
So verhindern Sie Fehlfunktionen des Geräts:

- Verwenden Sie nur Discs in Standardform. Anders geformte Discs (z. B. Herzen), die auf dem Markt erhältlich sind, können das Gerät beschädigen.
- Verwenden Sie keine Disc, auf der sich Aufkleber, Klebstoff o. Ä. befindet. Wenn Sie eine solche Disc verwenden, kann sie im Gerät stecken bleiben oder das Gerät beschädigen.

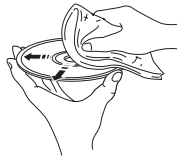


■ Hinweise zum Umgang mit CDs

- Behandeln Sie Discs immer mit Sorgfalt, so dass die Oberfläche nicht zerkratzt wird. Achten Sie darauf, dass sich die Disc nicht verformt.



- Reinigen Sie die Wiedergabeoberfläche mit einem sauberen, trockenen Tuch. Verwenden Sie keine Disc-Reinigungsmittel, Sprays oder andere chemische Reinigungsmittel.
- Wischen Sie nicht in kreisförmigen Bewegungen über die CD, sondern immer von der Mitte nach außen.



- Verwenden Sie zum Schreiben auf der beschreibbaren Disc-Seite einen Filzstift.
- Wenn eine Disc nicht mehr abgespielt werden soll, nehmen Sie sie aus dem Gerät heraus und bewahren Sie sie in einer geeigneten Hülle auf.
- Setzen Sie Discs nicht über einen längeren Zeitraum direktem Sonnenlicht, hohen Temperaturen oder hoher Luftfeuchtigkeit aus.

VERWENDEN DER ERWEITERTEN EINSTELLUNGEN

Das Gerät verfügt über die folgenden vier speziellen Modi, die zu bestimmten Zwecken in Geschäften und Büros nützlich sein können.

Hinweis

Die speziellen Funktionen sind mit iPod nicht kompatibel.

Speicher des Wiedergabemodus

Der aktuelle Wiedergabemodus (REPEAT und RANDOM) wird nach dem Ausschalten des Geräts beibehalten. Dadurch müssen Sie den Wiedergabemodus nach dem Ausschalten nicht jedes Mal erneut einstellen. Die Titelnummer wird ebenfalls gespeichert, so dass die Wiedergabe automatisch beim gleichen Titel beginnt, wenn Sie das Gerät erneut einschalten. Die Anzeige RESUM im Display an der Vorderseite leuchtet auf, wenn die Funktion aktiviert ist.

Betriebsbereit-Modus

Zum Unterbrechen der Wiedergabe nach jedem Titel, so dass Sie den nächsten Titel zum gewünschten Zeitpunkt starten können.

Die Anzeige RDY im Display an der Vorderseite leuchtet auf, wenn die Funktion aktiviert ist.

RS-232C ON/OFF

Schaltet den RS-232C Anschluss auf der Rückseite ein oder aus.

Schalten Sie ihn ein, wenn Sie den RS-232C Anschluss verwenden.

Dieser Modus ist bei Lieferung deaktiviert.

Auto-Standby-Funktion

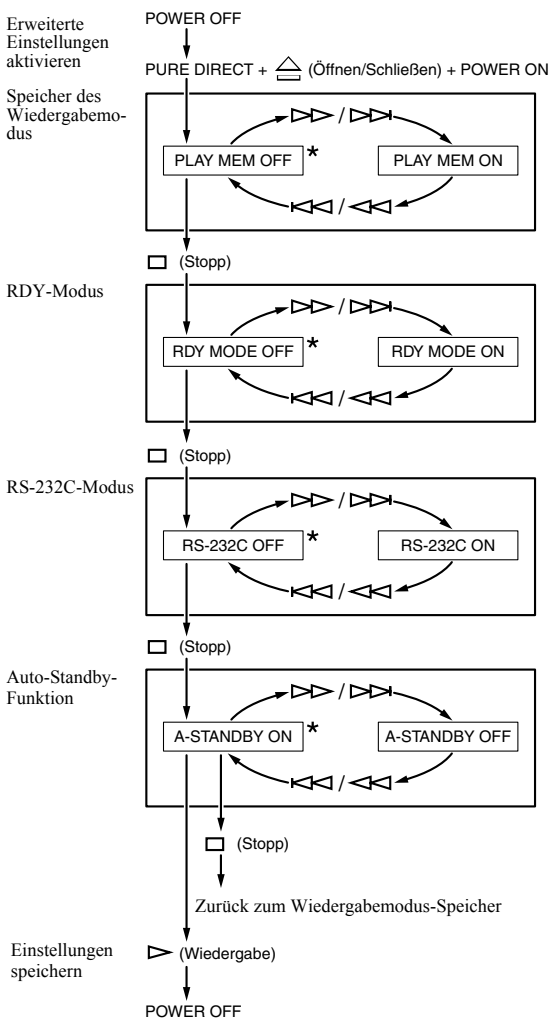
Wenn diese Funktion aktiviert ist, schaltet das Gerät automatisch in den Bereitschaftsmodus, wenn eine der folgenden Bedingungen 30 Minuten lang vorliegt:

- 1) CD-Wiedergabe gestoppt während Gerät in CD-Modus (auch wenn keine oder eine nicht unterstützte Disc eingelegt ist).
- 2) CD-Wiedergabe unterbrochen (Pause).
- 3) Kein USB-Gerät angeschlossen während Gerät in iPod/USB-Modus.
- 4) Nicht unterstütztes USB-Gerät angeschlossen während Gerät in iPod/USB-Modus (iPod/USB-Anzeige leuchtet weiter in orange).

Hinweis

Dieses Gerät schaltet nicht automatisch in den Bereitschaftsmodus wenn ein unterstütztes USB-Gerät oder ein iPod angeschlossen ist (wenn die iPod/USB-Anzeige grün leuchtet).

Zum Aktivieren und Konfigurieren der erweiterten Einstellungen befolgen Sie die folgenden Schritte. Verwenden Sie die Tasten an der Vorderseite des Geräts.



* : Standardeinstellung

Beim nächsten Einschalten wird das Gerät mit den oben festgelegten Einstellungen eingeschaltet.

STÖRUNGSBEHEBUNG

Wenn das Gerät nicht ordnungsgemäß arbeitet, lesen Sie bitte in der folgenden Tabelle nach und überprüfen Sie, ob Sie den Fehler anhand der vorgeschlagenen Abhilfemaßnahmen selbst beheben können. Bleibt der Fehler bestehen oder ist er in der Spalte mit den Problemen nicht aufgeführt, ziehen Sie den Netzstecker heraus und wenden Sie sich an Ihren autorisierten Yamaha-Händler oder -Kundendienst.

Problem	Mögliche Ursachen	Abhilfemaßnahmen	Siehe Seite
Das Gerät lässt sich nicht einschalten.	Das Netzkabel ist nicht an den Netzeingang AC IN an der Rückseite des Geräts angeschlossen oder der Netzstecker steckt nicht in der Netzsteckdose.	Schließen Sie das Netzkabel fest an.	4
Dieses Gerät schaltet sich plötzlich aus.	Die Auto-Standby-Funktion ist eingeschaltet.	Schalten Sie die Auto-Standby-Funktion aus.	13
Das Disc-Fach schließt nicht vollständig.	Ein Fremdkörper blockiert das Fach.	Überprüfen Sie das Disc-Fach sorgfältig und entfernen Sie den Fremdkörper.	—
Die Disc-Wiedergabe startet nicht oder im Display leuchtet keine Discnummer auf.	Die Disc ist beschädigt.	Überprüfen Sie die Disc sorgfältig und tauschen Sie sie gegebenenfalls aus.	—
	Auf dem Laser-Abtaster hat sich Feuchtigkeit niedergeschlagen.	Warten Sie nach dem Einschalten des Geräts 20 bis 30 Minuten, bevor Sie versuchen, eine Disc wiederzugeben.	—
	Die Disc wurde falsch herum eingelegt.	Legen Sie die Disc mit der Beschriftung nach oben ein.	—
	Die Disc ist verschmutzt.	Reinigen Sie die Disc.	13
	Das Format der MP3- oder WMA-Datei ist mit diesem Gerät nicht kompatibel.	Tauschen Sie die Disc gegen eine korrekt bespielte Disc aus, die mit diesem Gerät abgespielt werden kann.	13
	Die CD-RW (wiederbeschreibbar) wurde nicht korrekt bespielt.	Tauschen Sie die Disc gegen eine korrekt bespielte Disc aus, die mit diesem Gerät abgespielt werden kann.	13
	Bei der Disc handelt es sich um eine Disc mit außergewöhnlicher Form, die mit diesem Gerät nicht abgespielt werden kann.	Tauschen Sie die Disc gegen eine korrekt bespielte Disc aus, die mit diesem Gerät abgespielt werden kann.	13
	Das Gerät befindet sich im iPod/USB-Modus.	Wechseln Sie mit der Taste CD/USB in den Disc-Modus.	2
Die iPod-Wiedergabe startet nicht, obwohl ein iPod angeschlossen ist.	Der angeschlossene iPod ist mit diesem Gerät nicht kompatibel.	Schließen Sie einen iPod an, der mit diesem Gerät kompatibel ist. Folgende iPods sind kompatibel: • iPod classic (einschließlich Modell mit 120 GB) • iPod nano (2., 3. und 4. Generation) • iPod touch (1. und 2. Generation) (ab April 2009)	10
	Das Gerät befindet sich im Disc-Modus.	Wechseln Sie mit der Taste CD/USB in den iPod/USB-Modus.	9
Die USB-Wiedergabe wird nicht gestartet.	Das USB-Gerät ist nicht richtig angeschlossen.	Schließen Sie den iPod/das USB-Gerät erneut an.	9
	Das Format der MP3- oder WMA-Datei ist mit diesem Gerät nicht kompatibel.	Tauschen Sie die Datei gegen eine korrekt aufgezeichnete Datei aus, die mit diesem Gerät abgespielt werden kann.	11
	Das Gerät befindet sich im Disc-Modus.	Wechseln Sie mit der Taste CD/USB in den iPod/USB-Modus.	9
Die Wiedergabe beginnt verzögert oder an der falschen Stelle.	Die Disc ist möglicherweise zerkratzt oder beschädigt.	Überprüfen Sie die Disc sorgfältig und tauschen Sie sie gegebenenfalls aus.	11
Es ist kein Ton zu hören.	Die Ausgangskabel sind nicht richtig angeschlossen.	Schließen Sie die Kabel richtig an. Wenn das Problem bestehen bleibt, sind die Kabel möglicherweise defekt.	4
	Der Verstärker ist nicht richtig eingestellt.	Stellen Sie am Verstärker den richtigen Eingang ein.	—

Problem	Mögliche Ursachen	Abhilfemaßnahmen	Siehe Seite
Der Ton von einer Komponente, die an die Buchsen DIGITAL OUT angeschlossen ist, wird nicht wiedergegeben.	PURE DIRECT wurde aktiviert.	Schalten Sie PURE DIRECT aus. Oder nehmen Sie eine analoge Verbindung vor.	2
Der Ton setzt aus.	Das Gerät ist Erschütterungen oder Stößen ausgesetzt.	Stellen Sie das Gerät an einem anderen Ort auf.	—
	Die Disc ist verschmutzt.	Reinigen Sie die Disc.	11
Ein Brummen ist zu hören.	Die Kabel sind nicht richtig angeschlossen.	Schließen Sie die Audiokabel fest an. Wenn das Problem bestehen bleibt, sind die Kabel möglicherweise defekt.	4
Störgeräusche von einem nahen Tuner.	Der Tuner befindet sich zu nahe an diesem Gerät.	Stellen Sie den Tuner und dieses Gerät weiter voneinander entfernt auf oder schalten Sie das Gerät aus.	—
Störgeräusche aus dem Disc-Fach.	Die Disc ist möglicherweise verformt.	Tauschen Sie die Disc aus.	—
Die Fernbedienung funktioniert nicht oder nicht richtig.	Falscher Abstand oder Winkel.	Die Fernbedienung funktioniert innerhalb einer Reichweite von 6 m und bei maximal 30 Grad Winkelabweichung gegenüber der Vorderseite des Geräts.	5
	Der Fernbedienungssensor am Gerät ist direktem Sonnenlicht oder starkem Licht (z. B. einer Leuchtstoffröhre) ausgesetzt.	Stellen Sie das Gerät an einer anderen Stelle auf.	—
	Die Batterien sind zu schwach.	Tauschen Sie alle Batterien aus.	5

TECHNISCHE DATEN

Audioteil

- Frequenzgang..... 2 Hz - 20 kHz, $\pm 0,5$ dB
- Klirrfaktor + Rauschen (1 kHz)..... 0,003 % oder weniger
- Störspannungsabstand..... 105 dB oder mehr
- Dynamikbereich..... 96 dB oder mehr
- Ausgangsspannung (1 kHz, 0 dB) $2,0 \pm 0,3$ V

Eigenschaften der Laserdiode

- Material..... GaAlAs
- Wellenlänge 790 nm
- Laserausgang max. $1,23 \mu\text{W}^*$

* Dieser Ausgang entspricht dem Messwert in einem Abstand von ca. 200 mm von der Linsenoberfläche im optischen Abtaster.

iPod™

„iPod“ ist eine Marke von Apple Inc., die in den USA und anderen Ländern eingetragen ist.

„Made for iPod“ bedeutet, dass ein elektronisches Zusatzgerät speziell für den Anschluss an den iPod konstruiert ist und vom Entwickler dahingehend zertifiziert wurde, dass es den Apple-Leistungsnormen entspricht.

Apple ist für den Betrieb dieses Geräts oder die Einhaltung der Sicherheits- und behördlichen Standards nicht verantwortlich.

Allgemeines

- Spannungsversorgung
 - Modelle für USA und Kanada 120 V Netzspannung, 60 Hz
 - Modell für Australien..... 240 V Netzspannung, 50 Hz
 - Modell für Europa..... AC 230 V Netzspannung, 50 Hz
 - Modell für Asien und internationales Modell 110-120/220-240 V Netzspannung, 50/60 Hz
- Betriebstemperatur $+5$ °C bis $+35$ °C ($+41$ °F bis $+95$ °F)
- Leistungsaufnahme 16 W
- Leistungsaufnahme im Bereitschaftsmodus..... weniger als 0,5 W
- Abmessungen (B \times H \times T)..... 435 \times 116 \times 405 mm
- Gewicht 6,2 kg

Änderung der technischen Daten vorbehalten.

OBSERVERA: LÄS DETTA INNAN ENHETEN TAS I BRUK.

- 1 Läs noga denna bruksanvisning för att kunna ha största möjliga nöje av enheten. Förvara bruksanvisningen nära till hands för framtida referens.
- 2 Installera ljudanläggningen på en väl ventilerad plats där det är svalt, torrt och rent – på behörigt avstånd från direkt solljus, stark värme, vibrationer, damm, fukt och/eller kyla. För bästa ventilation ska följande minimiavstånd användas.
Över: 2,5 cm
Bakom: 2,5 cm
Sidor: 2,5 cm
- 3 Placera enheten på behörigt avstånd från andra elapparater, motorer, transformatorer och annat som kan orsaka störningar.
- 4 Utsätt inte enheten för hastiga temperaturväxlingar och placera den inte på ett ställe där luftfuktigheten är hög (t.ex. nära en luftfuktare) då fuktbildning i enheten skapar risk för brand, elstötar, skador på enheten eller personskador.
- 5 Placera inte enheten på ett ställe där främmande föremål kan tränga in i den eller där den kan utsättas för droppar eller vattenstänk. Placera aldrig det följande ovanpå enheten:
 - Övriga apparater då sådana kan orsaka skador och/eller missfärgning av enhetens hölje.
 - Brännbara föremål (t.ex. stearinljus) då sådana skapar risk för brand, skador på enheten och/eller personskador.
 - Vätskebehållare som kan falla och spilla vätska över enheten, vilket skapar risk för elstötar och/eller skador på enheten.
- 6 Täck aldrig över enheten med en tidning, duk, gardin el.dyl. då detta skapar risk för överhettning. En alltför hög temperatur inuti enheten kan leda till brand, skador på enheten och/eller personskador.
- 7 Anslut inte enheten till ett vägguttag förrän samtliga övriga anslutningar slutförts.
- 8 Använd aldrig enheten vänd upp och ned. Detta kan leda till överhettning som orsakar skador.
- 9 Hantera inte tangenter, reglage och kablar onödigt hårdhänt.
- 10 Fatta tag i själva kontakten när nätkabeln kopplas bort från vägguttaget; dra aldrig i kabeln.
- 11 Använd aldrig några kemiska lösningar för rengöring då dessa kan skada ytbehandlingen. Använd en ren, torr trasa.
- 12 Använd endast den spänning som står angiven på enheten. Anslutning till en strömkälla med högre spänning än den angivna kan orsaka brand, skador på enheten och/eller personskador. Yamaha åtar sig inget ansvar för skador beroende på att enheten används med en spänning utöver den angivna.
- 13 Koppla bort nätkabeln från vägguttaget för att undvika skador p.g.a. blixtnedslag om ett åskväder uppstår.
- 14 Försök aldrig att utföra egna reparationer. Kontakta en kvalificerad tekniker från Yamaha om servicebehov föreligger. Du får inte under några omständigheter ta av höljet.
- 15 Koppla bort nätkabeln från vägguttaget om enheten inte ska användas under en längre tid (t.ex. under semestern).
- 16 Installera denna enhet nära ett vägguttag och där stickkontakten lätt kan komma åt.
- 17 Läs avsnittet "FELSÖKNING" i bruksanvisningen för vanliga driftsproblem innan du förutsätter att enheten är söndrig.
- 18 Innan enheten flyttas ska du trycka på ϕ nedåt för att stänga av denna enhet och sedan koppla bort nätkabeln från vägguttaget.
- 19 Utsätt inte batterierna för kraftig värme från exempelvis solljus, eld eller liknande.
- 20 **VOLTAGE SELECTOR**
(Endast modell till Asien och allmänna modeller)
VOLTAGE SELECTOR (spänningsomkopplare) på denna enhets bakpanel måste ställas in på den lokala nätspänningen FÖRE anslutning till nätuttaget. Spänningarna är:
..... 110/120/220/230–240 V nätspänning, 50/60 Hz

Att observera när apparaten flyttas

- Ta först bort alla skivor från skivfacket och stäng skivfacket genom att trycka på OPEN/CLOSE-knappen. Kontrollera att följande visas på frontpanelens display och stäng sedan av apparaten.

NO DISC

Slå aldrig ifrån strömmen förrän displayen inte tänds som här ovan. Då kan gå sönder under förflyttning eftersom den interna mekanismen inte är låst.

Så länge den här enheten är ansluten till vägguttaget, är den inte bortkopplad från nätströmmen, även om enheten stängs av med ϕ .

VARNING

UTSÄTT INTE ENHETEN FÖR REGN ELLER FUKT DÅ DETTA SKAPAR RISK FÖR BRAND ELLER ELSTÖTAR.

LASERSÄKERHET

Apparaten använder sig av en laser. På grund av risken för ögonskador bör ingen annan än en kvalificerad reparatör öppna höljet eller försöka reparera apparaten.

FARA!

Apparaten avger synlig laserstrålning i öppet läge. Undvik direkt ögonkontakt med strålen. Placera inte ögonen i närheten av skivfacket eller någon annan öppning för att titta in i apparaten, medan apparaten är ansluten till ett nätuttag.

Laserkomponenten i denna apparat kan avge en strålning som överskrider gränsvärdet för klass 1.

INNEHÅLL

INTRODUKTION

REGLAGE OCH FUNKTIONER.....	2
Frontpanel	2
Anslutningar på baksidan	4
Fjärrkontroll	5

ANVÄNDNING

ISÄTTNING OCH UPPSPELNING AV	
SKIVOR	8
Programuppspelning [Audio CD]	8
PLAYXCHANGE	8
UPPSPELNING FRÅN iPod/USB-ENHET.....	9
Anslutning av iPod/USB-enheter	9
Uppspelning från iPod	9
Uppspelning från USB-enheter	9
Frånkoppling av iPod/USB-enheter	10
iPod/USB-enheter som stöds	10

YTTERLIGARE INFORMATION

SPELBARA SKIV- OCH FILFORMAT	11
ANVÄNDNING AV AVANCERADE	
INSTÄLLNINGAR	13
FELSÖKNING	14
SPECIFIKATIONER	15

■ Funktioner

- Automatisk karusellväxlare för fem (5) skivor
- Skivfack med full öppning för byte av fem (5) skivor åt gången
- PLAYXCHANGE ger möjlighet att växla skivor medan en annan skiva spelas
- Optisk digitalutgång
- Spelbarhet för CD-R- och CD-RW-skivor (Mer information finns på sidan 11.)
- Spelbarhet för MP3- och WMA-skivor
- Spelbarhet för MP3- och WMA-filer som sparats på USB-enhet (Mer information finns på sidan 11.)
- Spelbarhet för iPod
- Programmerad spelning (endast Audio CD)
- Slumpmässigt spårval (ej iPod)
- Repeterad uppspelning av en spår/fil, hela skivan/mappen/hela enheten
- Repetera uppspelning A-B (endast Audio CD)
- Justerbar displayinformation och ljusstyrka
- PURE DIRECT-funktion

■ Medföljande tillbehör

Kontrollera att följande delar finns med och att ingenting saknas.

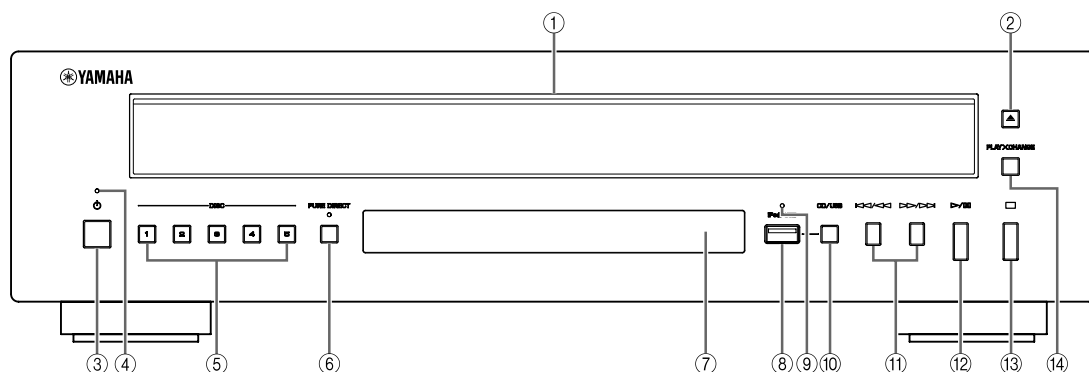
- Nätkabel
- Fjärrkontroll
- Batterier (AA, R6, UM-3) (×2)
- RCA-stereokabel

■ Om den här bruksanvisningen

- ☞ är tips om användningen.
- I den här bruksanvisningen betecknas ljud-CD-skivor som ”Audio CD”, MP3/WMA-skivor som ”Data Disc”, och MP3/WMA-filer som sparas på USB-enhet som ”USB”.
- Ikonerna **Audio CD**, **Data Disc** och **USB** anger musikdataformat som kan användas.
- Den här bruksanvisningen trycktes innan produkten tillverkades. Utförande och specifikationer kan ändras på grund av förbättringar osv. Om det förekommer skillnader mellan bruksanvisningen och produkten så har produkten företräde.

REGLAGE OCH FUNKTIONER

Frontpanel



① Skivfack

Här sätts skivan in.

② (Öppna/Stäng)

Öppnar eller stänger skivfacket. Information om isättning och urtagning av skivor finns på sidan 8.

③ (Power)

Tryck  inåt till läge ON för att starta enheten.



- Indikatorlampan ovanför tänds när enheten är på.
- Du kan sätta enheten i vänteläge med reglaget STNDBY/ON på fjärrkontrollen.
- Enheten har automatisk väntelägesfunktion. När funktionen aktiveras väljs vänteläget automatiskt när uppspelningen stoppas i 30 minuter. Mer information finns på sidan 13.

④ Indikatorlampa på/av

Tänds enligt följande:

PÅ: Lyser klart

Vänteläge: Mörk

AV: Släckt

⑤ DISC (1–5)

Väljer en skiva och startar uppspelningen.

⑥ PURE DIRECT

Aktiverar eller stänger av PURE DIRECT-läget för att förbättra ljudkvaliteten.



- Indikatorlampan för PURE DIRECT tänds.
- Den digitala utgången stängs av.
- Displayen på frontpanelen stängs av under uppspelning och endast minimalt antal indikatorer och meddelanden visas medan enheten är aktiv.

Anmärkning

Anslut via utgångarna ANALOG OUT när du använder PURE DIRECT-läget (se sidan 4).

⑦ Fjärrkontrollsensor

Sensorn tar emot signaler från fjärrkontrollen.

⑧ iPod/USB-port

Anslut en iPod eller USB-enhet. Se sidan 9 för mer information.

⑨ iPod/USB-indikator

Släckt: CD-läget har valts.

Orange: Anslutning klar.

Grön: iPod/USB har anslutits och spelbara filer har identifierats (klar att spela upp).



⑩ CD/USB



Växlar mellan CD-läge och iPod/USB-läge. Se sidan 9.








När indikatorn för iPod/USB är släckt är enheten i CD-läget.

⑪ (Hoppa/sök bakåt), (Hoppa/sök framåt)



 : Hoppar till nästa spår.

 : Hoppar tillbaka till början av aktuellt spår.

  (två gånger): Hoppar till föregående spår.

Tryck och håll in   eller   för att söka bakåt/framåt.

⑫ (Spela upp)/ (Paus)

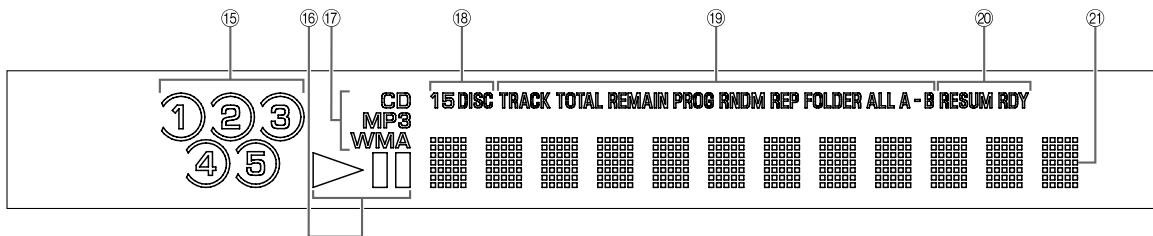
Startar uppspelningen eller gör paus. Tryck på / igen för att fortsätta uppspelningen.

⑬ (Stopp)

Stoppar uppspelningen.

⑭ PLAYXCHANGE

Öppnar skivfacket under uppspelning utan att avbryta uppspelningen av skivan. Se sidan 8 för mer information.



15 Indikator för vald skiva

Siffrorna tänds för de fack som innehåller skivor. Den markerade siffran visar vilken skiva som är vald.

Anmärkning

Siffran som motsvarar ett tomt skivfack kan tändas innan facket väljs. När skivfacket stängs efter iläggning/byte av skivor söker enheten efter skivor med början från fack 1. Medan sökningen pågår släcks de siffror som motsvarar tomma skivfack. När en skiva har identifierats upphör sökningen och återstående skivfack lämnas utan att någon sökning har gjorts.

16 Indikator för uppspelningsstatus

Tänds när enheten är i uppspelningsläge eller vid paus.

17 Indikator för källtyp

Visar vilken typ av innehåll som spelas upp.

18 Indikator för uppspelningsläge

Visar det valda skivuppspelningsläget (1DISC eller 5DISC). Se "MODE" (sidan 5) för mer information.

19 Indikator för tid och uppspelningsläge

Visar aktuellt uppspelningsläge samt status för tidsdisplayen (se sidorna 5 och 8 för uppspelningslägen samt sidan 6 för tidsdisplayen).

20 Indikator för avancerad inställning

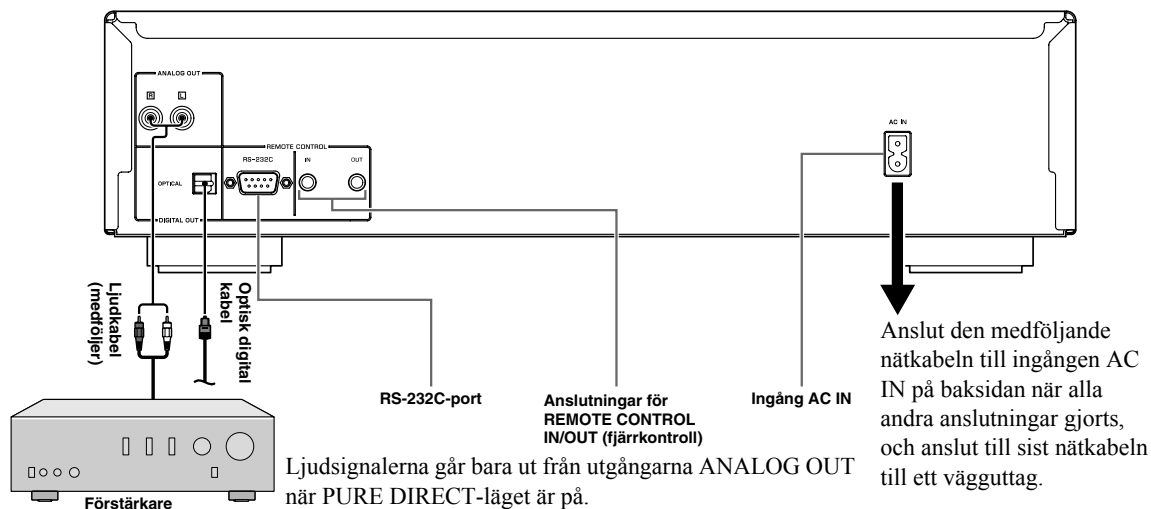
Visar de aktiverade speciallägena. Se "ANVÄNDNING AV AVANCERADE INSTÄLLNINGAR" (sidan 13) för mer information.

21 Multiinformationsdisplay

Anslutningar på baksidan

OBSERVERA

Kontrollera att alla enheters huvudströmbrytare är avstängda (i läge OFF) innan någon anslutning görs.



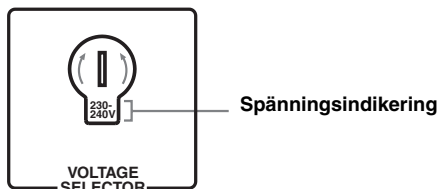
■ VOLTAGE SELECTOR (Endast modeller för Asien samt allmänna modeller)

Följande spänningar gäller:
.....Växelström 110/120/220/230–240 V, 50/60 Hz

OBSERVERA

Spänningsväljaren VOLTAGE SELECTOR på enhetens baksida måste ställas in på rätt lokal spänning INNAN nätkabeln ansluts till ett vägguttag. Felaktig inställning av spänningsväljaren kan orsaka skador på enheten och utgöra brandrisk.

Använd en platt skruvmejsel för att vrida spänningsväljaren medurs eller moturs till rätt läge.



Vid specialinstallation tillsammans med andra enheter

■ Anslutningar för REMOTE CONTROL IN/OUT (fjärrkontroll)

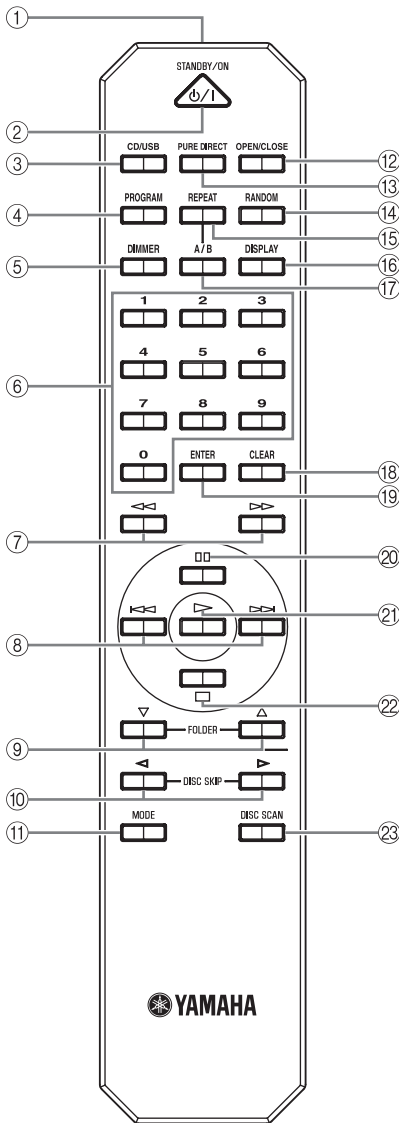
Anslutningarna är avsedda att användas vid anslutningar till andra enheter i specialinstallationer. När enheten är ansluten till andra komponenter i en specialinstallation kan du styra enheten med anläggningens huvudfjärrkontroll. Anslut ingången **REMOTE CONTROL IN** på den här enheten till centralenhetens utgång när enheten används i en specialinstallation.

Genom att ansluta utgången **REMOTE CONTROL OUT** på enheten till fjärrkontrollingången på den andra komponenten kan du styra båda enheterna med anläggningens fjärrkontroll. På det här sättet kan upp till (6) komponenter anslutas i serie.

■ RS-232C-port

Den här enheten har även en RS-232C-port. Kontakta din återförsäljare för mer information.

Fjärrkontroll



① Sändare för infraröda signaler

Sänder infraröda signaler till enheten.

② STANDBY/ON

Startar enheten eller växlar till vänteläget medan ϕ (Power) på frontpanelen trycks in till läget ON.

Anmärkning

Du kan bara använda den här enheten när ϕ (Power) på frontpanelen är intryckt till läge ON.

③ CD/USB

Växlar mellan CD-läge och iPod/USB-läge (se sidan 9).



Den här inställningen sparas även om du stänger av enheten.

④ PROGRAM

Aktiverar eller stänger av programuppspelningen. Se ”Programuppspelning” på sidan 8.

⑤ DIMMER

Varje gång du trycker på DIMMER ändras ljusstyrkan med fyra (4) nivåer.



Den här inställningen sparas även om du stänger av enheten.

⑥ Sifferknappar

Dessa används för att välja ett särskilt spår på skivan eller en särskild fil i mappen.

⑦ \lll (Sök bakåt), \ggg (Sök framåt)

Söker igenom spåren bakåt/framåt medan knappen hålls in.

⑧ \lll (Hoppa bakåt), \ggg (Hoppa framåt)

\ggg : Hoppar till nästa spår.

\lll : Hoppar tillbaka till början av det aktuella spåret.

\lll (två gånger): Hoppar till föregående spår.

⑨ FOLDER ∇ (Mapp nedåt), \triangle (Mapp uppåt)

Data Disc **USB**

∇ : Hoppar till föregående mapp.

\triangle : Hoppar till nästa mapp.

Se sidan 9 för information.

⑩ DISC SKIP \triangleleft (föregående skiva), \triangleright (nästa skiva)

Hoppar till föregående/nästa skiva.

⑪ MODE

Växlar skivuppspelningsläge mellan 1DISC och 5DISC.

I läge 1DISC spelas endast den valda skivan upp.

I läge 5DISC spelas alla skivor upp i ordning.

⑫ OPEN/CLOSE

Öppnar eller stänger skivfacket. Du kan lägga i eller byta ut fem skivor åt gången. Se sidan 8 för mer information.

⑬ PURE DIRECT

Aktiverar eller stänger av PURE DIRECT-läget för att förbättra ljudkvaliteten. Se sidan 2 för information.



Den här inställningen sparas även om du stänger av enheten.

⑭ RANDOM

Aktiverar eller stänger av slumpvis uppspelning.

Anmärkning

Det slumpvisa uppspelningsläget avslutas när skivan matas ut.

15 REPEAT

Repeterar uppspelning av ett enskilt spår eller alla spår. Varje gång du trycker på REPEAT under uppspelning växlar repetitionsläget enligt följande:

- REP TRACK (repetera ett spår): Ett enskilt spår spelas upp gång på gång.
- REP ALL (repetera alla): Alla spår (hela skivan) spelas upp gång på gång.

Data Disc **USB**

- REP FOLDER (repetera mapp): Alla filer i en mapp (hela mappen) spelas upp gång på gång.

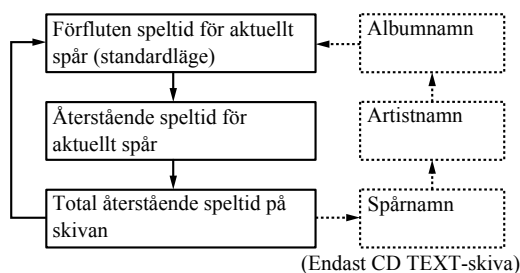


Repetitionsfunktionen fungerar också vid programmerad och slumpmässig uppspelning.

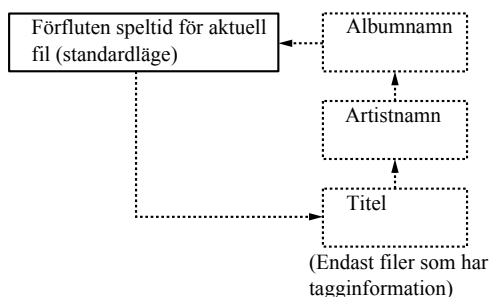
16 DISPLAY

Växlar tidvisningen. Varje gång du trycker på DISPLAY under uppspelning växlar tidvisningen enligt följande:

Audio CD



Data Disc **USB**



17 A/B **Audio CD**

Repeterar uppspelning av en viss del av ett spår. Du kan ställa in startpunkt (A) och slutpunkt (B) genom att trycka på A/B två gånger under uppspelningen.

Om du vill avbryta A/B-repeteringen trycker du på A/B igen.

Anmärkningar

- A/B-repetition kan inte börja på ett spår och sluta på ett annat.
- A/B-repetition kan inte användas med Data Disc eller USB.
- Om du stoppar uppspelningen genom att trycka på □ (Stopp) avbryts A/B-repetitionen.
- A/B-repetition kan inte användas när enheten är i PURE DIRECT-läge.

18 CLEAR

Raderar det programmerade spåret.

19 ENTER

Bekräftar ett spårnummer som du angivit när du programmerade spåren.

20 **⏸ (Paus)**

Gör paus i uppspelningen. Tryck på ▷ eller ⏸ för att fortsätta uppspelningen.

21 ▷ **(Spela upp)**

Startar uppspelningen.

22 □ **(Stopp)**

Stoppar uppspelningen.

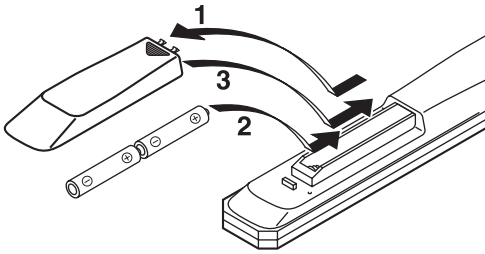
23 DISC SCAN

Läser av ilagda skivor och spelar upp 10 sekunder från varje skiva så att du kan söka efter önskade skivor. Om du vill avbryta inläsningen och växla till normal uppspelning trycker du på DISC SCAN igen eller på ▷ (Spela upp).

Anmärkningar

- Medan avläsningen pågår blinkar skivfackets siffra på displayen. Siffran slutar blinka och lyser med fast sken när uppspelningen av skivan är klar.
- Om skivan som spelas upp har långa tomma utrymmen mellan spåren hörs inget ljud medan skivan avläses.

■ Isättning av batterier i fjärrkontrollen



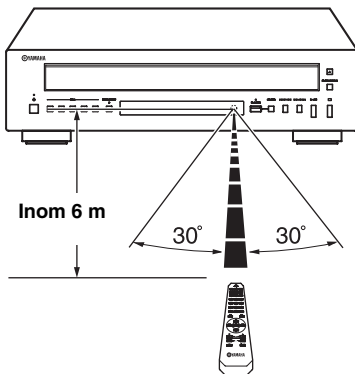
1 Tryck på ▼ och skjut upp batterifackets lock.

2 Sätt in de två medföljande batterierna (AA, R6, UM-3) enligt polmarkeringarna (+ och -) inuti batterifacket.

3 Skjut tillbaka locket tills det klickar på plats.

■ Användning av fjärrkontrollen

Fjärrkontrollen sänder en riktad infraröd stråle. Rikta fjärrkontrollen direkt mot fjärrkontrollsensorn på enhetens framsida.



■ Att observera angående batterierna

- Byt ut alla batterier när du upptäcker att fjärrkontrollens räckvidd minskar.
- Använd batterier av storlek och typ AA/R6/UM-3.
- Kontrollera att batteriets poler är vända åt korrekt håll (se illustrationen inuti batterifacket).
- Ta ut batterierna, om fjärrkontrollen inte ska användas på ett bra tag.
- Använd inte gamla batterier tillsammans med nya.
- Använd inte olika typer av batterier (t.ex. alkaliska batterier och manganbatterier) tillsammans. Läs noga vad som står på batteriförpackningen, eftersom dessa olika typer av batterier kan ha samma form och färg.
- Gör dig av med batterierna omedelbart om de skulle ha läckt. Undvik att vidröra det ämne som har läckt ut, och försök undvika att det kommer i kontakt med kläder etc. Rengör batterifacket noggrant innan nya batterier isätts.
- Kasta inte batterier tillsammans med vanliga sopor, utan avyttra dem i enlighet med lokala bestämmelser.

■ Hantering av fjärrkontrollen

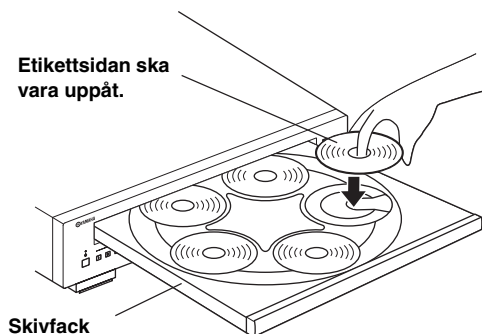
- Inga stora hinder får förekomma mellan fjärrkontrollen och förstärkaren.
- Spill inte vatten eller andra vätskor på fjärrkontrollen.
- Tappa inte fjärrkontrollen.
- Fjärrkontrollen ska inte läggas eller förvaras på platser där följande förhållanden råder:
 - hög luftfuktighet, som t.ex. nära ett bad
 - hög temperatur, som t.ex. nära ett värmeelement eller en kamin
 - extrem kyla
 - mycket dammig
- Utsätt inte fjärrkontrollsensorn för stark belysning, eftersom det kan göra att fjärrkontrollen inte fungerar ordentligt. Undvik särskilt inverterat ljus från en lysrörslampa. Flytta vid behov förstärkaren för att skydda den från direkt ljus.

ISÄTTNING OCH UPPSPELNING AV SKIVOR

Du kan lägga i eller byta ut fem skivor åt gången.

1 Tryck på OPEN/CLOSE för att öppna skivfacket och sätta i skivor.

Använd skivstyrningarna för att lägga in skivorna rätt i skivfacket.



Anmärkning

Om du vill spela upp en CD-skiva med 8 cm diameter ska den läggas i den inre nedsänkta delen av skivfacket. Lägg inte en vanlig CD-skiva med 12 cm diameter ovanpå en CD-skiva med 8 cm diameter.

2 Tryck på OPEN/CLOSE för att stänga skivfacket.

3 Tryck på MODE för att välja skivuppspelningsläge (1DISC eller 5DISC) och kontrollera att rätt läge visas på displayen.

1DISC: Endast den markerade skivan spelas upp.
5DISC: Alla skivor i facket spelas upp i ordning.

4 Tryck på ▷ (Spela upp) för att starta uppspelning från första spåret på skiva nr 1.

5 (Vid behov) Välj en skiva med DISC SKIP ◀/▷, eller en av knapparna DISC (1–5) på frontpanelen.

Programuppspelning **Audio CD**

I programuppspelningsläget kan du spela upp spår i en programmerad sekvens.

Anmärkningar

- Du kan programmera och spela upp spår i valfri ordning från alla skivorna (1–5).
- De programmerade spåren raderas när skivan matas ut, när enheten stängs av eller växlar till vänteläget.

1 Tryck på PROGRAM medan uppspelningen är stoppad.

Enheten är inställd på programredigeringsläge.

2 Välj en skiva med en av knapparna DISC (1–5) på frontpanelen eller DISC SKIP ◀/▷ på fjärrkontrollen.

3 Välj ett spår med sifferknapparna och ENTER.

4 Upprepa steg 2 och 3 för att programmera nästa spår.

Du kan programmera upp till 24 spår.



Om du vill avbryta det programmerade spåret trycker du på CLEAR.

5 Tryck på ▷.

Uppspelningen startar från början av den programmerade sekvensen.



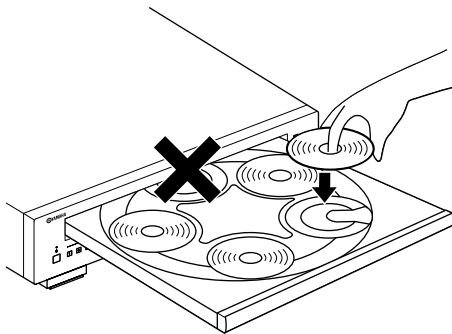
Programmerade spår kan raderas genom att trycka på CLEAR när uppspelningen stoppats.

PLAYXCHANGE

PLAYXCHANGE är en funktion som gör att du kan byta ut skivor under uppspelning utan att avbryta uppspelningen. Tryck på knappen PLAYXCHANGE på frontpanelen för att öppna skivfacket och byta skivor.

OBSERVERA

Försök aldrig lägga in en skiva i det läge som markerats med x i figuren nedan. Det kan skada både CD-spelaren och skivan eftersom det är här den skiva som spelas upp finns.



Anmärkning

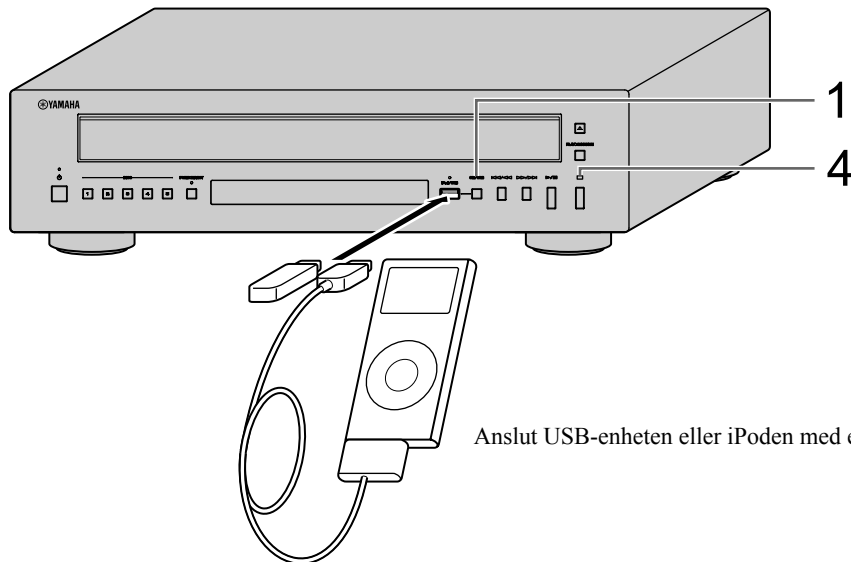
DISC SKIP-knapparna fungerar inte när skivfacket är öppet.

UPPSPELNING FRÅN iPod/USB-ENHET

Anslutning av iPod/USB-enheter

Anmärkningar iPod

- Använd den USB-kabel som medföljde din iPod. Om ingen USB-kabel medföljde kan du köpa en från Apple Inc.
- Stäng av iPoden.
- Använd inte en USB-hubb.



Anslut USB-enheten eller iPoden med en USB-kabel

Uppspelning från iPod

1 Tryck på CD/USB för att växla mellan iPod- och USB-läge.

Indikatorn för iPod/USB på frontpanelen lyser först orange och växlar till grönt när den är klar för uppspelning.

2 Starta uppspelning.

Använd din iPod för att starta uppspelningen, välj spår, göra paus eller stoppa uppspelningen.



Du kan också använda följande knappar: ▷ (Spela upp), □ (Paus), □ (Stopp), ◀◀ (Hoppa bakåt), ▶▶ (Hoppa framåt), ◀◀ (Sök bakåt), och ▶▶ (Sök framåt) på enheten eller på fjärrkontrollen.

Anmärkning

Din iPod kanske inte fungerar korrekt tillsammans med den här enheten om programvaran i iPoden inte uppdaterats. Använd alltid den senaste versionen av programvaran för din iPod.

Uppspelning från USB-enheter

1 Tryck på CD/USB för att växla mellan iPod- och USB-läge.

Indikatorn iPod/USB tänds på frontpanelen.

2 Starta uppspelning.

Filnamnet visas på frontpanelens display och uppspelningen startar automatiskt i datum- och tidsordning om det finns spelbara filer på USB-enheten.

3 Välj ett spår.

Tryck på FOLDER ▽/△ på fjärrkontrollen för att välja en mapp, och tryck sedan på ◀◀/▶▶ eller på sifferknapparna för att välja ett spår.

4 Stoppa uppspelning.

Tryck på □ (Stopp).

Se sidan 11 för mer information om MP3/WMA-uppspelning.

Frånkoppling av iPod/USB-enheter

Stoppa uppspelningen och koppla sedan från din iPod eller USB-enhet. Tryck först på CD/USB för att växla till CD-läget, kontrollera sedan att CD/USB-indikatorn släcks, och koppla sedan från din iPod/USB-enhet.

OBSERVERA

Koppla inte från någon iPod eller USB-enhet medan du spelar spår från den anslutna enheten, eller medan texten ”USB READING” visas på displayen.

iPod/USB-enheter som stöds

■ iPod-modeller som stöds

- iPod classic (inklusive 120 GB-modellen)
 - iPod nano (2:a, 3:e och 4:e generationerna)
 - iPod touch (1:a och 2:a generationerna)
- (från och med april 2009)

Anmärkningar

- iPod licensieras under förutsättning att användare utför privat kopiering och uppspelning av material som inte är upphovsrättsskyddat, eller material som godkänts juridiskt för duplicering och uppspelning. Intrång i upphovsrätten är förbjudet i lag.
- Yamaha och dess underleverantörer ansvarar inte för förlust av data som lagrats på någon iPod som anslutits till den här enheten. Som en försiktighetsåtgärd rekommenderas att du tar säkerhetskopior.

■ USB-enheter som stöds

Den här enheten stöder USB-masslagringsenheter (t.ex. flashminnen, kortläsare eller bärbara musikspelare) som använder formatet FAT16 eller FAT32.

Anmärkningar

- Vissa enheter kanske inte fungerar ordentligt även om de uppfyller kraven.
- Enheten stöder inte krypterade USB-minnen.
- Anslut inte några andra enheter än USB-masslagringsenheter: USB-laddare, USB-hubbar, datorer, externa hårddiskar osv.
- Om du sätter in två eller flera minneskort samtidigt i en kortläsare som anslutits till iPod/USB-porten på den här enheten kommer endast ett av minneskorten att kännas av.
- Yamaha och dess underleverantörer ansvarar inte för förlust av data som lagrats på någon USB-enhet som anslutits till den här enheten. Som en försiktighetsåtgärd rekommenderas att du tar säkerhetskopior.
- Spelbarhet eller strömförsörjning garanteras inte till någon typ av USB-enhet.

SPELBARA SKIV- OCH FILFORMAT

■ Spelbara MP3- och WMA-filer (USB-enhet samt Data Disc)

MP3

Format	Bithastighet (kbps)	Samplingsfrekvens (kHz)
MPEG 1 Audio Layer-3	32-320 *	32/44,1/48
MPEG 2 Audio Layer-3, 2	8-160 *	16/22,05/24
MPEG-2.5 Audio Layer-2	8-160 *	8/11,025/12

* Variabel bithastighet stöds också.

WMA

- Version 8
- Version 9 (Standardhastigheter och variabla bithastigheter stöds. Professional och Lossless (förlustfri) komprimering understöds inte.)

Profil	Bithastighet (kbps)	Samplingsfrekvens (kHz)
High Profile	32-320 *	32/44,1/48
Mid Profile	16-32	16/22,05

* Variabel bithastighet stöds också.

Anmärkningar

- Uppspelning av Data Disc startar i alfanumerisk ordning.
- Uppspelning av USB startar enligt datum och tid.
- Upphovsrättskyddade WMA-filer (DRM) kan inte spelas upp på den här enheten.
- Skivan måste vara kompatibel med ISO 9660.
- Förfluten tid kanske inte visas korrekt vid uppspelning med variabel bithastighet.

	Data Disc	USB
Max. antal filer	999	32767
Max. antal mappar	256	256
Max. antal filer per mapp	512	512

■ Spelbara skivor

Använd CD-skivor med nedanstående märkning.



.... CD-skivor (digitalt ljud)



.... Digitala ljudskivor av typ CD-R och CD-RW

- Skivor av typ CD-R eller CD-RW som är märkta med någon av följande uttryck.

FOR CONSUMER
FOR CONSUMER USE
FOR MUSIC USE ONLY

- Skivor av typ CD-R eller CD-RW som bränts och stängts korrekt.



Anmärkning

Vissa skivor av typ CD-R/CD-RW kanske inte kan spelas upp på den här CD-spelaren om inspelningen inte gjorts korrekt.



.... Skivor med CD-TEXT

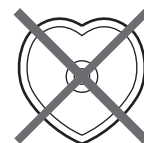
- Vid uppspelning av en CD-skiva med CD-TEXT visas skivans titel, artistens namn, namnet på spåret samt tidsinformation.

Uppspelning av 8 cm CD-skiva

Lägg skivan i skivfacket i inre nedsänkning. Lägg inte en vanlig (12 cm) CD-skiva ovanpå en 8 cm CD-skiva.

För att förhindra felfunktion:

- Använd inga skivor med annorlunda former (hjärtformade eller liknande) eftersom sådana kan skada enheten.



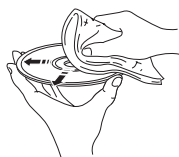
- Använd inte skivor med tejp, etiketter eller lim. Om du använder en sådan skiva kan den fastna inne i enheten och skador kan uppstå.

■ Hantering av CD-skivor

- Var alltid försiktig så att ytan inte repas. Se till så att dina skivor inte blir skeva.



- Håll ytan ren genom att torka av den med en ren och torr trasa. Använd inte någon typ av skivrengöringsmedel, spray eller annan kemisk vätska.
- Torka av från mitten och rakt utåt mot kanten.



- Använd en mjuk filtpenna om du skriver på skivans etikettsida.
- Om en skiva inte används ska den tas ut ur enheten och förvaras i ett lämpligt fodral.
- Utsätt inte skivor för direkt solljus, hög temperatur eller hög luftfuktighet under längre tid.

ANVÄNDNING AV AVANCERADE INSTÄLLNINGAR

Enheten har fyra speciallägen som kan användas i särskilda syften i butiker eller på kontor.

Anmärkning

Speciallägets funktioner är inte kompatibla med iPod.

Uppspelningsläge med minne

I det här läget behålls nuvarande uppspelningsläge (REPEAT och RANDOM) efter att enheten stängts av, vilket sparar tid eftersom du inte behöver välja uppspelningsläget igen varje gång enheten startas. Spårnumret sparas också så att uppspelningen startar automatiskt med samma spår när du startar enheten igen. Indikatorn RESUM (fortsätt) på frontpanelen tänds när läget är aktiverat.

Klar-läge

Gör en paus i uppspelningen efter varje spår så att du kan starta nästa spår vid valfri önskad tidpunkt. Indikatorn RDY (klar) på frontpanelen tänds när läget är aktiverat.

RS-232C ON/OFF

Aktiverar eller stänger av RS-232C-porten på baksidan. Aktivera funktionen när du ska använda RS-232C-läget. Det här läget är inaktiverat vid leveransen.

Automatiskt vänteläge

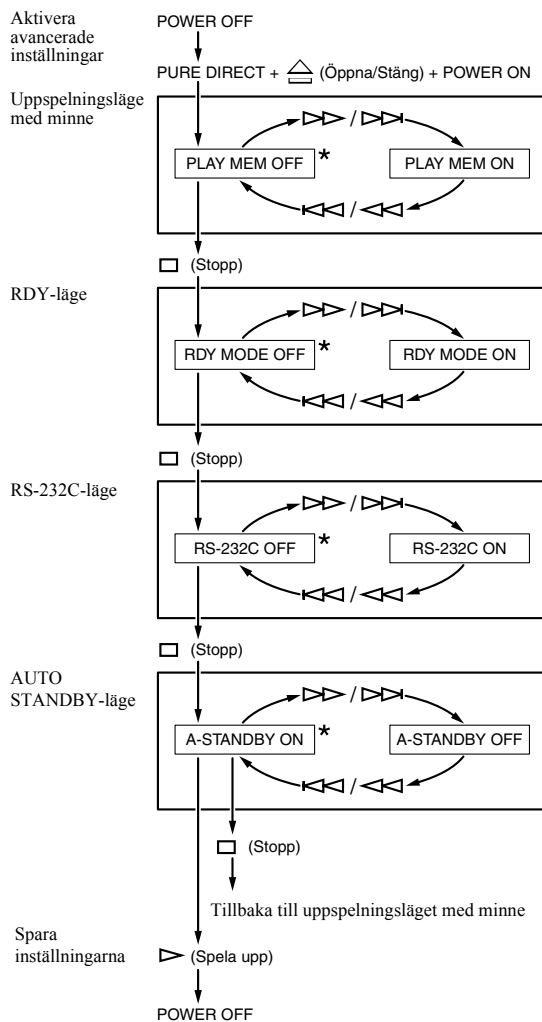
När den här funktionen är aktiverad växlar enheten automatiskt över till vänteläget om något av följande tillstånd varar i 30 minuter:

- 1) CD-uppspelningen har stoppats i CD-läget (även om ingen skiva satts in eller om den aktuella skivan inte stöds).
- 2) CD-uppspelningen är i pausläget.
- 3) Enheten är i iPod/USB-läge men ingen USB-enhet är ansluten.
- 4) Den anslutna USB-enheten stöds inte i iPod/USB-läget (indikatorn för iPod/USB fortsätter lysa orange).

Anmärkning

Enheten växlar inte över till vänteläget automatiskt när en USB-enhet eller iPod som stöds ansluts (när iPod/USB-indikatorn lysar grönt).

Följ nedanstående steg för att aktivera och konfigurera de avancerade inställningarna. Använd knapparna på frontpanelen.



* : Standardinställning

Nästa gång du startar enheten kommer den att startas med de inställningar som du angivit ovan.

FELSÖKNING

Om enheten inte fungerar normalt bör du kontrollera följande punkter och se om felet kan rättas till med de enkla åtgärder som föreslås. Om felet inte kan rättas till eller om det inte finns i kolumnen Problem: dra ur nätkabeln och ta kontakt med närmaste auktoriserade återförsäljare för Yamaha eller en serviceverkstad.

Problem	Tänkbara orsaker	Lösning	Se sidan
Enheten startar inte.	Nätkabeln är inte ansluten till AC IN på baksidan eller inte ansluten till vägguttaget.	Anslut nätkabeln ordentligt.	4
Enheten stängs plötsligt av.	Automatiskt vänteläge är inställt på på.	Ställ in automatiskt vänteläge på av.	13
Skivfacket stängs inte helt.	Ett främmande föremål hindrar skivfacket.	Kontrollera skivfacket noggrant och ta bort det främmande föremålet.	—
Skivan spelas inte upp eller så tänds inte skivnumret på displayen.	Skivan är skadad.	Kontrollera skivan noggrant och byt ut den vid behov.	—
	Det finns fukt på laserpickupen.	Vänta 20 till 30 minuter efter att enheten startats innan du försöker spela upp en skiva.	—
	Skivan har lagts i med fel sida upp.	Ta ut skivan och lägg i den med etiketten vänd uppåt.	—
	Skivan är smutsig.	Rengör skivan.	13
	Filformatet MP3 eller WMA är inte kompatibelt med den här enheten.	Byt ut skivan mot en som kan spelas på den här enheten.	13
	Den återinspelningsbara skivan (CD-RW) har inte spelats in på rätt sätt.	Byt ut skivan mot en som kan spelas på den här enheten.	13
	Skivan är en icke-standardskiva som inte kan spelas på den här enheten.	Byt ut skivan mot en som kan spelas på den här enheten.	13
	Enheten är i iPod/USB-läge.	Växla till skivläge genom att trycka på CD/USB.	2
iPod-uppspelningen startar inte trots att iPoden är ansluten.	Den anslutna iPoden är inte kompatibel med den här enheten.	Anslut en iPod som är kompatibel med den här enheten. Följande iPod-modeller är kompatibla: <ul style="list-style-type: none"> • iPod classic (inklusive 120 GB-modellen) • iPod nano (2:a, 3:e och 4:e generationerna) • iPod touch (1:a och 2:a generationerna) (från och med april 2009) 	10
	Enheten är i skivläge.	Växla till iPod/USB-läge genom att trycka på CD/USB.	9
Uppspelningen från USB startar inte.	USB-enheten är felaktigt ansluten.	Anslut iPod/USB-enheten igen.	9
	Filformatet MP3 eller WMA är inte kompatibelt med den här enheten.	Byt ut filen mot en som kan spelas på den här enheten.	11
	Enheten är i skivläge.	Växla till iPod/USB-läge genom att trycka på CD/USB.	9
Uppspelningen är fördröjd eller börjar på fel plats.	Skivan är repad eller skadad.	Kontrollera skivan noggrant och byt ut den vid behov.	11
Inget ljud.	Utsignalkablarna är felaktigt anslutna.	Anslut kablarna på rätt sätt. Om problemet kvarstår kan det vara fel på kablarna.	4
	Förstärkaren är felaktigt inställd.	Ställ in förstärkarens reglage på rätt ingång (ansluten enhet).	—

Problem	Tänkbara orsaker	Lösning	Se sidan
Ljudet från en komponent ansluten till DIGITAL OUT-uttagen hörs inte.	PURE DIRECT har aktiverats.	Stäng av PURE DIRECT. Eller anslut analogt.	2
Ljudet "hoppas".	Enheten utsätts för vibrationer eller stötar.	Flytta enheten.	—
	Skivan är smutsig.	Rengör skivan.	11
Ljudet "brummar".	Felaktiga kabelanslutningar.	Anslut ljudkablarna ordentligt. Om problemet kvarstår kan det vara fel på kablarna.	4
Störningar från en radiodel i närheten.	Radiodelen står för nära den här enheten.	Flytta radiodelen och den här enheten längre isär, eller stäng av den här enheten.	—
Missljud från skivfacket.	Skivan är skev.	Byt ut skivan.	—
Fjärrkontrollen fungerar inte alls eller fungerar dåligt.	För långt avstånd eller fel vinkel.	Fjärrkontrollen måste befinna sig högst 6 meter från enheten och hållas i högst 30 graders vinkel mot frontpanelen.	5
	Direkt solljus eller annat ljus (lysrörljus eller liknande) skiner på enhetens fjärrkontrollsensor.	Flytta enheten.	—
	Batterierna är svaga.	Byt ut alla batterierna.	5

SPECIFIKATIONER

Ljuddel

- Frekvensomfång 2 Hz–20 kHz, $\pm 0,5$ dB
- Harmonisk distorsion + brus (1 kHz) 0,003 % eller lägre
- Signal-/brusförhållande 105 dB eller högre
- Dynamiskt omfång 96 dB eller högre
- Utsignalspänning (1 kHz, 0 dB) $2,0 \pm 0,3$ V

Egenskaper för laserdiod

- Material GaAlAs
- Våglängd 790 nm
- Laserns uteffekt max. $1,23 \mu\text{W}^*$

* Uteffektvärdet mäts cirka 200 mm från objektivet linsyta på det optiska pickupblocket.

iPod™

"iPod" är ett varumärke för Apple Inc., registrerat i USA och andra länder.

"Made for iPod" är en märkning som betyder att ett elektroniskt tillbehör har konstruerats specifikt för att anslutas till iPod och har certifierats av utvecklaren så att det uppfyller Apples prestandastandarder.


Apple är inte ansvarigt för drift av den här enheten eller dess överensstämmelse med säkerhetsbestämmelser och lagstadgade standarder.

Allmänt

- Strömförsörjningskrav
Modeller för USA och Kanada 120 V AC växelspanning, 60 Hz
Modell för Australien 240 V AC växelspanning, 50 Hz
Modell för Europa 230 V AC växelspanning, 50 Hz
Modeller för Asien samt allmänna modeller 110–120/220–240 V AC växelspanning, 50/60 Hz
- Arbetstemperatur $+5$ °C till $+35$ °C ($+41$ °F till $+95$ °F)
- Effektförbrukning 16 W
- Effektförbrukning i vänteläge lägre än 0,5 W
- Mått (B × H × D) $435 \times 116 \times 405$ mm
- Vikt 6,2 kg

Observera att alla specifikationer kan ändras utan föregående meddelande.

ATTENZIONE: PRIMA DI USARE QUEST'UNITÀ.

- 1 Per assicurarsi le migliori prestazioni dell'unità, leggere questo manuale per intero. Conservarlo poi in un luogo sicuro per poterlo riutilizzare al momento del bisogno.
- 2 Installare il sistema audio in una posizione ben ventilata, fresca, asciutta e pulita, al riparo da luce solare diretta, fonti di calore, vibrazioni, polvere, umidità e/o basse temperature. Per una ventilazione adeguata, prevedere i seguenti spazi liberi:
Parte superiore: 2,5 cm
Parte posteriore: 2,5 cm
Parti laterali: 2,5 cm
- 3 Installare quest'unità lontano da elettrodomestici, motori o trasformatori, perché possono causare ronzii.
- 4 Non esporre quest'unità a variazioni repentine della temperatura ambiente e non installarle in stanze molto umide (ad esempio dove è in uso un umidificatore) per evitare che in essa si formi condensa, che a sua volta può causare folgorazioni, incendi, guasti e/o ferite.
- 5 Evitare di installare l'unità in una posizione dove possano su di essa cadere oggetti o liquidi. Inoltre, non posare su di essa:
 - Altri componenti, dato che possono causare danni e/o lo scolorimento della superficie dell'apparecchio.
 - Candele o altri oggetti che bruciano, dato che possono causare incendi, danni all'unità e/o ferite a persone.
 - Contenitori di liquidi, dato che possono cadere e causare folgorazioni all'utente e guasti a quest'unità.
- 6 Non coprire quest'unità con giornali, tovaglie, tende o altro per non impedire la dispersione del calore. Se la temperatura al suo interno dovesse salire, può causare incendi, guasti e/o ferite.
- 7 Non collegare quest'unità ad una presa di corrente sino a che tutti i suoi collegamenti sono completi.
- 8 Non usare l'unità capovolta. Potrebbe surriscaldarsi e guastarsi.
- 9 Non agire con forza eccessiva su interruttori, manopole e/o cavi.
- 10 Per scollegare un cavo, tirare la spina e mai il cavo stesso.
- 11 Non pulire mai quest'unità con solventi ed altre sostanze chimiche. Essi possono danneggiarne le finiture. Usare semplicemente un panno soffice e pulito.
- 12 Usare solo corrente elettrica del voltaggio indicato. L'uso di voltaggi superiori è pericoloso e può causare incendi, guasti e/o ferite. Yamaha non può venire considerata responsabile di danni risultanti dall'uso di quest'unità con un voltaggio superiore a quello prescritto.
- 13 Per evitare danni dovuti a fulmini, scollegare il cavo di alimentazione dalla presa durante temporali.
- 14 Non tentare di modificare o riparare quest'unità. Affidare qualsiasi riparazione a personale qualificato Yamaha. In particolare, non aprirla mai per alcun motivo.
- 15 Se si prevede di non dover fare uso di quest'unità per qualche tempo, ad esempio per andare in vacanza, scollegarne la spina di alimentazione dalla presa di corrente.
- 16 Installare quest'unità vicino ad una presa di corrente alternata ed in una posizione in cui la spina di alimentazione possa venire raggiunta facilmente.
- 17 Accertarsi di leggere la sezione "RISOLUZIONE DEI PROBLEMI" del manuale dell'utente sui comuni problemi di funzionamento prima di concludere che l'unità è difettosa.
- 18 Prima di spostare questa unità, premere  in basso per spegnere questa unità e quindi scollegare la spina di alimentazione a corrente alternata dalla presa di rete a corrente alternata.
- 19 Le batterie vanno protette da calore eccessivo, ad esempio luce solare diretta, fiamme, e così via.

20 VOLTAGE SELECTOR

(Solo per modelli Generale e per l'Asia)

Il selettore di voltaggio VOLTAGE SELECTOR sul pannello posteriore dell'unità deve essere impostato per il voltaggio locale PRIMA di collegarsi all'alimentazione CA.

I voltaggi sono:


..... C.a. da 110/120/220/230–240 V, 50/60 Hz

Precauzioni per spostare l'unità

- Prima di spostare l'unità togliere tutti i dischi dall'apposito cassetto e chiuderlo premendo il tasto OPEN/CLOSE, quindi spegnere l'alimentazione dopo aver verificato che le indicazioni del display del pannello anteriore siano come illustrato nel seguito.

NO DISC

Non spegnere mai l'apparecchio prima che sul quadrante sia comparsa l'indicazione sopra riportata. In caso contrario l'apparecchio potrebbe subire danni nel corso del trasporto, perché i dispositivi interni non sono bloccati.

Fintanto che quest'unità è collegata ad una presa di corrente alternata, non è del tutto spenta anche se la si spegne con il comando .

AVVERTENZA

PER RIDURRE IL RISCHIO DI INCENDI E FOLGORAZIONI, NON ESPORRE QUEST'UNITÀ A PIOGGIA O UMIDITÀ.

SICUREZZA DEL LASER

Quest'unità impiega un laser. Poiché è possibile causare lesioni agli occhi, solo personale qualificato di assistenza tecnica deve aprire la copertura o cercare di riparare questo dispositivo.

PERICOLO

Radiazioni laser visibili emette quando aperto. Evitare l'esposizione agli occhi diretta al raggio laser. Quando quest'unità è collegata ad una presa a muro, non avvicinare gli occhi all'apertura del cassetto del disco o ad altre aperture per guardare all'interno.

Il laser contenuto in questo prodotto è in grado di emettere radiazioni eccedenti i limiti fissati per la Classe 1.

INDICE

INTRODUZIONE

COMANDI E FUNZIONI	2
Pannello frontale.....	2
Connessioni del pannello posteriore.....	4
Telecomando.....	5

FUNZIONAMENTO

CARICAMENTO E RIPRODUZIONE DEI DISCHI.....	8
Riproduzione programmata [Audio CD]	8
PLAYXCHANGE	8
LETTURA DI iPod/DISPOSITIVI USB.....	9
Collegamento di iPod/dispositivi USB.....	9
Lettura dell'iPod.....	9
Lettura di dispositivi USB.....	9
Disconnessione di iPod/dispositivi USB.....	10
iPod/dispositivi USB supportati	10

INFORMAZIONI SUPPLEMENTARI

DISCHI E FORMATI DI FILE RIPRODUCIBILI.....	11
UTILIZZO DELLE IMPOSTAZIONI AVANZATE.....	13
RISOLUZIONE DEI PROBLEMI.....	14
SPECIFICHE TECNICHE	15

■ Caratteristiche

- Auto-caricatore rotante a 5 dischi
- Piatto portadischi ad apertura completa per la sostituzione simultanea di 5 dischi
- PLAYXCHANGE; sostituzione di un disco durante la riproduzione di un altro
- Uscita digitale ottica
- Compatibilità di dischi CD-R, CD-RW (Per i dettagli, vedere pagina 11.)
- Compatibilità di file MP3 e WMA su disco dati
- Compatibilità di file MP3 e WMA su un dispositivo USB (Per i dettagli, vedere pagina 11.)
- Compatibilità con la serie iPod
- Riproduzione programmata (solo Audio CD)
- Riproduzione in ordine casuale (tranne iPod)
- Riproduzione ripetuta del singolo brano/file, intero disco/cartella/tutto
- Riproduzione ripetuta dell'intervallo A-B (solo Audio CD)
- Informazioni e luminosità del quadrante regolabile
- Funzione PURE DIRECT

■ Accessori in dotazione

Verificare che la confezione contenga i seguenti oggetti.

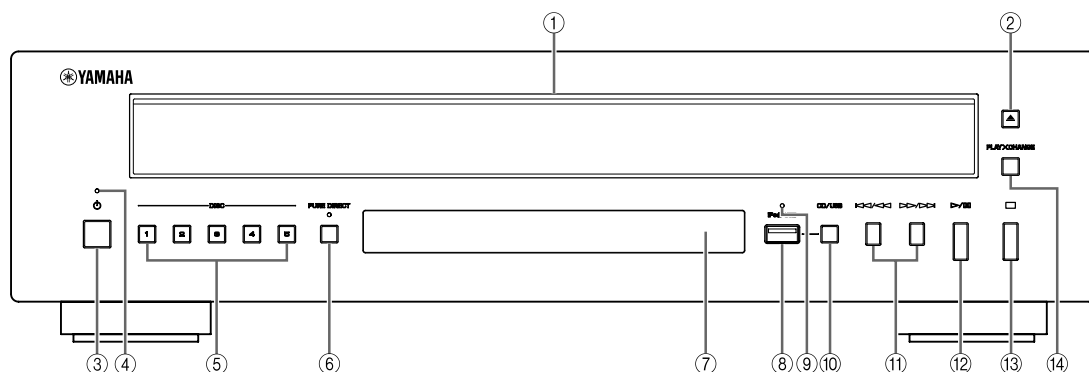
- Cavo di alimentazione
- Telecomando
- Batterie (AA, R6, UM-3) (×2)
- Cavo stereo RCA

■ Informazioni sul manuale

- ✨ indica un suggerimento per il funzionamento.
- In questo manuale ci si riferisce ai CD audio come “Audio CD”, ai dischi MP3/WMA come “Data Disc”, e ai file MP3/WMA memorizzati sul dispositivo USB come “USB”.
- Le icone **Audio CD**, **Data Disc** e **USB** indicano i formati di dati musicali utilizzabili.
- Il manuale è stampato prima della produzione. Design e specifiche sono soggette a modifiche in parte dovute ai miglioramenti o altro. In caso di differenze tra il manuale e il prodotto, il prodotto ha la priorità.

COMANDI E FUNZIONI

Pannello frontale




① Piatto portadischi

Consente di caricare un disco.

② (Apri/Chiudi)

Apri o chiude il piatto portadischi. Per informazioni su come caricare o rimuovere i dischi, vedere pagina 8.

③ (Interruttore di accensione)

Premere  verso l'interno in posizione ON per accendere l'unità.



- L'indicatore sopra il pulsante si illumina quando l'unità è accesa.
- È possibile porre in standby (attesa) l'unità premendo STNDBY/ON sul telecomando.
- Questa unità dispone della funzione di standby automatico. Attivando questa funzione, l'unità entra automaticamente in standby 30 minuti dopo aver interrotto la riproduzione del disco. Per i dettagli, vedere pagina 13.

④ Indicatore di accensione

L'indicatore mostra i seguenti stati:
Unità accesa: indicatore illuminato
Unità in standby: indicatore spento
Unità spenta: indicatore spento

⑤ DISC (1-5)

Permette di selezionare il disco desiderato e di avviare la riproduzione.

⑥ PURE DIRECT

Attiva o disattiva la modalità PURE DIRECT per una migliore qualità audio.



- L'indicatore PURE DIRECT si illumina.
- L'uscita digitale è disattivata.
- Durante il funzionamento, il quadrante del pannello frontale è spento e sono visualizzati solo gli indicatori e i messaggi indispensabili.

Nota

Se si intende utilizzare spesso la modalità PURE DIRECT, effettuare i collegamenti utilizzando i terminali ANALOG OUT (vedere pagina 4).

⑦ Sensore del telecomando

Riceve i segnali dal telecomando.

⑧ Porta iPod/USB

Permette il collegamento di un iPod o di un dispositivo USB. Per dettagli, vedere pagina 9.

⑨ Indicatore iPod/USB

Spento: modalità CD selezionata.

Arancione: connessione pronta.

Verde: iPod/USB connesso e file riproducibili rilevati (pronti alla riproduzione).



⑩ CD/USB


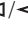
Permette la selezione tra la modalità CD e iPod/USB. Vedere pagina 9.





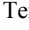
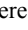

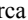
Quando l'indicatore iPod/USB è spento, l'unità è in modalità CD.

⑪ / (Salta/Ricerca indietro), / (Salta/Ricerca in avanti)

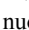
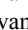
 / : Salta al brano successivo.

 / : Salta indietro all'inizio del brano in corso di lettura.

 /  (due volte): Salta al brano precedente.

Tenere premuto  /  o  /  per eseguire la ricerca indietro/avanti.

⑫ (Riproduci) / (Pausa)

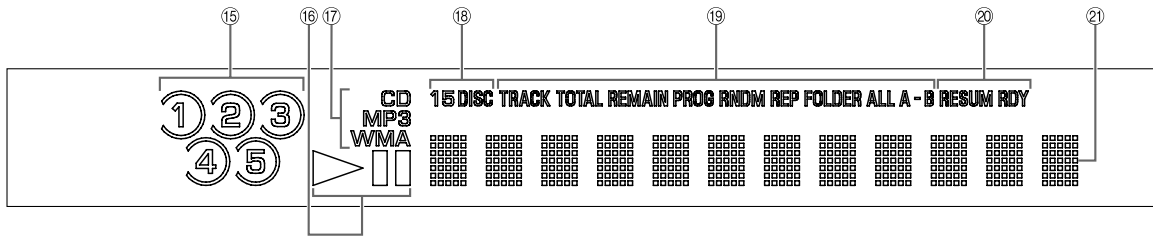
Avvia o pone in pausa la riproduzione. Premere nuovamente  /  per riprendere la riproduzione.

⑬ (Interrompi)

Interrompe la riproduzione.

⑭ PLAYXCHANGE

Permette di aprire il piatto portadischi durante la riproduzione di un disco senza interromperla. Per dettagli, vedere pagina 8.



⑮ Indicatore disco selezionato

I numeri corrispondenti ai piatti che contengono dischi si illuminano. I numeri acclusi indicano il disco correntemente selezionato.

Nota

Il numero corrispondente a un piatto vuoto potrebbe illuminarsi prima che il piatto stesso venga selezionato. Una volta chiuso il piatto portadischi in seguito al caricamento/sostituzione dei dischi, l'unità avvia la ricerca dei dischi, a partire dal piatto 1. Durante la ricerca, i numeri dei piatti in cui non è presente alcun disco si spengono. Una volta riconosciuto un disco, la ricerca termina e i piatti rimanenti vengono per il momento ignorati.

⑯ Indicatore dello stato di riproduzione

Si illumina quando l'unità è in riproduzione o pausa.

⑰ Indicatore del tipo di sorgente

Indica il tipo di contenuto correntemente riprodotto.

⑱ Indicatore della modalità di riproduzione

Segnala la modalità di riproduzione selezionata (1DISC o 5DISC). Vedere "MODE" (pagina 5) per i dettagli.

⑲ Indicatore di tempo e modalità di riproduzione

Mostra la modalità di riproduzione corrente e lo stato del quadrante dei tempi (vedere pagine 5 e 8 per le modalità di riproduzione, e pagina 6 per il quadrante dei tempi).

⑳ Indicatore delle impostazioni avanzate

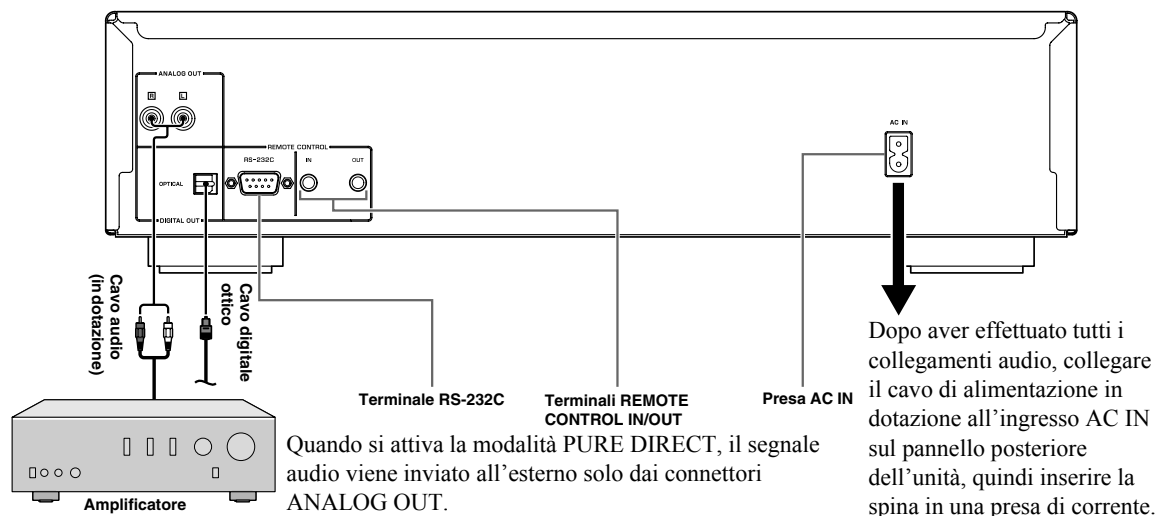
Mostra l'attivazione delle modalità speciali. Vedere "UTILIZZO DELLE IMPOSTAZIONI AVANZATE" (pagina 13) per i dettagli.

㉑ Quadrante delle informazioni

Conessioni del pannello posteriore

ATTENZIONE

Prima di procedere a un collegamento qualsiasi, interrompere l'alimentazione dell'apparecchio, dell'amplificatore o altri componenti.



■ VOLTAGE SELECTOR (Solo per modelli generale o per l'Asia)

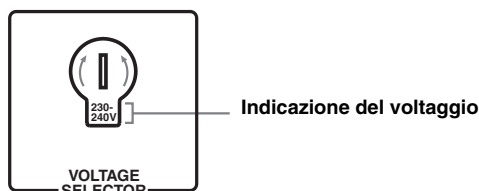
I voltaggi consentiti sono i seguenti:
AC 110/120/220/230-240 V, 50/60 Hz

ATTENZIONE

Il selettore VOLTAGE SELECTOR sul pannello posteriore di questa unità deve essere impostato in base al valore della tensione locale PRIMA di collegare il cavo di alimentazione in dotazione alla presa di rete.

L'impostazione errata del selettore VOLTAGE SELECTOR può causare danni all'unità e creare un potenziale rischio di incendio.

Ruotare il selettore VOLTAGE SELECTOR in senso orario o antiorario nella posizione corretta mediante un giravite.



Note sull'installazione personalizzata

■ Terminali REMOTE CONTROL IN/OUT

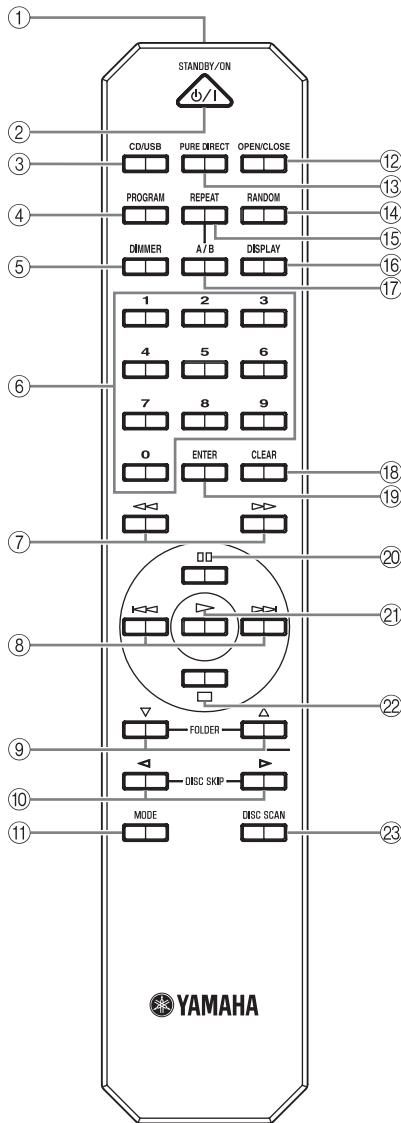
Questi terminali possono essere utilizzati per l'installazione personalizzata dell'unità. Collegando l'unità ad altri componenti per l'integrazione in un sistema personale, è possibile controllarla utilizzando il telecomando del sistema. Collegare il terminale **REMOTE CONTROL IN** dell'unità al terminale di uscita del controller centrale del sistema personale.

Collegando il terminale **REMOTE CONTROL OUT** dell'unità al terminale di ingresso per il controllo a distanza di altri dispositivi, è possibile utilizzare il telecomando del sistema per controllare tutti i componenti. In questo modo è infatti possibile collegare in serie fino a 6 componenti.

■ Terminale RS-232C

Questa unità dispone anche di un terminale RS-232C. Consultare il rivenditore per maggiori informazioni.

Telecomando



① Trasmittitore di segnale a infrarossi

Invia i segnali a infrarossi all'unità.

② STANDBY/ON

Accende o pone l'unità in standby quando ϕ (Interruttore di accensione) sul pannello anteriore è premuto verso l'interno in posizione ON.

Nota

L'unità può essere utilizzata solo dopo aver premuto ϕ (Interruttore di accensione) verso l'interno in posizione ON.

③ CD/USB

Permette la selezione tra la modalità CD e iPod/USB (vedere pagina 9).



Questa impostazione viene mantenuta anche se si spegne l'unità.

④ PROGRAM

Attiva o disattiva la modalità di riproduzione programmata. Vedere "Riproduzione programmata" a pagina 8.

⑤ DIMMER

A ogni pressione del tasto DIMMER, l'intensità di illuminazione viene alternata in quattro livelli.



Questa impostazione viene mantenuta anche se si spegne l'unità.

⑥ Tasti numerici

Utilizzabili per selezionare direttamente il brano di un disco o un file nella cartella corrente.

⑦ \leftarrow (Ricerca indietro), \rightarrow (Ricerca in avanti)

Effettua la ricerca indietro/in avanti mentre il tasto è premuto.

⑧ \leftarrow (Salta indietro), \rightarrow (Salta in avanti)

\rightarrow : Salta al brano successivo.

\leftarrow : Salta indietro all'inizio del brano in corso di lettura.

\leftarrow (due volte): Salta al brano precedente.

⑨ FOLDER ∇ (Cartella giù), \triangle (Cartella su)

Data Disc **USB**

∇ : Salta alla cartella precedente.

\triangle : Salta alla cartella successiva.

Vedere pagina 9 per i dettagli.

⑩ DISC SKIP \leftarrow (Disco precedente), \rightarrow (Disco successivo)

Salta al disco precedente/successivo.

⑪ MODE

Permette di selezionare la modalità di riproduzione tra 1DISC e 5DISC.

In modalità 1DISC, viene riprodotto solo il disco selezionato.

In modalità 5DISC, tutti i dischi sul piatto vengono riprodotti in sequenza.

⑫ OPEN/CLOSE

Apri o chiudi il piatto portadischi. È possibile caricare o sostituire fino a cinque dischi per volta. Per i dettagli, vedere pagina 8.

⑬ PURE DIRECT

Attiva o disattiva la modalità PURE DIRECT per una migliore qualità audio. Per i dettagli, vedere pagina 2.



Questa impostazione viene mantenuta anche se si spegne l'unità.

⑭ RANDOM

Attiva o disattiva la riproduzione con sequenza casuale.

Nota

La riproduzione con sequenza casuale è annullata quando si espelle il disco dal lettore.

15 REPEAT

Ripete la riproduzione di un singolo brano o di tutti i brani. Ogni volta che si preme il tasto REPEAT durante la riproduzione, lo stato di ripetizione cambia nel seguente modo:

- REP TRACK (ripetizione singola): permette di ripetere il singolo brano in riproduzione.
- REP ALL (ripetizione completa): permette di ripetere tutti i brani del disco.

Data Disc **USB**

- REP FOLDER (ripetizione completa cartella): permette di ripetere tutti i file contenuti nella cartella.

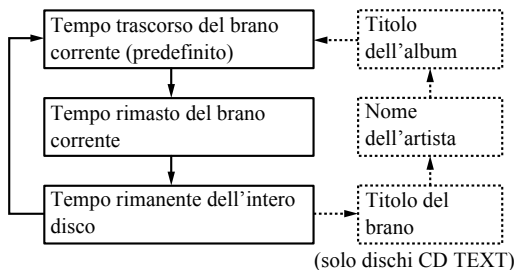


Questa funzione è anche operativa nelle modalità di riproduzione programmata e di riproduzione in sequenza casuale.

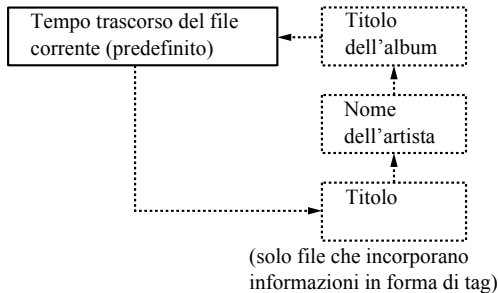
16 DISPLAY

Attiva i quadranti dei tempi. Ogni volta che si preme il tasto DISPLAY durante la riproduzione, lo stato del quadrante dei tempi cambia nel seguente modo:

Audio CD



Data Disc **USB**



17 A/B **Audio CD**

Permette di ripetere la riproduzione di un certo intervallo di un brano. Per impostare i punti di inizio e fine dell'intervallo (A e B), premere due volte il tasto A/B durante la riproduzione.

Per annullare la funzione A-B, premere nuovamente il tasto A/B.

Note

- Non è consentito impostare un intervallo A-B che comprenda due brani.
- Non è consentito impostare un intervallo A-B per i Data Disc e i brani USB.
- Se si arresta la riproduzione premendo □ (Interrompi), la ripetizione A-B viene annullata.
- La modalità PURE DIRECT non permette l'utilizzo della funzione A-B.

18 CLEAR

Elimina il brano programmato.

19 ENTER

Conferma il numero del brano selezionato durante la programmazione.

20 **⏸ (Pausa)**

Pone in pausa la riproduzione. Premere ▷ o ⏸ per riprendere la riproduzione.

21 ▷ **(Riproduci)**

Avvia la riproduzione.

22 □ **(Interrompi)**

Interrompe la riproduzione.

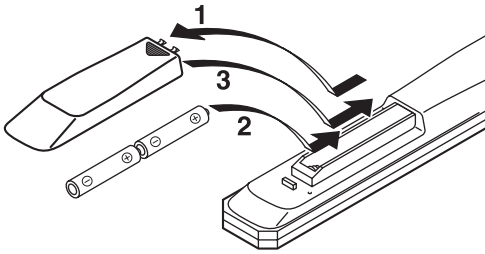
23 DISC SCAN

Scansiona i dischi caricati e riproduce circa 10 secondi di ciascun disco, per facilitare la ricerca del disco desiderato. Per annullare la scansione e tornare alla riproduzione normale, premere nuovamente DISC SCAN, oppure premere ▷ (Riproduci).

Note

- Durante la scansione, il numero del piatto correntemente riprodotto lampeggia sul quadrante. Il numero cessa di lampeggiare e si illumina non appena termina la riproduzione del disco.
- Se nel disco riprodotto sono presenti lunghe pause tra un brano e l'altro, durante la scansione non si udirà alcun suono.

■ Installazione di batterie nel telecomando

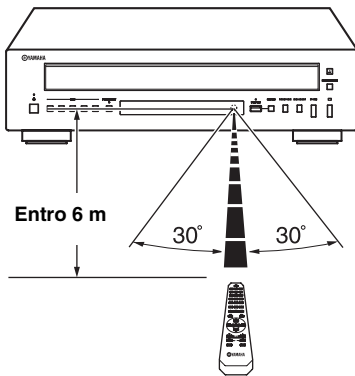


- 1** Premere la parte ▼ e far scorrere il coperchio del vano portabatteria.
- 2** Inserire le due batterie (AA, R6, UM-3) in dotazione, facendo attenzione a rispettare la corretta polarità (+ e -) indicata all'interno del vano.
- 3** Far scorrere indietro il coperchio finché non scatta in posizione.

■ Utilizzo del telecomando

Il telecomando trasmette un fascio direzionale di raggi infrarossi.

Assicurarsi di puntare il telecomando direttamente verso il sensore sul pannello frontale dell'unità durante il funzionamento.



■ Note sulle batterie

- Cambiare tutte le batterie se si nota che il campo di funzionamento del telecomando diminuisce.
- Usare batterie AA, R6, UM-3.
- Controllare che le polarità delle batterie siano orientate correttamente. Controllare in proposito le illustrazioni dell'interno del vano batterie.
- Rimuovere le batterie se si ritiene di non dover usare il telecomando per qualche tempo.
- Non mescolare batterie vecchie e nuove.
- Non usare insieme batterie di tipo differente, ad esempio alcaline e al manganese. Leggere attentamente le avvertenze sulla batteria, dato che batterie diverse possono avere lo stesso colore e la stessa forma.
- Se le batterie perdono, gettarle immediatamente. Non toccare l'acido da esse uscito e non farlo entrare in contatto con abiti ed altri oggetti. Pulire immediatamente e accuratamente il vano batterie, e solo allora installare batterie nuove.
- Non gettare le batterie nelle immondizie. Sbarazzarsene in accordo con le norme di legge.

■ Trattamento del telecomando

- L'area fra il telecomando e quest'unità deve essere libera da ostacoli.
- Non versare acqua o altri liquidi sul telecomando.
- Non far cadere il telecomando.
- Non lasciare o custodire il telecomando in ambienti come i seguenti:
 - luoghi molto umidi, ad esempio un bagno
 - luoghi esposti a temperature elevate, ad esempio vicino a stufe o caloriferi
 - luoghi estremamente freddi
 - luoghi polverosi
- Non esporre il sensore del telecomando a luce intensa, in particolare proveniente da luci a fluorescenza, altrimenti il telecomando potrebbe non funzionare più bene. Se necessario allontanare quest'unità dalla luce.

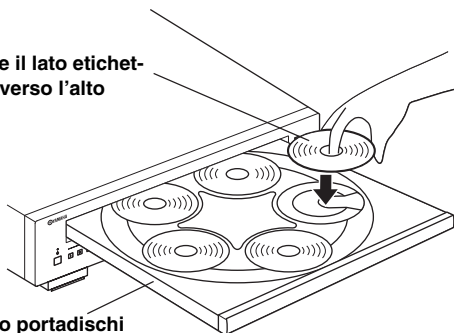
CARICAMENTO E RIPRODUZIONE DEI DISCHI

È possibile caricare o sostituire fino a cinque dischi per volta.

1 Premere OPEN/CLOSE per aprire il piatto portadischi e caricare i dischi.

Utilizzare le guide per allineare correttamente i dischi nel piatto.

Porre il lato etichettato verso l'alto



Nota

Per riprodurre un CD da 8 cm, posizionarlo nell'area concava interna del piatto portadischi. Non posizionare un CD normale da 12 cm sopra un disco da 8 cm.

2 Premere OPEN/CLOSE per chiudere il piatto portadischi.

3 Premere MODE per selezionare la modalità di riproduzione dei dischi desiderata (1DISC o 5DISC) e verificare sul quadrante la scelta effettuata.

1DISC: L'unità riproduce solo il disco selezionato.

5DISC: L'unità riproduce in sequenza tutti i dischi posti sul piatto.

4 Premere ▷ (Riproduce) per avviare la riproduzione a partire dal primo brano del disco 1.

5 (Se necessario) Selezionare il disco desiderato utilizzando il tasto DISC SKIP ◀ / ▶, o DISC (1-5) sul pannello anteriore.

Riproduzione programmata

Audio CD

Nella modalità di riproduzione programmata è possibile riprodurre i brani in base alla propria sequenza preferita.

Note

- È possibile programmare e riprodurre i brani in qualsiasi ordine da tutti i dischi caricati (1-5).
- La programmazione viene cancellata nel momento in cui si rimuove un disco, quando si spegne l'unità o la si pone in standby.

1 A riproduzione ferma, premere il tasto PROGRAM.

L'unità richiama la modalità di gestione della riproduzione programmata.

2 Selezionare un disco con uno dei tasti DISC (1-5) sul pannello anteriore o premendo DISC SKIP ◀ / ▶ sul telecomando.

3 Scegliere il brano desiderato usando i tasti numerici e premere ENTER.

4 Ripetere i punti 2 e 3 della procedura per programmare il brano successivo.

È possibile programmare fino a 24 brani in sequenza.



Per annullare la programmazione dei brani, premere CLEAR.

5 Premere ▷.

La riproduzione viene avviata a partire dal primo brano della sequenza programmata.



Per cancellare tutti i brani programmati, premere CLEAR quando la riproduzione è interrotta.

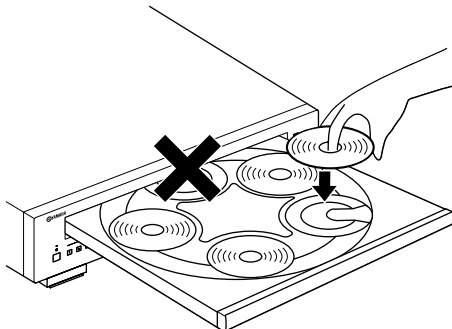
PLAYXCHANGE

PLAYXCHANGE è una funzione che consente di sostituire i dischi senza interrompere la riproduzione in corso.

Premere il tasto PLAYXCHANGE sul pannello anteriore per aprire il piatto e sostituire i dischi.

ATTENZIONE

Non tentare di caricare un disco come illustrato nella posizione marcata x nella figura in basso. In caso contrario è possibile danneggiare l'unità e il disco, poiché tale posizione è assegnata al disco in riproduzione.



Nota

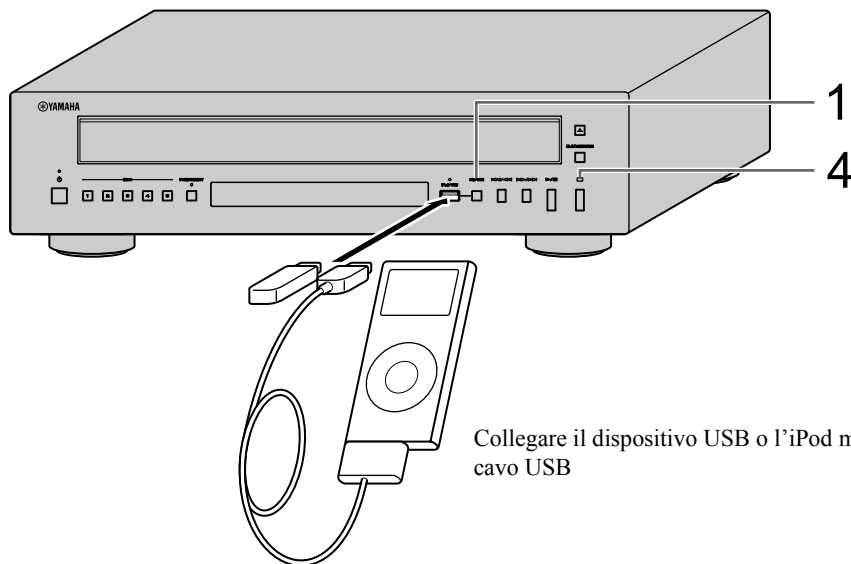
I tasti DISC SKIP non funzionano mentre il piatto portadischi è aperto.

LETTURA DI iPod/DISPOSITIVI USB

Collegamento di iPod/dispositivi USB

Note iPod

- Utilizzare il cavo USB fornito insieme all'iPod. Se non si dispone di un cavo USB, acquistarne uno compatibile da Apple Inc.
- Spegnerne l'iPod.
- Non utilizzare un hub USB.



Letture dell'iPod

1 Premere CD/USB per selezionare la modalità iPod/USB.

L'indicatore iPod/USB sul pannello frontale si illumina prima in arancione, poi si illumina in verde per segnalare che il dispositivo è pronto alla riproduzione.

2 Avviare la riproduzione.

Avviare la riproduzione sull'iPod, selezionare i brani, sospendere la riproduzione e quindi interromperla.



È anche possibile utilizzare i seguenti tasti: ▷ (Riproduci), || (Pausa), □ (Interrompi), ◀◀ (Salta indietro), ▶▶ (Salta in avanti), ◀◀ (Ricerca indietro) e ▶▶ (Ricerca in avanti), sia sull'unità sia sul telecomando.

Nota

Questa unità potrebbe non essere in grado di interfacciarsi correttamente con un iPod il cui software non è aggiornato. Accertarsi di aver installato sull'iPod l'ultima versione del software.

Letture di dispositivi USB

1 Premere CD/USB per selezionare la modalità iPod/USB.

L'indicatore iPod/USB sul pannello frontale si illumina.

2 Avviare la riproduzione.

Il nome del file viene visualizzato sul quadrante del pannello frontale, e l'unità avvia automaticamente la riproduzione in base alla data e ora di creazione di tutti i file riconosciuti validi trovati sul dispositivo USB.

3 Selezionare un brano.

Premere FOLDER ▽/△ sul telecomando per scegliere una cartella, quindi premere ◀◀▶▶ o un tasto numerico per selezionare direttamente un brano.

4 Interrompere la riproduzione.

Premere □ (Interrompi).

Vedere pagina 11 per maggiori informazioni sulla riproduzione dei file MP3/WMA.

Disconnessione di iPod/dispositivi USB

Interrompere la riproduzione e quindi disconnettere l'iPod o il dispositivo USB. In particolare si raccomanda di premere CD/USB per passare alla modalità CD, verificare che l'indicatore CD/USB si spenga e infine disconnettere il dispositivo iPod/USB.

ATTENZIONE

Non disconnettere l'iPod o il dispositivo USB mentre è in corso la riproduzione da questi, o mentre l'indicazione "USB READING" è visualizzata sul quadrante del pannello anteriore.

iPod/dispositivi USB supportati

■ Modelli di iPod supportati

- iPod classic (incluso il modello da 120 GB)
 - iPod nano (2a, 3a e 4a generazione)
 - iPod touch (1a e 2a generazione)
- (elenco valido a tutto aprile 2009)

Note

- I prodotti iPod includono una clausola contrattuale di acquisto che lascia libero l'utente di effettuare la duplicazione e la riproduzione di materiale personale non protetto da diritti d'autore, oppure la duplicazione e la riproduzione di materiale per cui tali operazioni sono consentite. La violazione dei diritti d'autore è proibita dalla legge.
- Yamaha e i suoi fornitori declinano ogni responsabilità in relazione alla perdita di eventuali dati presenti su un iPod collegato alla presente unità. Per precauzione, si consiglia di eseguire copie di backup dei file.

■ Dispositivi USB supportati

Questa unità supporta dispositivi di archiviazione di massa USB (ad esempio memorie flash, lettori di card o lettori audio portatili) che utilizzano un file system di tipo FAT16 o FAT32.

Note

- Alcuni dispositivi potrebbero non funzionare correttamente anche se soddisfano i requisiti.
- Questa unità non supporta dispositivi di memoria USB criptati.
- Non collegare dispositivi diversi da periferiche di archiviazione di massa: alimentatori USB, hub USB, PC, hard disk esterni etc.
- Quando si inseriscono almeno due schede di memoria contemporaneamente in un lettore di schede collegato alla porta iPod/USB di questa unità, solo una delle schede viene riconosciuta.
- Yamaha e i suoi fornitori declinano ogni responsabilità in relazione alla perdita di dati salvati nei dispositivi USB collegati all'unità. Per precauzione, si consiglia di eseguire copie di backup dei file.
- La riproduzione e l'alimentazione di tutti i tipi di dispositivi USB non è garantita.

DISCHI E FORMATI DI FILE RIPRODUCIBILI

■ File MP3 e WMA riproducibili (dispositivi USB e Data Disc)

MP3

Formato	Bitrate (kbps)	Frequenza di campionamento (kHz)
MPEG 1 Audio Layer-3	32-320 *	32/44,1/48
MPEG 2 Audio Layer-3, 2	8-160 *	16/22,05/24
MPEG-2.5 Audio Layer-2	8-160 *	8/11,025/12

* È supportata anche la trasmissione a bitrate variabile.

WMA

- Versione 8
- Versione 9 (sono supportate le trasmissioni a bitrate standard e variabile. Professional e Lossless non sono supportate.)

Profilo	Bitrate (kbps)	Frequenza di campionamento (kHz)
High Profile	32-320 *	32/44,1/48
Mid Profile	16-32	16/22,05

* È supportata anche la trasmissione a bitrate variabile.

Note

- La riproduzione per i Data Disc inizia in base all'ordine alfanumerico dei file.
- La riproduzione per le unità USB inizia per data e ora di creazione dei file.
- I file protetti dal codice anticopia WMA (DRM) non possono essere riprodotti da questa unità.
- Il disco deve essere compatibile con lo standard ISO 9660.
- Il tempo di riproduzione trascorso potrebbe non essere indicato accuratamente per il materiale con un bitrate variabile.

	Data Disc	USB
Numero massimo di file	999	32767
Numero massimo di cartelle	256	256
Numero massimo di file per cartella	512	512

■ Dischi riproducibili

Utilizzare compact disc che riportano sulla confezione i seguenti loghi.



.... Compact disc (audio digitale)



.... Dischi audio digitali CD-R, CD-RW

- Dischi CD-R o CD-RW riportanti una delle seguenti avvertenze.

FOR CONSUMER
FOR CONSUMER USE
FOR MUSIC USE ONLY

- Dischi CD-R o CD-RW finalizzati.



Nota

Il presente lettore di compact disc potrebbe non essere in grado di riprodurre alcuni dischi CD-R/CD-RW o dischi su cui la registrazione non è stata eseguita correttamente.



.... Dischi CD-TEXT

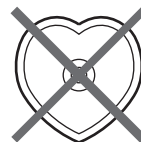
- I CD TEXT consentono di visualizzare, oltre alla durata temporale, anche il titolo dell'album, il nome dell'artista e il titolo del brano.

Per riprodurre un CD da 8 cm

Posizionarlo nell'area concava interna del piatto portadischi. Non inserire un normale CD (12 cm) sopra un disco da 8 cm.

Per evitare malfunzionamenti dell'unità:

- Non utilizzare dischi di forma non standard (a cuore o altro) disponibili in commercio poiché potrebbero danneggiare l'unità.
- Non utilizzare dischi con nastri, adesivi o altro materiale incollato. Tali dischi potrebbero rimanere incollati all'unità o danneggiarla.

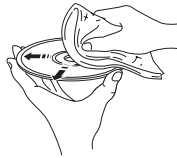


■ Gestione dei compact disc

- Manipolare i dischi con la massima cura in modo da non graffiare la superficie. Non deformare i dischi.



- Utilizzare un panno asciutto e morbido per pulire la superficie del disco. Non utilizzare alcun prodotto di pulizia, spray o qualsiasi tipo di liquido contenente sostanze chimiche.
- Non pulire il disco con movimenti circolari, ma dal centro verso l'esterno.



- Utilizzare una penna con punta morbida per scrivere sull'etichetta del disco.
- Quando non si utilizza un disco, rimuoverlo dall'unità e conservarlo in una custodia appropriata.
- Non esporre i dischi alla luce solare diretta, ad alte temperature o elevata umidità per un periodo di tempo prolungato.

UTILIZZO DELLE IMPOSTAZIONI AVANZATE

Questa unità dispone di quattro speciali modalità che possono risultare particolarmente utili per l'impiego in negozi o uffici.

Nota

Le funzioni delle modalità speciali non sono compatibili con l'iPod.

Memorizzazione della modalità di riproduzione

Permette di memorizzare la modalità di riproduzione corrente (REPEAT e RANDOM) dopo lo spegnimento dell'unità, in maniera da evitare una nuova impostazione ogni volta che si accende il lettore.

Viene inoltre mantenuto in memoria anche il numero del brano, per cui la riproduzione riparte automaticamente dallo stesso brano quando si accende nuovamente l'unità. L'attivazione di questa funzione è segnalata dall'illuminazione dell'indicatore RESUM sul quadrante del pannello frontale.

Modalità Ready

Permette di porre in pausa il lettore al termine di ogni brano, in modo da lasciare all'utente la scelta su quando avviare il brano successivo.

L'attivazione di questa funzione è segnalata dall'illuminazione dell'indicatore RDY sul quadrante del pannello frontale.

RS-232C ON/OFF

Attiva o disattiva il terminale RS-232C posto sul pannello posteriore.

Attivare il parametro quando si desidera utilizzare la funzionalità RS-232C.

L'unità viene fornita con questa funzione disattivata.

Modalità Standby automatico

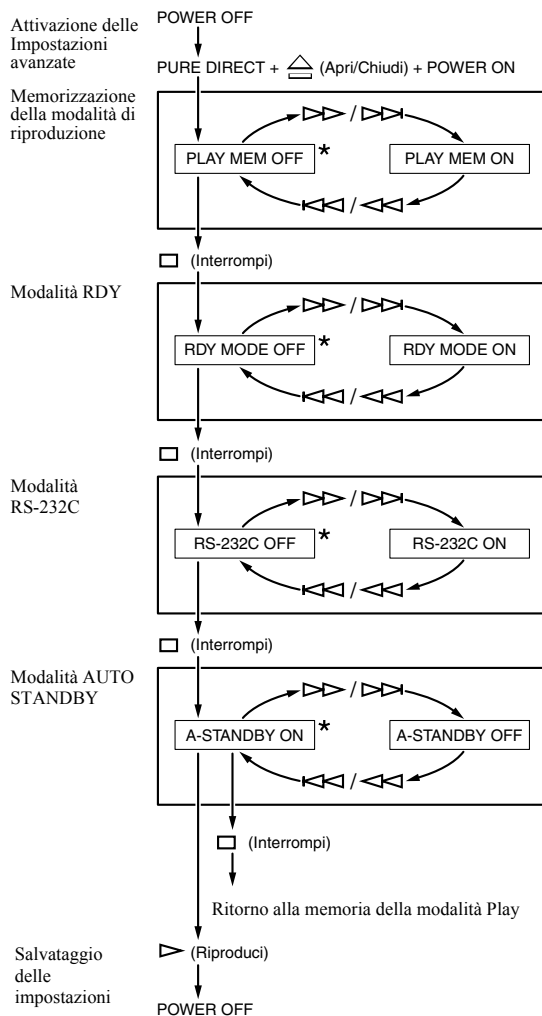
Attivando questa modalità, l'unità entra automaticamente in standby dopo 30 minuti dal verificarsi delle seguenti condizioni:

- 1) Interruzione della riproduzione del CD in modalità CD (incluso il mancato caricamento di un disco o il caricamento di un disco incompatibile).
- 2) Messa in pausa della riproduzione del CD.
- 3) Mancato collegamento di un dispositivo USB mentre l'unità è in modalità iPod/USB.
- 4) Collegamento di un dispositivo USB non supportato in modalità iPod/USB (indicatore iPod/USB rimane illuminato in arancione).

Nota

L'unità non entra automaticamente in standby se si collega un dispositivo USB o un iPod supportato (indicatore iPod/USB illuminato in verde).

Per attivare e configurare le Impostazioni avanzate, effettuare le seguenti operazioni: Utilizzare i tasti sul pannello anteriore.



*: Impostazione predefinita

Alla successiva accensione, l'unità richiama automaticamente le impostazioni specificate.

RISOLUZIONE DEI PROBLEMI

Qualora l'unità non funzioni correttamente, controllare i seguenti punti per determinare se il problema è correggibile con le semplici misure suggerite. Se non è possibile correggerlo, o se il problema non è elencato nella colonna Problemi, scollegare il cavo di alimentazione e contattare il rivenditore o il servizio assistenza Yamaha.

Problemi	Possibili cause	Soluzioni	Fare riferimento a pagina
L'unità non si accende.	Il cavo di alimentazione è scollegato dalla presa AC IN sul pannello posteriore o è staccato dalla presa di rete.	Collegare il cavo di alimentazione in modo stabile.	4
L'unità si spegne improvvisamente.	Viene attivata la modalità Standby automatico.	Disattivare la modalità Standby automatico.	13
Il piatto portadischi non si chiude completamente.	Un oggetto estraneo ostruisce il piatto.	Esaminare attentamente il piatto e togliere l'eventuale impedimento.	—
La riproduzione del disco non inizia, oppure il numero del disco non si illumina sul quadrante.	Il disco è danneggiato.	Controllare attentamente il disco e sostituirlo, se necessario.	—
	Vi è dell'umidità sul pickup laser.	Attendere 20-30 minuti dopo aver acceso l'unità prima di riprovare la lettura di un disco.	—
	Il disco è caricato capovolto.	Inserire il disco in modo corretto, con il lato etichettato rivolto verso l'alto.	—
	Il disco è sporco.	Pulire il disco.	13
	Il formato dei file MP3 o WMA non è compatibile con questa unità.	Sostituire il disco con un disco registrato correttamente e che possa essere letto da quest'apparecchio.	13
	Il disco CD-RW (ReWritable) non è registrato correttamente.	Sostituire il disco con un disco registrato correttamente e che possa essere letto da quest'apparecchio.	13
	Il disco non è standard e non è leggibile da questa unità.	Sostituire il disco con un disco registrato correttamente e che possa essere letto da quest'apparecchio.	13
Non è possibile avviare la lettura dei brani sull'iPod anche se questo è collegato.	L'unità si trova in modalità iPod/USB.	Passare alla modalità disco premendo CD/USB.	2
	L'iPod connesso non è compatibile con quest'unità.	Collegare un iPod compatibile con quest'unità. Gli iPod compatibili sono i seguenti: <ul style="list-style-type: none"> iPod classic (incluso il modello da 120 GB) iPod nano (2a, 3a e 4a generazione) iPod touch (1a e 2a generazione) (elenco valido a tutto aprile 2009)	10
La lettura USB non inizia.	L'unità è impostata su modalità disco.	Passare alla modalità iPod/USB premendo CD/USB.	9
	Dispositivo USB collegato in modo improprio.	Collegare di nuovo il iPod/dispositivo USB.	9
	Il formato dei file MP3 o WMA non è compatibile con questa unità.	Sostituire il file con un file registrato correttamente e che possa essere riprodotto da quest'apparecchio.	11
La riproduzione è ritardata o inizia nel punto sbagliato.	L'unità è impostata su modalità disco.	Passare alla modalità iPod/USB premendo CD/USB.	9
	Il disco potrebbe essere graffiato o danneggiato.	Controllare attentamente il disco e sostituirlo, se necessario.	11
Nessun suono.	Cavi di uscita collegati in modo improprio.	Collegare correttamente i cavi. Se il problema persiste, i cavi potrebbero essere difettosi.	4
	Funzionamento incorretto dell'amplificatore.	Regolare i comandi dell'amplificatore in modo da selezionare l'ingresso corretto.	—
Il suono di un componente collegato alle prese DIGITAL OUT non è riprodotto.	PURE DIRECT è acceso.	Spegnere PURE DIRECT. Oppure eseguire un collegamento analogico.	2

Problemi	Possibili cause	Soluzioni	Fare riferimento a pagina
Il suono "salta".	L'apparecchio subisce vibrazioni o altri disturbi.	Spostare l'unità.	—
	Il disco è sporco.	Pulire il disco.	11
Si sente un "ronzio".	Cavi collegati in modo improprio.	Verificare il collegamento dei cavi. Se il problema persiste, i cavi potrebbero essere difettosi.	4
Rumore da un sintonizzatore vicino.	Il sintonizzatore è troppo vicino all'apparecchio.	Allontanare adeguatamente il sintonizzatore e l'unità o spegnere l'unità.	—
Rumore dall'interno del piatto portadischi.	Il disco è probabilmente piegato.	Sostituire il disco.	—
Il telecomando non funziona correttamente.	Distanza o angolazione errata.	Il telecomando funziona a una distanza massima di 6 m e con un'inclinazione massima di 30 fuori asse dal pannello frontale.	5
	La luce solare o l'illuminazione diretta (da una lampada a fluorescenza di tipo inverter o altro) colpisce il sensore del telecomando dell'unità.	Riposizionare l'unità.	—
	Le batterie sono quasi esaurite.	Sostituire le batterie.	5

SPECIFICHE TECNICHE

Sezione audio

- Risposta in frequenza..... 2 Hz - 20 kHz, $\pm 0,5$ dB
- Distorsione armonica + rumore (1 kHz)..... 0,003 % o minore
- Rapporto segnale/rumore..... 105 dB o maggiore
- Range dinamico 96 dB o maggiore
- Tensione di uscita (1 kHz, 0 dB) $2,0 \pm 0,3$ V

Proprietà diodo laser

- Materiale GaAlAs
- Lunghezza d'onda..... 790 nm
- Uscita laser..... max. $1,23 \mu\text{W}$ *

* Questa uscita è il valore misurato a una distanza di circa 200 mm dalla superficie della lente dell'obiettivo sul blocco pick-up ottico.

Generale

- Alimentazione
 - Modelli U.S.A. e Canada AC 120 V, 60 Hz
 - Modello per l'Australia AC 240 V, 50 Hz
 - Modello per l'Europa AC 230 V, 50 Hz
 - Modelli per l'Asia e generale AC 110-120/220-240 V, 50/60 Hz
- Temperatura di esercizio da $+5$ °C a $+35$ °C (da $+41$ °F a $+95$ °F)
- Consumo elettrico 16 W
- Consumo elettrico in standby inferiore a 0,5 W
- Dimensioni (L \times A \times P) 435 \times 116 \times 405 mm
- Peso 6,2 kg

Specifiche tecniche soggette a variazioni senza ulteriore preavviso.

iPod™

"iPod" è un marchio di Apple Inc., registrato in U.S.A. e altri paesi.

"Made for iPod" indica che un accessorio elettronico è stato progettato per poter essere specificatamente collegato con l'iPod, ed è certificato dal produttore in base agli standard tecnici stabiliti da Apple.

Apple declina ogni responsabilità in relazione all'operatività di quest'apparecchio e alla conformità alle norme relative agli standard di sicurezza.

PRECAUCIÓN: LEA LAS INDICACIONES SIGUIENTES ANTES DE UTILIZAR ESTE APARATO

- 1 Para asegurar el mejor rendimiento de este aparato, lea atentamente este manual. Y luego guárdelo en un lugar seguro para poder consultarlo en el futuro en caso de ser necesario.
- 2 Instale este sistema de sonido en un lugar bien ventilado, fresco, seco y limpio; alejado de la luz solar directa, fuentes de calor, vibración, polvo, humedad y/o frío. Para conseguir una ventilación correcta, deje estos espacios mínimos.
Superior: 2,5 cm
Posterior: 2,5 cm
Laterales: 2,5 cm
- 3 Coloque este aparato lejos de otros aparatos eléctricos, motores o transformadores, para evitar así los ruidos de zumbido.
- 4 No exponga este aparato a cambios bruscos de temperaturas, del frío al calor, ni lo coloque en lugares muy húmedos (una habitación con deshumidificador, por ejemplo), para impedir así que se forme condensación en su interior, lo que podría causar una descarga eléctrica, un incendio, daños en el aparato y/o lesiones a las personas.
- 5 Evite instalar este aparato en un lugar donde puedan caerle encima objetos extraños y/o donde quede expuesto al goteo o a la salpicadura de líquidos. Encima de este aparato no ponga:
 - Otros componentes, porque pueden causar daños y/o decoloración en la superficie de este aparato.
 - Objetos con fuego (velas, por ejemplo), porque pueden causar un incendio, daños en el aparato y/o lesiones a las personas.
 - Recipientes con líquidos, porque pueden caerse y derramar el líquido, causando descargas eléctricas al usuario y/o dañando el aparato.
- 6 No tape este aparato con un periódico, mantel, cortina, etc. para no impedir el escape del calor. Si aumenta la temperatura en el interior del aparato, esto puede causar un incendio, daños en el aparato y/o lesiones a las personas.
- 7 No enchufe este aparato a una toma de corriente hasta después de haber terminado todas las conexiones.
- 8 No ponga el aparato al revés. Podría recalentarse y posiblemente causar daños.
- 9 No utilice una fuerza excesiva con los conmutadores, los controles y/o los cables.
- 10 Cuando desconecte el cable de la alimentación de la toma de corriente, sujete la clavija y tire de ella; no tire del propio cable.
- 11 No limpie este aparato con disolventes químicos porque podría estropear el acabado. Utilice un paño limpio y seco para limpiar el aparato.
- 12 Utilice solamente la tensión especificada en este aparato. Utilizar el aparato con una tensión superior a la especificada resulta peligroso y puede producir un incendio, daños en el aparato y/o lesiones a las personas. Yamaha no se hará responsable de ningún daño debido al uso de este aparato con una tensión diferente de la especificada.
- 13 Para impedir daños debidos a relámpagos, desconecte el cable de alimentación y antenas externas de la toma de corriente durante una tormenta eléctrica.
- 14 No intente modificar ni arreglar este aparato. Póngase en contacto con el personal de servicio Yamaha cualificado cuando necesite realizar alguna reparación. La caja no deberá abrirse nunca por ninguna razón.

- 15 Cuando no piense utilizar este aparato durante mucho tiempo (es decir, cuando se ausente de casa por vacaciones, etc.) desconecte el cable de alimentación de la toma de corriente.
- 16 Instale esta unidad cerca de la toma de CA y donde se pueda alcanzar fácilmente la clavija de alimentación de CA.
- 17 Asegúrese de leer la sección “SOLUCIÓN DE PROBLEMAS” del manual del usuario sobre los errores comunes de operación antes de dar por concluido que su aparato está averiado.
- 18 Antes de trasladar este aparato, pulse ϕ hacia abajo para desconectar la alimentación del mismo, y luego desconecte el cable de alimentación de CA de la toma de corriente de CA.
- 19 Las baterías no deberán exponerse a un calor excesivo como, por ejemplo, el que producen los rayos del sol, el fuego y similares.
- 20 **VOLTAGE SELECTOR**
(Solo para modelos de Asia y Generales)
El selector VOLTAGE SELECTOR del panel posterior de este aparato deberá ponerse en la posición correspondiente a la tensión empleada en su localidad ANTES de conectar el aparato a la red de alimentación de CA. Las tensiones son:
..... CA 110/120/220/230–240 V, 50/60 Hz

Precauciones para el desplazamiento del aparato

- Cuando desplace este aparato, primero saque todos los discos de la bandeja de discos y cierre la bandeja pulsando el botón OPEN/CLOSE, después desconecte la alimentación tras confirmar que el visualizador del panel frontal indica lo siguiente:

NO DISC

No apagar el interruptor principal si la exhibición no se enciende de la manera anterior, de lo contrario este aparato se podría dañar al moverlo porque el mecanismo interior no está bloqueado.

Aunque usted apague esta unidad con ϕ , esta unidad no se desconectará de la fuente de alimentación de CA mientras esté conectada a la toma de CA.

ADVERTENCIA

PARA REDUCIR EL RIESGO DE INCENDIO O DESCARGA ELÉCTRICA, NO EXPONGA ESTE APARATO A LA LLUVIA NI A LA HUMEDAD.

SEGURIDAD CONTRA LA RADIACIÓN LÁSER

Este aparato utiliza rayos láser. Debido a la posibilidad de que se produzcan daños en los ojos, la extracción de la cubierta del aparato o las reparaciones solamente deberán ser realizadas por un técnico cualificado.

PELIGRO

Este aparato emite radiación láser visible cuando se abre. Evite la exposición directa a los rayos láser. Cuando se conecte este aparato a una toma de corriente no acerque sus ojos a la abertura de la bandeja del disco ni a otras aberturas para mirar al interior.

El componente láser de este producto es capaz de emitir radiación que sobrepasa el límite establecido para la clase 1.

CONTENIDO

INTRODUCCIÓN

CONTROLES Y FUNCIONES.....	2
Panel delantero.....	2
Conexiones del panel posterior.....	4
Control remoto.....	5

FUNCIONAMIENTO

CARGA Y REPRODUCCIÓN DE DISCOS	8
Programación de reproducción Audio CD	8
PLAYXCHANGE.....	8
REPRODUCIR UN iPod/DISPOSITIVO USB ...	9
Conectar un iPod/dispositivos USB.....	9
Reproducir el iPod.....	9
Reproducir dispositivos USB.....	9
Desconectar un iPod/dispositivos USB.....	10
Dispositivos iPod/USB compatibles.....	10

INFORMACIÓN ADICIONAL

FORMATO DE ARCHIVOS Y DISCOS	
REPRODUCIBLES.....	11
UTILIZAR LA CONFIGURACIÓN	
AVANZADA	13
SOLUCIÓN DE PROBLEMAS.....	14
ESPECIFICACIONES.....	15

■ Características


- Cargador de carrusel para 5 discos
- Bandeja de apertura total para cambiar 5 discos simultáneamente
- PLAYXCHANGE; capacidad de cambiar un disco mientras se reproduce otro
- Salida digital óptica
- Reproducción de discos CD-R, CD-RW (Para obtener más información, consulte la página 11).
- Reproducción de MP3, WMA
- Reproducción de MP3 y WMA almacenados en un dispositivo USB (Para obtener más información, consulte la página 11).
- Reproducción de iPod
- Reproducción programada (sólo Audio CD)
- Reproducción de secuencia aleatoria (excepto iPod)
- Repetición de la reproducción de una pista/archivo individual o del disco/carpeta/dispositivo completo
- Repetición de la reproducción A-B (sólo Audio CD)
- Información y brillo de pantalla ajustables
- Función PURE DIRECT

■ Accesorios incluidos

Compruebe que ha recibido los componentes siguientes.

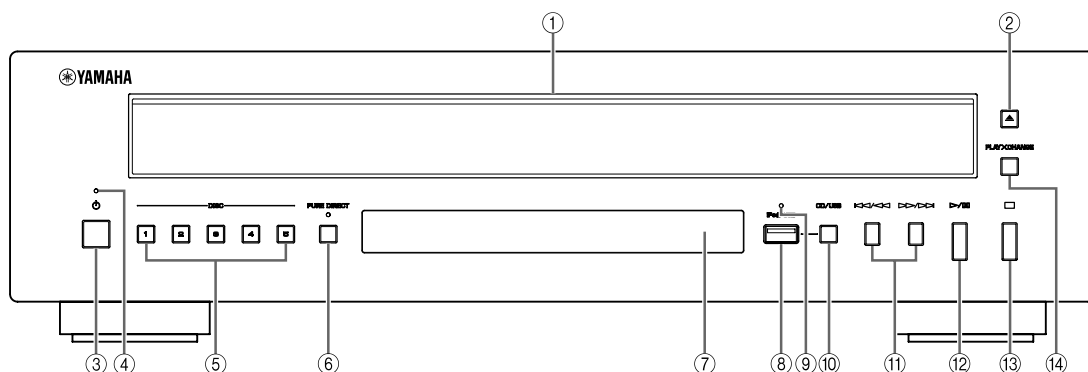
- Cable de alimentación
- Control remoto
- Pilas (AA, R6, UM-3) (×2)
- Cable RCA estéreo

■ Acerca de este manual

-  indica una sugerencia de uso.
- En este manual, los discos de audio se denominan “Audio CD”, los discos MP3/WMA se denominan “Data Disc”, y los archivos MP3/WMA almacenados en el dispositivo USB se denominan “USB”.
- El **Audio CD**, **Data Disc** y **USB** indican los formatos de datos de música que se pueden utilizar.
- Este manual se imprime antes de la producción. Tanto el diseño como las especificaciones están sujetos a cambios como consecuencia de mejoras, entre otros motivos. En el caso de que observe alguna diferencia entre el manual y el producto, éste último tiene prioridad.

CONTROLES Y FUNCIONES

Panel delantero



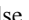
① Bandeja de discos

Carga un disco.

② (Apertura/Cierre)

Abre o cierra la bandeja de discos. Para cargar y descargar discos, consulte la página 8.

③ (Alimentación)

Pulse  hacia dentro hasta la posición ON para encender la alimentación.



- El indicador de alimentación se ilumina cuando se activa la unidad.
- Puede poner la unidad en estado de espera con el botón STANDBY/ON del control remoto.
- Esta unidad está equipada con función de espera automática. Al activar la función, la unidad pasa al modo de espera automáticamente si la reproducción de discos permanece detenida durante 30 minutos. Para más detalles, consulte la página 13.

④ Indicador de alimentación

Se ilumina de la siguiente manera:

ON: Iluminado
Modo de espera: Oscuro
OFF: Apagado

⑤ DISC (1-5)

Selecciona el disco deseado y comienza la reproducción.

⑥ PURE DIRECT

Activa o desactiva el modo PURE DIRECT para mejorar la calidad de audio.



- El indicador PURE DIRECT se ilumina.
- La salida digital se apaga.
- La pantalla del panel delantero se desactiva durante la reproducción y, durante el funcionamiento, sólo se muestran los mensajes e indicadores mínimos.

Nota

Cuando utilice el modo PURE DIRECT, conecte la unidad utilizando los terminales ANALOG OUT (consulte la página 4).

⑦ Sensor del control remoto

Recibe señales del control remoto.

⑧ Puerto iPod/USB

Conecte aquí su iPod o dispositivo USB. Consulte la página 9 para obtener más información.

⑨ Indicador iPod/USB

Apagado: El modo CD está seleccionado.

Naranja: Conexión preparada.

Verde: El iPod/USB está conectado y se han detectado los archivos reproducibles (la reproducción está preparada).



⑩ CD/USB



Cambia entre modo CD y modo iPod/USB. Consulte página 9.





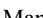
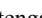

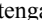
Cuando el indicador iPod/USB no está iluminado, la unidad está en modo CD.

⑪ / (Salto/Búsqueda hacia atrás), / (Salto/Búsqueda hacia adelante)

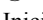

 / : Salta a la siguiente pista.

 / : Salta al principio de la pista actual.

 /  (dos veces): Salta a la pista anterior.

Mantenga pulsado  /  o  /  para buscar hacia atrás o hacia adelante.

⑫ (Reproducción) / (Pausa)

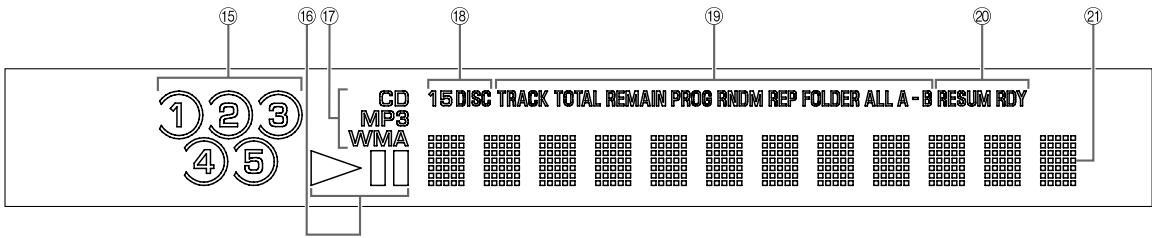
Inicia o detiene la reproducción. Vuelva a pulsar  /  para reanudar la reproducción.

⑬ (Parada)

Detiene la reproducción.

⑭ PLAYXCHANGE

Abre la bandeja de discos durante la reproducción sin interrumpirla. Consulte la página 8 para obtener más información.



15 Indicador de selección de disco

Los números de las bandejas con discos se iluminan. El número enmarcado indica el disco seleccionado en ese momento.

Nota

El número correspondiente a una bandeja vacía podría iluminarse antes de que la bandeja se seleccione. Cuando la bandeja de discos se cierra tras cargar/sustituir discos, la unidad busca discos empezando por la bandeja 1. Durante la búsqueda, los números de bandeja correspondientes a las bandejas vacías se apagan. Cuando se selecciona un disco, la búsqueda se finaliza en ese punto y no se busca el resto de bandejas.

16 Indicador del estado de la reproducción

Se ilumina cuando la unidad está en el modo pausa o reproducción.

17 Indicador del tipo de fuente

Indica el tipo de contenido que se reproduce.

18 Indicador del modo de reproducción

Indica el modo de reproducción del disco seleccionado (1DISC o 5DISC). Consulte "MODE" (página 5) para obtener más detalles.

19 Indicador del modo de reproducción y tiempo

Indica el modo de reproducción actual y el estado de la visualización del tiempo (consulte páginas 5 y 8 para conocer los modos de reproducción y página 6 para ver la visualización del tiempo).

20 Indicador de configuración avanzada

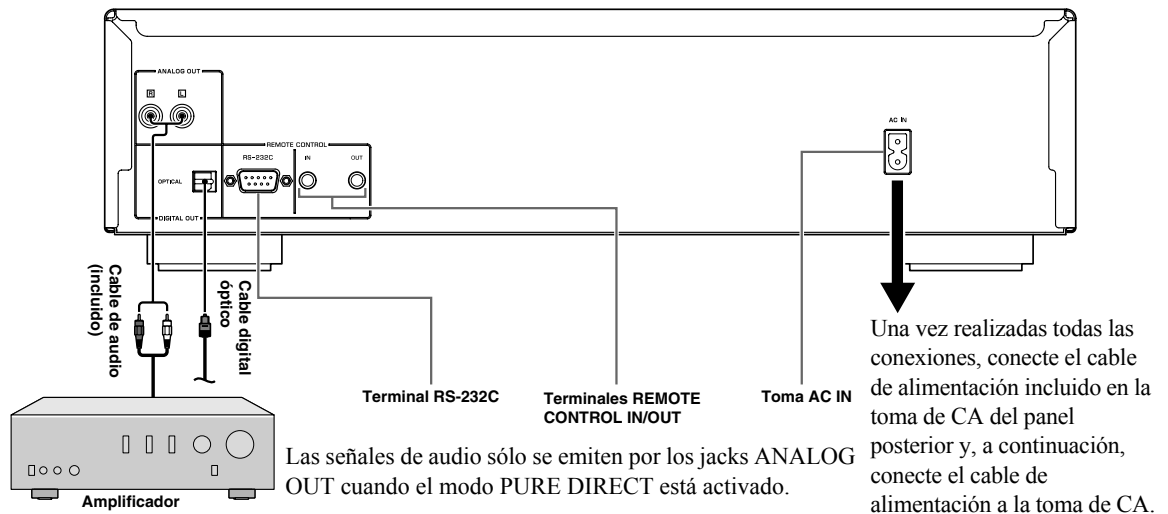
Indica los modos especiales activos. Consulte "UTILIZAR LA CONFIGURACIÓN AVANZADA" (página 13) para obtener más detalles.

21 Pantalla multiinformación

Conexiones del panel posterior

PRECAUCIÓN

Antes de realizar las conexiones, apague la unidad, el amplificador y cualquier otro componente.



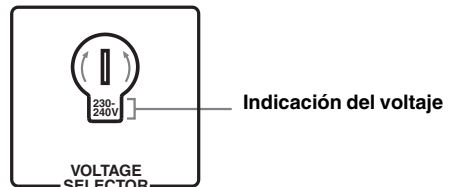
■ VOLTAGE SELECTOR (Solo para modelos de Asia y generales)

La opciones de voltaje son las siguientes:
CA de 110/120/220/230-240 V, 50/60 Hz

PRECAUCIÓN

El selector VOLTAGE SELECTOR situado en el panel posterior de la unidad debe ajustarse al voltaje local ANTES de conectar el cable de alimentación a la toma de CA. Un ajuste incorrecto del selector VOLTAGE SELECTOR podría causar daños en la unidad y provocar riesgo de incendio.

Gire el VOLTAGE SELECTOR en sentido horario o antihorario hasta la posición correcta utilizando destornillador de punta plana.



Para la instalación personalizada

■ Terminales REMOTE CONTROL IN/OUT

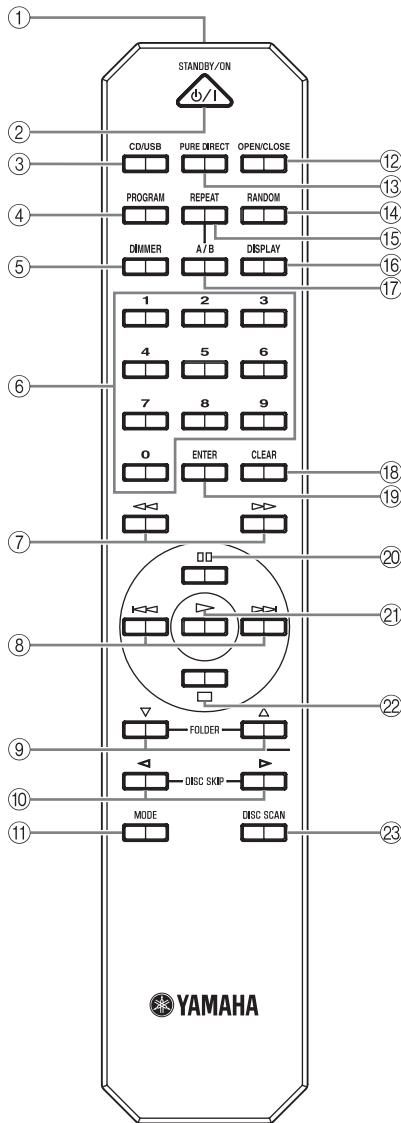
Estos terminales se utilizan para el sistema de instalación personalizada. Cuando la unidad se conecta a los componentes para el sistema de instalación personalizada, puede manejar la unidad con el control remoto de sistema. Conecte el terminal **REMOTE CONTROL IN** de esta unidad al terminal de salida del controlador central para el sistema de instalación personalizada.

Al conectar el terminal **REMOTE CONTROL OUT** de esta unidad al terminal de entrada del para el control remoto del otro componente, también podrá manejar con él el control remoto del sistema. De esta forma, puede conectar en serie hasta 6 componentes.

■ Terminal RS-232C

Esta unidad también está equipada con un terminal RS-232C. Para más información, consulte a su distribuidor.

Control remoto



① **Transmisor de infrarrojos**

Envía señales infrarrojas a la unidad.

② **STANDBY/ON**

Enciende la unidad o la pone en modo de espera mientras se pulsa hacia dentro ϕ (Alimentación) hasta la posición ON.

Nota

Sólo es posible manejar esta unidad si el botón ϕ (Alimentación) del panel frontal está presionado hacia dentro hasta la posición ON.

③ **CD/USB**

Cambia entre el modo CD y el modo iPod/USB (consulte la página 9).



Este ajuste se conserva, aunque apague la unidad.

④ **PROGRAM**

Activa o desactiva el modo de programación de reproducción. Consulte “Programación de reproducción” en la página 8.

⑤ **DIMMER**

Cada vez que pulse DIMMER, el brillo cambiará en 4 niveles.



Este ajuste se conserva, aunque apague la unidad.

⑥ **Teclas numéricas**

Utilícelas para seleccionar directamente una pista del disco o un archivo de la carpeta actual.

⑦ **◀◀ (Búsqueda hacia atrás), ▶▶ (Búsqueda hacia adelante)**

Busca pistas hacia atrás/adelante mientras el botón está pulsado.

⑧ **◀◀ (Salto hacia atrás), ▶▶ (Salto hacia adelante)**

▶▶: Salta a la pista siguiente.

◀◀: Salta al principio de la pista actual.

◀◀ (dos veces): Salta a la pista anterior.

⑨ **FOLDER ▽ (Carpeta inferior), △ (Carpeta superior)**

Data Disc **USB**

▽: Salta a la carpeta anterior.

△: Salta a la carpeta siguiente.

Consulte la página 9 para obtener más detalles.

⑩ **DISC SKIP ◀ (Disco anterior), ▶ (Disco siguiente)**

Salta al disco anterior/siguiente.

⑪ **MODE**

Cambia el modo de reproducción entre el modo 1DISC y el modo 5DISC.

En el modo 1DISC, sólo se reproduce el disco seleccionado.

En el modo 5DISC, todos los discos de la bandeja se reproducen secuencialmente.

⑫ **OPEN/CLOSE**

Abre o cierra la bandeja de discos. Puede cargar o sustituir cinco discos simultáneamente. Consulte la página 8 para obtener más información.

⑬ **PURE DIRECT**

Activa o desactiva el modo PURE DIRECT para mejorar la calidad de audio. Consulte la página 2 para obtener más información.



Este ajuste se conserva, aunque apague la unidad.

⑭ **RANDOM**

Activa o desactiva el modo de reproducción aleatoria.

Nota

El modo de reproducción aleatoria se cancela cuando se expulsa el disco.

15 REPEAT

Repite la reproducción de una sola pista o de todas las pistas. Cada vez que pulse REPEAT durante la reproducción, el modo reproducción con repetición cambiará de la siguiente manera:

- REP TRACK (reproducción con repetición única): Se reproduce repetidamente una pista individual.
- REP ALL (reproducción con repetición completa): Se reproducen repetidamente todas las pistas (el disco completo).

Data Disc **USB**

- REP FOLDER (reproducción de la carpeta con repetición): Se reproducen repetidamente todos los archivos (la carpeta completa).

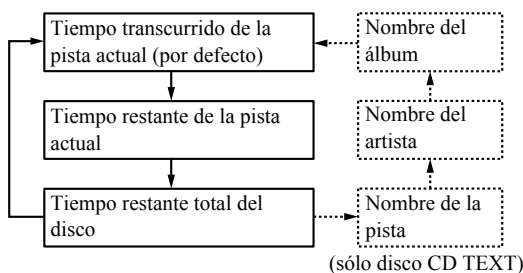


La reproducción con repetición también funciona con la reproducción programada y con la reproducción aleatoria.

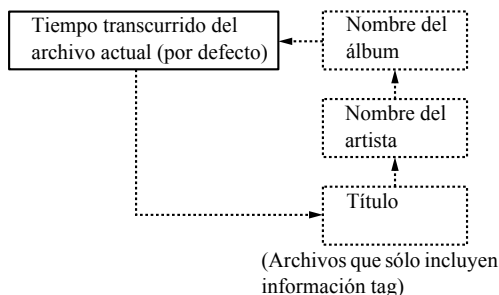
16 DISPLAY

Cambia la visualización del tiempo. Cada vez que pulse DISPLAY durante la reproducción, la visualización del tiempo cambiará de la siguiente manera:

Audio CD



Data Disc **USB**



17 A/B **Audio CD**

Reproducción con repetición de la sección específica de una pista. Para definir los puntos de inicio y final (A y B), pulse A/B dos veces durante la reproducción.

Para cancelar la repetición A/B, vuelva a pulsar A/B.

Notas

- No puede definir la repetición A/B de una pista a otra.
- No puede definir la repetición A/B para Data Disc y USB.
- Si detiene la repetición pulsando (Parada), se cancelará la repetición A-B.
- No podrá utilizar la repetición A-B cuando la unidad esté en el modo PURE DIRECT.

18 CLEAR

Borra la pista programada.

19 ENTER

Confirma un número de pista introducido durante la programación de pistas.

20 (Pausa)

Hace una pausa en la reproducción. Pulse o para reanudar la reproducción.

21 (Reproducción)

Inicia la reproducción.

22 (Parada)

Detiene la reproducción.

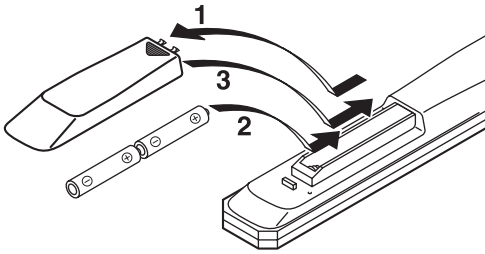
23 DISC SCAN

Examina los discos cargados y reproduce una sección de 10 segundos de cada disco, permitiendo así buscar el disco deseado. Para cancelar el examen y cambiar a la reproducción normal, vuelva a pulsar DISC SCAN o pulse (Reproducción).

Notas

- Al examinar, el número de bandeja que se está reproduciendo parpadea en la pantalla. El número deja de parpadear y se ilumina cuando la reproducción del disco finaliza.
- Si el disco que se está reproduciendo tiene un gran vacío entre pistas, no oirá ningún sonido durante el examen.

■ **Instalar las pilas en el control remoto**



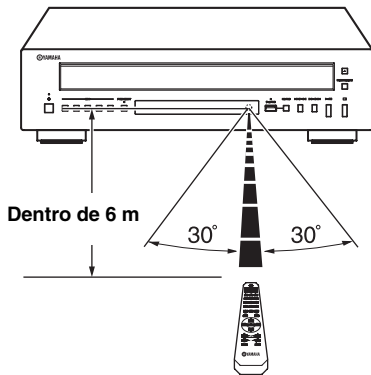
1 Presione el extremo que muestra la señal ▼ y deslice la cubierta del compartimento de las pilas.

2 Introduzca las dos baterías suministradas (AA, R6, UM-3) según las marcas de polaridad (+ y -) del interior del compartimento.

3 Vuelva a deslizar la cubierta en sentido contrario hasta que encaje en su lugar.

■ **Uso del control remoto**

El control remoto transmite un haz infrarrojo direccional. Cuando utilice el control remoto, asegúrese de dirigirlo hacia el sensor del control remoto ubicado en el panel delantero de la unidad.



■ **Notas acerca de las pilas**

- Cambie todas las pilas si nota que el margen de control del mando a distancia se reduce.
- Use pilas AA, R6, UM-3.
- Asegúrese de que las polaridades estén bien puestas. Vea la ilustración del interior del compartimento de las pilas.
- Quite las pilas si no va a usar el mando a distancia durante mucho tiempo.
- No utilice pilas viejas y nuevas juntas.
- No utilice juntas pilas de tipos diferentes (alcalinas y de manganeso, por ejemplo). Lea las indicaciones de las pilas con atención porque hay tipos diferentes que pueden tener la misma forma y color.
- Si las pilas tienen fugas, tírelas inmediatamente. Evite tocar el material que sale de las pilas o dejar que éste entre en contacto con ropas, etc. Limpie a fondo el compartimento de las pilas antes de instalar otras nuevas.
- No tire las pilas con la basura de casa; disponga correctamente de ellas según los reglamentos de su localidad.

■ **Manejo del mando a distancia**

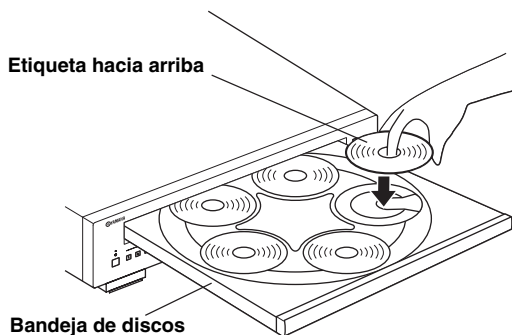
- En el área entre el mando a distancia y esta unidad no deberá haber obstáculos.
- No derrame agua u otros líquidos en el mando a distancia.
- No deje caer el mando a distancia.
- No deje ni guarde el mando a distancia en las condiciones siguientes:
 - lugares de humedad alta como, por ejemplo, cerca de un baño
 - lugares de alta temperatura como, por ejemplo, cerca de una calefacción o estufa
 - lugares con temperaturas demasiado bajas
 - lugares polvorientos
- No exponga el sensor del mando a distancia a una luz intensa, y en particular a una lámpara fluorescente tipo inversor, o el mando a distancia no funcionará bien. Si es necesario, aleje esta unidad de la luz directa.

CARGA Y REPRODUCCIÓN DE DISCOS

Puede cargar o sustituir cinco discos simultáneamente.

1 Pulse OPEN/CLOSE para abrir la bandeja de discos y cargar discos.

Utilice las guías para alinear los discos correctamente en la bandeja.



Nota

Para reproducir un CD de 8 cm, colóquelo en la cavidad interior de la bandeja de discos. No coloque un CD normal (12 cm) encima de un CD de 8 cm.

2 Pulse OPEN/CLOSE para cerrar la bandeja de discos.

3 Pulse MODE para seleccionar el modo de reproducción de discos deseado (1DISC o 5DISC) y confírmelo en la pantalla.

1DISC: Sólo se reproduce el disco seleccionado.
5DISC: Se reproducen secuencialmente todos los discos de la bandeja.

4 Pulse ▷ (Reproducción) para iniciar la reproducción desde la primera pista o archivo del disco 1.

5 (Dado el caso) seleccione el disco deseado utilizando DISC SKIP ◀ / ▶ o uno de los botones DISC (1-5) del panel frontal.

Programación de reproducción

Audio CD

En el modo de programación de la reproducción, puede reproducir pistas en una secuencia programada.

Notas

- Puede programar y reproducir pistas en cualquier orden desde todos los discos cargados (1-5).
- Las pistas programadas se borran cuando el disco se extrae, la unidad se apaga o la unidad pasa a modo de espera.

1 Pulse PROGRAM cuando la reproducción esté detenida.

La unidad entra en el modo de edición de la programación.

2 Seleccione un disco con uno de los botones DISC (1-5) del panel frontal o DISC SKIP ◀ / ▶ del control remoto.

3 Seleccione una pista utilizando las teclas numéricas y ENTER.

4 Repita los pasos 2 y 3 para programar la siguiente pista.

Puede programar hasta 24 pistas.



Para cancelar las pistas programadas, pulse CLEAR.

5 Pulse ▷.

La reproducción empieza desde el inicio de la secuencia programada.



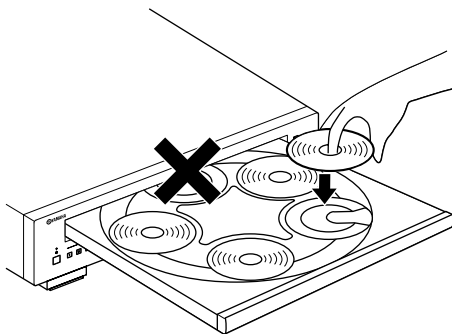
Para borrar todas las pistas programadas, pulse CLEAR cuando la reproducción esté detenida.

PLAYXCHANGE

PLAYXCHANGE es una función que permite sustituir discos durante la reproducción sin tener que interrumpirla. Pulse el botón PLAYXCHANGE del panel frontal para abrir la bandeja y sustituir discos.

PRECAUCIÓN

Nunca intente cargar un disco en la posición marcada con x en la siguiente figura. De hacerlo, podría dañar la unidad y el disco, ya que ahí es donde está situado el disco que se está reproduciendo.



Nota

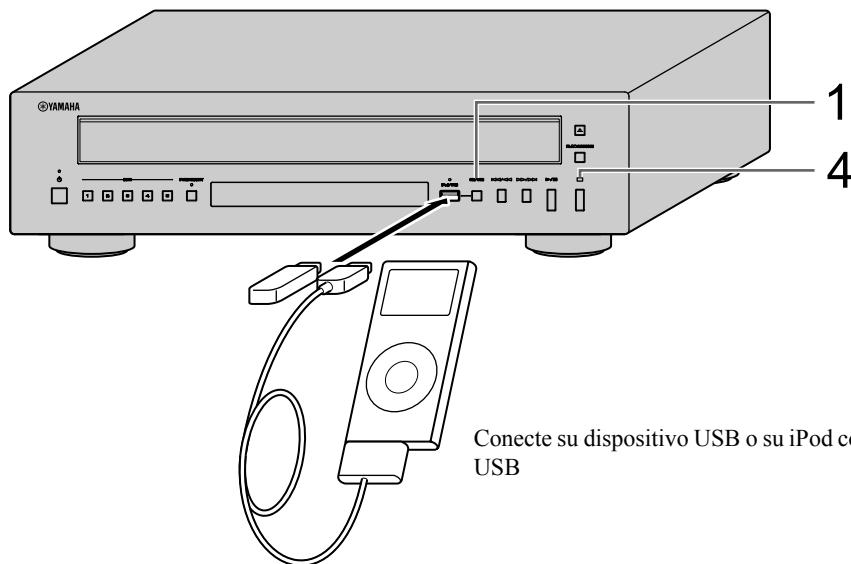
Los botones DISC SKIP no funcionan mientras la bandeja de discos está abierta.

REPRODUCIR UN iPod/DISPOSITIVO USB

Conectar un iPod/dispositivos USB

Notas iPod

- Utilice el cable USB suministrado con su iPod. Si no se entrega ningún cable USB, adquiera uno en Apple Inc.
- Desactive el iPod.
- No utilice un concentrador USB.



Reproducir el iPod

1 Pulse CD/USB para seleccionar el modo iPod/USB.

El indicador iPod/USB del panel delantero se ilumina de color naranja, y luego cambia a verde cuando la reproducción está a punto.

2 Inicie la reproducción.

Utilice el iPod para iniciar la reproducción, seleccionar una pista, hacer una pausa y detener la reproducción.



También puede utilizar los siguientes botones: ▷ (Reproducción), ⏏ (Pausa), ◻ (Parada), ◀◀ (Saltar hacia atrás), ▶▶ (Saltar hacia adelante), ◀◀ (Buscar hacia atrás) y ▶▶ (Buscar hacia adelante) en esta unidad o en el control remoto.

Nota

El iPod podría no funcionar correctamente con esta unidad si el software del iPod no está actualizado. Utilice siempre la versión más reciente del software del iPod.

Reproducir dispositivos USB

1 Pulse CD/USB para seleccionar el modo iPod/USB.

Se ilumina el indicador iPod/USB del panel delantero.

2 Inicie la reproducción.

El nombre del archivo se muestra en la pantalla del panel delantero y la reproducción se inicia automáticamente según la fecha y hora de creación si hay archivos reproducibles en el dispositivo USB.

3 Seleccione una pista.

Pulse FOLDER ▽/△ en el control remoto para seleccionar una carpeta, y luego pulse ◀◀▶▶ o las teclas numéricas para seleccionar una pista.

4 Detenga la reproducción.

Pulse ◻ (Parada).

Consulte la página 11 para obtener más información acerca de la reproducción de MP3/WMA.

Desconectar un iPod/dispositivos USB

Detenga la reproducción y desconecte el iPod o el dispositivo USB. Es recomendable que pulse CD/USB para cambiar al modo CD, que confirme que el indicador CD/USB se apaga y que luego desconecte el iPod/dispositivo USB.

PRECAUCIÓN

No desconecte el iPod o dispositivo USB mientras está reproduciendo desde el dispositivo conectado, ni mientras “USB READING” aparece en la pantalla del panel frontal.

Dispositivos iPod/USB compatibles

■ Modelos de iPod compatibles

- iPod classic (incluyendo el modelo de 120 GB)
 - iPod nano (2ª, 3ª y 4ª generaciones)
 - iPod touch (1ª y 2ª generaciones)
- (en abril de 2009)

Notas

- La licencia de uso del iPod se otorga con la condición de que los usuarios realicen duplicaciones y reproducciones privadas de material exento de copyright o de material aprobado legalmente para su duplicación y reproducción. La infracción del copyright está prohibida por ley.
- Yamaha y sus proveedores rechazan cualquier responsabilidad por la pérdida de datos guardados en el iPod conectado a la unidad. Como precaución, se recomienda realizar copias de seguridad de los archivos.

■ Dispositivos USB compatibles

Esta unidad es compatible con dispositivos USB de almacenamiento masivo (por ejemplo, memorias flash, lectores de tarjetas o reproductores de audio portátiles) que utilizan el formato FAT16 o FAT32.

Notas

- Algunos dispositivos podrían no funcionar adecuadamente, aunque cumplan los requisitos.
- Esta unidad no admite dispositivos de memoria USB codificados.
- No conecte dispositivos distintos a los USB de almacenamiento masivo: cargadores USB, concentradores USB, PCs, unidades de disco duro externas, etc.
- Si introduce dos o más tarjetas de memoria al mismo tiempo en el lector de tarjetas conectado al puerto iPod/USB de esta unidad, solo se detectará una de ellas.
- Yamaha y sus proveedores rechazan cualquier responsabilidad por la pérdida de datos guardados en los dispositivos USB conectados a la unidad. Como precaución, se recomienda realizar copias de seguridad de los archivos.
- La reproducción y el suministro de energía con todo tipo de dispositivo USB no están garantizados.

FORMATO DE ARCHIVOS Y DISCOS REPRODUCIBLES

■ Archivos WMA y MP3 reproducibles (dispositivo USB y Data Disc)

MP3

Formato	Velocidad de bits (kbps)	Frecuencia de muestreo (kHz)
MPEG 1 Audio Layer-3	32-320 *	32/44,1/48
MPEG 2 Audio Layer-3, 2	8-160 *	16/22,05/24
MPEG-2.5 Audio Layer-2	8-160 *	8/11,025/12

* También se admite velocidad de bits variable.

WMA

- Versión 8
- Versión 9 (Admite velocidad de bits variable y estándar, pero no Professional o Lossless).

Perfil	Velocidad de bits (kbps)	Frecuencia de muestreo (kHz)
High Profile	32-320 *	32/44,1/48
Mid Profile	16-32	16/22,05

* También se admite velocidad de bits variable.

Notas

- La reproducción de Data Disc se inicia en orden alfanumérico.
- La reproducción para USB se inicia según la fecha y la hora de creación.
- Los archivos WMA (DRM) protegidos por copyright no pueden reproducirse en esta unidad.
- El disco debe ser compatible con ISO 9660.
- Puede que el tiempo transcurrido no se muestre correctamente durante la reproducción de contenido con velocidad de bits variable.

	Data Disc	USB
Número máximo de archivos	999	32767
Número máximo de carpetas	256	256
Número máximo de archivos por carpeta	512	512

■ Discos reproducibles

Utilice discos compatibles con las marcas siguientes.



.... Discos compactos (audio digital)



.... Discos de audio digital CD-R, CD-RW



- Discos CD-R o CD-RW con una de las siguientes frases.
FOR CONSUMER (para consumo doméstico)
FOR CONSUMER USE (para uso doméstico)
FOR MUSIC USE ONLY (sólo para uso musical)
- Discos CD-R o CD-RW finalizados.



Nota

Puede que este reproductor de disco compacto no pueda reproducir algunos discos CD-R/CD-RW o discos en los que la grabación no se realizó correctamente.



.... Discos CD-TEXT

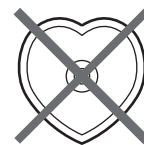
- Además de la visualización del tiempo, el título del disco, el nombre del artista y el nombre de la pista también se muestran durante la reproducción de un CD con CD TEXT.

Para reproducir un CD de 8-cm

Colóquelo en la cavidad interior de la bandeja del disco. No coloque un CD normal (12-cm) sobre un CD de 8-cm.

Para evitar un mal funcionamiento de la unidad:

- No utilice discos con formas especiales (corazón, etc.) disponibles en el mercado, dado que podrían dañar la unidad.
- No utilice discos que tengan adheridas etiquetas o pegatinas. Si utiliza este tipo de discos, podrían atascarse en la unidad o dañarla.

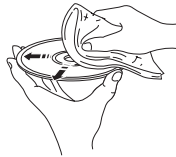


■ Manipular los discos compactos

- Manipule siempre los discos con cuidado de no rayar la superficie de reproducción. No flexione los discos.



- Para mantener la superficie de reproducción limpia, pásele un trapo seco y limpio. No utilice ningún tipo de producto de limpieza para discos, spray o cualquier otro líquido químico.
- No limpie el disco con movimientos circulares, sino desde el centro hacia afuera.



- Utilice un marcador de punta blanda cuando escriba en el lado de la etiqueta del disco.
- Cuando no utilice un disco, retírelo de la unidad y guárdelo en una funda adecuada.
- No exponga los discos a la luz directa del sol, a altas temperaturas o a humedad elevada durante mucho tiempo.

UTILIZAR LA CONFIGURACIÓN AVANZADA

Esta unidad está equipada con los cuatro modos siguientes, que pueden ser útiles para fines específicos en tiendas u oficinas.

Nota

Las funciones del modo especial son incompatibles con el iPod.

Memoria del modo de reproducción

Conserva el modo de reproducción actual (REPEAT y RANDOM) después de desactivar la unidad, guardando el tiempo transcurrido del modo de reproducción para la siguiente vez que active la unidad.

El número de pista también se retiene, por lo que la reproducción comenzará automáticamente con la misma pista cuando se vuelva a encender la alimentación.

El indicador RESUM en la pantalla del panel delantero se ilumina cuando está activado.

Modo Ready

Hace una pausa en la reproducción después de cada pista, permitiendo empezar la siguiente pista en la temporización deseada.

El indicador RDY en la pantalla del panel delantero se ilumina cuando está activo.

RS-232C ON/OFF

Activa o desactiva el terminal RS-232C del panel posterior.

Actívelo cuando utilice la función RS-232C.

Este modo está desactivado de fábrica.

Modo de espera automática

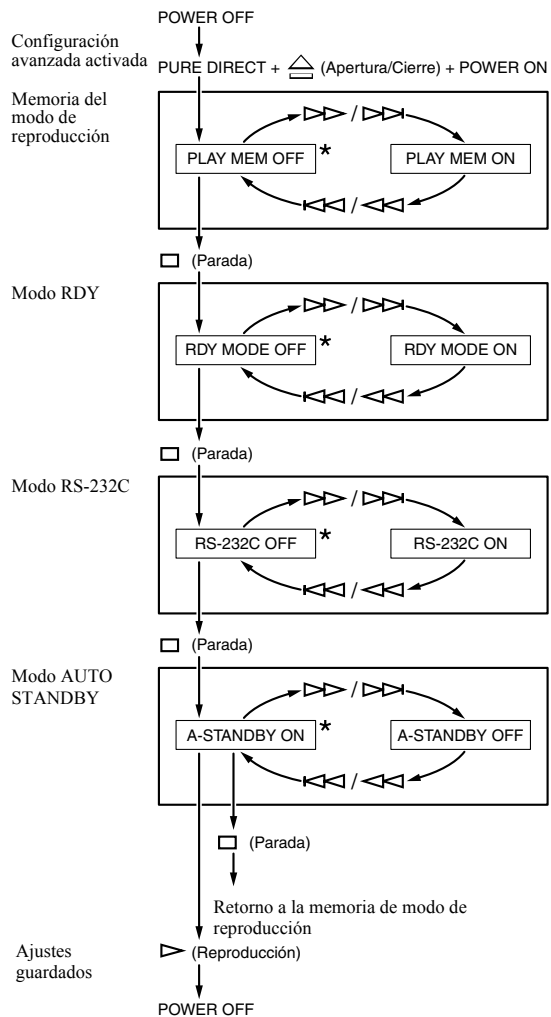
Cuando esta función está activada, la unidad pasa automáticamente al modo de espera si se mantiene una de las siguientes condiciones durante más de 30 minutos:

- 1) La reproducción de CD está parada en el modo CD (incluyendo si no hay ningún disco cargado, o el disco no es compatible).
- 2) La reproducción de CD está en posición de pausa.
- 3) El modo iPod/USB está activado y no hay ningún dispositivo USB conectado.
- 4) El modo iPod/USB está activado y hay conectado un dispositivo USB no compatible (el indicador iPod/USB permanece encendido en naranja).

Nota

Esta unidad no pasa automáticamente al modo de espera si hay conectado un iPod o un dispositivo USB (indicador iPod/USB iluminado en verde).

Para activar y configurar la configuración avanzada, siga los siguientes pasos. Utilice los botones del panel frontal.



*: Ajuste por defecto

La próxima vez que active la unidad, se activará con los ajustes especificados anteriormente.

SOLUCIÓN DE PROBLEMAS

Si la unidad no funciona normalmente, realice las siguientes comprobaciones para determinar si el problema se puede corregir con los procedimientos sugeridos. Si el problema no se puede corregir o si no figura en la columna Problemas, desconecte el cable de alimentación y póngase en contacto con un distribuidor o un centro de servicios autorizado de Yamaha para solicitar asistencia.

Problemas	Causas posibles	Soluciones	Consulte la página
La unidad no se enciende.	El cable de alimentación no está conectado a la conexión AC IN del panel trasero o no está enchufado a la toma de corriente.	Conecte el cable de alimentación firmemente.	4
Esta unidad se apaga inesperadamente.	El modo en espera automático está activado.	Desactive el modo en espera automático.	13
La bandeja del disco no se cierra completamente.	Hay algún objeto extraño que obstruye la bandeja.	Examine cuidadosamente la bandeja y extraiga el objeto extraño.	—
La reproducción del disco no comienza o el número de disco no se ilumina en la pantalla.	El disco está dañado.	Examine el disco cuidadosamente y sustitúyalo si es necesario.	—
	Se ha condensado humedad en el lector láser.	Espere de 20 a 30 minutos después de activar esta unidad, antes de intentar reproducir un disco.	—
	El disco se ha colocado al revés.	Vuelva a colocar el disco con la etiqueta hacia arriba.	—
	El disco está sucio.	Limpie el disco.	13
	El formato del archivo MP3 o WMA no es compatible con esta unidad.	Sustituya el disco por un disco correctamente grabado y que se pueda reproducir en esta unidad.	13
	El disco CD-RW (regrabable) no se ha grabado correctamente.	Sustituya el disco por un disco correctamente grabado y que se pueda reproducir en esta unidad.	13
	El disco utilizado no es un disco estándar que se pueda reproducir en esta unidad.	Sustituya el disco por un disco correctamente grabado y que se pueda reproducir en esta unidad.	13
	Esta unidad está en el modo iPod/USB.	Cambie al modo de disco pulsando CD/USB.	2
La reproducción del iPod no se inicia aunque está conectado.	El iPod conectado no es compatible con esta unidad.	Conecte un iPod compatible con esta unidad. Los iPod compatibles son los siguientes: <ul style="list-style-type: none"> • iPod classic (incluyendo el modelo de 120GB) • iPod nano (2ª, 3ª y 4ª generación) • iPod touch (1ª y 2ª generación) (en abril de 2009) 	10
	La unidad está en modo de disco.	Cambie al modo iPod/USB pulsando CD/USB.	9
La reproducción USB no comienza.	Las conexiones del dispositivo USB no son correctas.	Vuelva a conectar el iPod/dispositivo USB.	9
	El formato del archivo MP3 o WMA no es compatible con esta unidad.	Sustituya el archivo por otro correctamente grabado y que se pueda reproducir en esta unidad.	11
	La unidad está en modo de disco.	Cambie al modo iPod/USB pulsando CD/USB.	9
La reproducción tarda en empezar o empieza en el lugar equivocado.	El disco puede estar rayado o dañado.	Examine el disco cuidadosamente y sustitúyalo si es necesario.	11
No se oye sonido.	Las conexiones de los cables de salida son incorrectas.	Conecte los cables correctamente. Si el problema continúa, es posible que los cables estén defectuosos.	4
	El amplificador no funciona correctamente.	Coloque los controles del amplificador en la posición de entrada correcta.	—
El componente conectado a las tomas DIGITAL OUT no reproduce sonido.	El modo PURE DIRECT está activado.	Desactive el modo PURE DIRECT. O bien, realice una conexión analógica.	2

Problemas	Causas posibles	Soluciones	Consulte la página
Se producen “saltos” en el sonido.	La unidad está expuesta a vibraciones o impactos.	Coloque la unidad en otro lugar.	—
	El disco está sucio.	Limpie el disco.	11
El sonido emite un “zumbido”.	Las conexiones de los cables no son correctas.	Conecte firmemente los cables de audio. Si el problema continúa, es posible que los cables estén defectuosos.	4
Se oyen interferencias de un sintonizador cercano.	El sintonizador está demasiado cerca de la unidad.	Separe aún más el sintonizador y la unidad o apague la unidad.	—
Se oye un ruido procedente del interior de la bandeja del disco.	Es posible que el disco esté curvado.	Sustituya el disco.	—
El control remoto no funciona o funciona incorrectamente.	La distancia o el ángulo son incorrectos.	El control remoto funciona en una distancia máxima de 6 m y a no más de 30 grados fuera del eje del panel delantero.	5
	La exposición directa a la luz solar o a una fuente de luz (un tubo fluorescente de tipo invertidor, etc.) puede estar dañando el sensor del control remoto de la unidad.	Coloque la unidad en otro lugar.	—
	Las pilas se están acabando.	Sustituya las pilas.	5

ESPECIFICACIONES

Sección de audio

- Respuesta de frecuencia..... 2 Hz - 20 kHz, $\pm 0,5$ dB
- Distorsión armónica + ruido (1 kHz)..... 0,003 % o inferior
- Relación S/N..... 105 dB o más
- Intervalo dinámico..... 96 dB o más
- Voltaje de salida (1 kHz, 0 dB)..... $2,0 \pm 0,3$ V

Propiedades del diodo láser

- Material..... GaAlAs
- Longitud de onda..... 790 nm
- Salida del láser..... máx. $1,23 \mu\text{W}^*$

* Esta salida es el valor obtenido en una distancia de unos 200 mm desde la superficie de la lente del objetivo en el bloque de captura óptica.

iPod™

“iPod” es una marca comercial de Apple Inc., registrada en los EE. UU. y otros países.

“Made for iPod” significa que un accesorio electrónico se ha diseñado para conectarse específicamente a un iPod y el fabricante ha certificado que cumple con los estándares de rendimiento de Apple.

Apple no es responsable del funcionamiento de este dispositivo o de su cumplimiento con las normas reguladoras y de seguridad.

General

- Requisitos de potencia
 - Modelos para los EE. UU. y Canadá CA de 120 V, 60 Hz
 - Modelo para Australia..... CA de 240 V, 50 Hz
 - Modo para Europa..... 230 V CA, 50 Hz
 - Modelos generales y para Asia CA de 110-120/220-240 V, 50/60 Hz
- Temperatura de funcionamiento +5 °C a +35 °C (+41 °F a +95 °F)
- Consumo eléctrico..... 16 W
- Consumo eléctrico en espera..... Menos de 0,5 W
- Dimensiones (anchura \times altura \times profundidad) 435 \times 116 \times 405 mm
- Peso 6,2 kg

Tenga en cuenta que todas las especificaciones están sujetas a cambio sin previo aviso.

LET OP: LEES HET VOLGENDE VOOR U DIT TOESTEL IN GEBRUIK NEEMT.

- 1 Om er zeker van te kunnen zijn dat u de optimale prestaties uit uw toestel haalt, dient u deze handleiding zorgvuldig door te lezen. Bewaar de handleiding op een veilige plek zodat u er later nog eens iets in kunt opzoeken.
- 2 Installeer dit geluidssysteem op een goed geventileerde, koele, droge en schone plek - uit de buurt van direct zonlicht, warmtebronnen, trillingen, stof, vocht, en/of kou. Houd ten behoeve van goede ventilatie de volgende minimumruimte open.
Boven: 2,5 cm
Achter: 2,5 cm
Zijkanten: 2,5 cm
- 3 Plaats dit toestel uit de buurt van andere elektrische apparatuur, motoren of transformatoren om storing gebrom te voorkomen.
- 4 Stel dit toestel niet bloot aan plotselinge temperatuurswisselingen van koud naar warm en plaats het toestel niet in een omgeving met een hoge vochtigheidsgraad (bijv. in een ruimte met een luchtbevochtiger) om te voorkomen dat zich binnenin het toestel condens vormt, wat zou kunnen leiden tot elektrische schokken, brand, schade aan dit toestel en/of persoonlijk letsel.
- 5 Vermijd plekken waar andere voorwerpen op het toestel kunnen vallen, of waar het toestel blootstaat aan druppelende of spattende vloeistoffen. Plaats de volgende dingen niet bovenop dit toestel:
 - Andere componenten, daar deze schade kunnen veroorzaken en/of de afwerking van dit toestel kunnen doen verkleuren.
 - Brandende voorwerpen (bijv. kaarsen), daar deze brand, schade aan dit toestel en/of persoonlijk letsel kunnen veroorzaken.
 - Voorwerpen met vloeistoffen, daar deze elektrische schokken voor de gebruiker en/of schade aan dit toestel kunnen veroorzaken wanneer de vloeistof daaruit in het toestel terecht komt.
- 6 Dek het toestel niet af met een krant, tafellaken, gordijn enz. zodat de koeling niet belemmerd wordt. Als de temperatuur binnenin het toestel te hoog wordt, kan dit leiden tot brand, schade aan het toestel en/of persoonlijk letsel.
- 7 Steek de stekker van dit toestel pas in het stopcontact als alle aansluitingen gemaakt zijn.
- 8 Gebruik het toestel niet wanneer het ondersteboven is geplaatst. Het kan hierdoor oververhit raken, wat kan leiden tot schade.
- 9 Gebruik geen overdreven kracht op de schakelaars, knoppen en/of snoeren.
- 10 Wanneer u de stekker uit het stopcontact haalt, moet u aan de stekker zelf trekken, niet aan het snoer.
- 11 Maak dit toestel niet schoon met chemische oplosmiddelen; dit kan de afwerking beschadigen. Gebruik alleen een schone, droge doek.
- 12 Gebruik alleen het op dit toestel aangegeven voltage. Gebruik van dit toestel bij een hoger voltage dan aangegeven is gevaarlijk en kan leiden tot brand, schade aan het toestel en/of persoonlijk letsel. Yamaha aanvaardt geen aansprakelijkheid voor enige schade veroorzaakt door gebruik van dit toestel met een ander voltage dan aangegeven staat.
- 13 Om schade door blikseminslag te voorkomen, dient u de stekker uit het stopcontact te halen wanneer het onweert.
- 14 Probeer niet zelf wijzigingen in dit toestel aan te brengen of het te repareren. Neem contact op met erkend Yamaha servicepersoneel wanneer u vermoedt dat het toestel reparatie behoeft. Probeer in geen geval de behuizing open te maken.
- 15 Wanneer u dit toestel voor langere tijd niet zult gebruiken (bijv. vakantie), dient u de stekker uit het stopcontact te halen.
- 16 Installeer dit toestel in de buurt van een stopcontact op een plek waar u de stekker en het stopcontact gemakkelijk kunt bereiken.
- 17 Lees het hoofdstuk "PROBLEMEN OPLOSSEN" in de handleiding over veel voorkomende vergissingen bij de bediening voor u de conclusie trekt dat het toestel een storing of defect vertoont.
- 18 Voor u dit toestel verplaatst, dient u ϕ naar beneden te drukken om dit toestel uit te schakelen, waarna u de stekker uit het stopcontact dient te halen.
- 19 De batterijen mogen niet worden blootgesteld aan hitte, zoals door direct zonlicht, vuur of iets dergelijks.
- 20 **VOLTAGE SELECTOR**
(Alleen modellen voor Azië en Algemene modellen)
De VOLTAGE SELECTOR op het achterpaneel van dit toestel moet worden ingesteld op de ter plekke gebruikte netspanning VOOR u de stekker in het stopcontact steekt. De geschikte voltages zijn als volgt:
..... 110/120/220/230-240 V, 50/60 Hz wisselstroom

Voorzorgen bij het verplaatsen van dit apparaat

- Wanneer u dit apparaat wilt verplaatsen, verwijdert u eerst alle disks vanaf de disklade en sluit u de disklade door op OPEN/ CLOSE te drukken. Controleer dat het display van het voorpaneel eruit ziet zoals in de onderstaande afbeelding is aangegeven, en schakel vervolgens de stroom uit.

NO DISC

Schakel dit apparaat nooit uit voordat de display het bovenstaande aangeeft, aangezien het apparaat anders tijdens vervoer defect kan raken omdat het interne mechanisme dan niet vergrendeld is.

Zolang dit toestel is aangesloten op het stopcontact, is de stroomvoorziening niet afgesloten, ook niet wanneer u het toestel uitschakelt met ϕ .

WAARSCHUWING

OM DE RISICO'S VOOR BRAND OF ELEKTRISCHE SCHOKKEN TE VERMINDEREN, MAG U DIT TOESTEL IN GEEN GEVAL BLOOTSTELLEN AAN VOCHT OF REGEN.

VEILIGHEIDSINFORMATIE BETREFFENDE DE LASER

Dit apparaat is voorzien van een laser. Om oogletsel te voorkomen, mag u het verwijderen van de afdekking en het uitvoeren van reparaties aan deze inrichting uitsluitend door een bevoegde servicemonteur laten uitvoeren.

GEVAAR

Zichtbare laserstraling indien geopend. Voorkom rechtstreekse blootstelling van de ogen aan de laserstraal. Als dit toestel is aangesloten op een stopcontact, houdt u uw ogen niet dicht bij de opening van de disklade en andere openingen om naar binnen te kijken.

De lasercomponent in dit product is in staat stralen te produceren die de limiet voor Klasse 1 overstijgen.

INHOUD

INLEIDING

REGELAARS EN HUN FUNCTIES.....	2
Voorpaneel.....	2
Aansluitingen op het achterpaneel.....	4
Afstandsbediening	5

BEDIENING

SCHIJVEN PLAATSSEN EN AFSPELEN	8
Geprogrammeerd afspelen Audio CD	8
PLAYXCHANGE	8
iPod/USB-APPARATEN AFSPELEN.....	9
iPod/USB-apparaten aansluiten	9
iPod afspelen.....	9
USB-apparaten afspelen	9
iPod/USB-apparaten afkoppelen	10
Ondersteunde iPod/USB-apparaten	10

EXTRA INFORMATIE

AFSPEELBARE SCHIJF- EN BESTANDSINDELINGEN	11
GEAVANCEERDE INSTELLINGEN GEBRUIKEN.....	13
PROBLEMEN OPLOSSEN.....	14
SPECIFICATIES	15

■ **Functies**


- Automatisch wisselende carroussel voor 5 schijven
- Volledig openende schijflade voor het wisselen van vijf schijven tegelijkertijd
- PLAYXCHANGE; U kunt de ene schijf wisselen terwijl u een andere afspeelt
- Optische digitale uitgang
- Afspelen van CD-R- en CD-RW-schijven (Raadpleeg pagina 11 voor nadere gegevens.)
- Afspelen van MP3- en WMA-schijven
- Afspelen van MP3- en WMA-bestanden die zijn opgeslagen op een USB-apparaat (Raadpleeg pagina 11 voor nadere gegevens.)
- Afspelen van iPod
- Geprogrammeerd afspelen (alleen Audio CD)
- Afspelen in willekeurige volgorde (behalve iPod)
- Herhaald afspelen van losse nummers/bestanden en hele schijven/mappen/apparaten
- Herhaald afspelen van A-B (alleen Audio CD)
- Regelbare scherm informatie en -helderheid
- PURE DIRECT-functie

■ **Meegedeleverde accessoires**

Controleer of alle onderstaande onderdelen aanwezig zijn.

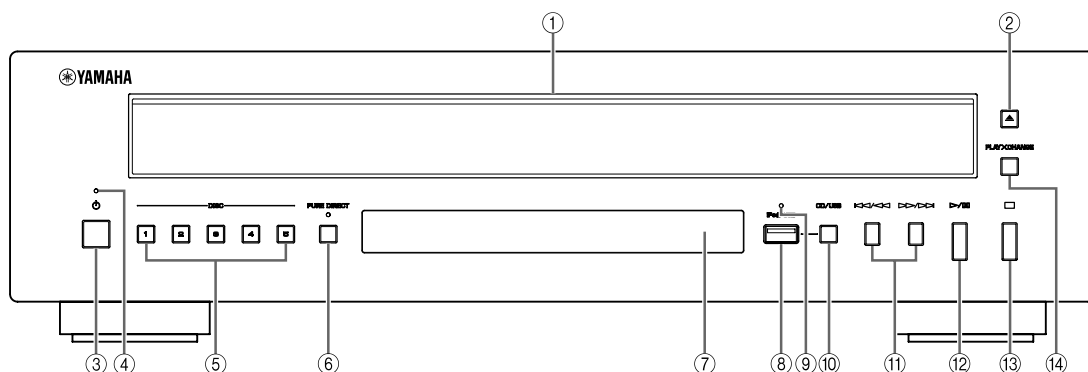
- Netsnoer
- Afstandsbediening
- Batterijen (AA, R6, UM-3) (×2)
- RCA-stereokabel

■ **Over deze handleiding**

-  wijst op een bedieningstip.
- In deze handleiding wordt naar audio-CD's verwezen als "Audio CD", naar MP3/WMA-schijven als "Data Disc" en naar MP3/WMA-bestanden die opgeslagen zijn op een USB-apparaat wordt verwezen als "USB".
- De pictogrammen **Audio CD**, **Data Disc** en **USB** wijzen op bestandsindelingen voor muziek waarvoor de beschreven handeling kan worden gebruikt.
- Deze handleiding werd gedrukt voordat het toestel in productie ging. Het ontwerp en de specificaties kunnen mogelijk worden gewijzigd als gevolg van verbeteringen en dergelijke. Indien er verschillen zijn tussen de handleiding en het product, heeft het product voorrang.

REGELAARS EN HUN FUNCTIES

Voorpaneel



① Schijflade

Schijfinvoer.

② (Openen/Sluiten)

Opent of sluit de schijflade. Voor het plaatsen en verwijderen van schijven zie pagina 8.

③ (Aan/uit)

Druk  in om het apparaat aan te zetten.



- Het aan/uitlampje hierboven gaat branden wanneer het apparaat aan staat.
- U kunt dit apparaat in stand-by zetten met STNDBY/ON op de afstandsbediening.
- Dit apparaat heeft een automatische stand-byfunctie. Wanneer u deze functie aan zet, dan schakelt het apparaat zichzelf automatisch in stand-by wanneer er 30 minuten lang geen schijf wordt afgespeeld. Voor nadere gegevens, zie pagina 13.

④ Aan/uitlampje

Brandt als volgt:

Aan: helder

Stand-bymodus: donker

Uit: uit

⑤ DISC (1-5)

Selecteert de gewenste schijf en start met afspelen.

⑥ PURE DIRECT

Zet PURE DIRECT-modus aan of uit voor betere geluidskwaliteit.



- De PURE DIRECT-indicator gaat branden.
- De digitale uitgang is uitgeschakeld.
- De weergave op het voorpaneel wordt tijdens afspelen uitgeschakeld en alleen de minimaal noodzakelijke indicatoren en berichten worden weergegeven tijdens gebruik.

Opmerking

Gebruik de ANALOG OUT-aansluitingen (analoog uit) wanneer u PURE DIRECT-modus gebruikt (zie pagina 4).

⑦ Afstandsbedieningssensor

Ontvangt de signalen van de afstandsbediening.

⑧ iPod/USB-poort

Sluit hier uw iPod of USB-apparaat aan. Raadpleeg pagina 9 voor meer informatie.

⑨ iPod/USB-indicator

Uit: CD-modus geselecteerd.

Oranje: verbinding gereed.

Groen: iPod/USB is aangesloten en afspelbare bestanden zijn gedetecteerd (klaar voor afspelen).

⑩ CD/USB

Schakelt tussen CD-modus en iPod/USB-modus. Zie pagina 9.







Wanneer de iPod/USB-indicator niet brandt, staat het apparaat in CD-modus.


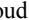
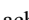
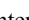
⑪ / (Achteruit springen/zoeken),

/ (Vooruit springen/zoeken)

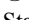

 / : Springt naar het volgende nummer.

 / : Springt terug naar het begin van het huidige nummer.

 /  (tweemaal): Springt naar het vorige nummer.

Houd  /  of  /  ingedrukt om achterwaarts/voorwaarts te zoeken.

⑫ (Afspelen) / (Pauzeren)

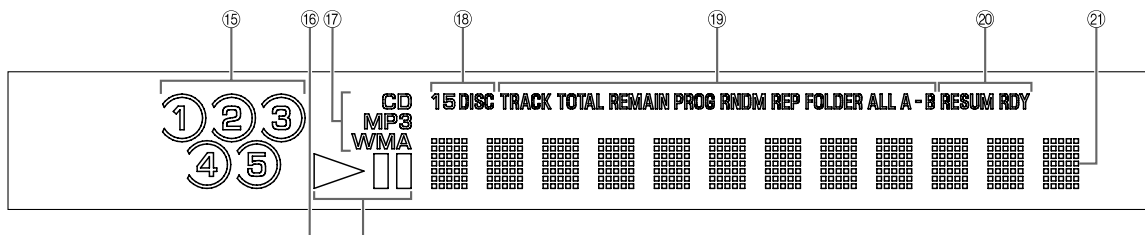
Start of pauzeert het afspelen. Druk nogmaals op  /  om het afspelen te hervatten.

⑬ (Stoppen)

Stopt het afspelen.

⑭ PLAYXCHANGE

Opent de schijflade tijdens het afspelen zonder het afspelen te onderbreken. Raadpleeg pagina 8 voor meer informatie.



15 Schijfselectie-indicator

De nummers branden die horen bij de laden die schijven bevatten. Het nummer in een vakje geeft de huidige geselecteerde schijf aan.

Opmerking

Het nummer dat bij een lege lade hoort kan gaan branden voordat de lade geselecteerd wordt. Wanneer de schijflade wordt gesloten na het plaatsen/verwisselen van schijven, start het apparaat vanaf lade 1 met het zoeken van schijven. Tijdens het zoeken doven de ladenummers die horen bij lege laden. Wanneer een schijf wordt gedetecteerd, stopt het zoeken en de overblijvende laden worden niet onderzocht.

16 Afspelerstatusindicator

Brandt wanneer het apparaat afspeelt of pauzeert.

17 Brontype-indicator

Geeft het type inhoud weer dat wordt afgespeeld.

18 Afspelermodusindicator

Geeft de geselecteerde afspelermodus aan (1DISC of 5DISC). Zie "MODE" (pagina 5) voor nadere gegevens.

19 Tijd- en afspelermodusindicator

Geeft de huidige afspelermodus en de status van de tijdweergave aan (zie pagina's 5 en 8 voor afspelermodi en pagina 6 voor de tijdweergave).

20 Geavanceerde-instellingsindicator

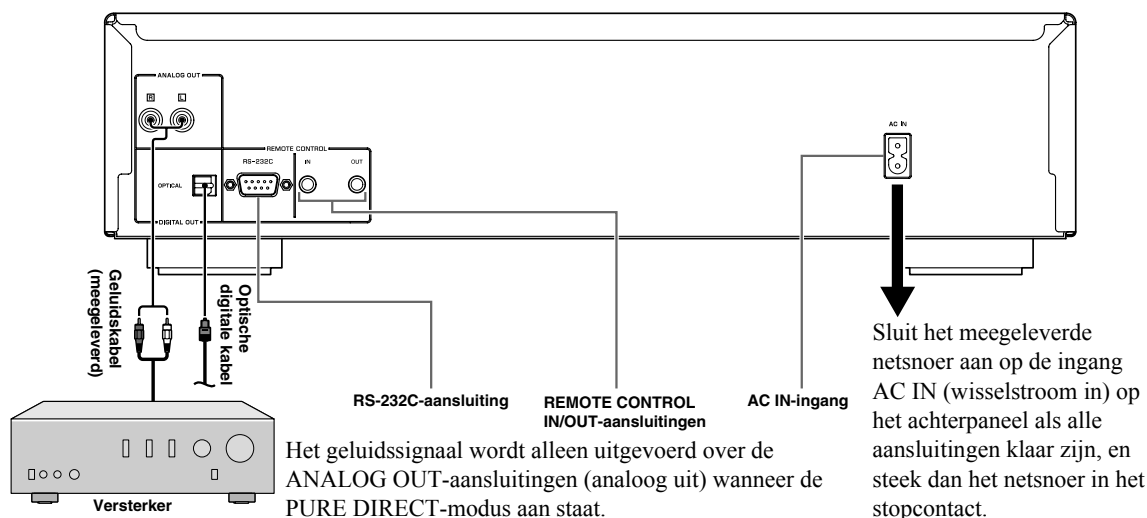
Geeft de ingeschakelde speciale modi weer. Zie "GEAVANCEERDE INSTELLINGEN GEBRUIKEN" (pagina 13) voor nadere gegevens.

21 Multi-info weergave

Aansluitingen op het achterpaneel

LET OP

Voor u iets aansluit, dient u de stroom van het toestel, de versterker en alle andere componenten **UIT** te schakelen.



■ VOLTAGE SELECTOR (Alleen modellen voor Azië en algemene modellen)

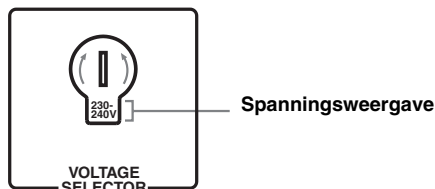
De voltages zijn als volgt:

.....110/120/220/230-240 V wisselstroom, 50/60 Hz

LET OP

De VOLTAGE SELECTOR (spanningskiezer) op het achterpaneel van dit apparaat moet ingesteld worden op uw lokale spanning **VOORDAT** u het netsnoer in het stopcontact steekt. Bij onjuiste instelling van de VOLTAGE SELECTOR kan schade aan het apparaat en brandgevaar ontstaan.

Draai de VOLTAGE SELECTOR met een platte schroevendraaier rechtsom of linksom naar de juiste positie.



Voor aangepaste installaties

■ REMOTE CONTROL IN/OUT-aansluitingen

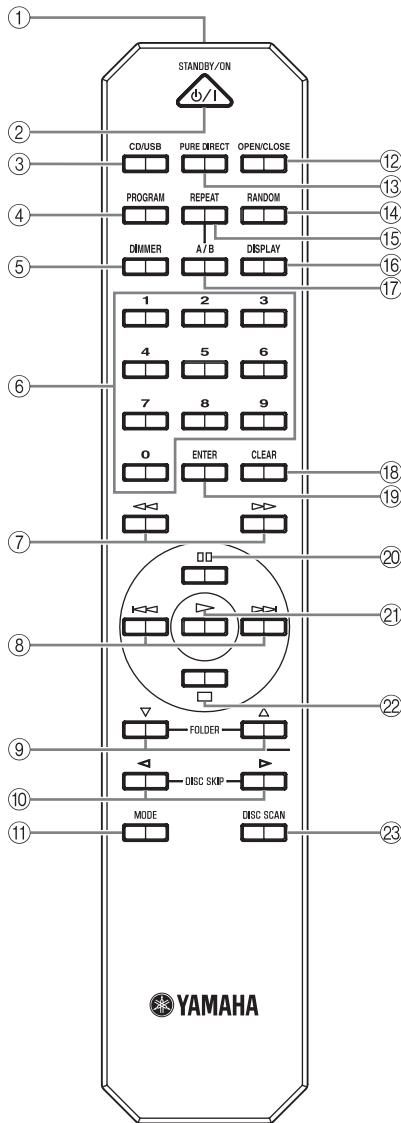
Deze aansluitingen worden gebruikt voor aangepaste installaties. Wanneer dit apparaat is aangesloten op de componenten van een aangepaste installatie, kunt u dit apparaat bedienen met de systeemafstandsbediening. Verbind de **REMOTE CONTROL IN**-aansluiting van dit apparaat met de uitgang van de centrale bedieningseenheid van de aangepaste installatie.

Door de **REMOTE CONTROL OUT**-aansluiting van dit apparaat te verbinden met de ingang voor afstandsbediening van de andere component, kunt u ook die bedienen met de systeemafstandsbediening. Op die manier kunt u maximaal zes componenten in serie schakelen.

■ RS-232C-aansluiting

Dit apparaat beschikt ook over een RS-232C-aansluiting. Raadpleeg uw leverancier voor nadere gegevens.

Afstandsbediening



① Infraroodsignaalzender

Zendt infrarood signaal naar het apparaat.

② STANDBY/ON

Zet het apparaat aan of in stand-bymodus wanneer ϕ (aan/uit) op het voorpaneel is ingedrukt.

Opmerking

U kunt dit apparaat alleen gebruiken als ϕ (aan/uit) op het voorpaneel is ingedrukt.

③ CD/USB

Schakelt tussen CD-modus en iPod/USB-modus (zie pagina 9).



Deze instelling wordt behouden, zelfs als u dit toestel uitschakelt.

④ PROGRAM

Zet geprogrammeerde afspeelmodus aan of uit. Zie "Geprogrammeerd afspelen" op pagina 8.

⑤ DIMMER

Per keer dat u op DIMMER drukt, verandert de helderheid met 4 niveaus.



Deze instelling wordt behouden, zelfs als u dit toestel uitschakelt.

⑥ Numerieke knoppen

Hiermee selecteert u rechtstreeks een nummer op de schijf of een bestand in de huidige map.

⑦ <<< (Achteruit zoeken), >>> (Vooruit zoeken)

Zolang u op deze toets drukt, wordt achteruit/voort gezocht.

⑧ <<< (Achteruit springen), >>> (Vooruit springen)

>>>: Springt naar het volgende nummer.

<<<: Springt terug naar het begin van het huidige nummer.

<<< (tweemaal): Springt naar het vorige nummer.

⑨ FOLDER ∇ (Map omlaag), \triangle (Map omhoog)

Data Disc **USB**

∇ : Springt naar de vorige map.

\triangle : Springt naar de volgende map.

Raadpleeg pagina 9 voor nadere gegevens.

⑩ DISC SKIP \triangleleft (Vorige schijf), \triangleright (Volgende schijf)

Springt naar de vorige/volgende schijf.

⑪ MODE

Schakelt de schijfafspeelmodus tussen 1DISC-modus en 5DISC-modus.

In 1DISC-modus wordt alleen de geselecteerde schijf afgespeeld.

In 5DISC-modus worden alle schijven in de lade achter elkaar afgespeeld.

⑫ OPEN/CLOSE

Opent of sluit de schijflade. U kunt vijf schijven tegelijkertijd plaatsen of verwisselen. Raadpleeg pagina 8 voor meer informatie.

⑬ PURE DIRECT

Zet PURE DIRECT-modus aan of uit voor betere geluidskwaliteit. Zie pagina 2 voor meer informatie.



Deze instelling wordt behouden, zelfs als u dit toestel uitschakelt.

⑭ RANDOM

Zet afspelen in willekeurige volgorde aan en uit.

Opmerking

Willekeurig afspelen wordt uitgeschakeld wanneer u de schijf uitvoert.

15 REPEAT

Herhaalt het afspelen van een enkel nummer of alle nummers. Per keer dat u op REPEAT (herhalen) drukt tijdens het afspelen, wisselt de herhaalmodus als volgt:

- REP TRACK (enkel nummer herhaald afspelen): een enkel nummer wordt herhaaldelijk afgespeeld.
- REP ALL (alles herhaald afspelen): Alle nummers (de gehele schijf) worden herhaald afgespeeld.

Data Disc **USB**

- REP FOLDER (map herhaald afspelen): Alle bestanden (de hele map) worden herhaald afgespeeld.

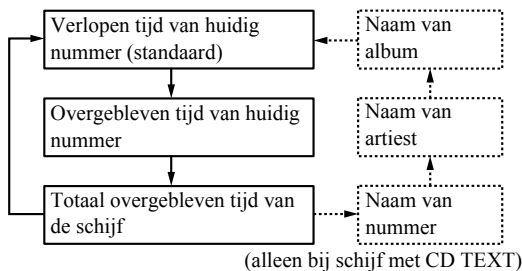


Herhaald afspelen werkt ook met geprogrammeerd en willekeurig afspelen.

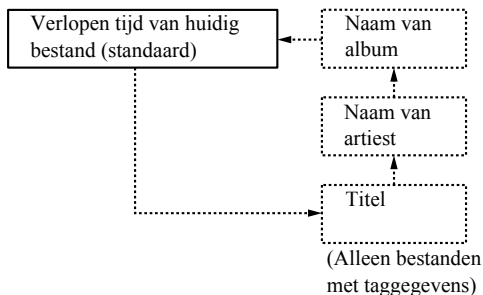
16 DISPLAY

Schakelt de tijdsweergave. Per keer dat u op DISPLAY (weergave) drukt tijdens het afspelen, wijzigt de tijdsweergave als volgt:

Audio CD



Data Disc **USB**



17 A/B **Audio CD**

Herhaalt het afspelen van een bepaald deel van een nummer. U stelt het begin- en eindpunt (A en B) in door tijdens het afspelen tweemaal op A/B te drukken. U stopt A-B-herhaling door nogmaals op A/B te drukken.

Opmerkingen

- U kunt geen A-B-herhaling instellen over meerdere nummers.
- U kunt geen A-B-herhaling instellen voor Data Disc en USB.
- Als u het afspelen stopt door op □ (Stoppen) te drukken, wordt A-B-herhaling gestopt.
- U kunt A-B-herhaling niet gebruiken als het apparaat in PURE DIRECT-modus staat.

18 CLEAR

Wist een geprogrammeerd nummer.

19 ENTER

Bevestigt een nummer dat u hebt ingevoerd tijdens het programmeren van nummers.

20 **⏸ (Pauzeren)**

Pauzeert het afspelen. Druk op ▷ of **⏸** om verder te gaan met het afspelen.

21 **▶ (Afspelen)**

Start het afspelen.

22 **□ (Stoppen)**

Stopt het afspelen.

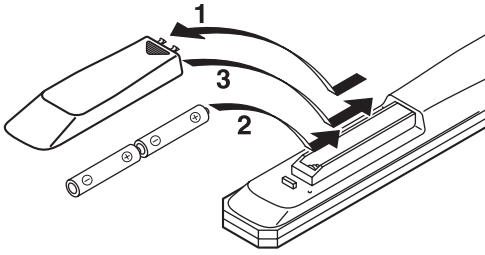
23 DISC SCAN

Scant geplaatste schijven en speelt 10 seconden van elke schijf af, zodat u een gewenste schijf kunt opzoeken. Wilt u het scannen stoppen en overschakelen naar normaal afspelen, druk dan opnieuw op DISC SCAN of druk op ▷ (Afspelen).

Opmerkingen

- Tijdens het scannen knippert het schijfladenummer van de schijf die afgespeeld wordt. Het nummer stopt met knipperen en gaat branden wanneer het afspelen van de schijf voltooid is.
- Als de schijf die u afspeelt lange stiltes tussen nummers bevat, hoort u geen geluid tijdens het scannen.

■ Batterijen plaatsen in de afstandsbediening



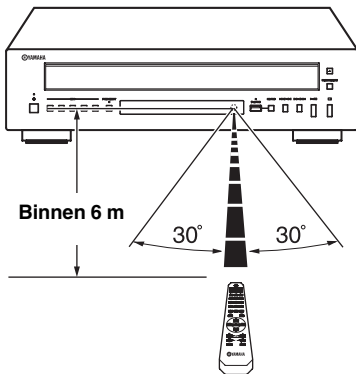
1 Druk op het met ▼ gemarkeerde deel en schuif de klep van het batterijvak.

2 Plaats de twee meegeleverde batterijen (AA, R6, UM-3) volgens de polariteitsmarkeringen (+ en -) op de binnenkant van het batterijvak.

3 Schuif de klep terug tot deze op haar plaats vastklikt.

■ De afstandsbediening gebruiken

De afstandsbediening zendt een gerichte infraroodstraal uit. Richt de afstandsbediening rechtstreeks op de afstandsbedieningssensor op het voorpaneel van het toestel als u het toestel wilt bedienen.



■ Opmerkingen over batterijen

- Verwissel alle batterijen wanneer u merkt dat het bereik van de afstandsbediening minder wordt.
- Gebruik AA, R6, UM-3 batterijen.
- Zorg ervoor dat de polen de goede kant op zitten. Bekijk daarvoor de afbeelding binnenin het batterijvak.
- Haal de batterijen eruit wanneer u de afstandsbediening langere tijd niet zult gebruiken.
- Gebruik geen oude en nieuwe batterijen door elkaar.
- Gebruik geen verschillende soorten batterijen door elkaar (alkali en gewone (mangaan) batterijen bijvoorbeeld). Lees de informatie op de verpakking aandachtig door, want de verschillende soorten batterijen kunnen erg op elkaar lijken.
- Als de batterijen zijn gaan lekken, moet u ze onmiddellijk weggooien. Raak het uit de batterijen gelekte materiaal niet aan en zorg ervoor dat het niet op uw kleding enz. komt. Maak het batterijvak goed schoon voor u er nieuwe batterijen in doet.
- Gooi batterijen nooit samen met gewoon huishoudelijk afval weg; neem bij het weggooien van batterijen de plaatselijk geldende regelgeving in acht.

■ Omgaan met de afstandsbediening

- Er mogen zich geen grote obstakels bevinden tussen de afstandsbediening en het te bedienen toestel.
- Mors geen water of andere vloeistoffen op de afstandsbediening.
- Laat de afstandsbediening niet vallen.
- Laat de afstandsbediening niet liggen en bewaar hem niet op de volgende plekken:
 - zeer vochtige plekken, bijvoorbeeld bij een bad
 - plekken waar de temperatuur hoog kan oplopen, zoals naast de verwarming of kachel
 - heel koude plekken
 - stoffige plekken
- Stel de afstandsbediening niet bloot aan sterke verlichting, in het bijzonder van TL lampen en dergelijke; anders is het mogelijk dat de afstandsbediening niet goed werkt. Indien nodig dient u dit toestel uit direct licht te zetten.

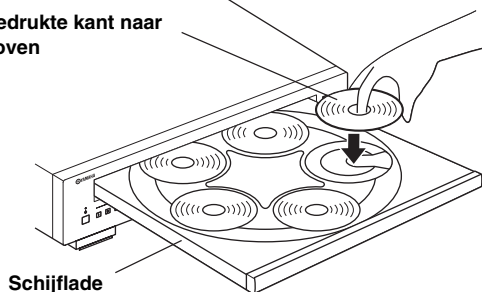
SCHIJVEN PLAATSEN EN AF SPELEN

U kunt vijf schijven tegelijkertijd plaatsen of verwisselen.

1 Druk op OPEN/CLOSE om de schijflade te openen en schijven te plaatsen.

Plaats de schijven correct in de lade met behulp van de schijfgeleiders.

Bedrukte kant naar boven



Schijflade

Opmerking

Wilt u een CD van 8 cm afspelen, plaats die dan in de verzonken binnenring van de schijflade. Plaats geen normale CD (12 cm) bovenop een CD van 8 cm.

2 Druk op OPEN/CLOSE om de schijflade te sluiten.

3 Druk op MODE om de gewenste schijfafspeelmodus te selecteren (1DISC of 5DISC); u kunt dit controleren op de display.

1DISC: Alleen de geselecteerde schijf wordt afgespeeld.
5DISC: Alle schijven in de lade worden achter elkaar afgespeeld.

4 Druk op ▷ (Afspelen) om het afspelen te starten vanaf het eerste nummer of bestand op schijf 1.

5 (Zo nodig) Selecteer de gewenste schijf met DISC SKIP ◀ / ▶ of een toets DISC (1-5) op het voorpaneel.

Geprogrammeerd afspelen

Audio CD

In geprogrammeerde afspeelmodus kunt u nummers afspelen in een geprogrammeerde volgorde.

Opmerkingen

- U kunt nummers programmeren en afspelen in elke volgorde van alle geplaatste schijven (1-5).
- De geprogrammeerde nummes worden gewist wanneer de schijf wordt verwijderd, het apparaat wordt uitgezet of als het apparaat in stand-by wordt gezet.

1 Druk op PROGRAM (programmeren) terwijl er niet wordt afgespeeld.

Het apparaat wordt ingesteld op programmabewerkingsmodus.

2 Selecteer een schijf met een van de toetsen DISC (1-5) op het voorpaneel of met DISC SKIP ◀ / ▶ op de afstandsbediening.

3 Selecteer een nummer met de numerieke toetsen en ENTER.

4 Herhaal de stappen 2 en 3 om het volgende nummer te programmeren.

U kunt maximaal 24 nummers programmeren.



Als u het geprogrammeerde nummer wilt wissen, drukt u op CLEAR (wissen).

5 Druk op ▷ .

Het afspelen start vanaf het begin van de geprogrammeerde serie.



Wilt u alle geprogrammeerde nummers wissen, dan drukt u op CLEAR als het afspelen is gestopt.

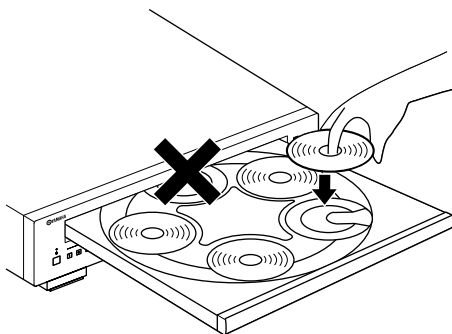
PLAYXCHANGE

PLAYXCHANGE is een functie waarmee u schijven kunt verwisselen tijdens het afspelen zonder het afspelen te onderbreken.

Druk op de toets PLAYXCHANGE op het voorpaneel om de schijflade te openen en schijven te verwisselen.

LET OP

Probeer nooit een schijf te laden in de positie die hieronder is weergegeven met een x. Dit kan schade toebrengen aan het apparaat en de schijf, omdat daar de schijf zit die wordt afgespeeld.



Opmerking

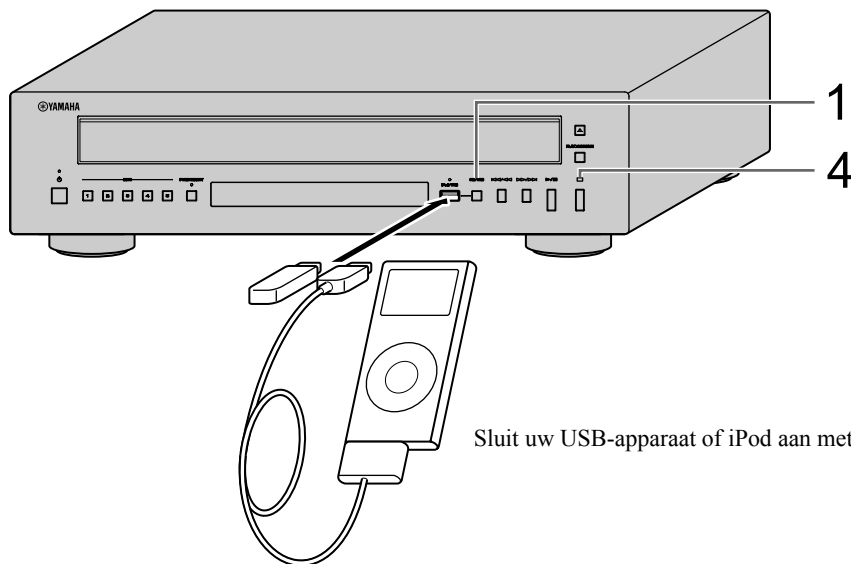
De DISC SKIP-toetsen werken niet wanneer de schijflade open staat.

iPod/USB-APPARATEN AF SPELEN

iPod/USB-apparaten aansluiten

Opmerkingen iPod

- Gebruik de USB-kabel die is meegeleverd met uw iPod. Als er geen USB-kabel is meegeleverd, koop er dan een bij Apple Inc.
- Zet uw iPod uit.
- Gebruik geen USB-hub.



Sluit uw USB-apparaat of iPod aan met een USB-kabel

iPod afspelen

1 Druk op CD/USB om de iPod/USB-modus te selecteren.

De iPod/USB-indicator op het voorpaneel gaat oranje branden, en verandert naar groen als het apparaat klaar is om af te spelen.

2 Start het afspelen.

U start het afspelen, selecteert nummers, pauzeert en stopt het afspelen op uw iPod.



U kunt ook de volgende knoppen op het apparaat of op de afstandsbediening gebruiken: ▷ (Afspelen), ||| (Pauzeren), □ (Stoppen), ◀◀ (Achteruit springen), ▶▶ (Vooruit springen), ◀◀ (Achteruit zoeken) en ▶▶ (Vooruit zoeken).

Opmerking

De iPod werkt misschien niet goed samen met dit apparaat als de software op de iPod niet bijgewerkt is. Gebruik altijd de nieuwste versie van de iPod-software.

USB-apparaten afspelen

1 Druk op CD/USB om de iPod/USB-modus te selecteren.

De iPod/USB-indicator op het voorpaneel gaat branden.

2 Start het afspelen.

De bestandsnaam wordt weergegeven op het voorpaneel en het afspelen start automatisch op volgorde van datum en tijd van maken als er afspeelbare bestanden op het USB-apparaat staan.

3 Selecteer een nummer.

Druk op FOLDER ▽ / ▲ op de afstandsbediening om een map te selecteren, en druk dan op ◀◀/▶▶ of op de numerieke knoppen om een nummer te selecteren.

4 Stoppen met afspelen.

Druk op □ (Stoppen).

Zie pagina 11 voor meer informatie over het afspelen van MP3/WMA.

iPod/USB-apparaten afkoppelen

Stop het afspelen en koppel dan uw iPod of USB-apparaat los. U kunt het beste op CD/USB drukken om naar CD-modus te schakelen. Controleer of de CD/USB-indicator uit gaat en koppel dan uw iPod/USB-apparaat los.

LET OP

Ontkoppel uw iPod of USB-apparaat niet tijdens het afspelen van het aangesloten apparaat of terwijl "USB READING" (USB lezen) op het voorpaneel wordt weergegeven.

Ondersteunde iPod/USB-apparaten

■ **Ondersteunde iPod-modellen**

- iPod classic (inclusief model 120 GB)
- iPod nano (tweede, derde en vierde generatie)
- iPod touch (eerste en tweede generatie)

(stand: april 2009)

Opmerkingen

- De iPod-licentie wordt verleend op voorwaarde dat gebruikers alleen niet auteursrechtelijk beschermd materiaal privé verveelvoudigen of afspelen of materiaal waarvoor verveelvoudiging en afspelen wettelijk is toegestaan. Schenden van auteursrecht is wettelijk verboden.
- Yamaha en leveranciers kunnen niet aansprakelijk worden gesteld voor het verlies van gegevens die op de iPod staan die is aangesloten op dit apparaat. Het verdient aanbeveling uit voorzorg reservekopieën te maken van de bestanden.

■ **Ondersteunde USB-apparaten**

Dit apparaat ondersteunt USB-apparaten in de klasse Massaopslag (bijv. flashgeheugen, kaartlezers of draagbare audiospelers) die gebruik maken van FAT16- of FAT32-indeling.

Opmerkingen

- Het is mogelijk dat sommige apparaten niet goed werken, ook al voldoen ze aan de vereisten.
- Dit apparaat ondersteunt geen versleutelde USB-geheugenapparaten.
- Sluit geen andere apparaten dan USB-apparaten voor massaopslag aan: USB-laders, USB-hubs, PC's, externe harde schijven, enz.
- Als u tegelijkertijd twee of meer geheugenkaarten inbrengt in een kaartlezer die verbonden is met de iPod/USB-poort op dit toestel, wordt slechts een van de geheugenkaarten herkend.
- Yamaha en leveranciers kunnen niet aansprakelijk worden gesteld voor het verlies van gegevens op USB-apparaten die op dit toestel zijn aangesloten. Het verdient aanbeveling uit voorzorg reservekopieën te maken van de bestanden.
- De afspeelbaarheid van en stroomtoevoer voor alle soorten USB-apparaten wordt niet gegarandeerd.

AFSPEELBARE SCHIJF- EN BESTANDSINDELINGEN

■ Afspeelbare MP3- en WMA-bestanden (USB-apparaten en Data Disc)

MP3

Indeling	Bitrate (kbps)	Samplingfrequentie (kHz)
MPEG 1 Audio Layer-3	32-320 *	32/44,1/48
MPEG 2 Audio Layer-3, 2	8-160 *	16/22,05/24
MPEG-2.5 Audio Layer-2	8-160 *	8/11,025/12

* Variabele bitrate wordt ook ondersteund.

WMA

- Versie 8
- Versie 9 (Standaard en variabele bitrates worden ondersteund. Professional en Lossless worden niet ondersteund.)

Profiel	Bitrate (kbps)	Samplingfrequentie (kHz)
High Profile	32-320 *	32/44,1/48
Mid Profile	16-32	16/22,05

* Variabele bitrate wordt ook ondersteund.

Opmerkingen

- Afspeelen voor Data Disc start in alfanumerieke volgorde.
- Afspeelen voor USB start op volgorde van datum en tijd van maken.
- Auteursrechtelijk beschermde WMA (DRM)-bestanden kunnen niet worden afgespeeld op dit apparaat.
- De schijf moet compatibel zijn met ISO 9660.
- De verlopen tijd wordt misschien niet correct weergegeven bij het afspelen van muziek in variabele bitrate.

	Data Disc	USB
Maximaal aantal bestanden	999	32767
Maximaal aantal mappen	256	256
Maximaal aantal bestanden per map	512	512

■ Afspeelbare schijven

Gebruik CD's met onderstaande markering.



.... Compact discs (digitale audio)



.... CD-R, CD-RW digitale audioschijven



- CD-R- of CD-RW-schijven die voorzien zijn van een van de volgende aanduidingen.
FOR CONSUMER (voor consumenten)
FOR CONSUMER USE (voor gebruik door consumenten)
FOR MUSIC USE ONLY (uitsluitend voor muziek)
- Afsloten CD-R- of CD-RW-schijven.

Opmerking

Deze CD-speler kan misschien sommige CD-R/CD-RW-schijven niet afspelen of schijven die niet correct zijn gebrand.



.... CD-TEXT-schijven

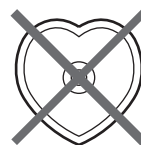
- Wanneer u een CD met CD TEXT (CD-tekst) afspeelt worden de titel van de schijf, de naam van de artiest en van het nummer weergegeven naast de tijdweergave.

Om een CD van 8 cm af te spelen

Plaats de schijf in de binnenste uitsparing van de schijfvlade. Plaats geen normale CD (12 cm) bovenop een CD van 8 cm.

Om het defect raken van dit toestel te voorkomen:

- Gebruik geen schijven met een afwijkende vorm (hart, enz.) die op de markt verkrijgbaar zijn, aangezien deze het toestel kunnen beschadigen.



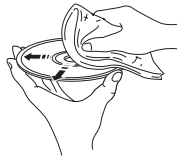
- Gebruik geen schijven waarop plakband, een etiket of lijm is aangebracht. Als u een dergelijke schijf gebruikt, bestaat de kans dat de schijf in het toestel klem raakt of het toestel beschadigd wordt.

■ Omgaan met CD's

- Wees altijd voorzichtig en let erop dat het afspeeloppervlak geen krassen oploopt. Buig de schijven niet.



- Om het afspeeloppervlak schoon te houden, gebruikt u een schone, droge doek. Gebruik geen schijfschoonmaakmiddel, spuitbus of andere chemische vloeistof.
- Veeg niet in cirkels; veeg rechtstreeks vanuit het midden naar buiten.



- Gebruik een pen met zachte punt wanneer u op de etiketkant van de schijf wilt schrijven.
- Wanneer u een schijf niet gebruikt, haalt u hem uit het apparaat en bergt u hem op in een geschikte doos.
- Stel schijven niet gedurende langere tijd bloot aan rechtstreeks zonlicht, hoge temperaturen of vochtigheidsgraad.

GEAVANCEERDE INSTELLINGEN GEBUIKEN

Dit apparaat beschikt over de volgende vier speciale modi, die nuttig kunnen zijn voor speciale doeleinden in winkels of kantoren.

Opmerking

De speciale modusfuncties zijn niet compatibel met iPods.

Af speelmodusgeheugen

Onthoud de huidige af speelmodus (REPEAT en RANDOM) als het apparaat wordt uitgezet, waardoor u de af speelmodus niet meer opnieuw hoeft in te stellen elke keer dat u het apparaat aanzet.

Het nummer wordt ook onthouden zodat het af spelen automatisch start bij hetzelfde nummer als u het apparaat weer aan zet.

De RESUM-indicator (hervatten) op het voorpaneel brandt als deze modus is ingeschakeld.

Paraatmodus

Pauzeert het af spelen na elk nummer, waardoor u het volgende nummer op het gewenste moment kunt starten. De RDY-indicator (paraat) op het voorpaneel brandt wanneer deze modus is ingeschakeld.

RS-232C ON/OFF

Schakelt de RS-232C-aansluiting op het achterpaneel in of uit.

Zet dit aan wanneer u de RS-232C-functie gebruikt. Deze modus staat bij levering uitgeschakeld.

Automatische stand-bymodus

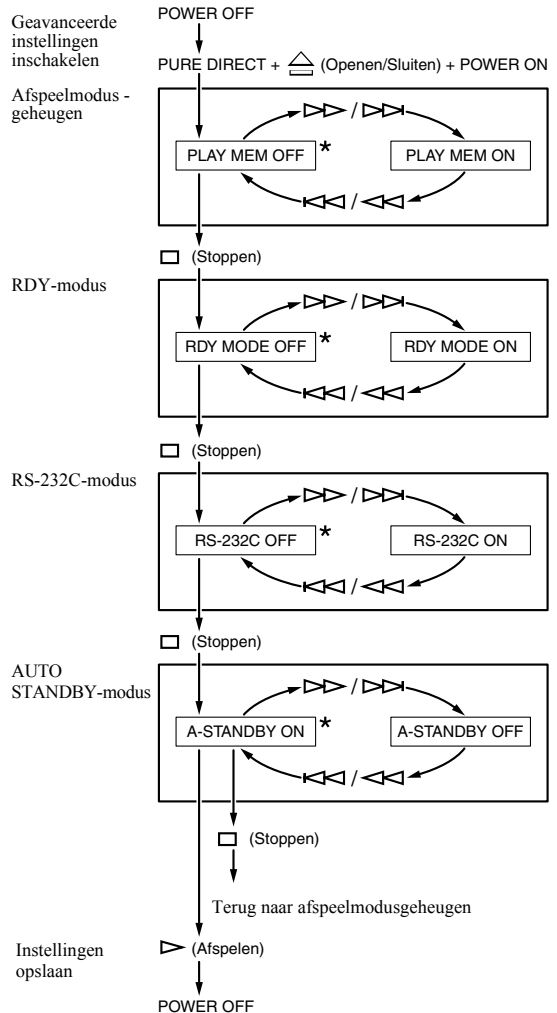
Wanneer deze functie aan staat, schakelt het apparaat automatisch naar stand-bymodus als gedurende 30 minuten aan een van de volgende voorwaarden wordt voldaan:

- 1) Het af spelen van CD's is gestopt in CD-modus (ook als er geen of een niet-ondersteunde schijf is geplaatst).
- 2) Het af spelen van CD's is gepauzeerd.
- 3) Er is geen USB-apparaat aangesloten in iPod/USB-modus.
- 4) Er is een niet-ondersteund USB-apparaat aangesloten in iPod/USB-modus (de iPod/USB-indicator blijft oranje branden).

Opmerking

Het apparaat schakelt niet automatisch naar stand-bymodus wanneer een ondersteund USB-apparaat of iPod is aangesloten (wanneer de iPod/USB-indicator groen brandt).

Als u geavanceerde instellingen wilt inschakelen en configureren, volg dan onderstaande stappen. Gebruik de toetsen op het voorpaneel.



*: Standaardinstelling

De volgende keer dat u het apparaat aan zet, schakelt het apparaat aan met de instellingen die u hierboven hebt opgegeven.

PROBLEMEN OPLOSSEN

Controleer de volgende punten indien het toestel niet normaal functioneert en bepaal of het probleem verholpen kan worden door de eenvoudige maatregelen die hieronder voorgesteld worden. Als het probleem niet kan verholpen worden of niet vermeld is in de kolom met de problemen, koppel het netsnoer dan los en neem contact op met een erkende Yamaha-dealer of een erkend servicecenter voor hulp.

Probleem	Mogelijke oorzaak	Oplossing	Zie pagina
Het toestel kan niet worden ingeschakeld.	Het netsnoer is niet verbonden met de AC IN-ingang op het achterpaneel of het steekt niet in het stopcontact.	Sluit het netsnoer stevig aan.	4
Dit apparaat schakelt plotseling uit.	Automatische stand-byfunctie is ingeschakeld.	Schakel de automatische stand-byfunctie uit.	13
De schijflade sluit niet volledig.	Een vreemd voorwerp hindert de schijflade.	Controleer voorzichtig de schijflade en verwijder het vreemde voorwerp.	—
Het afspelen van een schijf start niet of een schijfnummer gaat niet branden op de display.	De schijf is beschadigd.	Controleer de schijf nauwkeurig; vervang deze indien nodig.	—
	Er bevindt zich vocht op de laserpick-up.	Wacht 20 tot 30 minuten na het inschakelen van het toestel voordat u een schijf probeert af te spelen.	—
	De schijf is ondersteboven in de lade geplaatst.	Laad de schijf opnieuw met het label naar boven.	—
	De schijf is vuil.	Reinig de schijf.	13
	De indeling van het MP3- of WMA-bestand is niet compatibel met dit apparaat.	Vervang de schijf door een schijf die correct is opgenomen en afspeelbaar is op dit toestel.	13
	De (herschrijfbaar) CD-RW-schijf is niet correct opgenomen.	Vervang de schijf door een schijf die correct is opgenomen en afspeelbaar is op dit toestel.	13
	De schijf is niet standaard en kan niet afgespeeld worden op dit toestel.	Vervang de schijf door een schijf die correct is opgenomen en afspeelbaar is op dit toestel.	13
	Het toestel bevindt zich in iPod/USB-modus.	Schakel over naar schijfmodus door op CD/USB te drukken.	2
Het afspelen van de iPod start niet, ondanks dat de iPod is aangesloten.	De aangesloten iPod is niet compatibel met dit apparaat.	Sluit een compatibele iPod aan op het apparaat. Compatibele iPods zijn: <ul style="list-style-type: none"> • iPod classic (inclusief model 120 GB) • iPod nano (tweede, derde en vierde generatie) • iPod touch (eerste en tweede generatie) (stand: april 2009) 	10
	Het toestel bevindt zich in schijfmodus.	Schakel over naar iPod/USB-modus door op CD/USB te drukken.	9
Het afspelen via USB begint niet.	Verkeerde verbindingen met USB-apparaat.	Verbind het iPod/USB-apparaat opnieuw.	9
	De indeling van het MP3- of WMA-bestand is niet compatibel met dit apparaat.	Vervang het bestand door een bestand dat correct is opgenomen en afspeelbaar is op dit toestel.	11
	Het toestel bevindt zich in schijfmodus.	Schakel over naar iPod/USB-modus door op CD/USB te drukken.	9
Het afspelen begint vertraagd of op het verkeerde punt.	De schijf is mogelijk bekrast of beschadigd.	Controleer de schijf nauwkeurig; vervang deze indien nodig.	11
Geen geluid.	Uitvoerkabels verkeerd aangesloten.	Verbind de kabels correct. Als het probleem zich blijft voordoen, zijn de kabels mogelijk defect.	4
	Versterker verkeerd bediend.	Stel de regelaars van de versterker in op de correcte keuze van ingangsbron.	—
Het geluid van een component die verbonden is met de DIGITAL OUT-aansluitingen wordt niet afgespeeld.	PURE DIRECT is ingeschakeld.	Schakel PURE DIRECT uit. Of maak een analoge verbinding.	2

Probleem	Mogelijke oorzaak	Oplossing	Zie pagina
Het geluid "slaat over".	Het toestel is onderhevig aan trillingen of schokken.	Verplaats dit toestel.	—
	De schijf is vuil.	Reinig de schijf.	11
Er zit een "brom" in het geluid.	Kabels verkeerd aangesloten.	Sluit de audiokabels nauwkeurig aan. Als het probleem zich blijft voordoen, zijn de kabels mogelijk defect.	4
Storing afkomstig van een tuner in de buurt.	De tuner staat te dicht bij dit toestel.	Plaats de tuner en dit toestel verder uit elkaar of zet dit toestel uit.	—
Geluid vanuit de schijflade.	De schijf is mogelijk krom.	Vervang de schijf.	—
De afstandsbediening werkt niet correct.	Verkeerde afstand of hoek.	De afstandsbediening werkt binnen een maximaal bereik van 6 m en binnen een hoek van 30 graden ten opzichte van het voorpaneel.	5
	Direct zonlicht of sterke verlichting (van fluorescentielampen met een voorschakelapparaat, enz.) valt op de afstandsbedieningssensor van dit toestel.	Verplaats dit toestel.	—
	De batterijen zijn bijna leeg.	Vervang alle batterijen.	5

SPECIFICATIES

Audiogedeelte

- Frequentierespons 2 Hz - 20 kHz, ± 0,5 dB
- Harmonische vervorming + ruis (1 kHz) 0,003 % of minder
- Signaal/ruisverhouding 105 dB of meer
- Dynamisch bereik 96 dB of meer
- Uitvoerspanning (1 kHz, 0 dB) 2,0 ± 0,3 V

Eigenschappen laserdiode

- Materiaal GaAlAs
- Golflengte 790 nm
- Laseruitvoer max. 1,23 µW*

* Deze uitvoer is de gemeten waarde op een afstand van ong. 200 mm vanaf het objectieflensoppervlak op het optische oppakblok.

iPod™

"iPod" is een merk van Apple Inc., geregistreerd in de V.S. en andere landen.

"Made for iPod" (gemaakt voor iPod) betekent dat een elektronische accessoire is bedoeld om specifiek aangesloten te worden op een iPod en door de ontwikkelaar is gecertificeerd als voldoende aan de prestatiecriteria van Apple.

Apple is niet verantwoordelijk voor de werking van dit apparaat of voor het voldoen ervan aan veiligheids- en andere normen.

Algemeen

- Voedingsvereisten
 - Modellen voor V.S. en Canada 120 V wisselstroom, 60 Hz
 - Modellen voor Australië 240 V wisselstroom, 50 Hz
 - Modellen voor Europa 230 V wisselstroom, 50 Hz
 - Modellen voor Azië en algemeen 110 - 120/220 - 240 V wisselstroom, 50/60 Hz
- Bedrijfstemperatuur +5 °C tot +35 °C (+41 °F tot +95 °F)
- Stroomverbruik 16 W
- Stroomverbruik in stand-by minder dan 0,5 W
- Afmetingen (B × H × D) 435 × 116 × 405 mm
- Gewicht 6,2 kg

Merk op dat alle specificaties zonder voorafgaand bericht gewijzigd kunnen worden.

ПРЕДУПРЕЖДЕНИЕ: ВНИМАТЕЛЬНО ПРОЧИТАЙТЕ ЭТО ПЕРЕД ИСПОЛЬЗОВАНИЕМ АППАРАТА.

- 1 Для обеспечения наилучшего результата, пожалуйста, внимательно прочитайте данную инструкцию. Храните ее в безопасном месте для будущих справок.
- 2 Данную акустическую систему следует устанавливать в хорошо проветриваемом, прохладном, сухом и чистом месте вдали от прямого воздействия солнечных лучей, источников тепла, вибрации, пыли, влаги, и/или холода. Для обеспечения надлежащей вентиляции оставьте свободное пространство не меньше указанного ниже.
Сверху: 2,5 см
Сзади: 2,5 см
По сторонам: 2,5 см
- 3 Во избежание шумов и помех, данный аппарат следует размещать на некотором расстоянии от других электрических приборов, двигателей или трансформаторов.
- 4 Во избежание накопления влаги внутри данного аппарата, что может вызвать электрошок, пожар, привести к поломке данного аппарата, и/или представлять телесное повреждение, не следует размещать данный аппарат в среде, подверженной резким изменениям температуры с холодной на жаркую, или в среде с повышенной влажностью (например, в комнате с увлажнителем воздуха).
- 5 Не устанавливайте данный аппарат в местах, где есть риск падения других посторонних объектов на данный аппарат и/или где данный аппарат может подвергнуться попаданию капель брызг жидкостей. На крышке данного аппарата, не следует располагать:
 - Другие компоненты, так как это может привести к поломке и/или обесцвечиванию поверхности данного аппарата.
 - Горящие объекты (например, свечи), так как это может привести к пожару, поломке данного аппарата и/или представлять телесное повреждение.
 - Емкости с жидкостями, так как при их падении жидкости могут вызвать поражение пользователя электрическим током и/или привести к поломке данного аппарата.
- 6 Во избежание прерывания охлаждения данного аппарата, не следует покрывать данный аппарат газетой, скатертью, занавеской и т.д. Повышение температуры внутри данного аппарата может привести к пожару, поломке данного аппарата и/или представлять телесное повреждение.
- 7 Пока все соединения не завершены, не следует подключать данный аппарат к розетке.
- 8 Не используйте данный аппарат, установив его верхней стороной вниз. Это может привести к перегреву и возможной поломке.
- 9 Не применяйте силу по отношению к переключателям, ручкам и/или проводам.
- 10 При отсоединении силового кабеля питания от розетки, вытягивайте его, удерживая за вилку; ни в коем случае не тяните кабель.
- 11 Не применяйте различные химические составы для очистки данного аппарата; это может привести к разрушению покрывающего слоя. Используйте чистую сухую ткань.
- 12 Используйте данный аппарат с соблюдением напряжения, указанного на данном аппарате. Использование данного аппарата при более высоком напряжении, превышающем указанное, является опасным, и может стать причиной пожара, поломки данного аппарата, и/или представлять телесное повреждение. Yamaha не несет ответственности за любую поломку или ущерб вследствие использования данного аппарата при напряжении, не соответствующем указанному напряжению.
- 13 Во избежание поломки от молнии, отключите силовой кабель питания от розетки во время электрической бури.
- 14 Не пробуйте модифицировать или починить данный аппарат. При необходимости свяжитесь с квалифицированным сервисным центром Yamaha. Корпус аппарата не должен открываться ни в коем случае.
- 15 Если вы не собираетесь использовать данный аппарат в течение продолжительного промежутка времени (например, во время отпуска), отключите силовой кабель переменного тока от розетки.
- 16 Данный аппарат следует устанавливать возле розетки переменного тока, куда можно свободно протянуть силовой кабель.
- 17 Перед тем, как прийти к заключению о поломке данного аппарата, обязательно изучите раздел “ВОЗМОЖНЫЕ НЕИСПРАВНОСТИ И СПОСОБЫ ИХ УСТРАНЕНИЯ” в инструкции по эксплуатации, где описаны часто встречающиеся ошибки во время использования.
- 18 Перед перемещением данного аппарата, нажмите кнопку ϕ вниз для отключения данного аппарата, и затем отсоедините силовой кабель переменного тока от розетки переменного тока.
- 19 Батарейки не должны подвергаться нагреву от солнечных лучей, огня или похожих источников.
- 20 **VOLTAGE SELECTOR**
(Только модель для Азии и общая модель)
Переключатель VOLTAGE SELECTOR на задней панели данного аппарата должен быть установлен на местное напряжение ДО подключения к сети переменного тока. Переключаемые напряжения:
.....110/120/220/230–240 В переменного тока, 50/60 Гц

Предостережение перед перемещением данного аппарата

- При перемещении данного аппарата, сначала извлеките все диски из лотка и закройте лоток, нажав кнопку OPEN/CLOSE. Затем отключите питание, убедившись, что на дисплее передней панели показана следующая индикация.

NO DISC

Ни в коем случае не отключайте питание, если на передней панели отсутствует вышеуказанная индикация. В противном случае аппарат выйдет из строя при перемещении, так как внутренний механизм не будет заблокирован.

Данный аппарат считается не отключенным от источника переменного тока все то время, пока он подключен к сети переменного тока, даже если данный аппарат был выключен через ϕ .

ПРЕДУПРЕЖДЕНИЕ

ВО ИЗБЕЖАНИЕ ПОЖАРА ИЛИ УДАРА ЭЛЕКТРИЧЕСКИМ ТОКОМ НЕ ПОДВЕРГАЙТЕ ДАННЫЙ АППАРАТ ВОЗДЕЙСТВИЯМ ДОЖДЯ ИЛИ ВЛАГИ.

БЕЗОПАСНОЕ ИСПОЛЬЗОВАНИЕ ЛАЗЕРА

Данное устройство содержит лазер. Из-за опасности травмы глаз, снимать крышку или обслуживать данное устройство должен только сертифицированный обслуживающий персонал.

ОПАСНОСТЬ

Данное устройство в открытом состоянии излучает видимые лазерные лучи. Не допускайте непосредственного воздействия лазерных лучей на глаза. Когда данное устройство подключено к розетке, не приближайте глаза к отверстию лотка диска и другим отверстиям, и не смотрите внутрь аппарата.

Лазерный компонент данного изделия может выделять радиацию, превышающую ограниченный уровень радиации для Класса 1.

СОДЕРЖАНИЕ

ВВЕДЕНИЕ

ЭЛЕМЕНТЫ УПРАВЛЕНИЯ И ФУНКЦИИ	2
Передняя панель.....	2
Соединения на задней панели.....	4
Пульт ДУ.....	5

ЭКСПЛУАТАЦИЯ

ЗАГРУЗКА И ВОСПРОИЗВЕДЕНИЕ ДИСКОВ	8
Программное воспроизведение Audio CD	8
PLAYXCHANGE.....	8
ВОСПРОИЗВЕДЕНИЕ КОМПОЗИЦИЙ С iPod/УСТРОЙСТВ USB	9
Подключение iPod/устройств USB.....	9
Воспроизведение композиций с устройства iPod.....	9
Воспроизведение с устройств USB.....	9
Отключение iPod/устройств USB.....	10
Поддерживаемые iPod/устройства USB.....	10

ДОПОЛНИТЕЛЬНАЯ ИНФОРМАЦИЯ

ВОСПРОИЗВОДИМЫЙ ФОРМАТ ДИСКОВ И ФАЙЛОВ	11
ИСПОЛЬЗОВАНИЕ УСОВЕРШЕНСТВОВАННОЙ УСТАНОВКИ	13
ВОЗМОЖНЫЕ НЕИСПРАВНОСТИ И СПОСОБЫ ИХ УСТРАНЕНИЯ	14
ТЕХНИЧЕСКИЕ ХАРАКТЕРИСТИКИ	15

ВВЕДЕНИЕ

ЭКСПЛУАТАЦИЯ

ДОПОЛНИТЕЛЬНАЯ
ИНФОРМАЦИЯ

■ Функциональные возможности

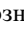



- Карусельный автомат смены дисков (на 5 дисков)
- Полностью открывающийся лоток для дисков, позволяющий менять 5 дисков одновременно
- Функция PLAYXCHANGE; возможность смены диска во время воспроизведения другого диска
- Цифровой оптический выход
- Возможность воспроизведения компакт-дисков CD-R, CD-RW (Подробнее об этом см. на стр. 11.)
- Возможность воспроизведения дисков MP3, WMA
- Возможность воспроизведения файлов MP3, WMA, хранящихся на устройстве USB (Подробнее об этом см. на стр. 11.)
- Возможность воспроизведения композиций с устройств iPod
- Программное воспроизведение (только компакт-диски Audio CD)
- Воспроизведение в случайном порядке (кроме iPod)
- Повторное воспроизведение одной композиции/файла, всего диска/папки/устройства
- Повторное воспроизведение части композиции A-B (только компакт-диски Audio CD)
- Возможность настройки отображаемой на дисплее информации и яркости дисплея
- Функция PURE DIRECT

■ Прилагаемые принадлежности

Убедитесь в наличии перечисленных ниже компонентов.

- Кабель питания
- Пульт ДУ
- Элементы питания (AA, R6, UM-3) (×2)
- Стерефонический кабель RCA

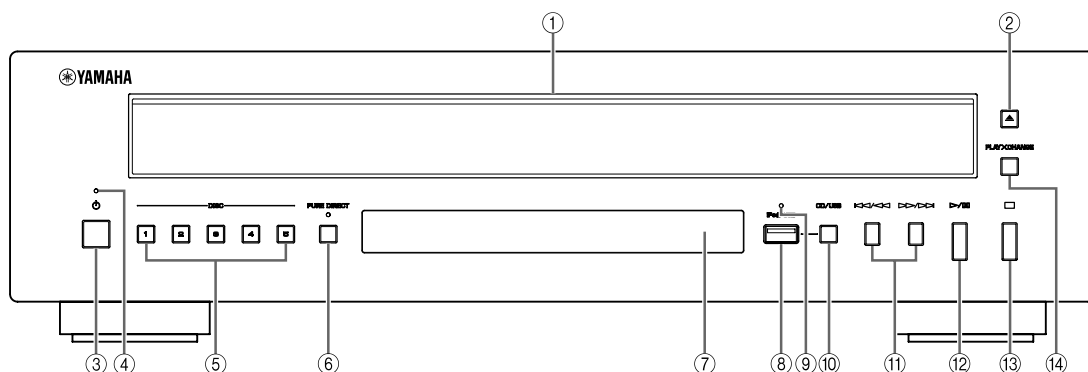
■ Об этом руководстве

- Символ  обозначает совет по поводу операции.
- В данном руководстве музыкальные компакт-диски обозначаются как “Audio CD”, диски, содержащие файлы MP3/WMA, как “Data Disc”, а файлы MP3/WMA, хранящиеся на устройстве USB, как “USB”.
- Пиктограммы ,  и  обозначают используемые форматы музыкальных данных.
- Это руководство отпечатано до производства аппарата. Конструкция и технические характеристики могут быть частично изменены в результате усовершенствований и т.д. В случае различий между руководством и аппаратом приоритет имеет аппарат.

Русский

ЭЛЕМЕНТЫ УПРАВЛЕНИЯ И ФУНКЦИИ

Передняя панель



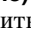
① Лоток диска

Загрузка диска.

② (открытие/закрытие)

Открытие или закрытие лотка дисководов. Для получения сведений о загрузке и извлечении дисков см. стр. 8.

③ (Питание)

Чтобы включить питание, нажмите кнопку , переведя ее в положение ON.



- Указанный выше индикатор питания загорается при включении аппарата.
- При помощи кнопки STANDBY/ON на пульте ДУ можно переключить аппарат в режим ожидания.
- В этом аппарате предусмотрена функция автоматического включения режима ожидания. Если эта функция включена, аппарат автоматически переходит в режим ожидания через 30 минут после остановки воспроизведения диска. Для получения дополнительных сведений см. стр. 13.

④ Индикатор питания

Загорается указанным ниже образом:

ВКЛЮЧЕНО: ярко

Режим ожидания: тускло

ВЫКЛЮЧЕНО: выключается

⑤ Кнопка DISC (1-5)

Выбор нужного диска и включение воспроизведения.

⑥ PURE DIRECT

Включение или выключение режима PURE DIRECT для улучшения качества звучания.



- Загорается индикатор PURE DIRECT.
- Цифровой выход не работает.
- Во время воспроизведения дисплей передней панели выключен и во время выполнения операции отображается минимальное количество требуемых индикаторов и сообщений.

Примечание

Подключите, используя разъемы ANALOG OUT, если используется режим PURE DIRECT (см. стр. 4).

⑦ Сенсор ДУ

Прием сигналов от пульта ДУ.

⑧ Порт iPod/USB

Подключение iPod или устройства USB. Подробнее см. на стр. 9.

⑨ Индикатор iPod/USB

Выключен: выбран режим CD.

Оранжевый: подключение установлено.

Зеленый: устройство iPod/USB подключено, и обнаружены файлы, которые можно воспроизвести (аппарат готов к воспроизведению).



⑩ CD/USB



Переключение между режимом CD и режимом iPod/USB. См. стр. 9.






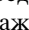


Если индикатор iPod/USB не горит, аппарат находится в режиме CD.

⑪ / (пропуск/поиск назад), / (пропуск/поиск вперед)



 / : переход к следующей композиции.

 / : переход к началу текущей композиции.

 /  (двойное нажатие): переход к предыдущей композиции.

Нажмите и удерживайте кнопку  /  или  /  для выполнения поиска назад/вперед.

⑫ (воспроизведение) / (пауза)

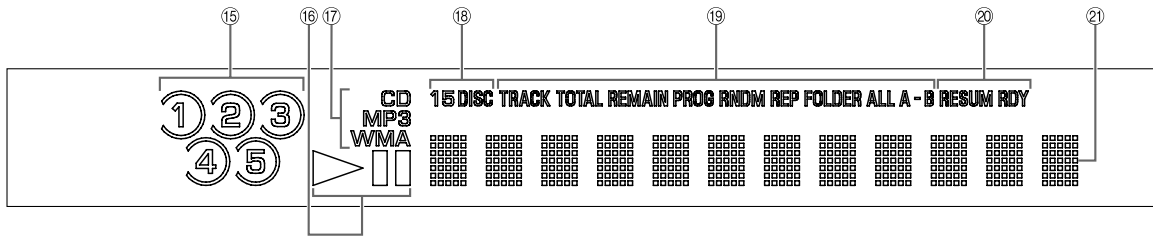
Запуск или приостановка воспроизведения. Чтобы возобновить воспроизведение, еще раз нажмите кнопку  / .

⑬ (стоп)

Остановка воспроизведения.

⑭ Кнопка PLAYXCHANGE

Открытие лотка для дисков во время воспроизведения без прерывания воспроизведения диска. Подробнее см. стр. 8.



15 Индикатор выбора диска

Загораются цифры, соответствующие лоткам, в которых находятся диски. Обведённая цифра обозначает выбранный диск.

Примечание

Цифра, соответствующая пустому лотку, может гореть до выбора лотка. При закрытии лотка для дисков после загрузки или замены дисков аппарат осуществляет поиск дисков, начиная с лотка 1. Во время поиска цифры, соответствующие пустым лоткам, гаснут. После обнаружения диска поиск в остальных лотках прекращается.

16 Индикатор состояния воспроизведения

Загорается, если аппарат работает в режиме воспроизведения или паузы.

17 Индикатор типа источника

Отображение типа воспроизводимого содержимого.

18 Индикатор режима воспроизведения

Отображение выбранного режима воспроизведения дисков (1DISC или 5DISC). Подробнее см. в разделе “MODE” (стр. 5).

19 Индикатор времени и воспроизведения

Отображение текущего режима воспроизведения и времени (о режимах воспроизведения см. стр. 5 и 8; об отображении времени см. стр. 6).

20 Индикатор усовершенствованной установки

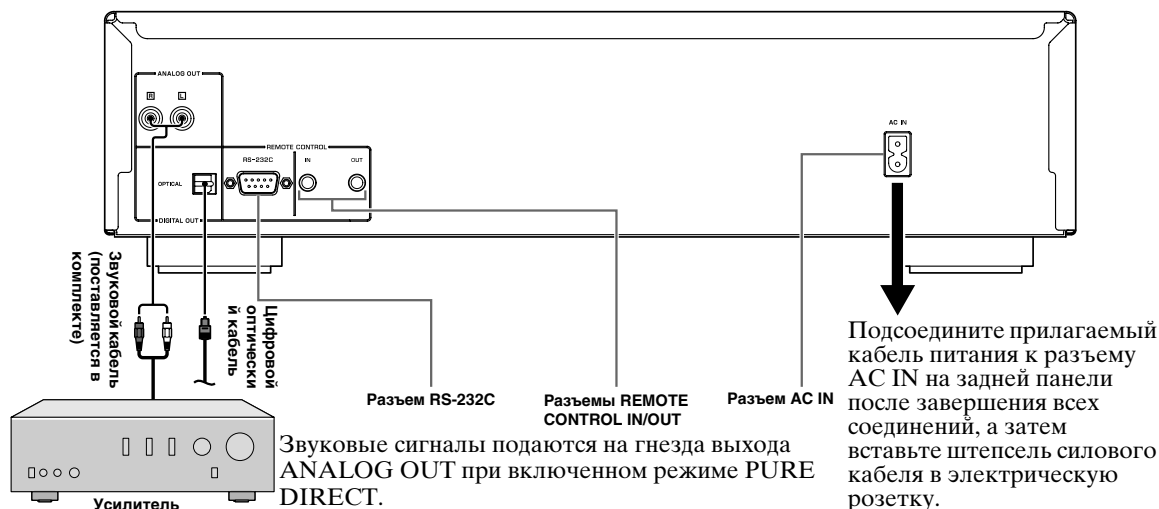
Отображение задействованных специальных режимов. Подробнее см. в разделе “ИСПОЛЬЗОВАНИЕ УСОВЕРШЕНСТВОВАННОЙ УСТАНОВКИ” (стр. 13).

21 Многофункциональный информационный дисплей

Соединения на задней панели

ПРЕДУПРЕЖДЕНИЕ

Перед выполнением любых соединений ОТКЛЮЧИТЕ питание аппарата, усилителя и любого другого компонента.



■ VOLTAGE SELECTOR (Только для общих моделей и моделей для Азии)

ПРЕДУПРЕЖДЕНИЕ

VOLTAGE SELECTOR на задней панели этого аппарата необходимо переключить в положение, соответствующее местному напряжению, ПЕРЕД подключением штепселя силового кабеля к электрической розетке. Выбор неправильного положения VOLTAGE SELECTOR может привести к повреждению аппарата и возникновению риска возгорания. С помощью обычной отвертки поверните VOLTAGE SELECTOR по часовой стрелке или против часовой стрелки и установите его в нужное положение.

Значения напряжения:
.....110/120/220/230–240 В переменного тока, 50/60 Гц



Для встраиваемых систем

■ Разъемы REMOTE CONTROL IN/OUT

Эти разъемы используются для встраиваемой акустической системы. При подключении аппарата к компонентам встраиваемой акустической системы можно управлять аппаратом при помощи пульта ДУ системы.

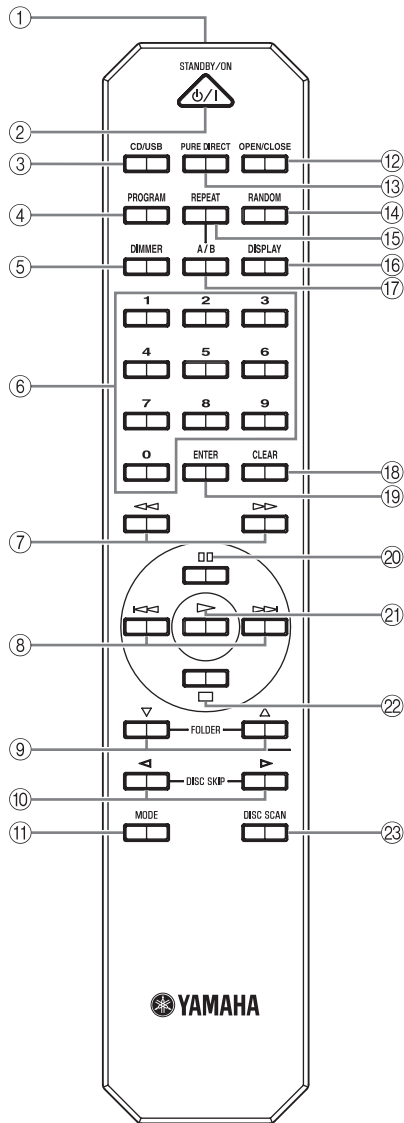
Соедините разъем **REMOTE CONTROL IN** аппарата с выходным разъемом центрального контроллера встраиваемой акустической системы.

Если соединить разъем **REMOTE CONTROL OUT** аппарата с входным разъемом ДУ другого компонента системы, этим компонентом также можно будет управлять при помощи пульта ДУ системы. Таким образом, можно последовательно подключить до 6 компонентов.

■ Разъем RS-232C

Данный аппарат также оборудован разъемом RS-232C. Для получения дополнительных сведений обращайтесь к дилеру.

Пульт ДУ



① **Передачик инфракрасных сигналов**
Передача аппарату инфракрасных сигналов.

② **STANDBY/ON**
Включение аппарата или режима ожидания, если кнопка ϕ (Питание) на передней панели находится в положении ON.

Примечание

Аппарат работает, только если кнопка ϕ (Питание) на передней панели находится в положении ON.

③ **CD/USB**
Переключение между режимом CD и режимом iPod/USB (см. стр. 9).

Данная настройка сохраняется даже при выключении аппарата.

④ **PROGRAM**
Включение или выключение режима программного воспроизведения. См. “Программное воспроизведение” на стр. 8.

⑤ **DIMMER**
Каждый раз при нажатии кнопки DIMMER уровень яркости будет изменяться на 4 отметки.

Данная настройка сохраняется даже при выключении аппарата.

⑥ **Цифровые кнопки**
Используйте для непосредственного выбора композиции на диске или файла в текущей папке.

⑦ **◀◀ (поиск назад), ▶▶ (поиск вперед)**
При нажатии этой кнопки выполняется поиск композиций назад или вперед.

⑧ **◀◀ (переход назад), ▶▶ (переход вперед)**
▶▶: переход к следующей композиции.
◀◀: переход к началу текущей композиции.
◀◀ (двойное нажатие): переход к предыдущей композиции.

⑨ **FOLDER ▾ (вниз), ▴ (вверх)**

Data Disc **USB**
▾: переход к предыдущей папке.
▴: переход к следующей папке.
Подробнее см. на стр. 9.

⑩ **DISC SKIP ◀ (предыдущий диск), ▶ (следующий диск)**
Переход к предыдущему или следующему диску.

⑪ **MODE**
Переключение режима воспроизведения дисков: 1DISC и 5DISC.
В режиме 1DISC воспроизводится только выбранный диск.
В режиме 5DISC воспроизводятся все диски на лотке по очереди.

⑫ **OPEN/CLOSE**
Открытие или закрытие лотка дисководов. Можно одновременно загрузить или сменить пять дисков. Подробнее см. стр. 8.

⑬ **PURE DIRECT**
Включение или выключение режима PURE DIRECT для улучшения качества звучания. Подробнее см. стр. 2.

Данная настройка сохраняется даже при выключении аппарата.

⑭ **RANDOM**
Включение или выключение режима воспроизведения в случайном порядке.

Примечание

При извлечении диска режим воспроизведения в случайном порядке будет отменен.

15 REPEAT

Повторение воспроизведения одной или всех композиций. Каждый раз при нажатии кнопки REPEAT во время воспроизведения режим повторного воспроизведения будет изменяться указанным ниже образом.

- REP TRACK (разовое повторное воспроизведение): повторно воспроизводится одна композиция.
- REP ALL (полное повторное воспроизведение): повторно воспроизводятся все композиции (весь диск).

Data Disc **USB**

- REP FOLDER (повторное воспроизведение папки): повторно воспроизводятся все файлы (вся папка).



Повторное воспроизведение можно использовать при выполнении программного воспроизведения и воспроизведения в случайном порядке.

16 DISPLAY

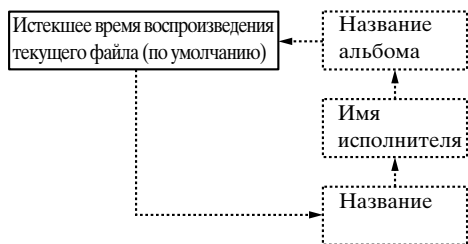
Переключение отображения времени. Каждый раз при нажатии кнопки DISPLAY во время воспроизведения индикатор времени будет изменяться указанным ниже образом:

Audio CD



(только диски CD TEXT)

Data Disc **USB**



(файлы только с информацией по тегам)

17 A/B **Audio CD**

Повторение воспроизведения определенной части композиции. Для установки точек начала и конца (А и В) повторного воспроизведения нажмите кнопку A/B дважды во время воспроизведения. Для отмены повторного воспроизведения A-B нажмите кнопку A/B еще раз.

Примечания

- Не удастся задать повтор A-B с одной композиции к другой.

- Не удастся задать повтор A-B при использовании диска Data Disc и устройства USB.
- Если остановить воспроизведение нажатием кнопки □ (стоп), повтор A-B будет отменен.
- Не удастся использовать повтор A-B, если этот аппарат работает в режиме PURE DIRECT.

18 CLEAR

Удаление запрограммированной композиции.

19 ENTER

Подтверждение номера композиции, введенного при программировании воспроизведения композиций.

20 (пауза)

Приостановка воспроизведения. Нажмите кнопку или , чтобы возобновить воспроизведение.

21 (воспроизведение)

Запуск воспроизведения.

22 (стоп)

Остановка воспроизведения.

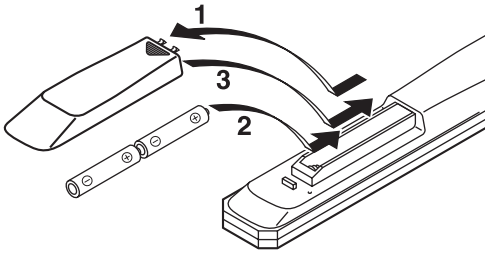
23 DISC SCAN

Сканирование загруженных дисков и 10-секундное воспроизведение каждого диска для поиска нужного диска. Чтобы отменить режим сканирования и переключиться в режим обычного воспроизведения, повторно нажмите кнопку DISC SCAN или нажмите кнопку (Воспроизведение).

Примечания

- Во время сканирования номер лотка диска, который воспроизводится, мигает. После завершения воспроизведения диска номер прекращает мигать и начинает гореть.
- Если на воспроизводимом диске между композициями существуют длинные интервалы, звук во время сканирования воспроизводиться не будет.

■ Установка элементов питания в пульт ДУ



1 Нажмите часть ▼ крышки отсека для батареек и сдвиньте ее.

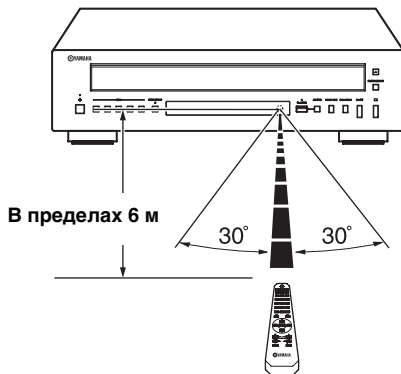
2 Вставьте два прилагаемых элемента питания (AA, R6, UM-3), соблюдая полярность (+ и -), указанную на внутренней части отсека для элементов питания.

3 Сдвиньте крышку на место.

■ Использование пульта ДУ

Пульт ДУ передает направленные инфракрасные лучи.

При управлении с помощью пульта ДУ обязательно направляйте его на сенсор ДУ, расположенный на передней панели данного аппарата.



■ Примечания по батарейкам

- Если вы заметили, что зона управления пульта ДУ уменьшилась, замените все батарейки.
- Используйте батарейки AA, R6, UM-3.
- Убедитесь в правильности полярностей. Смотрите иллюстрацию внутри отделения для батареек.
- Если пульт ДУ не используется в течение продолжительного времени, извлеките батарейки.
- Не используйте старые батарейки вместе с новыми.
- Не используйте различные типы батареек (например, щелочные и марганцовые батарейки) одновременно. Внимательно изучите упаковку, так как такие различные типы батареек могут иметь одинаковую форму и цвет.
- При протекании батареек, немедленно извлеките их. Избегайте контакта с материалом протекания или не давайте одежде и т.д. соприкасаться с материалом протекания. Перед установкой новых батареек, тщательно протрите отделение для батареек.
- Использованные батарейки следует выбрасывать не как обычные домашние отходы, а в соответствии с местными правилами.

■ Использование пульта ДУ

- На участке между пультом ДУ и данным аппаратом не должно быть больших препятствий.
- Избегайте проливания воды или других жидкостей на пульт ДУ.
- Не роняйте пульт ДУ.
- Не оставляйте или храните пульт ДУ в местах со следующими видами условий:
 - местах с повышенной влажностью, например, возле ванной
 - в местах с повышенной температурой, например, возле обогревателя или плиты
 - в местах с предельно низкими температурами
 - в запыленных местах
- Не подвергайте сенсор ДУ попаданию сильного света, в особенности, от флуоресцентной лампы инвертерного типа; в противном случае, пульт ДУ может работать несоответствующим образом. При необходимости, передвиньте данный аппарат подальше от прямого попадания света.

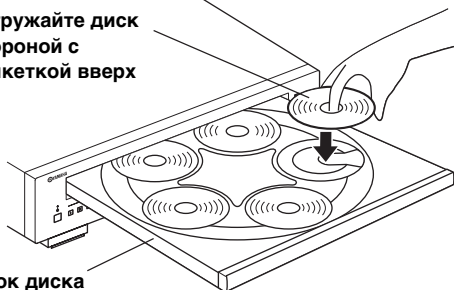
ЗАГРУЗКА И ВОСПРОИЗВЕДЕНИЕ ДИСКОВ

Можно одновременно загрузить или сменить пять дисков.

1 Откройте лоток для дисков, нажав кнопку OPEN/CLOSE, и загрузите диски.

Размещайте диски в лотке правильно, используя направляющие для дисков.

Загружайте диск стороной с этикеткой вверх



Лоток диска

Примечание

Чтобы воспроизвести компакт-диск диаметром 8 см, установите диск во внутреннюю углубленную часть лотка для диска. Не располагайте обычный компакт-диск (диаметром 12 см) поверх компакт-диска диаметром 8 см.

2 Нажмите кнопку OPEN/CLOSE, чтобы закрыть лоток для дисков.

3 Нажмите кнопку MODE для выбора желаемого режима воспроизведения (1DISC или 5DISC). Режим будет подтвержден на дисплее.

Режим 1DISC: воспроизводится только выбранный диск.

Режим 5DISC: воспроизводятся все диски на лотке по очереди.

4 Чтобы начать воспроизведение первой композиции или файла на диске 1, нажмите кнопку > (Воспроизведение).

5 При необходимости выберите нужный диск при помощи кнопки DISC SKIP < / > или кнопки DISC (1-5) на передней панели.

Программное воспроизведение **Audio CD**

В режиме программного воспроизведения можно воспроизводить композиции в запрограммированной последовательности.

Примечания

- Можно запрограммировать и воспроизводить композиции со всех загруженных дисков (1-5) в любой последовательности.
- Запрограммированные композиции удаляются при извлечении диска, выключении аппарата или его переключении в режим ожидания.

1 Нажмите кнопку PROGRAM при остановленном воспроизведении. Для аппарата выбран режим редактирования программы.

2 Выберите нужный диск при помощи одной из кнопок DISC (1-5) на передней панели или кнопки DISC SKIP < / > на пульте ДУ.

3 С помощью цифровых кнопок выберите нужную композицию и нажмите кнопку ENTER.

4 Повторите операции 2 и 3 для программирования следующей композиции. Можно запрограммировать до 24 композиций.



Для отмены запрограммированной композиции нажмите кнопку CLEAR.

5 Нажмите кнопку > . Воспроизведение начинается с начала запрограммированной последовательности.



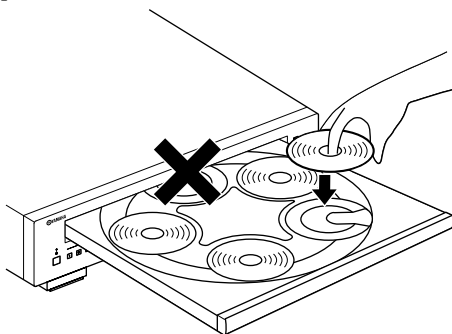
Для удаления всех запрограммированных композиций нажмите кнопку CLEAR при остановленном воспроизведении.

PLAYXCHANGE

PLAYXCHANGE — это функция, позволяющая сменить диски во время воспроизведения без прерывания воспроизведения диска. Нажмите кнопку PLAYXCHANGE на передней панели, чтобы открыть лоток для дисков и сменить диски.

ПРЕДУПРЕЖДЕНИЕ

Не пытайтесь загрузить диск в положении, обозначенном "х" на рисунке ниже. Это может привести к повреждению аппарата и диска, потому что именно в этом положении находится воспроизводимый диск.



Примечание

Кнопки DISC SKIP не функционируют при открытом лотке для дисков.

ВОСПРОИЗВЕДЕНИЕ КОМПОЗИЦИЙ С iPod/УСТРОЙСТВ USB

Подключение iPod/устройств USB

Примечания iPod

- Используйте кабель USB, входящий в комплект поставки устройства iPod. Если кабель USB не входит в комплект поставки, нужно приобрести кабель производства корпорации Apple Inc.
- Выключите свое устройство iPod.
- Не используйте концентратор USB.



Подключите устройство USB или iPod с помощью кабеля USB

Воспроизведение композиций с устройства iPod

- 1 Нажмите кнопку CD/USB, чтобы выбрать режим iPod/USB.**
Индикатор iPod/USB на передней панели загорится оранжевым светом, а потом зеленым, когда аппарат будет готов к воспроизведению.
- 2 Запуск воспроизведения.**
С помощью устройства iPod можно начать воспроизведение, выбрать композицию, поставить на паузу, а также остановить воспроизведение.



Можно также использовать такие кнопки: ▷ (воспроизведение), || (пауза), □ (стоп), ◀◀ (переход назад), ▶▶ (переход вперед), ◀◀ (поиск назад) и ▶▶ (поиск вперед) на аппарате или пульте ДУ.

Примечание

Устройство iPod может работать с данным аппаратом некорректно, если программное обеспечение iPod не было обновлено. Следует использовать последнюю версию программного обеспечения iPod.

Воспроизведение с устройств USB

- 1 Нажмите кнопку CD/USB, чтобы выбрать режим iPod/USB.**
Загорится индикатор iPod/USB на передней панели.
- 2 Запуск воспроизведения.**
На дисплее передней панели отобразится название файла и, если на устройстве USB имеются файлы, которые можно воспроизвести на аппарате, воспроизведение начнется автоматически с учетом даты и времени создания файлов.
- 3 Выбор композиции.**
Нажмите кнопку FOLDER ▽/△ на пульте ДУ, чтобы выбрать папку, а потом для выбора композиции нажмите кнопку ◀◀/▶▶ или цифровые кнопки.
- 4 Остановка воспроизведения.**
Нажмите кнопку □ (стоп).

Подробные сведения о воспроизведении файлов в формате MP3/WMA см. на Стр. 11.

Отключение iPod/устройств USB

Остановите воспроизведение, а затем отключите устройство iPod или USB. Рекомендуется нажать кнопку CD/USB, чтобы переключиться в режим CD, убедиться в том, что индикатор CD/USB погас, а затем отключить устройство iPod/USB.

ПРЕДУПРЕЖДЕНИЕ

Не отключайте устройство iPod или USB во время воспроизведения с подключенного устройства или при появлении на дисплее на передней панели сообщения “USB READING”.

Поддерживаемые iPod/устройства USB

■ Поддерживаемые модели iPod

- iPod classic (включая модель 120GB)
 - iPod nano (2-го, 3-го и 4-го поколения)
 - iPod touch (1-го и 2-го поколения)
- (по состоянию на апрель 2009 года)

Примечания

- Использование iPod разрешается при условии, что физические лица будут его использовать для частной записи и воспроизведения не охраняемых авторским правом материалов или материалов, запись и воспроизведение которых разрешены на законных основаниях. Нарушение авторских прав запрещено законом.
- Компания Yamaha и компании-поставщики не несут ответственности за потерю данных, хранящихся на устройствах iPod, подключаемых к данному аппарату. В качестве меры предосторожности рекомендуется делать резервные копии файлов.

■ Поддерживаемые устройства USB

Данный аппарат поддерживает запоминающие устройства USB большой емкости (например, устройства флэш-памяти, устройства для считывания с карт памяти или портативные аудиопроигрыватели), в которых используется формат FAT16 или FAT32.

Примечания

- Некоторые устройства могут работать неправильно, даже если они соответствуют техническим требованиям.
- Аппарат не поддерживает зашифрованные запоминающие устройства USB.
- Не подключайте другие устройства, отличные от запоминающих устройств USB большой емкости, например, зарядные устройства USB, концентраторы USB, персональные компьютеры, внешние жесткие диски и т.д.

- Если в устройство для считывания с карт памяти, подключенное к порту iPod/USB аппарата, вставлены две карты памяти или больше, распознается только одна из них.
- Компания Yamaha и компании-поставщики не несут ответственности за потерю данных, хранящихся на устройствах USB, подключаемых к данному аппарату. В качестве меры предосторожности рекомендуется делать резервные копии файлов.
- Воспроизведение и подача питания на устройства USB всех типов не гарантируется.

ВОСПРОИЗВОДИМЫЙ ФОРМАТ ДИСКОВ И ФАЙЛОВ

■ Воспроизводимые файлы MP3 и WMA (устройство USB и Data Disc)

MP3

Формат	Скорость передачи данных (кбит/с)	Частота дискретизации (кГц)
MPEG 1 Audio Layer-3	32-320 *	32/44,1/48
MPEG 2 Audio Layer-3, 2	8-160 *	16/22,05/24
MPEG-2.5 Audio Layer-2	8-160 *	8/11,025/12

* Также поддерживается переменная скорость передачи данных.

WMA

- Версия 8
- Версия 9 (поддерживается стандартная и переменная скорость передачи данных. Форматы Professional и Lossless не поддерживаются.)

Профиль	Скорость передачи данных (кбит/с)	Частота дискретизации (кГц)
High Profile	32-320 *	32/44,1/48
Mid Profile	16-32	16/22,05

* Также поддерживается переменная скорость передачи данных.

Примечания

- Воспроизведение файлов с диска Data Disc выполняется в алфавитно-цифровом порядке.
- Воспроизведение файлов с устройства USB выполняется в порядке даты и времени их создания.
- На данном аппарате не удастся воспроизвести файлы WMA (DRM), защищенные авторским правом.
- Диск должен быть совместимым со стандартом ISO 9660.
- Истекшее время воспроизведения может отображаться неправильно при воспроизведении содержимого с переменной скоростью передачи данных.

	Data Disc	USB
Максимальное количество файлов	999	32767
Максимальное количество папок	256	256
Максимальное количество файлов в папке	512	512

■ Воспроизводимые диски

Используйте компакт-диски с указанной ниже маркировкой.



.... Компакт-диски (цифровые аудиодиски)



.... CD-R, CD-RW (цифровые аудиодиски)

- Диски CD-R или CD-RW с указанными ниже обозначениями.
FOR CONSUMER
FOR CONSUMER USE
FOR MUSIC USE ONLY
- Финализированные диски CD-R или CD-RW.



Примечание

На данном проигрывателе компакт-дисков, возможно, не удастся воспроизвести некоторые диски CD-R/CD-RW или диски с неправильно выполненной записью.



.... Диски CD-TEXT

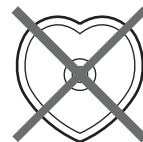
- При воспроизведении компакт-дисков CD TEXT, кроме времени на дисплее отображается название диска, имя исполнителя и название композиции.

Воспроизведение компакт-дисков диаметром 8 см

Установите диск во внутреннюю углубленную часть лотка дисководов. Не располагайте обычный компакт-диск (диаметром 12 см) поверх компакт-диска диаметром 8 см.

Во избежание повреждения данного аппарата не выполняйте следующих действий.

- Не используйте диски нестандартной формы (в форме сердца и т.д.), доступные в продаже, поскольку их использование может привести к повреждению аппарата.
- Не используйте диски с клейкой лентой, наклейками или следами клея на поверхности. Такие диски могут застрять в аппарате или привести к его повреждению.

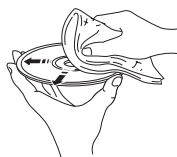


■ Правила обращения с компакт-дисками

- Обращайтесь с диском аккуратно, чтобы не поцарапать его поверхность. Не сгибайте диск.



- Очищайте поверхность диска чистой сухой тканью. Не используйте средства для очистки дисков, аэрозоли или любые другие химические жидкости.
- Протирайте диск не круговыми движениями, а от центра к краям.



- Для нанесения надписей на этикетку диска используйте фломастер.
- Если диск не используется, извлеките его из аппарата и положите в соответствующий футляр.
- Не подвергайте диск воздействию прямых солнечных лучей, высокой температуры и высокой влажности в течение длительного времени.

ИСПОЛЬЗОВАНИЕ УСОВЕРШЕНСТВОВАННОЙ УСТАНОВКИ

Для этого аппарата предусмотрено четыре специальных режима (описаны ниже), которые можно использовать в магазинах или офисах для специальных целей.

Примечание

Действие этих специальных режимов несовместимо с устройствами iPod.

Память режима воспроизведения

Сохраняет текущий режим воспроизведения (REPEAT и RANDOM (повторное воспроизведение и воспроизведение в случайном порядке)) после выключения питания, позволяя экономить время настройки режима воспроизведения при каждом включении питания. Также сохраняется номер композиции, поэтому при следующем включении аппарата воспроизведение автоматически начнется с той же композиции. При включении режима на дисплее передней панели загорается индикатор RESUM.

Режим готовности

Приостанавливает воспроизведение после каждой композиции, предоставляя возможность начать воспроизведение следующей композиции в нужное время.

При включении данного режима на дисплее передней панели загорается индикатор RDY.

Кнопка RS-232C ON/OFF

Включение или отключение разъема RS-232C на задней панели.

Включите его при использовании функции RS-232C. По умолчанию этот режим отключен.

Режим автоматического включения режима ожидания

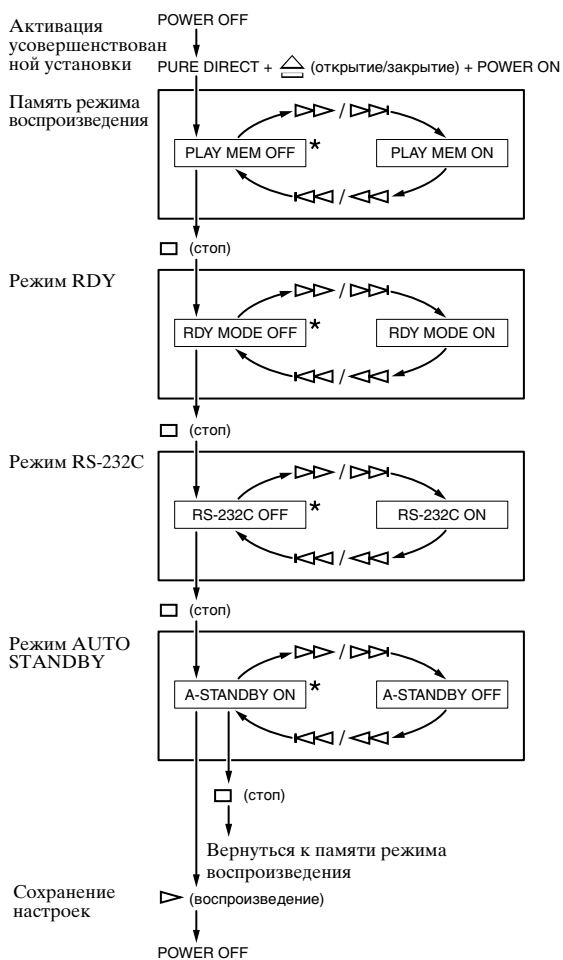
Если эта функция включена, аппарат автоматически переходит в режим ожидания, если любое из указанных ниже состояний длится 30 минут.

- 1) Остановка воспроизведения компакт-диска в режиме CD (в том числе, если диск не загружен или загружен диск, который не поддерживается аппаратом).
- 2) Воспроизведение диска приостановлено.
- 3) Устройство USB не подключено в режиме iPod/USB.
- 4) В режиме iPod/USB подключено устройство USB, которое не поддерживается аппаратом (индикатор iPod/USB остается оранжевым).

Примечание

Аппарат не переходит автоматически в режим ожидания, если подключено поддерживаемое устройство USB или iPod (когда индикатор iPod/USB светится зеленым цветом).

Для активации и настройки усовершенствованной установки выполните указанные ниже шаги. Используйте кнопки на передней панели.



При следующем включении питания аппарат включится с установленными вами настройками.

ВОЗМОЖНЫЕ НЕИСПРАВНОСТИ И СПОСОБЫ ИХ УСТРАНЕНИЯ

Если в работе аппарата отмечаются неисправности, просмотрите следующие пункты. Возможно, неисправность без труда удастся устранить с помощью предложенных способов. Если устранить неисправность не удается или если ее нет в столбце “Неисправность”, отсоедините кабель питания и обратитесь за помощью к авторизованному дилеру Yamaha или в сервисный центр.

Неисправность	Возможные причины	Способы устранения	См. стр.
Аппарат не включается.	Кабель питания не подсоединен к разьему AC IN на задней панели или розетке.	Вставьте кабель питания до конца.	4
Аппарат неожиданно выключается.	Включен автоматический режим ожидания.	Отключите автоматический режим ожидания.	13
Лоток дисковод закрывается не полностью.	Посторонний объект мешает полному закрытию лотка.	Внимательно осмотрите лоток дисковода и удалите посторонний объект.	—
Воспроизведение диска не начинается, или на дисплее не загорается номер диска.	Диск поврежден.	Внимательно осмотрите диск. При необходимости замените его.	—
	На лазерном звукоснимателе образовался конденсат.	Подождите 20–30 минут после ВКЛЮЧЕНИЯ аппарата, а затем попытайтесь воспроизвести диск.	—
	Диск загружен верхней стороной вниз.	Загрузите диск заново, стороной с этикеткой вверх.	—
	Диск загрязнен.	Очистите диск.	13
	Формат файлов MP3 или WMA не поддерживается данным аппаратом.	Замените диск на правильно записанный диск, который можно воспроизвести на данном аппарате.	13
	Диск CD-RW (перезаписываемый) записан неправильно.	Замените диск на правильно записанный диск, который можно воспроизвести на данном аппарате.	13
	Используется нестандартный диск, который нельзя воспроизвести на данном аппарате.	Замените диск на правильно записанный диск, который можно воспроизвести на данном аппарате.	13
	Аппарат работает в режиме iPod/USB.	Нажмите кнопку CD/USB, чтобы переключить аппарат в режим диска.	2
Не удается начать воспроизведение с устройства iPod, несмотря на то, что устройство iPod подключено.	Подключенное устройство iPod несовместимо с этим аппаратом.	Подключите совместимое с этим аппаратом устройство iPod. Ниже указаны совместимые устройства iPod: <ul style="list-style-type: none"> • iPod classic (включая модель 120GB) • iPod nano (2-го, 3-го и 4-го поколения) • iPod touch (1-го и 2-го поколения) (по состоянию на апрель 2009 года) 	10
	Аппарат находится в режиме диска.	Нажмите кнопку CD/USB, чтобы переключить аппарат в режим iPod/USB.	9
Не удается начать воспроизведение USB.	Неправильно подключено устройство USB.	Заново подключите устройство iPod/USB.	9
	Формат файлов MP3 или WMA не поддерживается данным аппаратом.	Воспроизводите другой, правильно записанный файл, который можно воспроизвести на данном аппарате.	11
	Аппарат находится в режиме диска.	Чтобы переключить аппарат в режим iPod/USB, нажмите кнопку CD/USB.	9
Воспроизведение задерживается или начинается не с того места.	Возможно, диск поцарапан или поврежден.	Внимательно осмотрите диск. При необходимости замените его.	11
Нет звука.	Неправильно подключен выходной кабель.	Правильно подсоедините кабели. Если проблема не устранена, это может быть связано с неисправностью кабелей.	4
	Неправильно работает усилитель.	С помощью регуляторов усилителя правильно укажите источник.	—

Неисправность	Возможные причины	Способы устранения	См. стр.
Не воспроизводится звук компонента, подсоединенного к гнездам DIGITAL OUT.	Включен режим PURE DIRECT.	Выключите режим PURE DIRECT. Можно также выполнить аналоговое соединение.	2
Звук “скачет”.	Аппарат подвергается воздействию вибраций или толчков.	Переместите аппарат в другое место.	—
	Диск загрязнен.	Очистите диск.	11
Слышен “жужжащий” звук.	Неправильно подсоединены кабели.	Надежно подсоедините аудиокабели. Если проблема не устранена, это может быть связано с неисправностью кабелей.	4
Шум от близкорасположенного тюнера.	Тюнер расположен слишком близко к аппарату.	Разместите тюнер и аппарат подальше друг от друга или выключите аппарат.	—
Из лотка диска доносится шум.	Диск может быть деформирован.	Замените диск.	—
Пульт ДУ работает ненадлежащим образом.	Пульт ДУ находится слишком далеко от аппарата или слишком сильно наклонен.	Можно осуществлять управление с помощью пульта ДУ при нахождении в пределах 6 м от аппарата и при наклоне пульта не более 30 градусов по отношению к оси между пультом и передней панелью.	5
	Прямые солнечные лучи или свет (от флуоресцентной лампы инверторного типа и т.д.) попадают на сенсор ДУ данного аппарата.	Измените положение аппарата.	—
	Слабый заряд батареек.	Замените обе батарейки.	5

ТЕХНИЧЕСКИЕ ХАРАКТЕРИСТИКИ

Раздел звуковых характеристик

- Частотная характеристика от 2 Гц до 20 кГц, $\pm 0,5$ дБ
- Гармонические искажения + шум (1 кГц) 0,003 % или меньше
- Соотношение (сигнал-шум) 105 дБ или больше
- Динамический диапазон 96 дБ или больше
- Напряжение на выходе (1 кГц, 0 дБ) $2,0 \pm 0,3$ В

Характеристики диодного лазера

- Материал галлий алюминий-арсенид
- Длина волны 790 нм
- Выходная мощность лазера макс. 1,23 Вт*

* Указанная выходная мощность измерялась на расстоянии приблизительно 200 мм от поверхности линзы объектива на оптическом приемном блоке.

Общие технические характеристики

- Требования по электропитанию
 - Модели для США и Канады 120 В переменного тока, 60 Гц
 - Модель для Австралии ... 240 В переменного тока, 50 Гц
 - Модель для Европы 230 В переменного тока, 50 Гц
 - Модели для Азии и общие модели 110–120/220–240 В переменного тока, 50/60 Гц
- Рабочая температура от +5 С до +35 С
- Потребляемая мощность 16 Вт
- Потребляемая мощность в режиме ожидания менее 0,5 Вт
- Габариты (Ш × В × Д) 435 × 116 × 405 мм
- Вес 6,2 кг

Примите к сведению, что технические характеристики могут быть изменены без предварительного уведомления.

iPod™

“iPod” является товарным знаком корпорации Apple Inc., зарегистрированным в США и других странах. Надпись “Made for iPod” означает, что электронное устройство специально разработано для подключения к устройству iPod и сертифицировано разработчиком для обеспечения соответствия стандартам корпорации Apple. Корпорация Apple не несет ответственности за работу этого устройства и его соответствие установленным стандартам и нормам безопасности.

Limited Guarantee for European Economic Area (EEA) and Switzerland

Thank you for having chosen a Yamaha product. In the unlikely event that your Yamaha product needs guarantee service, please contact the dealer from whom it was purchased. If you experience any difficulty, please contact Yamaha representative office in your country. You can find full details on our website (<http://www.yamaha-hifi.com/> or <http://www.yamaha-uk.com/> for U.K. resident).

The product is guaranteed to be free from defects in workmanship or materials for a period of two years from the date of the original purchase. Yamaha undertakes, subject to the conditions listed below, to have the faulty product or any part(s) repaired, or replaced at Yamaha's discretion, without any charge for parts or labour. Yamaha reserves the right to replace a product with that of a similar kind and/or value and condition, where a model has been discontinued or is considered uneconomic to repair.

Conditions

1. The original invoice or sales receipt (showing date of purchase, product code and dealer's name) **MUST** accompany the defective product, along with a statement detailing the fault. In the absence of this clear proof of purchase, Yamaha reserves the right to refuse to provide free of charge service and the product may be returned at the customer's expense.
2. The product **MUST** have been purchased from an **AUTHORISED** Yamaha dealer within the European Economic Area (EEA) or Switzerland.
3. The product must not have been the subject of any modifications or alterations, unless authorised in writing by Yamaha.
4. The following are excluded from this guarantee:
 - a. Periodic maintenance and repair or replacement of parts due to normal wear and tear.
 - b. Damage resulting from:
 - (1) Repairs performed by the customer himself or by an unauthorised third party.
 - (2) Inadequate packaging or mishandling, when the product is in transit from the customer. Please note that it is the customer's responsibility to ensure the product is adequately packaged when returning the product for repair.
 - (3) Misuse, including but not limited to (a) failure to use the product for its normal purpose or in accordance with Yamaha's instructions on the proper use, maintenance and storage, and (b) installation or use of the product in a manner inconsistent with the technical or safety standards in force in the country where it is used.
 - (4) Accidents, lightning, water, fire, improper ventilation, battery leakage or any cause beyond Yamaha's control.
 - (5) Defects of the system into which this product is incorporated and/or incompatibility with third party products.
 - (6) Use of a product imported into the EEA and/or Switzerland, not by Yamaha, where that product does not conform to the technical or safety standards of the country of use and/or to the standard specification of a product sold by Yamaha in the EEA and/or Switzerland.
5. Where the guarantee differs between the country of purchase and the country of use of the product, the guarantee of the country of use shall apply.
6. Yamaha may not be held responsible for any losses or damages, whether direct, consequential or otherwise, save for the repair or replacement of the product.
7. Please backup any custom settings or data, as Yamaha may not be held responsible for any alteration or loss to such settings or data.
8. This guarantee does not affect the consumer's statutory rights under applicable national laws in force or the consumer's rights against the dealer arising from their sales/purchase contract.

Information for Users on Collection and Disposal of Old Equipment and Used Batteries



These symbols on the products, packaging, and/or accompanying documents mean that used electrical and electronic products and batteries should not be mixed with general household waste.

For proper treatment, recovery and recycling of old products and used batteries, please take them to applicable collection points, in accordance with your national legislation and the Directives 2002/96/EC and 2006/66/EC.



By disposing of these products and batteries correctly, you will help to save valuable resources and prevent any potential negative effects on human health and the environment which could otherwise arise from inappropriate waste handling.



For more information about collection and recycling of old products and batteries, please contact your local municipality, your waste disposal service or the point of sale where you purchased the items.

[Information on Disposal in other Countries outside the European Union]

These symbols are only valid in the European Union. If you wish to discard these items, please contact your local authorities or dealer and ask for the correct method of disposal.



Note for the battery symbol (bottom two symbol examples):

This symbol might be used in combination with a chemical symbol. In this case it complies with the requirement set by the Directive for the chemical involved.

Pb

Garantie Limitée pour l'Espace Économique Européenne et la Suisse

Merci d'avoir porté votre choix sur un produit Yamaha. Dans l'hypothèse où vous devriez recourir au service de notre garantie après-vente, veuillez contacter votre revendeur Yamaha. Si vous rencontrez la moindre difficulté, n'hésitez pas à contacter directement Yamaha dans votre pays de résidence. Vous pouvez trouver toutes informations complémentaires sur notre site Web (<http://www.yamaha-hifi.com/> ou <http://www.yamaha-uk.com/> pour les résidents au Royaume-Uni).

Yamaha garantit votre produit contre tout défaut de fabrication, pièces et main d'oeuvre, pour une durée de 2 ans à compter de la première date de vente au détail. Yamaha s'engage, dans les conditions décrites ci-après, à procéder à la réparation du produit défectueux (ou d'un quelconque de ses composants) ou à son remplacement à l'appréciation de Yamaha en prenant à sa charge les coûts relatifs aux pièces détachées et à la main d'oeuvre. Yamaha se réserve le droit de remplacer le produit par un modèle semblable, de par sa valeur et ses caractéristiques, dès lors que la commercialisation dudit produit a cessé ou bien lorsque sa réparation s'avère économiquement injustifiée.

Conditions

1. La facture d'achat originelle ou un justificatif d'achat correspondant (indiquant la date d'achat, la référence du produit et le nom du revendeur) DOIT accompagner le produit défectueux, ainsi qu'une description précise du dysfonctionnement constaté. En l'absence de cette preuve d'achat, Yamaha ne réserve le droit de refuser le service de la garantie et le produit peut être restitué aux frais du consommateur.
2. Le produit DOIT avoir été acheté par un distributeur agréé Yamaha au sein de l'Espace Economique Européen ou en Suisse.
3. Le produit doit n'avoir fait l'objet d'aucune modification ou altération, sauf accord écrit de Yamaha.
4. Les cas suivants font obstacle à l'application de la garantie :
 - a. Entretien périodique et réparation ou remplacement de pièces ayant subi une usure ou défaillance normale.
 - b. Dommages résultant de :
 - (1) Réparation effectuée par le consommateur lui-même ou par un tiers non autorisé.
 - (2) Emballage ou manutention inadéquats lors du transport du produit pour réparation. Veuillez noter qu'il est de la responsabilité de l'expéditeur de s'assurer que le produit est correctement emballé.
 - (3) Utilisation non-conforme du produit, correspondant aux cas non limitatifs (a) d'utilisation non-conforme à l'objet normal du produit ou non-conforme aux instructions d'utilisation, de maintenance ou d'installation publiées par Yamaha, (b) ou d'utilisation du produit incompatible avec les normes techniques ou de sécurité en vigueur au sein du pays d'utilisation.
 - (4) Accidents, foudre, dégât des eaux, incendie, ventilation incorrecte, fuite de pile ou toute autre cause échappant au contrôle de Yamaha.
 - (5) Les défauts de la configuration dans laquelle ce produit est incorporé et/ou l'incompatibilité avec des produits tiers.
 - (6) Produit importé au sein de l'EEE, et/ou en Suisse, par une autre entité que Yamaha, dès lors que ce produit n'est pas conforme aux normes techniques ou de sécurité du pays d'utilisation et/ou aux normes des produits commercialisés par Yamaha au sein de l'EEE et/ou en Suisse.
5. Lorsque la garantie diffère entre le pays d'achat et le pays d'utilisation du produit, la garantie du pays d'utilisation est applicable.
6. Yamaha ne saurait être tenu pour responsable de quelconques pertes ou dommages, directs, consécutifs ou autres, sa responsabilité au titre de la garantie étant strictement limitée à la réparation ou au remplacement du produit.
7. Nous vous invitons à sauvegarder toutes les données ou réglages personnalisés de votre produit, Yamaha ne pouvant être tenu responsable de leur modification ou perte.
8. La présente garantie laisse intégralement subsister les droits que le consommateur peut détenir au titre de la garantie légale en vigueur ou au titre du contrat de vente conclu avec son revendeur.

Information concernant la Collecte et le Traitement des piles usagées et des déchets d'équipements électriques et électroniques



Les symboles sur les produits, l'emballage et/ou les documents joints signifient que les produits électriques ou électroniques usagés ainsi que les piles ne doivent pas être mélangés avec les déchets domestiques habituels. Pour un traitement, une récupération et un recyclage appropriés des déchets d'équipements électriques et électroniques et des piles usagées, veuillez les déposer aux points de collecte prévus à cet effet, conformément à la réglementation nationale et aux Directives 2002/96/EC et 2006/66/EC.



En vous débarrassant correctement des déchets d'équipements électriques et électroniques et des piles usagées, vous contribuerez à la sauvegarde de précieuses ressources et à la prévention de potentiels effets négatifs sur la santé humaine qui pourraient advenir lors d'un traitement inapproprié des déchets.



Pour plus d'informations à propos de la collecte et du recyclage des déchets d'équipements électriques et électroniques et des piles usagées, veuillez contacter votre municipalité, votre service de traitement des déchets ou le point de vente où vous avez acheté les produits.



[Information sur le traitement dans d'autres pays en dehors de l'Union Européenne]

Ces symboles sont seulement valables dans l'Union Européenne. Si vous souhaitez vous débarrasser de déchets d'équipements électriques et électroniques ou de piles usagées, veuillez contacter les autorités locales ou votre fournisseur et demander la méthode de traitement appropriée.

Pb

Note pour le symbole « pile » (deux exemples de symbole ci-dessous) :

Ce symbole peut être utilisé en combinaison avec un symbole chimique. Dans ce cas il respecte les exigences établies par la Directive pour le produit chimique en question.

Begrenzte Garantie für den Europäischen Wirtschaftsraum (EWR) und die Schweiz

Herzlichen Dank, dass Sie sich für ein Yamaha Produkt entschieden haben. In dem unwahrscheinlichen Fall, dass die Garantie für das Yamaha-Produkt in Anspruch genommen werden muss, wenden Sie sich bitte an den Händler, bei dem es gekauft wurde. Sollten Sie auf Schwierigkeiten stoßen, wenden Sie sich bitte an die Yamaha Repräsentanz in Ihrem Land. Auf unserer Internetseite (<http://www.yamaha-hifi.com/> oder <http://www.yamaha-uk.com/> für Einwohner Großbritanniens) finden Sie alle Einzelheiten.

Wir garantieren für einen Zeitraum von zwei Jahren ab ursprünglichem Kaufdatum, dass dieses Produkt frei von Verarbeitungs- oder Materialfehlern ist. Yamaha verpflichtet sich, gemäß der nachstehend angeführten Bedingungen, ein fehlerhaftes Produkt (oder Teile desselben) kostenfrei (gilt für Teile und Arbeit) zu reparieren oder auszutauschen. Diese Entscheidung obliegt ausschließlich Yamaha. Yamaha behält sich vor, das Produkt gegen ein in Art und/oder Wert und Zustand ähnliches Produkt auszutauschen, wenn das entsprechende Modell nicht mehr erzeugt wird, oder die Reparatur als unrentabel angesehen wird.

Bedingungen

1. Dem defekten Produkt MUSS die Originalrechnung oder der Originalkaufbeleg (der Beleg muss das Kaufdatum, den Produkt-Code und den Namen des Händlers aufweisen) beigelegt werden, ebenso eine Fehlerbeschreibung. Bei Fehlen einer eindeutigen Kaufbestätigung behält sich Yamaha das Recht vor, den kostenfreien Service abzulehnen und das Produkt auf Kosten des Kunden zu retournieren.
2. Das Produkt MUSS von einem AUTORISIERTEN Yamaha-Händler innerhalb des Europäischen Wirtschaftsraums (EWR) oder der Schweiz gekauft worden sein.
3. Es wurden keine wie auch immer gearteten Änderungen am Produkt vorgenommen, außer diese wurden von Yamaha schriftlich genehmigt.
4. Folgendes ist von der Garantie ausgeschlossen:
 - a. Regelmäßige Wartung und Reparatur oder Austausch von Verschleißteilen.
 - b. Schaden durch:
 - (1) Vom Kunden selber oder von nichtbefugten Dritten ausgeführte Reparaturen.
 - (2) Unsachgemäße Verpackung oder Handhabung während des Transports vom Kunden. Beachten Sie bitte, dass die sachgerechte Verpackung des zur Reparatur gebrachten Produkts in der Verantwortung des Retournierenden liegt.
 - (3) Unsachgemäße Verwendung, einschließlich der, jedoch nicht beschränkt auf, (a) die Verwendung des Produkts zu anderen als den normalen Zwecken oder Behandlung entgegen die Anweisungen Yamahas zur korrekten Handhabung, Wartung oder Lagerung und (b) die Installation oder Verwendung des Produkts auf andere Weise als dies den technischen oder Sicherheitsstandards jenes Landes entspricht, in dem das Produkt verwendet wird.
 - (4) Unfälle, Blitzschlag, Wasser, Feuer, ungeeignete Belüftung, Auslaufen der Batterie oder jedem anderen Grund, den Yamaha nicht beeinflussen kann.
 - (5) Defekte an jenem System, an welches dieses Produkt angeschlossen wird und/oder die Inkompatibilität mit Produkten anderer Hersteller.
 - (6) Die Verwendung eines nicht von Yamaha in den EWR und/oder die Schweiz importierten Produkts, wenn dieses Produkt nicht den technischen oder Sicherheitsstandards jenes Landes, in dem es verwendet wird, und/oder der standardisierten Produktspezifikation für von Yamaha im EWR und/oder der Schweiz vertriebene Produkte, entspricht.
5. Wenn es Unterschiede in den Garantiebedingungen zwischen jenem Land in dem das Produkt gekauft wurde, und jenem in dem das Produkt verwendet wird, finden die Garantiebedingungen jenes Landes Anwendung, in dem das Produkt verwendet wird.
6. Yamaha kann für keinerlei Verluste oder Schäden, ob direkt, in Konsequenz oder anderweitig, verantwortlich gemacht werden, außer bezüglich der Reparatur oder des Ersatzes eines Produkts.
7. Legen Sie bitte Kopien aller persönlichen Einstellungen und Daten an, da Yamaha weder für irgendwelche Änderungen noch für den Verlust solcher Daten verantwortlich gemacht werden kann.
8. Diese Garantie beeinflusst nicht die gesetzlichen Verbraucherrechte unter dem geltenden nationalen Recht oder die Verbraucherrechte gegenüber dem Händler, die durch einen Kaufvertrag entstehen.

Verbraucherinformation zur Sammlung und Entsorgung alter Elektrogeräte und Benutzter Batterien



Befinden sich diese Symbole auf den Produkten, der Verpackung und/oder beiliegenden Unterlagen, so sollten benutzte elektrische Geräte und Batterien nicht mit dem normalen Haushaltsabfall entsorgt werden. In Übereinstimmung mit Ihren nationalen Bestimmungen und den Richtlinien 2002/96/EC und 2006/66/EC, bringen Sie alte Geräte und benutzte Batterien bitte zur fachgerechten Entsorgung, Wiederaufbereitung und Wiederverwendung zu den entsprechenden Sammelstellen.



Durch die fachgerechte Entsorgung der Elektrogeräte und Batterien helfen Sie, wertvolle Ressourcen zu schützen und verhindern mögliche negative Auswirkungen auf die menschliche Gesundheit und die Umwelt, die andernfalls durch unsachgerechte Müllentsorgung auftreten könnten.



Für weitere Informationen zum Sammeln und Wiederaufbereiten alter Elektrogeräte und Batterien, kontaktieren Sie bitte Ihre örtliche Stadt- oder Gemeindeverwaltung, Ihren Abfallentsorgungsdienst oder die Verkaufsstelle der Artikel.



[Entsorgungsinformation für Länder außerhalb der Europäischen Union]

Diese Symbole gelten nur innerhalb der Europäischen Union. Wenn Sie solche Artikel aufräumen möchten, kontaktieren Sie bitte Ihre örtlichen Behörden oder Ihren Händler und fragen Sie nach der sachgerechten Entsorgungsmethode.

Anmerkung zum Batteriesymbol (untere zwei Symbolbeispiele):

Dieses Symbol kann auch in Kombination mit einem chemischen Symbol verwendet werden. In diesem Fall entspricht dies den Anforderungen der Richtlinie zur Verwendung chemischer Stoffe.

Pb

Begränsad garanti inom EES-området och Schweiz

Tack för att du har valt en produkt från Yamaha. Var god kontakta återförsäljaren av produkten, om din Yamaha-produkt av någon oförutsedd anledning kräver garantiservice. Var god kontakta Yamahas representantkontor i ditt land, om något problem uppstår. Fullständig information återfinns på vår webbplats (<http://www.yamaha-hifi.com/> eller <http://www.yamaha-uk.com/> för boende i Storbritannien).

Produkten garanteras vara felfri när det gäller utförande och material i en period på två år från ursprungligt inköpsdatum. Yamaha åtar sig att, i enlighet med nedanstående villkor, reparera, eller efter eget gottfinnande byta ut, en felaktig produkt eller någon av dess delar, utan att debitera för delar eller arbete. Yamaha förbehåller sig rätten att byta ut en produkt mot en av liknande typ och/eller värde och skick, då en viss modell har upphört eller anses oekonomisk att reparera.

Villkor

- Ursprunglig faktura eller ursprungligt försäljningskvitto (där inköpsdatum, produktkod och återförsäljarens namn står angivet) MÅSTE följa med den felaktiga produkten, tillsammans med uppgifter om aktuellt fel. I avsaknad av ett tydligt bevis på inköp förbehåller sig Yamaha rätten att vägra erbjuda avgiftsfri service och produkten kan då komma att återsändas på kundens bekostnad.
- Produkten MÅSTE vara köpt av en AUKTORISERAD Yamaha-återförsäljare i ett EES-land eller Schweiz.
- Produkten får inte ha blivit utsatt för någon modifiering eller förändring, såvida inte skriftligt tillstånd för detta erhållits av Yamaha.
- Denna garanti inkluderar ej följande:
 - Periodiskt underhåll och reparation eller utbyte av delar på grund av normal förslitning.
 - Skada orsakad av:
 - Reparation utförd av kunden själv eller av en icke-auktoriserad tredje part.
 - Bristfällig emballering eller ovarsam hantering under transporten av produkten från kunden. Observera att det är kundens ansvar att se till att produkten är ordentligt emballerad, när produkten sänds in för reparation.
 - Felaktig användning, inklusive men ej begränsat till (a) underlåtenhet att använda produkten för dess normala syfte eller i enlighet med Yamahas anvisningar för korrekt användning, underhåll och förvaring och (b) installation eller användning av produkten på ett sätt som är oförenligt med de tekniska eller säkerhetsmässiga normer som gäller i det land där produkten används.
 - Olycka, åska, vatten, brand, dålig ventilation, batteriläckage eller någonting annat utanför Yamahas kontroll.
 - Fel på det system som denna produkt införlivas i och/eller inkompatibilitet med tredje parts produkter.
 - Användning av en produkt importerad till ett EES-land och/eller Schweiz, ej av Yamaha, där den produkten inte är i överensstämmelse med de tekniska eller säkerhetsmässiga normer som gäller i användarlandet och/eller med standardspecifikationen för en produkt såld av Yamaha i EES-området och/eller Schweiz.
- Om garantin skiljer sig åt mellan inköpslandet och användarlandet för produkten, så ska den garanti som gäller i användarlandet tillämpas.
- Yamaha kan ej hållas ansvarigt för några förluster eller skador, vare sig direkta, indirekta eller av annat slag, utom reparationen eller utbytet av produkten.
- Se till att säkerhetskopiera eventuella egna inställningar eller data, eftersom Yamaha inte kan hållas ansvarigt för några ändringar eller förluster av sådana inställningar eller data.
- Denna garanti påverkar ej konsumentens lagstadgade rättigheter enligt gällande nationella lagar eller konsumentens rättigheter gentemot återförsäljaren, vilka uppkommit genom gällande försäljnings/köpekontrakt.

Användarinformation, beträffande insamling och dumpning av gammal utrustning och Använda batterier



De symboler, som finns på produkterna, emballaget och/eller bifogade dokument talar om att de använda elektriska och elektroniska produkterna, samt batterierna, inte ska blandas med allmänt hushållsavfall. För rätt handhavande, återställande och återvinning av gamla produkter och gamla batterier, vänligen medtag dessa till lämpliga insamlingsplatser, i enlighet med din nationella lagstiftning och direktiven 2002/96/EC samt 2006/66/EC.



Genom att slänga dessa produkter och batterier på rätt sätt, kommer du att hjälpa till att rädda värdefulla resurser och förhindra möjliga negativa effekter på mänsklig hälsa och miljö, vilka i annat fall skulle kunna uppstå, p.g.a. felaktig sophantering.



För mer information om insamling och återvinning av gamla produkter och batterier, vänligen kontakta din lokala kommun, ditt sophanteringsföretag eller inköpsstället för dina varor.

[Information om sophantering i andra länder utanför EU]

Dessa symboler gäller endast inom EU. Om du vill slänga dessa föremål, vänligen kontakta dina lokala myndigheter eller försäljare och fråga efter det korrekta sättet att slänga dem.



Kommentar ang. batterisymbolen (de två nedersta symbolexemplen):

Denna symbol kan komma att användas i kombination med en kemisk symbol. I detta fall överensstämmer den med de krav, som har ställts genom direktiven för den aktuella kemikalien.

Pb

Garanzia limitata per l'Area Economica Europea (AEE) e la Svizzera

Vi ringraziamo per aver scelto un prodotto Yamaha. Nel caso raro in cui il vostro prodotto abbia bisogno di riparazioni in garanzia, entrare in contatto con il negozio in cui era stato acquistato. Se si avessero difficoltà, entrare in contatto con il rappresentante di Yamaha per il proprio paese. Sono disponibili maggiori dettagli nel nostro sito (<http://www.yamaha-hifi.com/> o <http://www.yamaha-uk.com/>, per i residenti nel Regno Unito).

Il prodotto viene garantito esente da difetti di fabbricazione e di materiali per un periodo di due anni a partire dalla data di acquisto originale. Yamaha si impegna, entro i limiti delle condizioni illustrate di seguito, a riparare (o sostituire, a discrezione esclusiva di Yamaha) il prodotto difettoso o qualsiasi sua parte senza alcun addebito per le parti o per il lavoro. Yamaha si riserva il diritto di sostituire un prodotto con uno di tipo, valore e/o condizione simile nel caso un modello particolare non sia più in produzione o sia considerato troppo costoso da riparare.

Condizioni della garanzia

- La fattura o ricevuta originale di pagamento (recante la data di acquisto, il numero di codice del prodotto e il nome del negozio di acquisto) DEVE accompagnare sempre il prodotto difettoso unita ad una dichiarazione descrittiva del problema accusato. In mancanza di prova esaustiva dell'avvenuto acquisto, Yamaha si riserva in diritto di rifiutare di fornire riparazioni gratuite ed il prodotto può venire restituito a spese dell'utente.
- Il prodotto DEVE esser stato acquistato da un rivenditore Yamaha AUTORIZZATO all'interno dell'Area Economica Europea (AEE) o in Svizzera.
- Il prodotto non deve esser modificato o alterato se non dietro autorizzazione scritta di Yamaha.
- Quanto segue viene escluso dalla presente garanzia:
 - Manutenzione periodica e riparazioni o sostituzione di pezzi dovute a normale invecchiamento.
 - Danni risultato di:
 - Riparazioni eseguite dal cliente stesso o da terze parti non autorizzate.
 - Imballaggio o trattamento inadeguato nel corso della spedizione del prodotto da parte del cliente. Tener presente che, al momento dell'invio del prodotto per riparazioni, è responsabilità del cliente l'assicurarsi che questo sia imballato adeguatamente.
 - L'uso scorretto, compresi ma senza limitazioni (a) il mancato uso del prodotto per il suo scopo previsto o in accordo con le istruzioni di Yamaha per l'uso corretto, la manutenzione e la conservazione e (b) l'installazione o uso del prodotto in modo non conforme agli standard tecnici e di sicurezza in vigore nel paese di uso.
 - Gli incidenti, i fulmini, l'acqua, gli incendi, la ventilazione scorretta, la perdita di acido dalle batterie o qualsiasi altra causa non sotto il controllo di Yamaha.
 - Difetti di un sistema nel quale il prodotto è stato incorporato e/o incompatibilità con prodotti di terze parti.
 - L'uso di un prodotto importato nella AEE e/o in Svizzera, non prodotto da Yamaha, nel caso il prodotto non sia conforme agli standard tecnici di sicurezza del paese di uso e/o alle caratteristiche tecniche standard dei prodotti Yamaha da vendersi nell'AEE e/o in Svizzera.
- Dove i termini della garanzia differiscono fra il paese di acquisto e il paese di uso del prodotto, vale la garanzia del paese di uso.
- Yamaha non può venire considerata responsabile di perdite o danni, diretti, indiretti, consequenziali o di altro tipo, se non in termini di riparazione o sostituzione del prodotto.
- Fare una copia di riserva di impostazioni o dati personalizzati, dato che Yamaha non può venire considerata responsabile di qualsiasi alterazione o perdita di tali impostazioni o dati.
- Questa garanzia non influenza i diritti statuari dell'utente stabiliti dalle leggi applicabili in vigore o i diritti sul negoziante derivanti dal contratto di vendita/acquisto.

Informazioni per gli utenti sulla raccolta e lo smaltimento di vecchia attrezzatura e batterie Usate



Questi simboli sui prodotti, sull'imballaggio, e/o sui documenti che li accompagnano significano che i prodotti e le batterie elettriche e elettroniche non dovrebbero essere mischiati con i rifiuti domestici generici.

Per il trattamento, recupero e riciclaggio appropriati di vecchi prodotti e batterie usate, li porti, prego, ai punti di raccolta appropriati, in accordo con la Sua legislazione nazionale e le direttive 2002/96/CE e 2006/66/CE.



Smaltendo correttamente questi prodotti e batterie, Lei aiuterà a salvare risorse preziose e a prevenire alcuni potenziali effetti negativi sulla salute umana e l'ambiente, che altrimenti potrebbero sorgere dal trattamento improprio dei rifiuti.

Per ulteriori informazioni sulla raccolta e il riciclaggio di vecchi prodotti e batterie, prego contatti la Sua amministrazione comunale locale, il Suo servizio di smaltimento dei rifiuti o il punto vendita dove Lei ha acquistato gli articoli.



[Informazioni sullo smaltimento negli altri Paesi al di fuori dell'Unione europea]

Questi simboli sono validi solamente nell'Unione europea. Se Lei desidera disfarsi di questi articoli, prego contatti le Sue autorità locali o il rivenditore e richiedi la corretta modalità di smaltimento.

Pb

Noti per il simbolo della batteria (sul fondo due esempi di simbolo):

È probabile che questo simbolo sia usato in combinazione con un simbolo chimico. In questo caso è conforme al requisito stabilito dalla direttiva per gli elementi chimici contenuti.

Garantía limitada para el Área Económica Europea (AEE) y Suiza

Gracias por haber elegido un producto Yamaha. En el caso poco probable de que su producto Yamaha necesite el servicio que concede la garantía, póngase en contacto por favor con el concesionario a quien adquirió el producto. Si usted tiene alguna dificultad, póngase en contacto por favor con la oficina representativa de Yamaha en su país. Podrá encontrar todos los detalles necesarios en nuestros sitios Web (<http://www.yamaha-hifi.com/> o <http://www.yamaha-uk.com/> para los residentes del Reino Unido).

El producto tiene una garantía de dos años, a partir de la fecha de la compra original, que cubre las reparaciones de las averías que pueda tener debido a defectos en la mano de obra o en los materiales empleados en su fabricación. Yamaha se compromete, sujeto a las condiciones listadas más abajo, a reparar el producto o cualquier pieza (o piezas) que tenga defectos, o a sustituirlo, a discreción de Yamaha, sin cobrar ningún honorario por las piezas o la mano de obra. Yamaha se reserva el derecho de reemplazar un producto por otro de clase y/o precio y condiciones similares, en el caso de que éste no se fabrique más o se considere que las reparaciones resultan poco económicas.

Condiciones de la garantía

1. El producto defectuoso DEBERÁ ir acompañado de la factura o recibo de venta original (que muestre la fecha de la compra, el código del producto y el nombre del concesionario), junto con una explicación que describa detalladamente la avería. Si falta esta prueba clara de la compra, Yamaha se reserva el derecho a no proveer el servicio de reparaciones gratis, y el producto podrá ser devuelto al cliente corriendo éste con todos los gastos relacionados con el envío.
2. El producto DEBERÁ haber sido adquirido en el establecimiento de un concesionario Yamaha AUTORIZADO dentro del Área Económica Europea (AEE) o Suiza.
3. El producto no deberá haber sido sometido a ninguna modificación ni alteración, a menos que ésta haya sido autorizada por escrito por Yamaha.
4. De esta garantía se excluye lo siguiente:
 - a. El mantenimiento periódico y la reparación o sustitución de piezas debidos al desgaste natural.
 - b. Los daños debidos a:
 - (1) Reparaciones realizadas por el propio cliente o por un tercero que no cuente con ninguna autorización.
 - (2) Embalaje inadecuado o maltrato, cuando el producto está siendo transportado desde el lugar de residencia del cliente. Tenga en cuenta que el cliente es el responsable de embalar el producto adecuadamente cuando éste es devuelto para ser reparado.
 - (3) Mal uso, incluyendo, pero sin limitarse a: (a) no usar el producto de forma normal o no seguir las instrucciones de uso, mantenimiento y almacenamiento apropiadas indicadas por Yamaha, y (b) instalación o uso del producto de forma inconsistente con las normas técnicas o de seguridad vigentes en el país donde éste se utiliza.
 - (4) Accidentes, rayos, agua, fuego, ventilación inadecuada, fuga de pilas o cualquier otra causa fuera del control de Yamaha.
 - (5) Defectos del sistema en el que se incorpora este producto e/o incompatibilidad con productos de terceros.
 - (6) Uso de un producto importado en la AEE y/o Suiza, no por Yamaha, donde ese producto no cumple con las normas técnicas o de seguridad del país donde se usa y/o con la especificación estándar de un producto vendido por Yamaha en la AEE y/o en Suiza.
5. Cuando las garantías del país donde se compra el producto y del país donde éste se usa son diferentes se aplicará la garantía del país donde se usa el producto.
6. Yamaha no se hará responsable de ninguna pérdida o daño directo, emergente o de cualquier otro tipo; sólo se hará responsable de la reparación o sustitución del producto.
7. Haga una copia de seguridad de cualquier configuración o datos personalizados, ya que Yamaha no se hará responsable de ninguna alteración o pérdida que tal configuración o datos puedan sufrir.
8. Esta garantía no afecta a los derechos legales del consumidor bajo las leyes nacionales aplicables vigentes, ni a los derechos del consumidor contra el concesionario surgidos de su contrato de venta/compra.

Información para Usuarios sobre Recolección y Disposición de Equipamiento Viejo y Baterías Usadas



Estos símbolos en los productos, embalaje, y/o documentación que se acompañe significan que los productos electrónicos y eléctricos usados y las baterías usadas no deben ser mezclados con desechos hogareños corrientes.

Para el tratamiento, recuperación y reciclado apropiado de los productos viejos y las baterías usadas, por favor llévelos a puntos de recolección aplicables, de acuerdo a su legislación nacional y las directivas 2002/96/EC y 2006/66/EC.



Al disponer de estos productos y baterías correctamente, ayudará a ahorrar recursos valiosos y a prevenir cualquier potencial efecto negativo sobre la salud humana y el medio ambiente, el cual podría surgir de un inapropiado manejo de los desechos.



Para mayor información sobre recolección y reciclado de productos viejos y baterías, por favor contacte a su municipio local, su servicio de gestión de residuos o el punto de venta en el cual usted adquirió los artículos.



[Información sobre la Disposición en otros países fuera de la Unión Europea]

Estos símbolos sólo son válidos en la Unión Europea. Si desea deshacerse de estos artículos, por favor contacte a sus autoridades locales y pregunte por el método correcto de disposición.

Pb

Nota sobre el símbolo de la batería (ejemplos de dos símbolos de la parte inferior):

Este símbolo podría ser utilizado en combinación con un símbolo químico. En este caso el mismo obedece a un requerimiento dispuesto por la Directiva para el elemento químico involucrado.

Beperkte garantie voor de Europese Economische Ruimte en Zwitserland

Hartelijk dank dat u een Yamaha-product hebt gekozen. In het onwaarschijnlijke geval dat uw Yamaha-product tijdens de garantie dient te worden gerepareerd, dient u contact op te nemen met de dealer bij wie u het hebt gekocht. Indien u moeilijkheden ervaart, gelieve dan contact op te nemen met de vertegenwoordiging van Yamaha in uw land. U vindt de gegevens op onze website (<http://www.yamaha-hifi.com/> of <http://www.yamaha-uk.com/> voor inwoners van het V.K.).

Er wordt gegarandeerd dat het product vrij is van gebreken in fabricage en materialen voor een periode van twee jaren te rekenen vanaf de originele aankoop. Yamaha zorgt ervoor, met inachtneming van onderstaande voorwaarden, dat een product dat gebreken vertoont wordt gerepareerd of dat om het even welke onderdelen worden gerepareerd of vervangen (naar goeddunken van Yamaha) zonder kosten voor de onderdelen of werkuren. Yamaha behoudt zich het recht voor om een product te vervangen door een gelijkwaardig met dezelfde eigenschappen en waarde, indien een model niet meer leverbaar is of het onrendabel is dit te repareren.

Voorwaarden

- De originele factuur of de kassabon (met vermelding van de aankoopdatum, de productcode en de naam van de dealer) MOET worden gevoegd bij het product dat gebreken vertoont, samen met een verklaring waaruit het gebrek blijkt. Ingeval van afwezigheid van dit duidelijk aankoopbewijs, behoudt Yamaha zich het recht voor om gratis service te weigeren en kan het product op kosten van de klant worden teruggezonden.
- Het product MOET zijn gekocht bij een ERKENDE Yamaha dealer binnen de Europese Economische Ruimte (EEA) of Zwitserland.
- Het product mag geen wijzigingen of veranderingen hebben ondergaan, tenzij deze schriftelijk door Yamaha werden toegestaan.
- Het volgende is van garantie uitgesloten:
 - Regelmatig onderhoud of reparaties of vervanging van onderdelen vanwege normale slijtage.
 - Schade die voortkomt uit:
 - Reparaties uitgevoerd door de klant zelf of een ongemachtigde derde.
 - Een onjuiste verpakking of oneigenlijk gebruik wanneer het product door de klant wordt verstuurd. Het is belangrijk te weten dat het de verantwoordelijkheid is van diegene die het product terugstuurt dat het product adequaat is ingepakt wanneer hij of zij het product terugstuurt met het oog op reparatie.
 - Oneigenlijk gebruik, met inbegrip van maar niet beperkt tot (a) verzuim om het product voor normale doeleinden te gebruiken of te gebruiken overeenkomstig de instructies van Yamaha met betrekking tot eigenlijk gebruik, onderhoud en opslag, en (b) installatie of gebruik van het product op een manier die niet overeenkomt met de van toepassing zijnde technische of veiligheidsnormen in de landen van gebruik.
 - Ongevallen, blikseminslag, waterschade, brandschade, een onjuiste ventilatie, lekkende batterijen of een oorzaak die buiten de controle van Yamaha ligt.
 - Gebreken aan het systeem waarin het product wordt ingebouwd en/of onverenigbaarheid met derde producten.
 - Gebruik van een product dat in de Europese Economische Ruimte en/of Zwitserland werd ingevoerd, maar niet door Yamaha, en dat niet voldoet aan de technische of veiligheidsnormen van het land van gebruik en/of de standaardspecificaties van producten die door Yamaha in de Europese Economische Ruimte en/of Zwitserland worden verkocht.
- Indien de garantie verschilt tussen het land van aankoop en het land van gebruik, zal de garantie van het land van gebruik van toepassing zijn.
- Yamaha kan niet aansprakelijk worden gesteld voor verlies of beschadiging, hetzij rechtstreeks of onrechtstreeks of anders, behalve voor de reparatie of vervanging van het product.
- Maak kopieën van douaneformulieren of gegevens omdat Yamaha niet aansprakelijk kan worden gesteld voor om het even welke wijzigingen aan of verlies van dergelijke formulieren en gegevens.
- Deze garantie heeft noch invloed op de statutaire rechten van klanten die van toepassing zijn binnen het kader van de nationale wetgevingen, noch op de rechten van klanten ten opzichte van de dealer die voortkomen uit hun overeenkomst tot verkoop/aankoop.

Informatie voor gebruikers van inzameling en verwijdering van oude apparaten en Gebruikte batterijen



Deze tekens op de producten, verpakkingen en/of bijgaande documenten betekent dat gebruikte elektrische en elektronische producten en batterijen niet mogen worden gemengd met algemeen huishoudelijk afval. Breng alstublieft voor de juiste behandeling, herwinning en hergebruik van oude producten en gebruikte batterijen deze naar daarvoor bestemde verzamelpunten, in overeenstemming met uw nationale wetgeving en de instructies 2002/96/EC en 2006/66/EC.



Door deze producten en batterijen juist te rangschikken, helpt u het redden van waardevolle rijkdommen en voorkomt u mogelijke negatieve effecten op de menselijke gezondheid en de omgeving, welke zich zou kunnen voordoen door ongepaste afvalverwerking.



Voor meer informatie over het inzamelen en hergebruik van oude producten en batterijen kunt u contact opnemen met uw plaatselijke gemeente, uw afvalverwerkingsbedrijf of het verkooppunt waar u de artikelen heeft gekocht.



[Informatie over verwijdering in ander landen buiten de Europese Unie]

Deze symbolen zijn alleen geldig in de Europese Unie. Mocht u artikelen weg willen gooien, neem dan alstublieft contact op met uw plaatselijke overheidsinstantie of dealer en vraag naar de juiste manier van verwijderen.

Pb

Opmerking bij het batterij teken (onderkant twee tekens voorbeelden):

Dit teken wordt mogelijk gebruikt in combinatie met een chemisch teken. In dat geval voldoet het aan de eis en de richtlijn, welke is opgesteld voor het betreffende chemisch product.

Информация для пользователей по сбору и утилизации старой аппаратуры и Использованных батареек



Эти знаки на аппаратуре, упаковках и в сопроводительных документах указывают на то, что подержанные электрические и электронные приборы и батарейки не должны выбрасываться вместе с обычным домашним мусором.

Для правильной обработки, хранения и утилизации старой аппаратуры и использованных батареек пожалуйста сдавайте их в соответствующие сборные пункты, согласно вашему национальному законодательству и директив 2002/96/ЕС и 2006/66/ЕС.



При правильном отделении этих товаров и батареек, вы помогаете сохранять ценные ресурсы и предотвращать вредное влияние на здоровье людей и окружающую среду, которое может возникнуть из-за несоответствующего обращения с отходами.

За более подробной информацией о сборе и утилизации старых товаров и батареек пожалуйста обращайтесь в вашу локальную администрацию, в ваш приёмный пункт или в магазин где вы приобрели эти товары.



[Информация по утилизации в других странах за пределами Европейского Союза]

Эти знаки действительны только на территории Европейского Союза. Если вы хотите избавиться от этих предметов, пожалуйста обратитесь в вашу локальную администрацию или продавцу и спросите о правильном способе утилизации.

Pb

Обратите внимание на знак для батареек (два знака на задней стороне):

Этот знак может использоваться в комбинации со знаком указывающим о содержании химикалий. В этом случае это удовлетворяет требованиям установленными Директивой по использованию химикалий.

