

# *T-S500*

---

## *Tuner*

OWNER'S MANUAL  
MODE D'EMPLOI  
BEDIENUNGSANLEITUNG  
BRUKSANVISNING  
MANUALE DI ISTRUZIONI  
MANUAL DE INSTRUCCIONES  
GEBRUIKSAANWIJZING  
ИНСТРУКЦИЯ ПО ЭКСПЛУАТАЦИИ

# CAUTION: READ THIS BEFORE OPERATING YOUR UNIT.

- 1 To assure the finest performance, please read this manual carefully. Keep it in a safe place for future reference.
- 2 Install this unit in a well ventilated, cool, dry, clean place – away from direct sunlight, heat sources, vibration, dust, moisture, and/or cold. For proper ventilation, allow the following minimum clearances.  
Top : 10 cm (4 in)  
Rear: 10 cm (4 in)
- 3 Locate this unit away from other electrical appliances, motors, or transformers to avoid humming sounds.
- 4 Do not expose this unit to sudden temperature changes from cold to hot, and do not locate this unit in an environment with high humidity (i.e. a room with a humidifier) to prevent condensation inside this unit, which may cause an electrical shock, fire, damage to this unit, and/or personal injury.
- 5 Avoid installing this unit where foreign objects may fall onto this unit and/or this unit may be exposed to liquid dripping or splashing. On the top of this unit, do not place:
  - Other components, as they may cause damage and/or discoloration on the surface of this unit.
  - Burning objects (i.e. candles), as they may cause fire, damage to this unit, and/or personal injury.
  - Containers with liquid in them, as they may fall and liquid may cause electrical shock to the user and/or damage to this unit.
- 6 Do not cover this unit with a newspaper, tablecloth, curtain, etc. in order not to obstruct heat radiation. If the temperature inside this unit rises, it may cause fire, damage to this unit, and/or personal injury.
- 7 Do not plug in this unit to a wall outlet until all connections are complete.
- 8 Do not operate this unit upside-down. It may overheat, possibly causing damage.
- 9 Do not use force on switches, knobs and/or cords.
- 10 When disconnecting the power cable from the wall outlet, grasp the plug; do not pull the cable.
- 11 Do not clean this unit with chemical solvents; this might damage the finish. Use a clean, dry cloth.
- 12 Only voltage specified on this unit must be used. Using this unit with a higher voltage than specified is dangerous and may cause fire, damage to this unit, and/or personal injury. Yamaha will not be held responsible for any damage resulting from use of this unit with a voltage other than specified.
- 13 To prevent damage by lightning, keep the power cable and outdoor antennas disconnected from a wall outlet or the unit during a lightning storm.
- 14 Do not attempt to modify or fix this unit. Contact qualified Yamaha service personnel when any service is needed. The cabinet should never be opened for any reasons.
- 15 When not planning to use this unit for long periods of time (i.e. vacation), disconnect the AC power plug from the wall outlet.
- 16 Install this unit near the AC outlet and where the AC power plug can be reached easily.
- 17 Be sure to read the “TROUBLESHOOTING” section on common operating errors before concluding that this unit is faulty.
- 18 Before moving this unit, press POWER to turn off this unit and then disconnect the AC power plug from the wall outlet.

## WARNING

TO REDUCE THE RISK OF FIRE OR ELECTRIC SHOCK, DO NOT EXPOSE THIS UNIT TO RAIN OR MOISTURE.

As long as this unit is connected to the AC wall outlet, it is not disconnected from the AC power source even if you turn off this unit by POWER.

# CONTENTS

## PREPARATION

<b>CONTROLS AND FUNCTIONS .....</b>	<b>2</b>
Front panel .....	2
Controlling this unit with a remote control.....	2
<b>CONNECTIONS .....</b>	<b>3</b>

## OPERATIONS

<b>TUNING .....</b>	<b>4</b>
Automatic tuning .....	4
Manual tuning .....	4
Selecting preset stations.....	4
<b>PRESETTING STATIONS .....</b>	<b>5</b>
Automatic station preset (FM stations only) .....	5
Manual station preset .....	5
Clearing the preset station .....	5
Receiving Radio Data System information (FM stations only) .....	6
TP Search function (FM stations only).....	7

## ADDITIONAL INFORMATION

<b>TROUBLESHOOTING .....</b>	<b>8</b>
<b>SPECIFICATIONS .....</b>	<b>9</b>

### ■ Features

- 40-station FM/AM preset tuning
- Automatic station preset (FM stations only)
- Radio Data System text information display capability
- 2-line information message display

### ■ Supplied accessories

Please check that you have received all of the following parts.

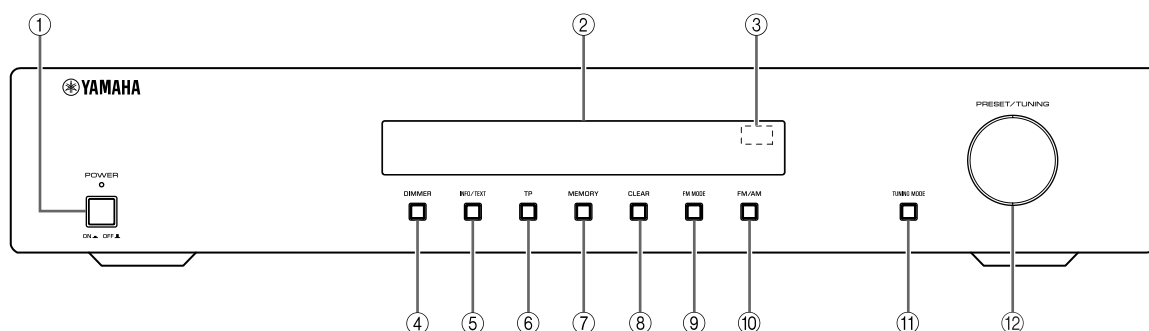
- Indoor FM antenna
- AM loop antenna
- RCA stereo cable

### ■ About this manual

- ☞ indicates a tip for your operation.
- This manual is printed prior to production. Design and specifications are subject to change in part as a result of improvements, etc. In case of differences between the manual and the product, the product has priority.

# CONTROLS AND FUNCTIONS

## Front panel



### ① POWER

Press to turn on/off this unit.



The POWER indicator above lights up when this unit is turned on.

### ② Front panel display

Displays information of the currently tuned FM or AM radio station or the operational status.

### ③ TP indicator lamp

Lights up when a Traffic Program (TP) station is received (see page 7).

### ④ DIMMER

Changes brightness level of the front panel display. Choose brightness from 4 levels by pressing this button repeatedly.



This setting is retained even if you turn off this unit.

### ⑤ INFO/TEXT

Turns on and changes the Radio Data System display mode (see page 6).

### ⑥ TP

Searches automatically for a station broadcasting a traffic program (TP) (see page 7).

### ⑦ MEMORY

Sets this unit to the preset station memory mode when this unit is in the FM/AM tuning mode (see page 5).

### ⑧ CLEAR

Clears the preset stations (see page 5).

### ⑨ FM MODE

Switches the FM radio wave reception mode (stereo or monaural) when this unit is in the FM tuning mode (see page 4).

### ⑩ FM/AM

Selects the reception band (FM or AM).

### ⑪ TUNING MODE

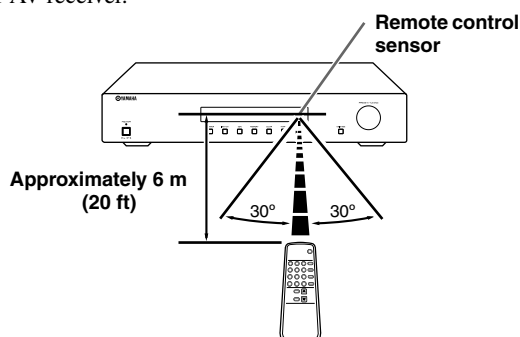
Selects the tuning mode (automatic, manual, or preset tuning) when this unit is in the FM/AM tuning mode (see page 4).

### ⑫ PRESET/TUNING

- Selects the preset FM or AM stations or services when this unit is in the preset tuning mode.
- Selects the FM or AM stations or services when this unit is not in the preset tuning mode.

## Controlling this unit with a remote control

This unit has a remote control sensor. It receives signals from a remote control provided with a Yamaha amplifier or AV receiver.



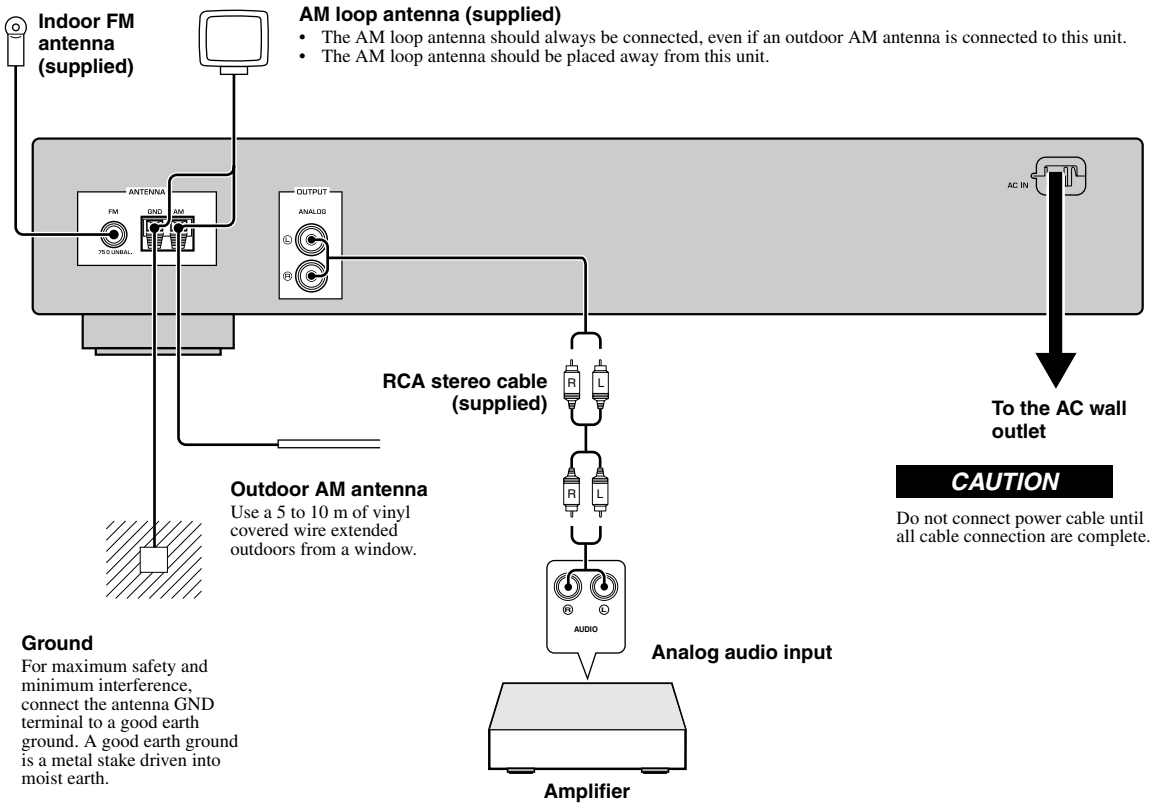
### Notes

- Do not place any large obstacles between the remote control and this unit.
- If the remote control sensor is directly illuminated by strong lighting (especially an inverter type fluorescent lamp), you may not be able to control this unit using the remote control. In this case, reposition this unit to avoid direct lighting.

# CONNECTIONS

**Note**

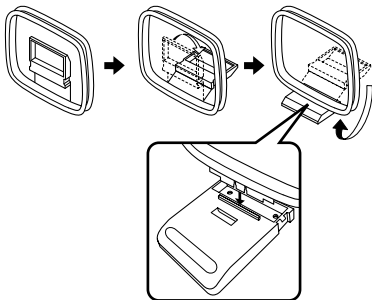
If you experience poor reception quality, install an outdoor antenna. Consult the nearest authorized Yamaha dealer or service center about outdoor antennas.



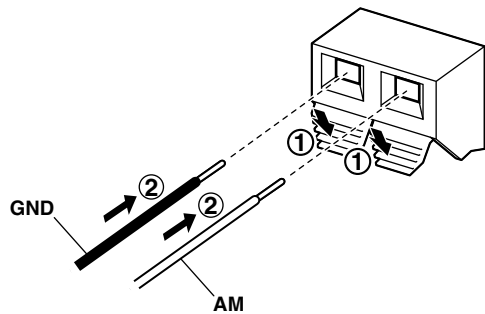
**Ground**

For maximum safety and minimum interference, connect the antenna GND terminal to a good earth ground. A good earth ground is a metal stake driven into moist earth.

■ **Assembling the supplied AM loop antenna**



■ **Connecting the wire of the AM loop antenna**



# TUNING

## Automatic tuning

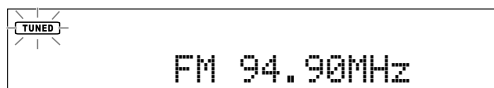
Automatic tuning is effective when station signals are strong and there is no interference.

- 1 Press FM/AM repeatedly to select the reception band (FM/AM).
- 2 Press TUNING MODE to select "Auto tune".



◀ Auto tune ▶  
FM 87.50MHz

- 3 Turn PRESET/TUNING to begin automatic tuning.  
When this unit is tuned into a station, the TUNED indicator lights up and the frequency of the station is shown on the front panel display.



If the station provides Radio Data System information, the program service information will be shown on the front panel display.

## Manual tuning

If the signal from the station you want to select is weak, tune into it manually.

- 1 Press FM/AM repeatedly to select the reception band (FM/AM).
- 2 Press TUNING MODE repeatedly to select "Manual tune".



◀ Manual tune ▶  
FM 87.50MHz

- 3 Turn PRESET/TUNING to select the desired frequency.  
When this unit is tuned into a station, the TUNED indicator lights up.

## Selecting preset stations

You can tune into any desired station simply by selecting the preset station number.

### Note

See the next page to preset stations.

- 1 Press TUNING MODE repeatedly to select "Preset tune".
- 2 Turn PRESET/TUNING to select the desired preset station number.

### Improving FM reception

If the signal from the station is weak and the sound quality is not good, set the FM radio wave reception mode to the monaural tuning mode to improve reception.

Press FM MODE repeatedly to select "AUTO STEREO" (stereo mode) or "MONO" (monaural mode) when this unit is tuned into an FM radio station.

- When this unit is in the stereo tuning mode, the STEREO indicator lights up on the front panel display.
- When this unit is in the monaural tuning mode, the STEREO indicator goes off.

### Note

Even if this unit is in the stereo tuning mode, the STEREO indicator does not light up when the current program is monaural.

# PRESETTING STATIONS

You can tune into stations easily by storing (presetting) and recalling them. This function enables this unit to preset up to 40 FM and AM stations.

## Automatic station preset (FM stations only)

### Note

To preset AM stations, see “Manual station preset” below.

**1 Press FM/AM repeatedly to select the reception band (FM).**

**2 Press and hold MEMORY for more than 3 seconds.**

“Auto Preset” flashes on the front panel display. This unit starts searching the stations with strong signals and stores them automatically.



When automatic station preset is completed, this unit tunes into the station preset to “01”.

### Notes

- Only FM stations with sufficient signal strength are stored automatically. To store a station with weak signal strength, store it manually. See “Manual station preset” below.
- When you rerun “Automatic station preset”, all of the preset data will be deleted and new preset data will be set to each preset number.
- If no station is found, the search ends and this unit returns to the previous station tuned in before the search.

## Manual station preset

**1 Tune into the desired FM/AM station.**

See page 4 for tuning instructions.

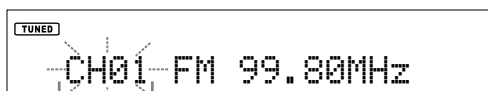
**2 Press MEMORY.**

The preset station number flashes on the front panel display for 5 seconds.

### Note

Perform the next operation within 5 seconds after pressing MEMORY.

**3 Turn PRESET/TUNING to select the desired preset station number while the preset station number flashes.**



Preset station number

### Note

Perform the next operation within 5 seconds after selecting the preset station number.

**4 Press MEMORY again to confirm the preset.**

### Notes

- When you preset a new station to an existing preset number, new preset data will overwrite the existing preset data.
- The reception mode (stereo or monaural) is stored along with the station frequency.

## Clearing the preset station

Follow the steps below to clear a preset station one at a time.

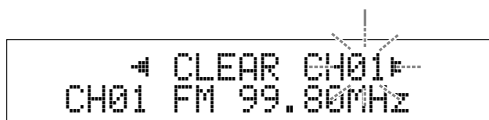
**1 Select the desired preset station number.**

See “Selecting preset stations” on page 4.

**2 Press CLEAR.**

The selected preset station number flashes on the front panel display.

Flashes



If you do not perform the next operation within 5 seconds, the clearing is canceled.

**3 Press CLEAR to confirm.**

“PresetXX Cleared” (XX indicates the preset number) appears on the front panel display.



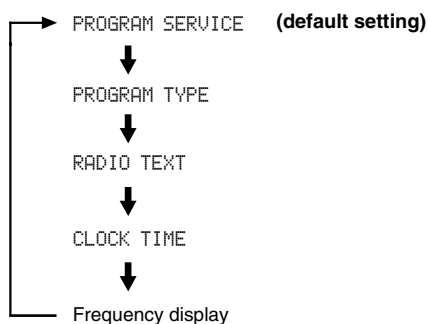
To clear all preset stations, press and hold CLEAR for 3 seconds. “ALL CLEAR” appears on the front panel display.

## Receiving Radio Data System information (FM stations only)

Radio Data System is a data transmission system used by FM stations in many countries. This unit can receive four types of Radio Data System data information: Program Service, Program Type, Radio Text, and Clock Time.

### 1 Tune into the desired Radio Data System broadcasting station.

### 2 Press INFO/TEXT repeatedly to select the desired Radio Data System display mode.



- Select “PROGRAM SERVICE” to display the name of the Radio Data System program currently being received.
- Select “PROGRAM TYPE” to display the type of the Radio Data System program currently being received.
- Select “RADIO TEXT” to display the information on the Radio Data System program currently being received.
- Select “CLOCK TIME” to display the current time.

When you select “PROGRAM TYPE,” the following program type names are displayed.

Program type	Description
News	News
Current Affairs	Current affairs
Information	General information
Sport	Sports
Education	Education
Drama	Drama
Cultures	Cultures
Science	Science
Varied Speech	Varied Speech
Pop Music	Pop Music

Rock Music	Rock Music
Easy Listening	Easy Listening
Light Classics M	Light Classical Music
Serious Classics	Serious Classical Music
Other Music	Other Music
Weather & Metr	Weather & Meteorology
Finance	Finance
Children's Progs	Children's Program
Social Affairs	Social Affairs
Religion	Religion
Phone In	Phone In
Travel & Touring	Travel & Touring
Leisure & Hobby	Leisure & Hobby
Jazz Music	Jazz Music
Country Music	Country Music
National Music	National Music
Oldies Music	Oldies Music
Folk Music	Folk Music
Documentary	Documentary
Alarm Test	Alarm Test
Alarm-Alarm!	Alarm-Alarm!

### Notes

- It may take a while for this unit to receive all of the Radio Data System data from the station.
- If the signals being received are not strong enough, this unit may not be able to utilize the Radio Data System data. In particular, the “RADIO TEXT” mode requires a large amount of data and may not be available even when the other Radio Data System display modes are available.
- In case of poor reception condition, press FM MODE to select the monaural reception mode (see page 4).
- If the signal strength is weakened by external interference while this unit is receiving the Radio Data System data, the reception may be cut off unexpectedly.
- When the “RADIO TEXT” mode is selected, this unit can display the program information by a maximum of 128 alphanumeric characters, including the umlaut symbol. Unavailable characters are displayed with the “\_” (underscore). The displayed information scrolls continuously.



## ***TP Search function (FM stations only)***

This unit can automatically search Radio Data System stations that are broadcasting a traffic program(TP).

### **Press TP.**

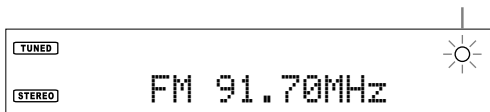
“TP SEARCH ►” flashes on the front panel display for 3 seconds and search starts automatically.

**Flashes**



When a TP station is received, TP indicator lamp lights up and TP search finishes.

**TP indicator lamp**



If the station provides Radio Data System information, the program service information will be shown on the front panel display.

To search the next TP station, press TP.

### **Notes**

- Press TP during TP search to cancel.
- If no TP Stations are found, “NO TP STATION” appears on the front panel display and this unit returns to the state before searching.

# TROUBLESHOOTING

Refer to the table below when this unit does not function properly. If the problem you are experiencing is not listed below or if the instruction below does not help, turn off this unit, disconnect the power cable, and contact the nearest authorized Yamaha dealer or service center.

## ■ Tuner

Problem		Cause	Remedy	See page
FM	FM stereo reception is noisy.	The characteristics of FM stereo broadcasts may cause this problem when the transmitter is too far away or the antenna input is poor.	Check the antenna connections.	3
			Try using a high-quality directional FM antenna.	—
	There is distortion, and clear reception cannot be obtained even with a good FM antenna.	There is multi-path interference.	Adjust the antenna position to eliminate multi-path interference.	—
	The desired station cannot be tuned into with the automatic tuning method.	The signal is too weak.	Use a high-quality directional FM antenna.	—
			Use the manual tuning method.	4
The Radio Data System information does not appear.	The Radio Data System information is not provided by the radio station.			
	The signal is too weak.	Use a high-quality directional FM antenna.	—	
AM	The desired station cannot be tuned into with the automatic tuning method.	The signal is weak or the antenna connections are loose.	Tighten the AM loop antenna connections and orient it for the best reception.	—
			Use the manual tuning method.	4
	There are continuous crackling and hissing noises.	Noise can result from lightning, fluorescent lamps, motors, thermostats and other electrical equipment.	Use an outdoor antenna and a ground wire. This will help somewhat, but it is difficult to eliminate all noise.	—
	There are buzzing and whining noises.	A TV set is being used nearby.	Move this unit away from the TV set.	—

## ■ General

Problem		Cause	Remedy	See page
This unit fails to turn on when POWER is pressed.		The power cord is not connected or the plug is not completely inserted.	Connect the power cord firmly.	3
		This unit has been exposed to a strong external electric shock (such as lightning or strong static electricity).	Disconnect the power cord, plug it back in after 30 seconds, then use it normally.	—
A “humming” sound can be heard.	Incorrect cable connections.	Firmly connect the audio connection cord plugs. If the problem persists, the cables may be defective.	—	
This unit does not operate properly.	The internal microcomputer has been frozen by an external electric shock (such as lightning or excessive static electricity) or by a power supply with low voltage.	Disconnect the AC power plug from the outlet and then plug it in again after about 30 seconds.	3	

# SPECIFICATIONS

## AUDIO SECTION

- Output Level/Impedance (fixed)
  - FM (40 kHz Dev., 1kHz) ..... 1.0 V/1.2 k $\Omega$
  - AM (30% mod., 1 kHz) ..... 0.36 V/1.2 k $\Omega$

## FM SECTION

- Tuning Range ..... 87.50 to 108.00 MHz
- 50 dB Quieting Sensitivity (IHF, 100% mod.)
  - Mono ..... 3  $\mu$ V (20.2 dBf)
- Usable Sensitivity (Signal to Noise 30 dB)
  - Mono ..... 1.0  $\mu$ V
  - Image Rejection Ratio ..... 80 dB
  - IF Rejection Ratio ..... 70 dB
  - Selectivity (400 kHz) ..... 70 dB
- Signal to Noise Ratio (IHF)
  - Mono/Stereo ..... 80 dB/75 dB
- Harmonic Distortion (1 kHz)
  - Mono/Stereo ..... 0.3%/0.5%
- Stereo Separation (40 kHz Dev.)
  - 1 kHz ..... 43 dB
- Frequency response (20 Hz to 15 kHz) ..... -3 dB
- Antenna Input (unbalanced) ..... 75  $\Omega$

## AM SECTION

- Tuning Range ..... 531 to 1611 kHz
- Usable Sensitivity ..... 300  $\mu$ V/m
- Selectivity ..... 30 dB
- Signal to Noise Ratio ..... 50 dB
- Image Rejection Ratio ..... 35 dB
- Harmonic Distortion ..... 1.0%

## GENERAL

- Power Supply ..... AC 230 V, 50 Hz
- Power Consumption ..... 9 W
- Dimensions (W x H x D) ..... 435 x 87 x 306 mm  
(17 1/8 x 3 3/8 x 12 in)
- Weight ..... 3.2 kg  
(7.1 lbs)

\* Specifications are subject to change without notice.

## Limited Guarantee for European Economic Area (EEA) and Switzerland

Thank you for having chosen a Yamaha product. In the unlikely event that your Yamaha product needs guarantee service, please contact the dealer from whom it was purchased. If you experience any difficulty, please contact Yamaha representative office in your country. You can find full details on our website (<http://www.yamaha-hifi.com/> or <http://www.yamaha-uk.com/> for U.K. resident).

The product is guaranteed to be free from defects in workmanship or materials for a period of two years from the date of the original purchase. Yamaha undertakes, subject to the conditions listed below, to have the faulty product or any part(s) repaired, or replaced at Yamaha's discretion, without any charge for parts or labour. Yamaha reserves the right to replace a product with that of a similar kind and/or value and condition, where a model has been discontinued or is considered uneconomic to repair.

### Conditions

1. The original invoice or sales receipt (showing date of purchase, product code and dealer's name) **MUST** accompany the defective product, along with a statement detailing the fault. In the absence of this clear proof of purchase, Yamaha reserves the right to refuse to provide free of charge service and the product may be returned at the customer's expense.
2. The product **MUST** have been purchased from an **AUTHORISED** Yamaha dealer within the European Economic Area (EEA) or Switzerland.
3. The product must not have been the subject of any modifications or alterations, unless authorised in writing by Yamaha.
4. The following are excluded from this guarantee:
  - a. Periodic maintenance and repair or replacement of parts due to normal wear and tear.
  - b. Damage resulting from:
    - (1) Repairs performed by the customer himself or by an unauthorised third party.
    - (2) Inadequate packaging or mishandling, when the product is in transit from the customer. Please note that it is the customer's responsibility to ensure the product is adequately packaged when returning the product for repair.
    - (3) Misuse, including but not limited to (a) failure to use the product for its normal purpose or in accordance with Yamaha's instructions on the proper use, maintenance and storage, and (b) installation or use of the product in a manner inconsistent with the technical or safety standards in force in the country where it is used.
    - (4) Accidents, lightning, water, fire, improper ventilation, battery leakage or any cause beyond Yamaha's control.
    - (5) Defects of the system into which this product is incorporated and/or incompatibility with third party products.
    - (6) Use of a product imported into the EEA and/or Switzerland, not by Yamaha, where that product does not conform to the technical or safety standards of the country of use and/or to the standard specification of a product sold by Yamaha in the EEA and/or Switzerland.
5. Where the guarantee differs between the country of purchase and the country of use of the product, the guarantee of the country of use shall apply.
6. Yamaha may not be held responsible for any losses or damages, whether direct, consequential or otherwise, save for the repair or replacement of the product.
7. Please backup any custom settings or data, as Yamaha may not be held responsible for any alteration or loss to such settings or data.
8. This guarantee does not affect the consumer's statutory rights under applicable national laws in force or the consumer's rights against the dealer arising from their sales/purchase contract.

## Information for Users on Collection and Disposal of Old Equipment and Used Batteries



These symbols on the products, packaging, and/or accompanying documents mean that used electrical and electronic products and batteries should not be mixed with general household waste.

For proper treatment, recovery and recycling of old products and used batteries, please take them to applicable collection points, in accordance with your national legislation and the Directives 2002/96/EC and 2006/66/EC.



By disposing of these products and batteries correctly, you will help to save valuable resources and prevent any potential negative effects on human health and the environment which could otherwise arise from inappropriate waste handling.



For more information about collection and recycling of old products and batteries, please contact your local municipality, your waste disposal service or the point of sale where you purchased the items.

### [Information on Disposal in other Countries outside the European Union]

These symbols are only valid in the European Union. If you wish to discard these items, please contact your local authorities or dealer and ask for the correct method of disposal.



### Note for the battery symbol (bottom two symbol examples):

This symbol might be used in combination with a chemical symbol. In this case it complies with the requirement set by the Directive for the chemical involved.

**Pb**

# ATTENTION : VEUILLEZ LIRE CE QUI SUIT AVANT D'UTILISER L'APPAREIL.

- 1 Pour utiliser l'appareil au mieux de ses possibilités, lisez attentivement ce mode d'emploi. Conservez-le soigneusement pour référence.
- 2 Installez cet ensemble audio dans un endroit frais, bien aéré, sec et propre — veillez à ce qu'il soit à l'abri de la lumière du soleil, des sources de chaleur, des vibrations, des poussières, de l'humidité et du froid. Afin d'assurer une bonne ventilation, ménagéz les espaces minimums suivants :  
Haut : 10 cm  
Arrière : 10 cm
- 3 Placez l'appareil loin des équipements, moteurs et transformateurs électriques, pour éviter les ronflements parasites.
- 4 N'exposez pas l'appareil à des variations brutales de température, ne le placez pas dans un environnement très humide (par exemple dans une pièce contenant un humidificateur) car cela peut entraîner la condensation d'humidité à l'intérieur de l'appareil qui elle-même peut être responsable de décharge électrique, d'incendie, de dommage à l'appareil ou de blessure corporelle.
- 5 Evitez d'installer l'appareil dans un endroit où des objets peuvent tomber, ainsi que là où l'appareil pourrait être exposé à des éclaboussures ou des gouttes d'eau. Sur le dessus de l'appareil, ne placez pas :
  - d'autres appareils qui peuvent endommager la surface de l'appareil ou provoquer sa décoloration.
  - des objets se consumant (par exemple, une bougie) qui peuvent être responsables d'incendie, de dommage à l'appareil ou de blessure corporelle.
  - des récipients contenant des liquides qui peuvent être à l'origine de décharge électrique ou de dommage à l'appareil.
- 6 Ne couvrez pas l'appareil d'un journal, d'une nappe, d'un rideau, etc. car cela empêcherait l'évacuation de la chaleur. Toute augmentation de la température intérieure de l'appareil peut être responsable d'incendie, de dommage à l'appareil ou de blessure corporelle.
- 7 Ne branchez pas la fiche du cordon d'alimentation de l'appareil sur une prise secteur aussi longtemps que tous les raccordements n'ont pas été effectués.
- 8 Ne pas faire fonctionner l'appareil à l'envers. Il risquerait de chauffer et d'être endommagé.
- 9 N'exercez aucune force excessive sur les commutateurs, les boutons et les cordons.
- 10 Pour débrancher la fiche du cordon d'alimentation au niveau de la prise secteur, saisissez la fiche et ne tirez pas sur le cordon.
- 11 Ne nettoyez pas l'appareil au moyen d'un solvant chimique, ce qui pourrait endommager la finition. Utilisez un chiffon sec et propre.
- 12 N'alimentez l'appareil qu'à partir de la tension prescrite. Alimenter l'appareil sous une tension plus élevée est dangereux et peut être responsable d'incendie, de dommage à l'appareil ou de blessure corporelle. Yamaha ne saurait être tenue responsable des dommages résultant de l'alimentation de l'appareil sous une tension autre que celle prescrite.
- 13 Pour empêcher tout dommage causé par les éclairs, déconnectez le cordon d'alimentation et toute antenne extérieure de la prise murale pendant un orage.
- 14 Ne tentez pas de modifier ni de réparer l'appareil. Consultez le service Yamaha compétent pour toute réparation qui serait requise. Le coffret de l'appareil ne doit jamais être ouvert, quelle que soit la raison.
- 15 Si vous envisagez de ne pas vous servir de l'appareil pendant une longue période (par exemple, pendant les vacances), débranchez la fiche du cordon d'alimentation au niveau de la prise secteur.
- 16 Installez cet appareil à proximité de la prise secteur et à un emplacement où la fiche du câble d'alimentation est facilement accessible.
- 17 Lisez la section intitulée « GUIDE DE DEPANNAGE » où figurent une liste d'erreurs de manipulation communes avant de conclure que l'appareil présente une anomalie de fonctionnement.
- 18 Avant de déplacer l'appareil, appuyez sur POWER pour placer l'appareil en veille puis débranchez la fiche du cordon d'alimentation au niveau de la prise secteur.

## AVERTISSEMENT

POUR RÉDUIRE LES RISQUES D'INCENDIE OU DE DÉCHARGE ÉLECTRIQUE, N'EXPOSEZ PAS CET APPAREIL À LA PLUIE OU À L'HUMIDITÉ.

Tant que cet appareil est raccordé à la prise secteur, il n'est pas déconnecté de son alimentation, même si vous éteignez l'appareil en appuyant sur POWER.

# TABLE DES MATIÈRES

## PRÉPARATIONS

<b>COMMANDES ET FONCTIONS</b> .....	2
Face avant.....	2
Contrôle de cet appareil avec une télécommande.....	2
<b>RACCORDEMENTS</b> .....	3

## OPÉRATIONS

<b>SYNTONISATION</b> .....	4
Syntonisation automatique.....	4
Syntonisation manuelle.....	4
Sélection de stations préréglées.....	4
<b>MISE EN MÉMOIRE DE STATIONS</b> .....	5
Mise en mémoire automatique de stations (stations FM uniquement).....	5
Mise en mémoire manuelle de stations.....	5
Effacement de la station présélectionnée.....	5
Réception des informations Radio Data System (stations FM uniquement).....	6
Fonction de recherche TP (stations FM uniquement).....	7

## INFORMATIONS COMPLÉMENTAIRES

<b>GUIDE DE DÉPANNAGE</b> .....	8
<b>CARACTÉRISTIQUES TECHNIQUES</b> .....	9

PRÉPARATIONS

OPÉRATIONS

INFORMATIONS  
COMPLÉMENTAIRES

### ■ Fonctionnalités


- Mise en mémoire des fréquences de 40 stations FM/AM
- Mise en mémoire automatique de stations (stations FM uniquement)
- Capacité d'affichage des informations texte Radio Data System
- Affichage des messages d'information sur 2 lignes

### ■ Accessoires fournis

Veillez vous assurer que vous possédez bien les éléments suivants.

- Antenne intérieure FM
- Antenne cadre AM
- Câble stéréo RCA

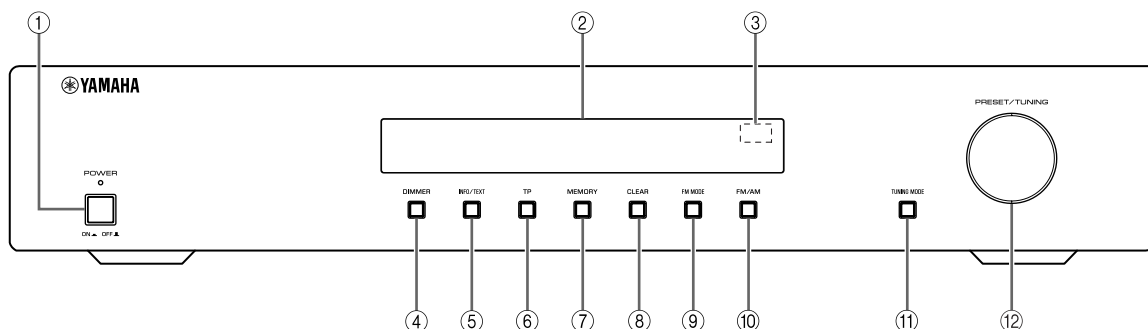
### ■ À propos de ce manuel

- Le symbole  appelle votre attention sur un conseil d'utilisation.
- Ce mode d'emploi a été imprimé avant la fabrication de l'appareil. Dans l'intérêt de l'amélioration du produit, les caractéristiques et/ou l'aspect de cet appareil sont sujets à des modifications, etc. Dans le cas de différences entre le manuel et le produit, le produit prime.

Français

# COMMANDES ET FONCTIONS

## Face avant



### ① POWER

Appuyez pour mettre cet appareil en marche/à l'arrêt.



Le témoin POWER situé au-dessus s'allume lorsque cet appareil est mis sous tension.

### ② Afficheur de la face avant

Affiche des informations concernant la station de radio FM ou AM actuellement syntonisée ou l'état opérationnel.

### ③ Témoin TP

S'allume à la réception d'une station d'Infos trafic (TP) (voir page 7).

### ④ DIMMER

Réglage de l'éclairage de l'afficheur de la face avant. Choisissez parmi 4 niveaux d'éclairage en appuyant sur ce bouton de façon répétée.



Ce réglage est conservé même si vous mettez cet appareil hors tension.

### ⑤ INFO/TEXT

Allume et change le mode d'affichage Radio Data System (voir page 6).

### ⑥ TP

Recherche automatiquement une station émettant des informations trafic (TP) (voir page 7).

### ⑦ MEMORY

Règle cet appareil en mode de mémoire de station présélectionnée lorsque cet appareil est réglé en mode de syntonisation FM/AM (voir page 5).

### ⑧ CLEAR

Libère les stations présélectionnées (voir page 5).

### ⑨ FM MODE

Commute le mode de réception radio FM (stéréo ou monaural) lorsque cet appareil est réglé en mode de syntonisation FM (voir page 4).

### ⑩ FM/AM

Sélectionne la gamme de réception (FM ou AM).

### ⑪ TUNING MODE

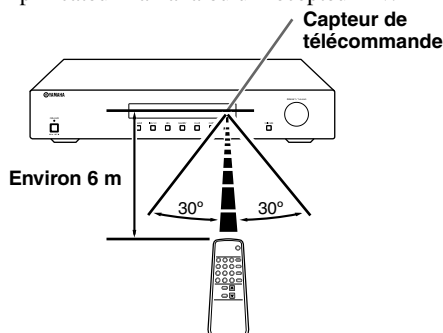
Sélectionne le mode de syntonisation (automatique, manuel, syntonisation présélectionnée) lorsque cet appareil est réglé en mode de syntonisation FM/AM (voir page 4).

### ⑫ PRESET/TUNING

- Sélectionne les stations ou services FM ou AM présélectionnés lorsque cet appareil est dans le mode de syntonisation présélectionné.
- Sélectionne les stations ou services FM ou AM présélectionnés lorsque cet appareil n'est pas réglé en mode de syntonisation présélectionné.

## Contrôle de cet appareil avec une télécommande

Cet appareil est équipé d'un capteur de télécommande. Il reçoit les signaux émis par une télécommande fournie avec un amplificateur Yamaha ou un récepteur AV.



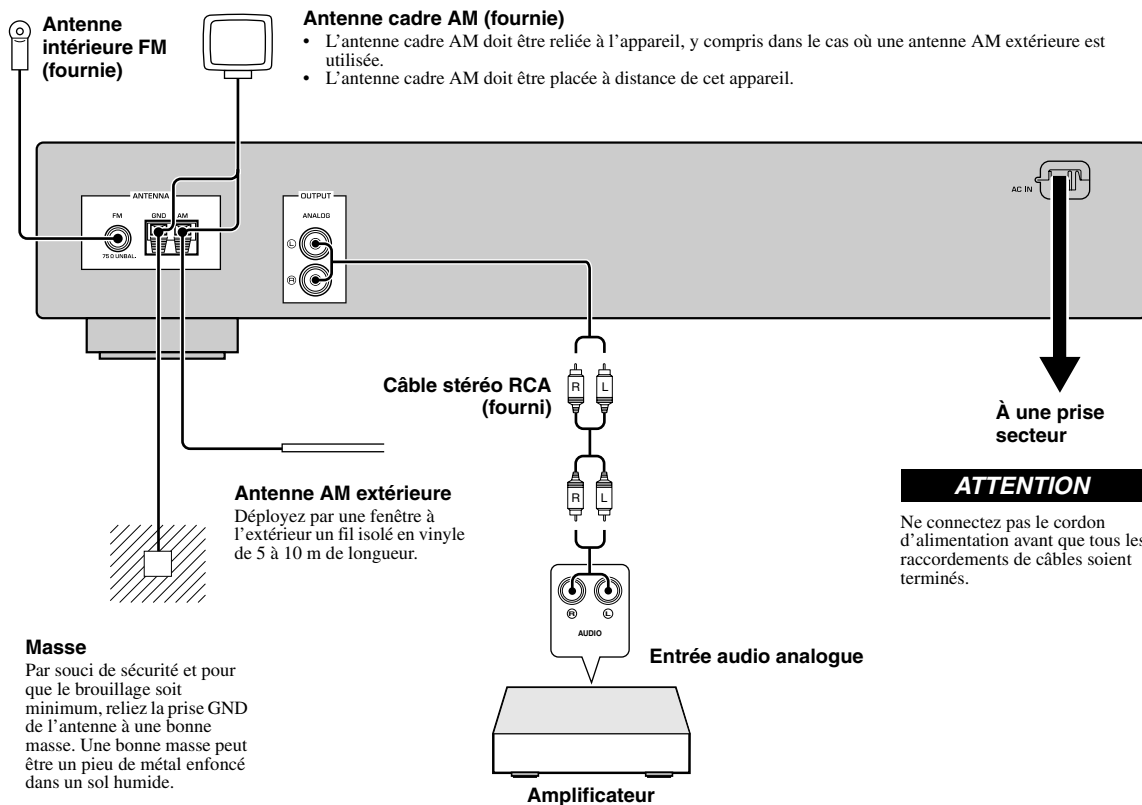
### Remarques

- Ne pas placer d'obstacles de grande taille entre la télécommande et cet appareil.
- Si le capteur de télécommande est directement illuminé par un éclairage puissant (en particulier une lampe fluorescente de type onduleur), il se peut que la télécommande ne fonctionne pas. Dans ce cas, repositionnez cet appareil pour éviter tout éclairage direct.

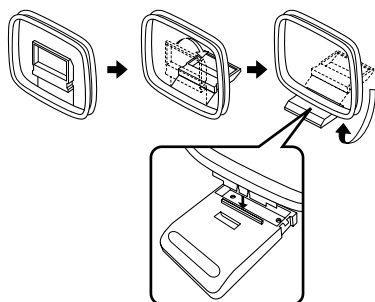
# RACCORDEMENTS

## Remarque

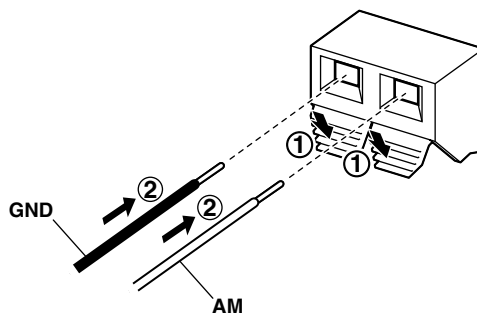
Si la réception devait être mauvaise, installez une antenne extérieure. Pour de plus amples détails concernant cette question, veuillez consulter le revendeur ou le service après-vente Yamaha.



## ■ Assemblage de l'antenne cadre AM fournie



## ■ Raccordement du fil de l'antenne cadre AM





# SYNTONISATION

## Syntonisation automatique

La syntonisation automatique est efficace lorsque les signaux captés sont puissants et qu'il n'y a pas d'interférences.

**1 Appuyez plusieurs fois de suite sur FM/AM afin de sélectionner la gamme de réception (FM/AM).**

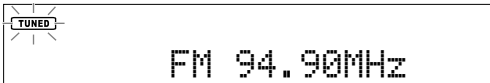
**2 Appuyez sur TUNING MODE pour choisir « Auto tune ».**



◀ Auto tune ▶  
FM 87.50MHz

**3 Allumez PRESET/TUNING pour démarrer la syntonisation automatique.**

Lorsque la syntonisation sur une station est réalisée, le témoin TUNED s'allume et la fréquence de cette station apparaît sur l'afficheur de la face avant.



TUNED  
FM 94.90MHz



Si la station fournit les informations Radio Data System, les informations concernant l'émission apparaissent sur l'afficheur de la face avant.

## Syntonisation manuelle

Si le signal de la station que vous désirez écouter n'est pas assez fort, effectuez une syntonisation manuelle.

**1 Appuyez plusieurs fois de suite sur FM/AM afin de sélectionner la gamme de réception (FM/AM).**

**2 Appuyez plusieurs fois de suite sur TUNING MODE pour choisir « Manual tune ».**



◀ Manual tune ▶  
FM 87.50MHz

**3 Allumez PRESET/TUNING pour choisir la fréquence désirée.**

Lorsque cet appareil a syntonisé une station, le témoin TUNED s'allume.

## Sélection de stations pré-réglées

Vous pouvez facilement syntoniser n'importe quelle station présélectionnée en sélectionnant le numéro de présélection.

### Remarque

Voir la page suivante pour mettre en mémoire les stations.

**1 Appuyez plusieurs fois de suite sur TUNING MODE pour choisir « Preset tune ».**

**2 Allumez PRESET/TUNING pour choisir le numéro de présélection désiré.**

### ■ Amélioration de la réception FM

Si le signal de la station est faible et la qualité du son mauvaise, réglez le mode de réception d'ondes de la radio FM sur la syntonisation monaurale afin d'améliorer la réception.

**Appuyez plusieurs fois sur FM MODE pour sélectionner « AUTO STEREO » (mode stéréo) ou « MONO » (mode monaural) lorsque cet appareil a syntonisé une station FM.**

- Lorsque cet appareil est en mode de syntonisation stéréo, le témoin STEREO s'allume et la fréquence de cette station apparaît sur l'afficheur de la face avant.
- Lorsque cet appareil est en mode de syntonisation mono, le témoin STEREO s'éteint.

### Remarque

Même si cet appareil est en mode de syntonisation stéréo, le témoin STEREO ne s'allume pas si l'émission en cours est de type monaural.

# MISE EN MÉMOIRE DE STATIONS

Vous pouvez facilement syntoniser des stations en les mettant en mémoire (présélection) et en les rappelant. Cette fonction permet à cet appareil de présélectionner plus de 40 stations FM et AM.

## Mise en mémoire automatique de stations (stations FM uniquement)

### Remarque

Pour mettre en mémoire des stations AM, voir « Mise en mémoire manuelle de stations » ci-dessous.

**1 Appuyez plusieurs fois de suite sur FM/AM afin de sélectionner la gamme de réception (FM).**

**2 Maintenez le bouton MEMORY enfoncé pendant au moins 3 secondes.**

« Auto Preset » clignote sur l'affichage de la face avant. Cet appareil démarre la recherche de stations ayant des signaux captés puissants et les met en mémoire automatiquement.



Auto Preset  
CH\_ FM100.05MHz

Lorsque la mise en mémoire automatique de stations est terminée, cet appareil se syntonise sur la station présélectionnée « 01 ».

### Remarques

- Seules les stations FM dont le signal capté est suffisamment puissant sont concernées par la mise en mémoire automatique. Si une station a un faible signal capté, mettez-la manuellement en mémoire. Voir « Mise en mémoire manuelle de stations » ci-dessous.
- Lorsque vous répétez la « Mise en mémoire automatique de stations », toutes les données de présélection sont effacées et de nouvelles données sont sauvegardées sous chaque numéro de présélection.
- Si aucune station n'est trouvée, la recherche se termine et l'appareil retourne à la précédente station syntonisée avant la recherche.

## Mise en mémoire manuelle de stations

**1 Syntoniser la station FM/AM désirée.**

Voir page 4 pour les instructions sur la syntonisation.


**2 Appuyez sur MEMORY.**

Le numéro de présélection de la station s'affiche sur la face avant pendant 5 secondes.

### Remarque

Effectuez l'opération suivante dans les 5 secondes après avoir appuyé sur MEMORY.

**3 Allumez PRESET/TUNING afin de choisir le numéro de présélection de station désiré pendant que le numéro de présélection de station clignote.**



TUNED  
CH01 FM 99.80MHz

Numéro de présélection de station

### Remarque

Effectuez l'opération suivante dans les 5 secondes après avoir sélectionné le numéro présélection.

**4 Appuyez sur MEMORY de nouveau pour confirmer la mise en mémoire.**

### Remarques

- Lorsque vous présélectionnez une nouvelle station sous un numéro de présélection existant, la nouvelle donnée de présélection efface la donnée de présélection existante.
- Le mode de réception (stéréo ou mono) est sauvegardé en même temps que la fréquence de la station.

## Effacement de la station présélectionnée

Suivez les étapes ci-dessous pour effacer chaque station présélectionnée une par une.

**1 Sélectionnez le numéro présélectionné désiré.**  
Voir « Sélection de stations prééglées » sur la page 4.

**2 Appuyez sur CLEAR.**

Le numéro de présélection de station clignote sur la face avant.

Clignote



← CLEAR CH01 →  
CH01 FM 99.80MHz

Si vous n'effectuez pas la prochaine opération dans les 5 secondes, l'opération d'effacement est annulée.

**3 Appuyez sur CLEAR pour confirmer.**

« PresetXX Cleared » (XX indique le numéro de présélection) apparaît sur l'afficheur de la face avant.

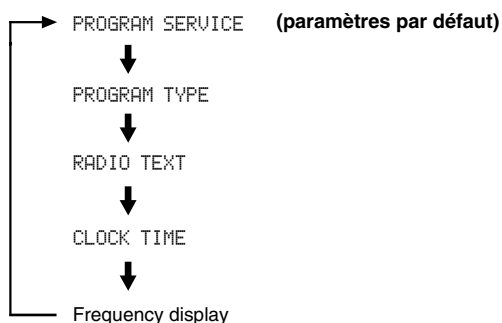


Afin d'effacer toutes les stations présélectionnées, maintenez CLEAR enfoncé pendant 3 secondes. « ALL CLEAR » apparaît sur la face avant.

## Réception des informations Radio Data System (stations FM uniquement)

Le Radio Data System est un système de radiocommunication de données utilisé par les stations FM dans de nombreux pays. Cet appareil peut recevoir quatre types d'informations Radio Data System : Nom d'émission, Type d'émission, Texte Radio, et Heure.

- 1 **Accordez la station Radio Data System souhaitée.**
- 2 **Appuyez plusieurs fois de suite sur INFO/TEXT afin de sélectionner le mode d'affichage Radio Data System désiré.**



- Sélectionnez « PROGRAM SERVICE » pour afficher le nom de l'émission Radio Data System actuellement reçue.
- Sélectionnez « PROGRAM TYPE » pour afficher le type de l'émission Radio Data System actuellement reçue.
- Sélectionnez « RADIO TEXT » pour afficher les informations concernant l'émission Radio Data System actuellement reçue.
- Sélectionnez « CLOCK TIME » pour afficher l'heure actuelle.

Lorsque vous sélectionnez « PROGRAM TYPE », les noms d'émission suivants apparaissent.

Type d'émission	Description
News	Informations
Current Affairs	Émissions à thème
Information	Informations générales
Sport	Sports
Education	Éducation
Drama	Pièces radiophoniques
Cultures	Émissions culturelles
Science	Émissions scientifiques

Varied Speech	Émissions de variétés
Pop Music	Musique populaire
Rock Music	Musique rock
Easy Listening	Musique légère
Light Classics M	Musique classique légère
Serious Classics	Musique classique sérieuse
Other Music	Autres musiques
Weather & Metr	Météorologie
Finance	Finance
Children's Progs	Programmes pour enfants
Social Affairs	Affaires sociales
Religion	Religion
Phone In	Tribune téléphonique
Travel & Touring	Voyage et tourisme
Leisure & Hobby	Loisirs & passe-temps
Jazz Music	Musique jazz
Country Music	Musique country
National Music	Musique nationale
Oldies Music	Musique nostalgique
Folk Music	Musique folk
Documentary	Documentaire
Alarm Test	Test d'alarme
Alarm-Alarm!	Alarme-Alarme !

### Remarques

- Il se peut que l'appareil ne reçoive les données Radio Data System qu'après un certain laps de temps.
- Si les signaux reçus ne sont pas assez forts, l'appareil peut ne pas être en mesure de transmettre les données Radio Data System. Le mode « RADIO TEXT » en particulier, diffuse souvent un grand nombre de données qui ne pourront pas toujours être affichées en même temps que d'autres modes d'affichage Radio Data System.
- En cas de mauvaises conditions de réception, appuyez sur FM MODE pour sélectionner le mode de réception monaural (voir page 4).
- Si le signal est affaibli par des interférences externes lorsque l'appareil reçoit le Radio Data System, il peut être soudainement coupé.
- Lorsque le mode « RADIO TEXT » est sélectionné, le nombre maximal de caractères alphanumériques pouvant être affichés s'élève à 128, symbole de l'umlaut compris. Les caractères ne pouvant pas être retranscrits sont remplacés par « \_ » (soulignement). Les informations affichées défilent en continu.

## Fonction de recherche TP (stations FM uniquement)

Cet appareil peut rechercher automatiquement les stations Radio Data System émettant un programme d'information trafic (TP).

### Appuyez sur TP.

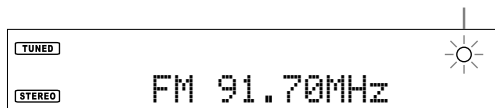
« TP SEARCH ► » clignote pendant 3 secondes sur l'afficheur de la face avant, et la recherche démarre automatiquement.

#### Clignote



À la réception d'une station TP, le témoin TP s'allume, et la recherche TP s'arrête.

#### Témoin TP



Si la station émet des informations Radio Data System, les informations concernant l'émission apparaissent sur l'afficheur de la face avant.

Pour rechercher la station TP suivante, appuyez sur TP.

### Remarque

- Appuyez sur TP durant la recherche TP pour annuler cette dernière.
- Si le système ne détecte aucune station TP, « NO TP STATION » s'affiche sur l'afficheur de la face avant, et l'appareil retourne au mode dans lequel il se trouvait avant la recherche.

# GUIDE DE DÉPANNAGE

Reportez-vous au tableau suivant si l'appareil ne fonctionne pas convenablement. Si le problème que vous rencontrez n'est pas mentionné ci-dessous, ou encore si les actions correctives suggérées sont sans effet, mettez l'appareil hors tension, débranchez la fiche du câble d'alimentation et prenez contact avec le revendeur Yamaha ou le service après-vente de Yamaha.

## ■ Syntoniseur

Anomalies		Causes possibles	Actions correctives	Voyez page
FM	<b>La réception FM en stéréophonie est parasitée.</b>	Les caractéristiques des émissions FM stéréophoniques sont à l'origine de cette anomalie si l'émetteur est trop éloigné, ou encore si le niveau d'entrée sur l'antenne est médiocre.	Vérifiez les raccordements de l'antenne. Tentez d'utiliser une antenne FM directionnelle de bonne qualité.	3 —
	<b>La réception FM est mauvaise, même avec une antenne de bonne qualité.</b>	L'appareil est soumis aux effets de trajets multiples.	Essayez de changer la position de l'antenne pour supprimer les trajets multiples.	—
	<b>Il n'est pas possible d'effectuer la syntonisation automatique sur la station désirée.</b>	Le signal capté est trop faible.	Tentez d'utiliser une antenne FM directionnelle de bonne qualité.	—
			Effectuez la syntonisation manuellement.	4
<b>Les informations Radio Data System n'apparaissent pas.</b>	Les informations Radio Data System ne sont pas fournies par la station de radio.			
	Le signal capté est trop faible.	Tentez d'utiliser une antenne FM directionnelle de bonne qualité.	—	
AM	<b>Il n'est pas possible d'effectuer la syntonisation automatique sur la station désirée.</b>	Le signal capté est trop faible, ou les raccordements de l'antenne sont défectueux.	Resserrez les raccordements de l'antenne cadre AM et orientez-la pour que la réception soit aussi bonne que possible.	—
			Effectuez la syntonisation manuellement.	4
	<b>Des craquements et des sifflements sont produits en permanence.</b>	Ces bruits peuvent être dus à des éclairs, à des lampes fluorescentes, à des moteurs électriques, à des thermostats et à d'autres appareils électriques.	Utilisez une antenne extérieure et une tresse de masse. Cela peut améliorer les choses mais il est souvent difficile de supprimer tous les bruits.	—
<b>Vous entendez des bruits sourds et des couinements.</b>	Un téléviseur est utilisé à proximité.	Éloignez l'appareil du téléviseur.	—	

## ■ Généralités

Anomalies		Causes possibles	Actions correctives	Voyez page
<b>Impossible de mettre cet appareil sous tension lorsque la touche POWER est enfoncée.</b>	La fiche du câble d'alimentation n'est pas convenablement branchée, ou pas branchée du tout.	Branchez soigneusement le câble d'alimentation.	3	
	L'appareil a été soumis à une forte décharge électrique (provoquée par exemple par un orage ou une décharge d'électricité statique).	Mettez l'appareil hors tension, débranchez le câble d'alimentation, puis rebranchez-le environ 30 secondes plus tard et utilisez l'appareil comme d'habitude.	—	
<b>Un « ronflement » se fait entendre.</b>	Les raccordements des câbles sont incorrects.	Branchez soigneusement les prises de raccordement des câbles audio. Si l'anomalie persiste, il se peut que les câbles soient défectueux.	—	
<b>Cet appareil ne fonctionne pas convenablement.</b>	Le microprocesseur interne a cessé de fonctionner du fait d'une décharge électrique (provoquée par un orage ou une décharge d'électricité statique), ou d'une baisse importante de la tension d'alimentation.	Débranchez le câble d'alimentation puis rebranchez-le environ 30 secondes plus tard.	3	

# CARACTÉRISTIQUES TECHNIQUES

## SECTION AUDIO

- Niveau de sortie/impédance (fixe)
  - FM (40 kHz Dev., 1kHz) ..... 1,0 V/1,2 k $\Omega$
  - AM (30% mod., 1 kHz) ..... 0,36 V/1,2 k $\Omega$

## SECTION FM

- Gamme de syntonisation ..... 87,50 à 108,00 MHz
- Seuil de sensation douloureuse à 50 dB (IHF, 100% mod.)
  - Mono ..... 3  $\mu$ V (20,2 dBf)
- Sensibilité utile (Rapport signal/bruit 30 dB)
  - Mono ..... 1,0  $\mu$ V
  - Taux d'affaiblissement sur la fréquence image ..... 80 dB
  - IF Taux d'affaiblissement sur la fréquence ..... 70 dB
  - Sélectivité (400 kHz) ..... 70 dB
- Rapport signal/bruit (IHF)
  - Mono/Stéréo ..... 80 dB/75 dB
- Distorsion harmonique (1 kHz)
  - Mono/Stéréo ..... 0,3%/0,5%
- Séparation stéréo (40 kHz Dev.)
  - 1 kHz ..... 43 dB
- Réponse en fréquence (20 Hz à 15 kHz) ..... -3 dB
- Entrée d'antenne (asymétrique) ..... 75  $\Omega$

## SECTION AM

- Gamme de syntonisation ..... 531 à 1611 kHz
- Sensibilité utile ..... 300  $\mu$ V/m
- Sélectivité ..... 30 dB
- Rapport signal/bruit ..... 50 dB
- Taux d'affaiblissement sur la fréquence image ..... 35 dB
- Distorsion harmonique ..... 1,0%

## GÉNÉRALITÉS

- Tension d'alimentation. .... AC 230 V, 50 Hz
- Consommation propre ..... 9 W
- Dimensions (L x H x P) ..... 435 x 87 x 306 mm
- Poids ..... 3,2 kg

\* Les spécifications peuvent être modifiées sans avis préalable.

## Garantie Limitée pour l'Espace Économique Européen et la Suisse

Merci d'avoir porté votre choix sur un produit Yamaha. Dans l'hypothèse où vous devriez recourir au service de notre garantie après-vente, veuillez contacter votre revendeur Yamaha. Si vous rencontrez la moindre difficulté, n'hésitez pas à contacter directement Yamaha dans votre pays de résidence. Vous pouvez trouver toutes informations complémentaires sur notre site Web (<http://www.yamaha-hifi.com/> ou <http://www.yamaha-uk.com/> pour les résidents au Royaume-Uni).

Yamaha garantit votre produit contre tout défaut de fabrication, pièces et main d'oeuvre, pour une durée de 2 ans à compter de la première date de vente au détail. Yamaha s'engage, dans les conditions décrites ci-après, à procéder à la réparation du produit défectueux (ou d'un quelconque de ses composants) ou à son remplacement à l'appréciation de Yamaha en prenant à sa charge les coûts relatifs aux pièces détachées et à la main d'oeuvre. Yamaha se réserve le droit de remplacer le produit par un modèle semblable, de par sa valeur et ses caractéristiques, dès lors que la commercialisation dudit produit a cessé ou bien lorsque sa réparation s'avère économiquement injustifiée.

### Conditions

1. La facture d'achat originelle ou un justificatif d'achat correspondant (indiquant la date d'achat, la référence du produit et le nom du revendeur) DOIT accompagner le produit défectueux, ainsi qu'une description précise du dysfonctionnement constaté. En l'absence de cette preuve d'achat, Yamaha se réserve le droit de refuser le service de la garantie et le produit peut être restitué aux frais du consommateur.
2. Le produit DOIT avoir été acheté chez un distributeur agréé Yamaha au sein de l'Espace Economique Européen ou en Suisse.
3. Le produit doit n'avoir fait l'objet d'aucune modification ou altération, sauf accord écrit de Yamaha.
4. Les cas suivants font obstacle à l'application de la garantie :
  - a. Entretien périodique et réparation ou remplacement de pièces ayant subi une usure ou défaillance normale.
  - b. Dommages résultant de :
    - (1) réparation effectuée par le consommateur lui-même ou par un tiers non autorisé.
    - (2) emballage ou manutention inadéquats lors du transport du produit pour réparation. Veuillez noter qu'il est de la responsabilité de l'expéditeur de s'assurer que le produit est correctement emballé.
    - (3) utilisation non-conforme du produit, correspondant aux cas non limitatifs (a) d'utilisation non conforme à l'objet normal du produit ou non conforme aux instructions d'utilisation, de maintenance ou d'installation publiées par Yamaha, (b) ou d'utilisation du produit incompatible avec les normes techniques ou de sécurité en vigueur au sein du pays d'utilisation.
    - (4) accidents, foudre, dégât des eaux, incendie, ventilation incorrecte, fuite de pile ou toute autre cause échappant au contrôle de Yamaha.
    - (5) les défauts de la configuration dans laquelle ce produit est incorporé et/ou l'incompatibilité avec des produits tiers.
    - (6) produit importé au sein de l'EEE, et/ou en Suisse, par une autre entité que Yamaha, dès lors que ce produit n'est pas conforme aux normes techniques ou de sécurité du pays d'utilisation et/ou aux normes des produits commercialisés par Yamaha au sein de l'EEE et/ou en Suisse.
5. Lorsque la garantie diffère entre le pays d'achat et le pays d'utilisation du produit, la garantie du pays d'utilisation est applicable.
6. Yamaha ne saurait être tenu pour responsable de quelconques pertes ou dommages, directs, consécutifs ou autres, sa responsabilité au titre de la garantie étant strictement limitée à la réparation ou au remplacement du produit.
7. Nous vous invitons à sauvegarder toutes les données ou réglages personnalisés de votre produit, Yamaha ne pouvant être tenu responsable de leur modification ou perte.
8. La présente garantie laisse intégralement subsister les droits que le consommateur peut détenir au titre de la garantie légale en vigueur ou au titre du contrat de vente conclu avec son revendeur.

### Information concernant la collecte et le traitement des piles usagées et des déchets d'équipements électriques et électroniques



Les symboles sur les produits, l'emballage et/ou les documents joints signifient que les produits électriques ou électroniques usagés ainsi que les piles ne doivent pas être mélangés avec les déchets domestiques habituels. Pour un traitement, une récupération et un recyclage appropriés des déchets d'équipements électriques et électroniques et des piles usagées, veuillez les déposer aux points de collecte prévus à cet effet, conformément à la réglementation nationale et aux Directives 2002/96/EC et 2006/66/EC.



En vous débarrassant correctement des déchets d'équipements électriques et électroniques et des piles usagées, vous contribuerez à la sauvegarde de précieuses ressources et à la prévention de potentiels effets négatifs sur la santé humaine qui pourraient advenir lors d'un traitement inapproprié des déchets.



Pour plus d'informations à propos de la collecte et du recyclage des déchets d'équipements électriques et électroniques et des piles usagées, veuillez contacter votre municipalité, votre service de traitement des déchets ou le point de vente où vous avez acheté les produits.



#### [Information sur le traitement dans d'autres pays en dehors de l'Union Européenne]

Ces symboles sont seulement valables dans l'Union Européenne. Si vous souhaitez vous débarrasser de déchets d'équipements électriques et électroniques ou de piles usagées, veuillez contacter les autorités locales ou votre fournisseur et demander la méthode de traitement appropriée.

**Pb**

#### Note pour le symbole « pile » (les deux symboles du bas) :

Ce symbole peut être utilisé en combinaison avec un symbole chimique. Dans ce cas il respecte les exigences établies par la Directive pour le produit chimique en question.

# VORSICHT: VOR DER BEDIENUNG DIESER GERÄTES DURCHLESEN.

- 1 Um optimales Leistungsvermögen sicherzustellen, lesen Sie bitte die Anleitung aufmerksam durch. Bewahren Sie die Anleitung danach für spätere Nachschlagzwecke sorgfältig auf.
- 2 Installieren Sie dieses Gerät an einem gut belüfteten, trockenen und sauberen Ort, entfernt von direktem Sonnenlicht, Wärmequellen, Erschütterungen, Staub, Feuchtigkeit und/oder Kälte. Beachten Sie folgende Mindestabstände für eine angemessene Belüftung.  
Oberseite: 10 cm  
Rückseite: 10 cm
- 3 Stellen Sie dieses Gerät entfernt von anderen elektrischen Haushaltgeräten, Motoren oder Transformatoren auf, um Brumngeräusche zu vermeiden.
- 4 Setzen Sie dieses Gerät keinen plötzlichen Temperaturänderungen von kalt auf warm aus, und stellen Sie dieses Gerät nicht an Orten mit hoher Luftfeuchtigkeit auf (z.B. in Räumen mit Luftbefeuchtern), um Kondensation im Inneren des Gerätes zu vermeiden, da es anderenfalls zu elektrischen Schlägen, Feuer, Beschädigung dieses Gerätes und/oder zu persönlichen Verletzungen kommen kann.
- 5 Vermeiden Sie die Aufstellung dieses Gerätes an Orten, an welchen Fremdkörper in das Gerät fallen können bzw. an welchen Flüssigkeiten auf das Gerät verschüttet werden können. Stellen Sie auf der Oberseite des Gerätes niemals Folgendes auf:
  - Andere Komponenten, da diese Beschädigung und/oder Verfärbung der Oberfläche dieses Gerätes verursachen können.
  - Brennende Objekte (z.B. Kerzen), da diese Feuer, Beschädigung des Gerätes und/oder persönliche Verletzungen verursachen können.
  - Mit Flüssigkeiten gefüllte Behälter, da diese umfallen und die Flüssigkeit auf das Gerät verschütten können, wodurch es zu elektrischen Schlägen für den Anwender und/oder zu Beschädigung des Gerätes kommen kann.
- 6 Decken Sie dieses Gerät niemals mit Zeitungen, Tischdecken, Vorhängen usw. ab, damit die Wärmeabfuhr nicht behindert wird. Falls die Temperatur im Inneren des Gerätes ansteigt, kann es zu Feuer, Beschädigung des Gerätes und/oder zu persönlichen Verletzungen kommen.
- 7 Schließen Sie dieses Gerät erst an eine Wandsteckdose an, nachdem alle anderen Anschlüsse ausgeführt wurden.
- 8 Stellen Sie dieses Gerät niemals mit der Unterseite nach oben auf, da es sonst beim Betrieb zu Überhitzung mit möglichen Beschädigungen kommen kann.
- 9 Wenden Sie niemals Gewalt bei der Bedienung der Schalter, Knöpfe und/oder Kabel an.
- 10 Wenn Sie das Netzkabel von der Wandsteckdose abtrennen, fassen Sie immer den Netzstecker an; ziehen Sie niemals an dem Kabel.
- 11 Reinigen Sie dieses Gerät niemals mit chemisch behandelten Tüchern; anderenfalls kann das Finish beschädigt werden. Verwenden Sie ein reines, trockenes Tuch.
- 12 Verwenden Sie nur die für dieses Gerät vorgeschriebene Netzspannung. Falls Sie eine höhere als die vorgeschriebene Netzspannung verwenden, kann es zu Feuer, Beschädigung dieses Gerätes und/oder zu persönlichen Verletzungen kommen. Yamaha kann nicht verantwortlich gemacht werden für Schäden, die auf die Verwendung dieses Gerätes mit einer anderen als der vorgeschriebenen Spannung zurückzuführen sind.
- 13 Um Beschädigungen durch Blitzschlag zu vermeiden, achten Sie darauf, dass Netzkabel und Außenantennen nicht mit einer Netzdose oder dem Gerät verbunden sind, wenn es ein Gewitter gibt.
- 14 Versuchen Sie niemals ein Modifizieren oder Ändern dieses Gerätes. Falls eine Wartung erforderlich ist, wenden Sie sich bitte an einen Yamaha-Kundendienst. Das Gehäuse sollte niemals selbst geöffnet werden.
- 15 Falls Sie das Gerät für längere Zeit nicht verwenden (z.B. während der Ferien), ziehen Sie den Netzstecker von der Netzdose ab.
- 16 Stellen Sie dieses Gerät in die Nähe der Steckdose und so auf, dass der Netzstecker gut zugänglich ist.
- 17 Lesen Sie unbedingt den Abschnitt „STÖRUNGSSUCHE“ durch, um übliche Bedienungsfehler zu berichtigen, bevor Sie auf eine Störung des Gerätes schließen.
- 18 Bevor Sie dieses Gerät an einen anderen Ort transportieren, drücken Sie die POWER-Taste, um das Gerät auf den Bereitschaftsmodus zu schalten, und ziehen Sie danach den Netzstecker von der Netzdose ab.

## WARNUNG

UM DIE GEFAHR EINES FEUERS ODER EINES ELEKTROSCHOCKS ZU VERMEIDEN, DARF DAS GERÄT WEDER REGEN NOCH FEUCHTIGKEIT AUSGESETZT WERDEN.

Solange dieses Gerät mit der Netzdose verbunden ist, ist es an die Netzquelle angeschlossen, auch wenn Sie das Gerät mit der POWER-Taste ausschalten.



# INHALTSVERZEICHNIS

## VORBEREITUNG

<b>BEDIENELEMENTE UND FUNKTIONEN .....</b>	<b>2</b>
Frontblende .....	2
Fernbedienung dieses Geräts .....	2
<b>ANSCHLÜSSE .....</b>	<b>3</b>

## BEDIENUNG

<b>ABSTIMMUNG.....</b>	<b>4</b>
Automatische Abstimmung .....	4
Manuelle Abstimmung .....	4
Aufrufen eines Festsenders .....	4
<b>EINSTELLEN VON FESTSENDERN.....</b>	<b>5</b>
Automatische Festsenderspeicherung (nur UKW-Sender) .....	5
Manuelle Festsenderspeicherung .....	5
Löschen eines Festsenders .....	5
Empfangen von Radio Data System-Informationen (nur UKW-Sender) .....	6
TP-Suchfunktion (nur UKW-Sender) .....	7

## ZUSÄTZLICHE INFORMATIONEN

<b>FEHLERBEHEBUNG .....</b>	<b>8</b>
<b>TECHNISCHE DATEN .....</b>	<b>9</b>

VORBEREITUNG

BEDIENUNG

ZUSÄTZLICHE  
INFORMATIONEN

### ■ Merkmale

- Speicherung von 40 UKW-/MW-Festsendern
- Automatische Festsenderspeicherung (nur UKW-Sender)
- Anzeigemöglichkeit für Radio Data System-Textinformationen
- 2-zeiliges Informations-Meldungsdisplay

### ■ Im Lieferumfang enthaltenes Zubehör

Bitte vergewissern Sie sich, dass Sie alle folgenden Teile erhalten haben.

- UKW-Zimmerantenne
- MW-Rahmenantenne
- Stereo-Cinchkabel

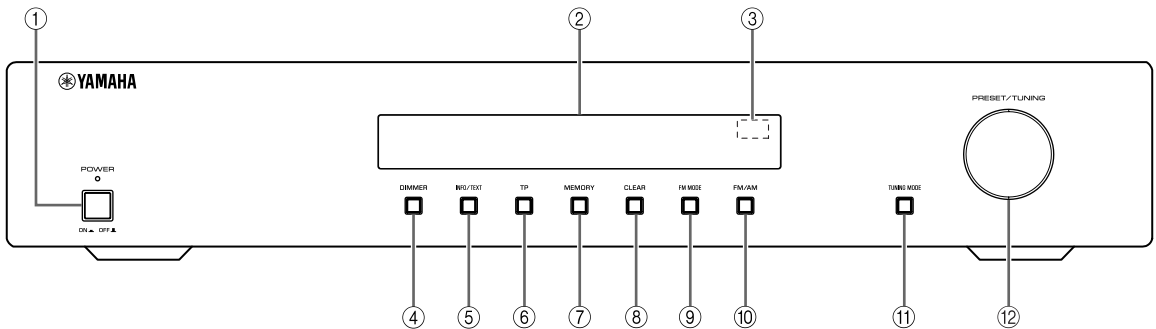
### ■ Über diese Anleitung

- ☼ zeigt einen Tipp für Ihre Bedienung an.
- Diese Anleitung wurde vor der Produktion gedruckt. Änderungen des Designs und der technischen Daten im Sinne ständiger Verbesserungen usw. vorbehalten. Im Fall von Unterschieden zwischen Anleitung und Produkt hat das Produkt Priorität.

Deutsch

# BEDIENELEMENTE UND FUNKTIONEN

## Frontblende



### ① POWER

Drücken, um dieses Gerät ein-/auszuschalten.



Die POWER-Anzeige darüber leuchtet auf, wenn dieses Gerät eingeschaltet wird.

### ② Frontblende-Display

Zeigt Informationen zu dem momentan eingestellten UKW- oder MW-Sender oder zum Bedienstatus an.

### ③ TP-Anzeigelampe

Leuchtet auf, wenn ein Sender mit einem Verkehrsprogramm (TP: Traffic Program) empfangen wird (siehe Seite 7).

### ④ DIMMER

Stellt die Helligkeit des Frontblende-Displays ein. Wählen Sie unter 4 Helligkeitsstufen, indem Sie mehrmals diese Taste drücken.



Diese Einstellung bleibt auch beim Ausschalten dieses Geräts erhalten.

### ⑤ INFO/TEXT

Schaltet den Radio Data System-Anzeigemodus ein und wechselt ihn (siehe Seite 6).

### ⑥ TP

Sucht automatisch nach einem Sender, der ein Verkehrsprogramm (TP) überträgt (siehe Seite 7).

### ⑦ MEMORY

Versetzt dieses Gerät in den Senderspeichermodus, wenn es sich im UKW-/MW-Abstimmungsmodus befindet (siehe Seite 5).

### ⑧ CLEAR

Löscht die gespeicherten Sender (siehe Seite 5).

### ⑨ FM MODE

Schaltet den UKW-Radiowellen-Empfangsmodus um (Stereo oder Mono), wenn sich dieses Gerät im UKW-Abstimmungsmodus befindet (siehe Seite 4).

### ⑩ FM/AM

Wählt den Empfangsbereich aus (UKW oder MW).

### ⑪ TUNING MODE

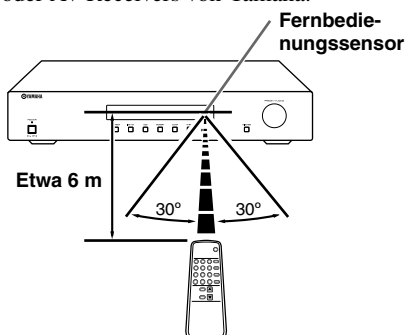
Wählt den Abstimmungsmodus aus (automatisch, manuell oder Festsender), wenn sich dieses Gerät im UKW-/MW-Abstimmungsmodus befindet (siehe Seite 4).

### ⑫ PRESET/TUNING

- Wählt die gespeicherten UKW- oder MW-Sender aus, wenn sich dieses Gerät im Senderspeichermodus befindet.
- Wählt die UKW- oder MW-Sender aus, wenn sich dieses Gerät nicht im Senderspeichermodus befindet.

## Fernbedienung dieses Geräts

Dieses Gerät besitzt einen Fernbedienungssensor. Es empfängt Signale von der Fernbedienung eines Verstärkers oder AV-Receivers von Yamaha.



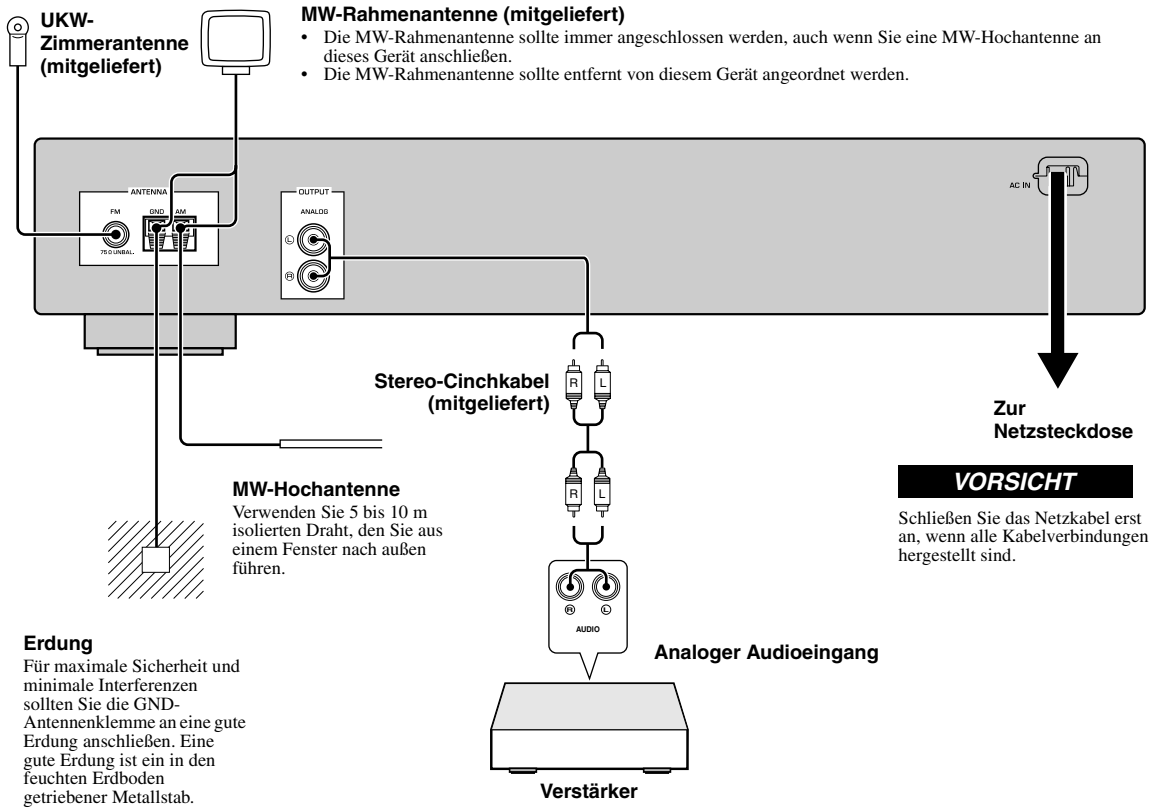
### Hinweise

- Platzieren Sie keine großen Hindernisse zwischen Fernbedienung und Gerät.
- Wenn der Fernbedienungssensor durch starke Beleuchtung direkt angestrahlt wird (insbesondere durch eine Leuchtstofflampe mit Umrichter), kann es sein, dass Sie dieses Gerät nicht mit der Fernbedienung steuern können. Stellen Sie in diesem Fall dieses Gerät so auf, dass eine direkte Anstrahlung vermieden wird.

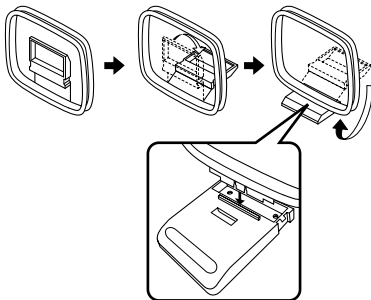
# ANSCHLÜSSE

## Hinweis

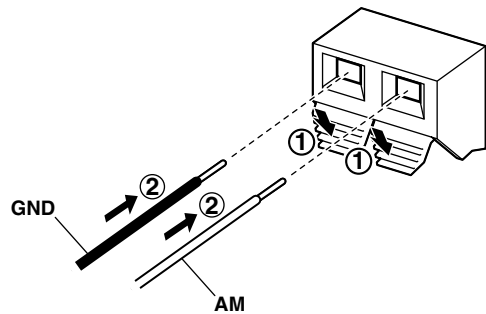
Falls die Empfangsqualität schlecht ist, bringen Sie ein eine Hochantenne an. Wenden Sie sich für Hochantennen den den nächsten autorisierten Yamaha-Fachhändler oder -Kundendienst.



## ■ Montieren der mitgelieferten MW-Rahmenantenne



## ■ Anschluss des MW-Rahmenantennen-Kabels



# ABSTIMMUNG

## Automatische Abstimmung

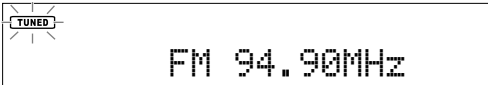
Die automatische Abstimmung ist effektiv, wenn die Signale der Sender stark sind und nicht von anderen überlagert werden.

- 1 Drücken Sie mehrmals FM/AM, um den Empfangsbereich (UKW/MW) zu wählen.
- 2 Drücken Sie TUNING MODE, um „Auto tune“ (automatische Abstimmung) zu wählen.



◀ Auto tune ▶  
FM 87.50MHz

- 3 Drehen Sie PRESET/TUNING, um mit der automatischen Abstimmung zu beginnen.  
Wenn dieses Gerät auf einen Sender abgestimmt ist, leuchtet die TUNED-Anzeige auf, und die Frequenz des Senders wird im Frontblende-Display angezeigt.



TUNED  
FM 94.90MHz



Wenn der Sender Radio Data System-Informationen bereitstellt, werden im Frontblende-Display die Senderinformationen angezeigt.

## Manuelle Abstimmung

Wenn das Signal des Senders, den Sie auswählen möchten, schwach ist, nehmen Sie die Abstimmung von Hand vor.

- 1 Drücken Sie mehrmals FM/AM, um den Empfangsbereich (UKW/MW) zu wählen.
- 2 Drücken Sie mehrmals TUNING MODE, um „Manual tune“ (manuelle Abstimmung) zu wählen.



◀ Manual tune ▶  
FM 87.50MHz

- 3 Drehen Sie PRESET/TUNING, um die gewünschte Frequenz zu wählen.  
Wenn das Gerät auf einen Sender abgestimmt ist, leuchtet die TUNED-Anzeige auf.

## Aufrufen eines Festsenders

Sie können jeden gewünschten Sender einstellen, indem Sie einfach die entsprechende Festsendernummer wählen.

### Hinweis

Zur Einstellung von Festsendern siehe nächste Seite.

- 1 Drücken Sie mehrmals TUNING MODE, um „Preset tune“ (Festsender einstellen) zu wählen.
- 2 Drehen Sie PRESET/TUNING, um die Nummer des gewünschten Festsenders zu wählen.

### ■ Verbessern des UKW-Empfangs

Wenn das Signal des Senders schwach und die Klangqualität nicht gut ist, stellen Sie den UKW-Radiowellen-Empfangsmodus auf den monauralen Abstimmungsmodus ein, um den Empfang zu verbessern.

Drücken Sie mehrmals FM MODE, um „AUTO STEREO“ (Stereo-Modus) bzw. „MONO“ (Mono-Modus) auszuwählen, wenn dieses Gerät auf einen UKW-Radiosender eingestellt ist.

- Wenn sich dieses Gerät im Stereo-Abstimmungsmodus befindet, leuchtet die STEREO-Anzeige im Frontblende-Display auf.
- Wenn sich dieses Gerät im Mono-Abstimmungsmodus befindet, erlischt die STEREO-Anzeige.

### Hinweis

Auch wenn sich dieses Gerät im Stereo-Abstimmungsmodus befindet, leuchtet die STEREO-Anzeige nicht auf, wenn das aktuelle Programm monaural ist.

# EINSTELLEN VON FESTSENDERN

Sie können Sender leicht einstellen, indem Sie sie (als Festsender) speichern und aufrufen. Mit dieser Funktion können an diesem Gerät bis zu 40 UKW- und MW-Sender eingestellt werden.

## Automatische Festsenderspeicherung (nur UKW-Sender)

### Hinweis

Zum Speichern von MW-Sendern siehe „Manuelle Festsenderspeicherung“ weiter unten.

**1 Drücken Sie mehrmals FM/AM, um den Empfangsbereich (FM: UKW) zu wählen.**

**2 Halten Sie MEMORY länger als 3 Sekunden gedrückt.**

„Auto Preset“ (Automatische Senderspeicherung) blinkt im Frontblende-Display. Dieses Gerät beginnt, nach Sendern mit starken Signalen zu suchen, und speichert sie automatisch.



Auto Preset  
CH \_\_\_ FM100.05MHz

Wenn die automatische Senderspeicherung abgeschlossen ist, stellt dieses Gerät den unter „01“ gespeicherten Sender ein.

### Hinweise

- Nur UKW-Sender mit ausreichender Signalstärke werden automatisch gespeichert. Um einen Sender mit geringer Signalstärke zu speichern, speichern Sie ihn von Hand. Siehe „Manuelle Festsenderspeicherung“ weiter unten.
- Wenn Sie die „Automatische Festsenderspeicherung“ erneut ausführen, werden sämtliche gespeicherten Senderdaten gelöscht und die einzelnen Speicherplatznummern mit neuen Senderdaten überschrieben.
- Wenn kein Sender gefunden wird, endet die Suche und dieses Gerät kehrt zu dem vorherigen Sender zurück, der vor der Suche eingestellt war.

## Manuelle Festsenderspeicherung

**1 Stellen Sie den gewünschten FM/AM-Sender ein.**

Siehe Seite 4 für Hinweise zur Abstimmung.

**2 Drücken Sie MEMORY.**

Die Nummer des gespeicherten Senders blinkt 5 Sekunden lang im Frontblende-Display.

### Hinweis

Führen Sie den nächsten Bedienvorgang innerhalb von 5 Sekunden nach dem Drücken von MEMORY durch.

**3 Drehen Sie PRESET/TUNING, um die Nummer des gewünschten Festsenders zu wählen, während die Nummer des Festsenders blinkt.**



CH01 FM 99.80MHz

Festsendernummer

### Hinweis

Führen Sie den nächsten Bedienvorgang innerhalb von 5 Sekunden aus, nachdem die Festsendernummer ausgewählt wurde.

**4 Drücken Sie erneut MEMORY, um den Speichervorgang zu bestätigen.**

### Hinweise

- Wenn Sie einen neuen Sender unter einer vorhandenen Sendernummer speichern, werden die vorhandenen Senderdaten mit den neuen Senderdaten überschrieben.
- Der Empfangsmodus (Stereo oder Mono) wird gemeinsam mit der Senderfrequenz gespeichert.

## Löschen eines Festsenders

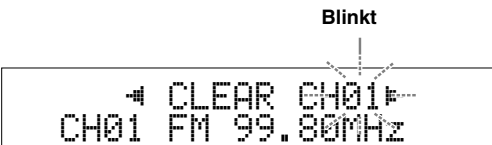
Folgen Sie den nachstehenden Schritten, um einen (einzelnen) Festsender zu löschen.

**1 Wählen Sie die Nummer des gewünschten Festsenders aus.**

Siehe „Aufrufen eines Festsenders“ auf Seite 4.

**2 Drücken Sie CLEAR.**

Die Nummer des gespeicherten Senders blinkt im Frontblende-Display.



← CLEAR CH01 →  
CH01 FM 99.80MHz

Blinkt

Wenn Sie nicht innerhalb von 5 Sekunden den nächsten Bedienvorgang ausführen, wird der Löschvorgang abgebrochen.

**3 Drücken Sie CLEAR, um den Löschvorgang zu bestätigen.**

„PresetXX Cleared“ (SenderXX gelöscht; XX steht für die Nummer des Festsenders) erscheint im Frontblende-Display.



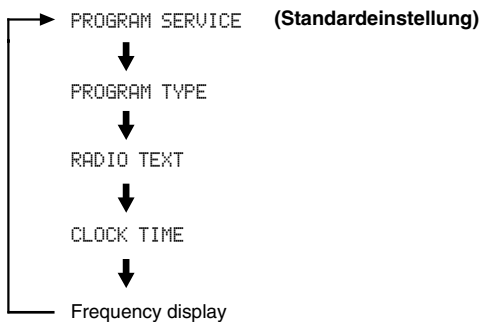
Um sämtliche Festsender zu löschen, halten Sie CLEAR 3 Sekunden lang gedrückt. „ALL CLEAR“ (alle löschen) erscheint im Frontblende-Display.

## Empfangen von Radio Data System-Informationen (nur UKW-Sender)

Das Radio Data System ist ein Datenübertragungssystem, das in vielen Ländern für UKW-Sender verwendet wird. Dieses Gerät kann vier Arten von Radio Data System-Informationen empfangen: Sendername, Programmtyp, Radiotext und Uhrzeit.

### 1 Stellen Sie den gewünschten Radio Data System-Sender ein.

### 2 Drücken Sie mehrmals INFO/TEXT, um den gewünschten Radio Data System-Anzeigemodus auszuwählen.



- Wählen Sie „PROGRAM SERVICE“ (Sendername), um den Namen des momentan empfangenen Radio Data System-Senders anzuzeigen.
- Wählen Sie „PROGRAM TYPE“ (Programmtyp), um den Typ des momentan empfangenen Radio Data System-Programms anzuzeigen.
- Wählen Sie „RADIO TEXT“ (Radiotext), um Informationen über das momentan empfangene Radio Data System-Programm anzuzeigen.
- Wählen Sie „CLOCK TIME“ (Uhrzeit), um die aktuelle Uhrzeit anzuzeigen.

Wenn Sie „PROGRAM TYPE“ (Programmtyp) auswählen, werden die folgenden Bezeichnungen von Programmtypen angezeigt.

Programmtyp	Beschreibung
News	Nachrichten
Current Affairs	Zeitgeschehen
Information	Allgemeine Informationen
Sport	Sport
Education	Bildung
Drama	Drama
Cultures	Kultur
Science	Wissenschaft

Varied Speech	Leichte Unterhaltung
Pop Music	Popmusik
Rock Music	Rockmusik
Easy Listening	Easy Listening
Light Classics M	Leichte klassische Musik
Serious Classics	Ernsthafte klassische Musik
Other Music	Sonstige Musik
Weather & Metr	Wetter & Meteorologie
Finance	Finanzen
Children's Progs	Kinderprogramm
Social Affairs	Sozialwesen
Religion	Religion
Phone In	Mit Hörerbeteiligung
Travel & Touring	Reisen & Touren
Leisure & Hobby	Freizeit & Hobby
Jazz Music	Jazzmusik
Country Music	Country-Musik
National Music	Nationalmusik
Oldies Music	Oldies-Musik
Folk Music	Folkmusik
Documentary	Sachthemen
Alarm Test	Alarmtest
Alarm-Alarm!	Alarm-Alarm!

### Hinweise

- Es kann einen Moment dauern, bis dieses Gerät alle Radio Data System-Daten vom Sender empfängt.
- Wenn die empfangenen Signale nicht stark genug sind, kann dieses Gerät die Radio Data System-Daten eventuell nicht ausnutzen. Insbesondere der „RADIO TEXT“-Modus erfordert eine große Datenmenge und steht möglicherweise nicht zur Verfügung, auch wenn die anderen Radio Data System-Anzeigemodi verfügbar sind.
- Drücken Sie bei schlechtem Empfang FM MODE, um den monauralen Empfangsmodus auszuwählen (siehe Seite 4).
- Falls die Signalstärke während des Empfangs von Radio Data System-Daten durch externe Störsignale abgeschwächt wird, kann der Empfang unter Umständen plötzlich abgebrochen werden.
- Wenn der „RADIO TEXT“-Modus ausgewählt ist, kann dieses Gerät die Programminformation mit maximal 128 alphanumerischen Zeichen, einschließlich des Umlaut-Zeichens, anzeigen. Nicht verfügbare Zeichen werden durch „\_“ (Unterstrichzeichen) ersetzt. Die angezeigten Informationen laufen kontinuierlich durch das Display.

## TP-Suchfunktion (nur UKW-Sender)

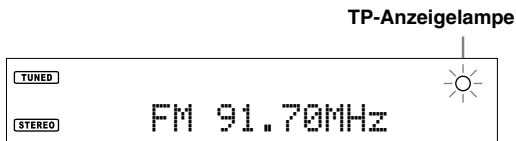
Dieses Gerät kann automatisch nach Radio Data System-Sendern suchen, die ein Verkehrsprogramm (TP) übertragen.

### Drücken Sie TP.

„TP SEARCH ►“ blinkt 3 Sekunden lang im Frontblende-Display, und die Suche startet automatisch.



Wenn ein TP-Sender empfangen wird, leuchtet die TP-Anzeigelampe auf, und die TP-Suche wird beendet.



Wenn der Sender Radio Data System-Informationen bereitstellt, werden im Frontblende-Display die Senderinformationen angezeigt.

Um den nächsten TP-Sender zu suchen, drücken Sie TP.

### Hinweis

- Drücken Sie während der TP-Suche TP, um den Vorgang abubrechen.
- Wenn keine TP-Sender gefunden werden, erscheint „NO TP STATION“ im Frontblende-Display, und dieses Gerät kehrt in den Status vor der Suche zurück.

# FEHLERBEHEBUNG

Beziehen Sie sich auf nachfolgende Tabelle, wenn das Gerät nicht richtig funktionieren sollte. Falls das aufgetretene Problem in der nachfolgenden Tabelle nicht aufgeführt ist oder die nachfolgenden Anweisungen nicht helfen, schalten Sie das Gerät aus, ziehen Sie den Netzstecker, und wenden Sie sich an den nächsten autorisierten Yamaha-Fachhändler oder -Kundendienst.

## ■ Tuner

Problem		Ursache	Abhilfe	Siehe Seite
UKW	Der UKW-Stereoempfang ist verrauscht.	Dieses Problem kann bei UKW-Stereosendungen vorkommen, wenn der Sender zu weit entfernt oder der Antenneneingang schlecht ist.	Überprüfen Sie die Antennennanschlüsse.	3
			Versuchen Sie die Verwendung einer hochwertigen UKW-Antenne mit Richtwirkung.	—
	Es treten Verzerrungen auf, und klarer Empfang ist auch mit einer guten UKW-Antenne nicht möglich.	Es sind Mehrweginterferenzen vorhanden.	Stellen Sie die Antennenposition ein, um die Mehrweginterferenzen zu eliminieren.	—
	Der gewünschte Sender kann mit der automatischen Abstimmethode nicht abgestimmt werden.	Das Signal ist zu schwach.	Verwenden Sie eine hochwertige UKW-Antenne mit Richtwirkung.	—
			Verwenden Sie die manuelle Abstimmethode.	4
Die Radio Data System-Informationen werden nicht angezeigt.	Der Radiosender stellt keine Radio Data System-Informationen bereit.			
	Das Signal ist zu schwach.	Verwenden Sie eine hochwertige UKW-Antenne mit Richtwirkung.	—	
MW	Der gewünschte Sender kann mit der automatischen Abstimmethode nicht abgestimmt werden.	Das Signal ist schwach oder die Antennennanschlüsse sind locker.	Ziehen Sie die MW-Rahmenantennenschlüsse fest, und richten Sie diese Antenne für besseren Empfang aus.	—
			Verwenden Sie die manuelle Abstimmethode.	4
	Es treten kontinuierliche Krach- und Zischgeräusche auf.	Geräusche können von Gewitter, Leuchtstofflampen, Motoren, Thermostaten und anderen elektrischen Geräten ausgehen.	Verwenden Sie eine Hochantenne und einen guten Erdungsdraht. Dies hilft ab, aber es ist schwierig, alle Störgeräusche vollständig zu eliminieren.	—
	Es kommt zu Summ- und Heulgeräuschen.	Ein TV-Gerät wird in der Nähe verwendet.	Stellen Sie dieses Gerät ferner vom TV-Gerät.	—

## ■ Allgemeines

Problem		Ursache	Abhilfe	Siehe Seite
Dieses Gerät schaltet sich nicht ein, wenn der POWER-Schalter gedrückt wird.		Das Netzkabel ist nicht angeschlossen oder der Stecker ist nicht vollständig eingesteckt.	Schließen Sie das Netzkabel richtig an.	3
		Dieses Gerät wurde einem starken externen Stromschlag (wie Blitzschlag oder starke statische Elektrizität) ausgesetzt.	Ziehen Sie den Netzstecker ab und stecken Sie ihn nach 30 Sekunden wieder ein; fahren Sie anschließend mit der normalen Benutzung des Geräts fort.	—
Ein „Brummgeräusch“ ist zu hören.	Fehlerhafte Kabelanschlüsse.	Schließen Sie die Stecker der Audioverbindungskabel richtig an. Falls das Problem weiterhin besteht, sind vielleicht die Kabel defekt.	—	
Dieses Gerät funktioniert nicht richtig.	Der interne Mikrocomputer wurde aufgrund eines externen Stromschlags (wie zum Beispiel Blitzschlag oder übermäßige statische Elektrizität) oder durch eine Stromversorgung mit zu niedriger Spannung eingefroren.	Ziehen Sie den Netzstecker von der Steckdose ab und stecken Sie ihn nach etwa 30 Sekunden wieder ein.	3	



# TECHNISCHE DATEN

## AUDIOABSCHNITT

- Ausgangspegel/Impedanz (fest)
  - UKW (40 kHz Abw., 1 kHz) ..... 1,0 V/1,2 k $\Omega$
  - MW (30% mod., 1 kHz) ..... 0,36 V/1,2 k $\Omega$

## UKW-ABSCHNITT

- Einstellbereich ..... 87,50 bis 108,00 MHz
- 50 dB Ruhe-Sensitivität (IHF, 100% mod.)
  - Mono ..... 3  $\mu$ V (20,2 dBf)
- Nutzepfindlichkeit (Signal-Rauschspannungsabstand 30 dB)
  - Mono ..... 1,0  $\mu$ V
  - Bild-Störfestigkeit ..... 80 dB
  - ZF-Störfestigkeit ..... 70 dB
  - Selektivität (400 kHz) ..... 70 dB
- Signal-Rauschspannungsabstand (IHF)
  - Mono/Stereo ..... 80 dB/75 dB
- Klirrfaktor (1 kHz)
  - Mono/Stereo ..... 0,3%/0,5%
- Stereo-Kanaltrennung (40 kHz Abw.)
  - 1 kHz ..... 43 dB
- Frequenzgang (20 Hz bis 15 kHz) ..... -3 dB
- Antenneneingang (asymmetrisch) ..... 75  $\Omega$

## MW-ABSCHNITT

- Einstellbereich ..... 531 bis 1611 kHz
- Nutzepfindlichkeit ..... 300  $\mu$ V/m
- Selektivität ..... 30 dB
- Signal-Rauschspannungsabstand ..... 50 dB
- Bild-Störfestigkeit ..... 35 dB
- Klirrfaktor ..... 1,0%

## ALLGEMEINES

- Stromversorgung ..... AC 230 V, 50 Hz
- Stromverbrauch ..... 9 W
- Abmessungen (B x H x T) ..... 435 x 87 x 306 mm
- Gewicht ..... 3,2 kg

\* Änderungen der technischen Daten jederzeit ohne Vorankündigung vorbehalten

## Begrenzte Garantie für den Europäischen Wirtschaftsraum (EWR) und die Schweiz

Herzlichen Dank, dass Sie sich für ein Yamaha Produkt entschieden haben. In dem unwahrscheinlichen Fall, dass die Garantie für das Yamaha-Produkt in Anspruch genommen werden muss, wenden Sie sich bitte an den Händler, bei dem es gekauft wurde. Sollten Sie auf Schwierigkeiten stoßen, wenden Sie sich bitte an die Yamaha Repräsentanz in Ihrem Land. Auf unserer Internetseite (<http://www.yamaha-hifi.com/> oder <http://www.yamaha-uk.com/> für Einwohner Großbritanniens) finden Sie alle Einzelheiten.

Wir garantieren für einen Zeitraum von zwei Jahren ab ursprünglichem Kaufdatum, dass dieses Produkt frei von Verarbeitungs- oder Materialfehlern ist. Yamaha verpflichtet sich, gemäß der nachstehend angeführten Bedingungen, ein fehlerhaftes Produkt (oder Teile desselben) kostenfrei (gilt für Teile und Arbeit) zu reparieren oder auszutauschen. Diese Entscheidung obliegt ausschließlich Yamaha. Yamaha behält sich vor, das Produkt gegen ein in Art und/oder Wert und Zustand ähnliches Produkt auszutauschen, wenn das entsprechende Modell nicht mehr erzeugt wird, oder die Reparatur als unrentabel angesehen wird.

### Bedingungen

1. Dem defekten Produkt MUSS die Originalrechnung oder der Originalkaufbeleg (der Beleg muss das Kaufdatum, den Produkt-Code und den Namen des Händlers aufweisen) beigelegt werden, ebenso eine Fehlerbeschreibung. Bei Fehlen einer eindeutigen Kaufbestätigung behält sich Yamaha das Recht vor, den kostenfreien Service abzulehnen und das Produkt auf Kosten des Kunden zu retournieren.
2. Das Produkt MUSS von einem AUTORISIERTEN Yamaha-Händler innerhalb des Europäischen Wirtschaftsraums (EWR) oder der Schweiz gekauft worden sein.
3. Es wurden keine wie auch immer gearteten Änderungen am Produkt vorgenommen, außer diese wurden von Yamaha schriftlich genehmigt.
4. Folgendes ist von der Garantie ausgeschlossen:
  - a. Regelmäßige Wartung und Reparatur oder Austausch von Verschleißteilen.
  - b. Schaden durch:
    - (1) Vom Kunden selber oder von nichtbefugten Dritten ausgeführte Reparaturen.
    - (2) Unsachgemäße Verpackung oder Handhabung während des Transports vom Kunden. Beachten Sie bitte, dass die sachgerechte Verpackung des zur Reparatur gebrachten Produkts in der Verantwortung des Retournierenden liegt.
    - (3) Unsachgemäße Verwendung, einschließlich der, jedoch nicht beschränkt auf, (a) die Verwendung des Produkts zu anderen als den normalen Zwecken oder Behandlung entgegen die Anweisungen Yamahas zur korrekten Handhabung, Wartung oder Lagerung und (b) die Installation oder Verwendung des Produkts auf andere Weise als dies den technischen oder Sicherheitsstandards jenes Landes entspricht, in dem das Produkt verwendet wird.
    - (4) Unfälle, Blitzschlag, Wasser, Feuer, ungeeignete Belüftung, Auslaufen der Batterie oder jedem anderen Grund, den Yamaha nicht beeinflussen kann.
    - (5) Defekte an jenem System, an welches dieses Produkt angeschlossen wird und/oder die Inkompatibilität mit Produkten anderer Hersteller.
    - (6) Die Verwendung eines nicht von Yamaha in den EWR und/oder die Schweiz importierten Produkts, wenn dieses Produkt nicht den technischen oder Sicherheitsstandards jenes Landes, in dem es verwendet wird, und/oder der standardisierten Produktspezifikation für von Yamaha im EWR und/oder der Schweiz vertriebene Produkte, entspricht.
5. Wenn es Unterschiede in den Garantiebedingungen zwischen jenem Land in dem das Produkt gekauft wurde, und jenem in dem das Produkt verwendet wird, finden die Garantiebedingungen jenes Landes Anwendung, in dem das Produkt verwendet wird.
6. Yamaha kann für keinerlei Verluste oder Schäden, ob direkt, in Konsequenz oder anderweitig, verantwortlich gemacht werden, außer bezüglich der Reparatur oder des Ersatzes eines Produkts.
7. Legen Sie bitte Kopien aller persönlichen Einstellungen und Daten an, da Yamaha weder für irgendwelche Änderungen noch für den Verlust solcher Daten verantwortlich gemacht werden kann.
8. Diese Garantie beeinflusst nicht die gesetzlichen Verbraucherrechte unter dem geltenden nationalen Recht oder die Verbraucherrechte gegenüber dem Händler, die durch einen Kaufvertrag entstehen.

## Verbraucherinformation zur Sammlung und Entsorgung alter Elektrogeräte und benutzter Batterien



Befinden sich diese Symbole auf den Produkten, der Verpackung und/oder beiliegenden Unterlagen, so sollten benutzte elektrische Geräte und Batterien nicht mit dem normalen Haushaltsabfall entsorgt werden. In Übereinstimmung mit Ihren nationalen Bestimmungen und den Richtlinien 2002/96/EC und 2006/66/EC, bringen Sie bitte alte Geräte und benutzte Batterien zur fachgerechten Entsorgung, Wiederaufbereitung und Wiederverwendung zu den entsprechenden Sammelstellen.



Durch die fachgerechte Entsorgung der Elektrogeräte und Batterien helfen Sie, wertvolle Ressourcen zu schützen und verhindern mögliche negative Auswirkungen auf die menschliche Gesundheit und die Umwelt, die andernfalls durch unsachgerechte Müllentsorgung auftreten könnten.



Für weitere Informationen zum Sammeln und Wiederaufbereiten alter Elektrogeräte und Batterien, kontaktieren Sie bitte Ihre örtliche Stadt- oder Gemeindeverwaltung, Ihren Abfallentsorgungsdienst oder die Verkaufsstelle der Artikel.

### [Entsorgungsinformation für Länder außerhalb der Europäischen Union]

Diese Symbole gelten nur innerhalb der Europäischen Union. Wenn Sie solche Artikel aufräumen möchten, kontaktieren Sie bitte Ihre örtlichen Behörden oder Ihren Händler und fragen Sie nach der sachgerechten Entsorgungsmethode.



**Pb**

### Anmerkung zum Batteriesymbol (untere zwei Symbolbeispiele):

Dieses Symbol kann auch in Kombination mit einem chemischen Symbol verwendet werden. In diesem Fall entspricht dies den Anforderungen der Richtlinie zur Verwendung chemischer Stoffe.

# OBSERVERA: LÄS DETTA INNAN ENHETEN TAS I BRUK.

- 1 Läs noga denna bruksanvisning för att kunna ha största möjliga nöje av enheten. Förvara bruksanvisningen nära till hands för framtida referens.
- 2 Installera ljudanläggningen på en välventilerad plats där det är svalt, torrt och rent – på avstånd från direkt solljus, värmekällor, vibration, damm, fukt och/eller kyla. Lämna följande mellanrum ovanför och bakom enheten för ventilation:  
Ovanför: 10 cm  
Bakom: 10 cm
- 3 Placera enheten på behörigt avstånd från andra elapparater, motorer, transformatorer och annat som kan orsaka störningar.
- 4 Utsätt inte enheten för hastiga temperaturväxlingar och placera den inte på ett ställe där luftfuktigheten är hög (t.ex. nära en luftfuktare) då fuktbildning i enheten skapar risk för brand, elstötar, skador på enheten eller personskador.
- 5 Placera inte enheten på ett ställe där främmande föremål kan tränga in i den eller där den kan utsättas för droppar eller vattenstänk. Placera aldrig det följande ovanpå enheten:
  - Övriga apparater då sådana kan orsaka skador och/eller missfärgning av enhetens hölje.
  - Brännbara föremål (t.ex. stearinljus) då sådana skapar risk för brand, skador på enheten och/eller personskador.
  - Vätskebehållare som kan falla och spilla vätska över enheten, vilket skapar risk för elstötar och/eller skador på enheten.
- 6 Täck aldrig över enheten med en tidning, duk, gardin el.dyl. då detta skapar risk för överhettning. En alltför hög temperatur inuti enheten kan leda till brand, skador på enheten och/eller personskador.
- 7 Anslut inte enheten till ett vägguttag förrän samtliga övriga anslutningar slutförts.
- 8 Använd aldrig enheten vänd upp och ned. Detta kan leda till överhettning som orsakar skador.
- 9 Hantera inte tangenter, reglage och kablar onödigt hårdhänt.
- 10 Fatta tag i själva kontakten när nätkabeln kopplas bort från vägguttaget; dra aldrig i kabeln.
- 11 Använd aldrig några kemiska lösningar för rengöring då dessa kan skada ytbehandlingen. Använd en ren, torr trasa.
- 12 Använd endast den spänning som står angiven på enheten. Anslutning till en strömkälla med högre spänning än den angivna kan orsaka brand, skador på enheten och/eller personskador. Yamaha åtar sig inget ansvar för skador beroende på att enheten används med en spänning utöver den angivna.
- 13 Koppla bort nätkabeln och utomhusantennerna från vägguttaget eller enheten för att undvika skador genom blixtnedslag vid åskväder.
- 14 Försök aldrig att utföra egna reparationer. Kontakta en kvalificerad tekniker från Yamaha om servicebehov föreligger. Du får inte under några omständigheter ta av höljet.
- 15 Koppla bort nätkabeln från vägguttaget om enheten inte ska användas under en längre tid (t.ex. under semestern).
- 16 Installera receiveern nära ett nätuttag och där stickkontakten lätt kan komma åt.
- 17 Läs avsnittet "FELSÖKNING" om vanligt förekommande driftsproblem innan du förutsätter att enheten är söndrig.

- 18 Innan enheten flyttas ska du trycka på POWER för att ställa den i beredskapsläge och sedan koppla bort nätkabeln från vägguttaget.

## VARNING

UTSÄTT INTE ENHETEN FÖR REGN ELLER FUKT DÅ DETTA SKAPAR RISK FÖR BRAND ELLER ELSTÖTAR.

När enheten är kopplad till vägguttaget finns det ström i enheten även om du stänger av den med POWER-knappen.

# INNEHÅLL

## FÖRBEREDELSE

<b>REGLAGE OCH FUNKTIONER</b> .....	<b>2</b>
Frontpanel .....	2
Användning av fjärrkontroll .....	2
<b>ANSLUTNINGAR</b> .....	<b>3</b>

## ANVÄNDNING

<b>STATIONSINSTÄLLNING</b> .....	<b>4</b>
Automatisk stationsinställning.....	4
Manuell stationsinställning .....	4
Val av förinställda stationer.....	4
<b>FÖRINSTÄLLNING AV STATIONER</b> .....	<b>5</b>
Automatisk stationsförinställning (Endast FM-stationer).....	5
Manuell stationsförinställning .....	5
Nollställning av en förinställd station.....	5
Mottagning av radiodatasystem-information (Endast FM-stationer).....	6
TP-sökfunktion (endast FM-stationer) .....	7

## YTTERLIGARE INFORMATION

<b>FELSÖKNING</b> .....	<b>8</b>
<b>SPECIFIKATIONER</b> .....	<b>9</b>

### ■ Funktioner

- FM/AM-radio med 40 stationer och automatisk stationsinställning
- Automatisk stationsförinställning (Endast FM-stationer)
- Möjlighet att visa textinformation från radiodatasystem-system
- Två (2) raders display för informationmeddelanden

### ■ Medföljande tillbehör

Kontrollera att följande delar finns med och att ingenting saknas.

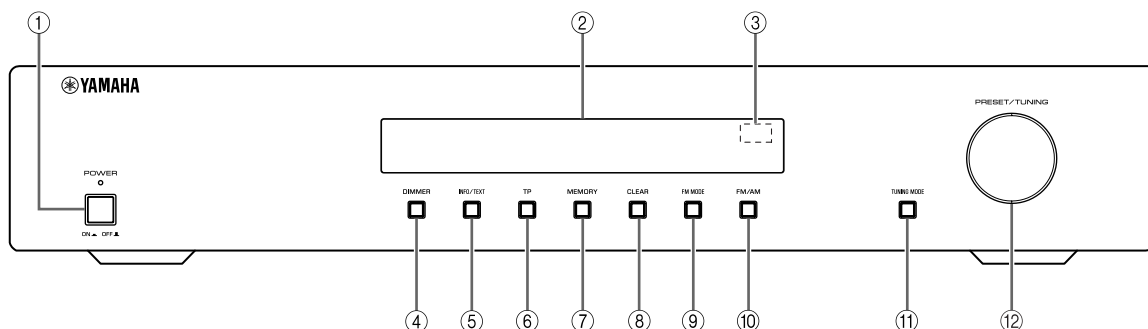
- FM-inomhusantenn
- AM-ramantenn
- RCA-stereokabel

### ■ Angående denna bruksanvisning

- ☞ anger tips för användningen.
- Denna bruksanvisning är tryckt före tillverkningen av produkten. Utförande och specifikationer kan ändras på grund av förbättringar osv. Om det förekommer skillnader mellan bruksanvisningen och produkten så har produkten företräde.

# REGLAGE OCH FUNKTIONER

## Frontpanel



### ① POWER

Tryck på knappen för att starta eller stänga av enheten.



Indikatorlampan POWER ovanför tänds när enheten är på.

### ② Frontpanelens display

Visar information om aktuell FM- eller AM-radiostation, eller driftstatus.

### ③ TP-indikatorlampa

Tänds när en station med ett trafikprogram (TP) tas emot (se sidan 7).

### ④ DIMMER

Reglaget ändrar ljusstyrkan på frontpanelens display. Du kan ställa in ljusstyrkan på fyra (4) nivåer genom att trycka på den här knappen upprepade gånger.



Den här inställningen sparas även om du stänger av enheten.

### ⑤ INFO/TEXT

Startar eller ändrar visningsläge för radiodatasystem (Radio Data System) (se sidan 6).

### ⑥ TP

Söker automatiskt efter en station som sänder ett trafikprogram (TP) (se sidan 7).

### ⑦ MEMORY

Väljer läget för förinställda stationer när enheten är i läget för FM/AM-mottagning (se sidan 5).

### ⑧ CLEAR

Nollställer de förinställda stationerna (se sidan 5).

### ⑨ FM MODE

Växlar mottagningsläge vid FM-radiomottagning (stereo eller mono) när enheten är i läget för FM-mottagning (se sidan 4).

### ⑩ FM/AM

Väljer mottagande band (FM eller AM).

### ⑪ TUNING MODE

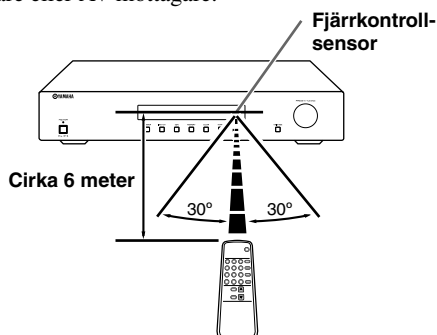
Väljer mottagningsläge (automatiskt, manuellt eller förinställda stationer) när enheten är i läget för FM/AM-mottagning (se sidan 4).

### ⑫ PRESET/TUNING

- Väljer förinställda FM- eller AM-stationer eller tjänster när enheten är i läget för förinställda stationer.
- Väljer FM- eller AM-stationer eller tjänster när enheten inte är i läget för förinställda stationer.

## Användning av fjärrkontroll

Den här enheten har en fjärrkontrollsensor. Den tar emot signaler från en fjärrkontroll som medföljer Yamahas förstärkare eller AV-mottagare.



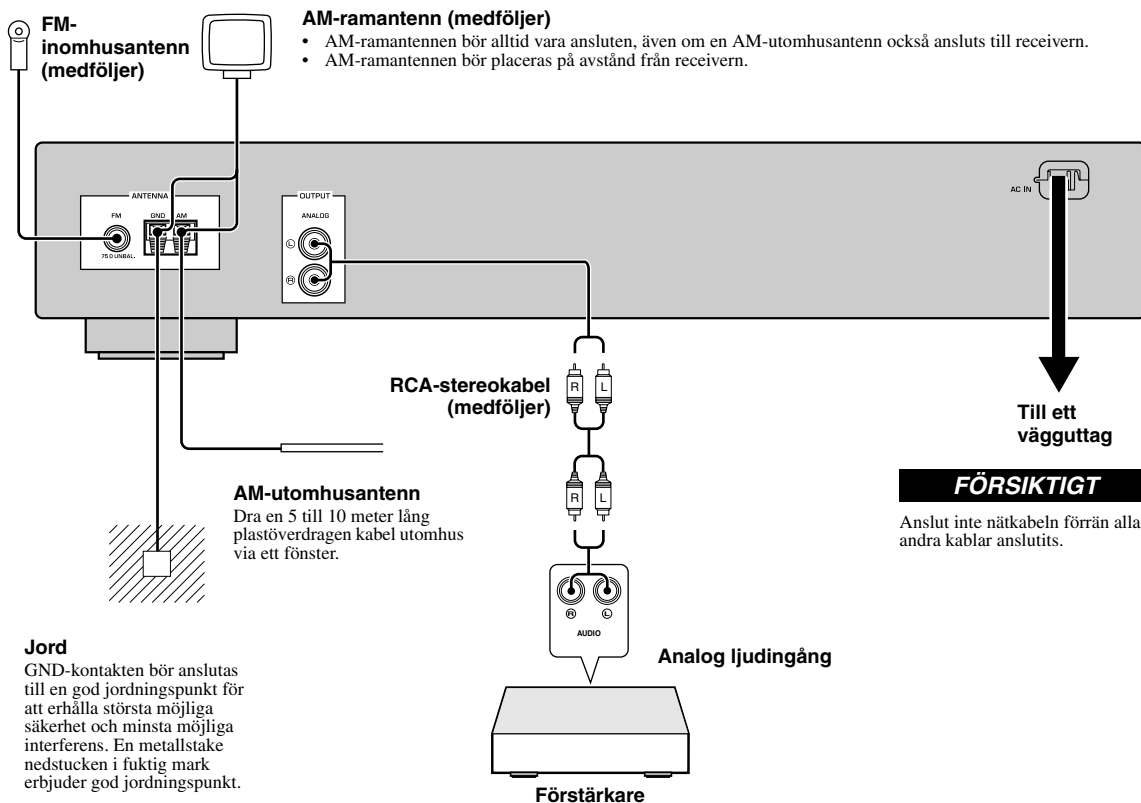
## Anmärkingar

- Ställ inga stora hinder mellan fjärrkontrollen och själva enheten.
- Om starka ljuskällor lyser direkt på fjärrkontrollsensorn (gäller särskilt fluorescerande lampor av inverterande typ) går det kanske inte att manövrera enheten med fjärrkontrollen. I så fall kan enheten behöva flyttas så att den inte längre träffas av direkt belysning.

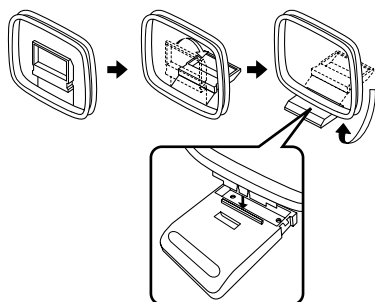
# ANSLUTNINGAR

## Anmärkning

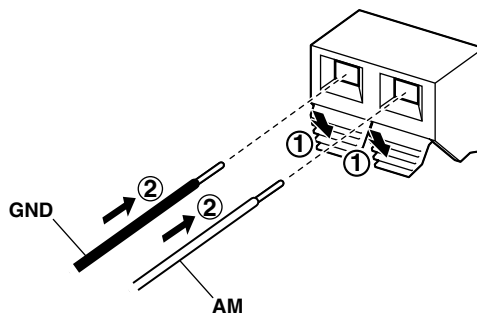
Anslut en utomhusantenn, om mottagningskvaliteten är dålig. Rådgör med närmaste auktoriserade Yamaha-handlare eller servicecenter angående utomhusantennerna.



## ■ Montering av medföljande AM-ramantenn



## ■ Anslutning av kabeln till AM-ramantennen



# STATIONSINSTÄLLNING

## Automatisk stationsinställning

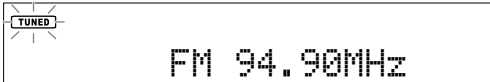
Automatisk stationsinställning fungerar bra när stationernas signaler är starka och det inte förekommer störningar.

- 1 Tryck på FM/AM upprepade gånger för att välja mottagningsband (FM/AM).
- 2 Tryck på TUNING MODE och välj "Auto tune".



◀ Auto tune ▶  
FM 87.50MHz

- 3 Vrid PRESET/TUNING för att starta automatisk stationsinställning.  
När enheten ställt in sig på en station tänds lampan TUNED och stationens frekvens visas på displayen.



TUNED  
FM 94.90MHz



Om stationen sänder radiodatasystem-information kommer programinformation att visas på displayen.

## Manuell stationsinställning

Om signalen från den önskade stationen är svag kan du ställa in den manuellt.

- 1 Tryck på FM/AM upprepade gånger för att välja mottagningsband (FM/AM).
- 2 Tryck på TUNING MODE upprepade gånger och välj "Manual tune".



◀ Manual tune ▶  
FM 87.50MHz

- 3 Vrid PRESET/TUNING och välj önskad frekvens.  
När receptorn har ställt in en station visas indikeringen TUNED.

## Val av förinställda stationer

Du kan ställa in önskad station genom att helt enkelt välja den förinställda stationens nummer.

### Anmärkning

Se nästa sida för information om förinställning av stationer.

- 1 Tryck på TUNING MODE upprepade gånger och välj "Preset tune".
- 2 Vrid PRESET/TUNING och välj nummer för önskad förinställd station.

### ■ Förbättring av FM-mottagning

Om signalen från stationen är svag och ljudkvaliteten är otillräcklig kan du ställa in FM-radion så att signalen tas emot i mono i stället för att förbättra mottagningen.

Tryck på FM MODE upprepade gånger och välj "AUTO STEREO" (stereoljud) eller "MONO" (monoljud) medan enheten är inställd på en FM-radiostation.

- När enheten är i läget för stereoljud tänds indikatorn STEREO på displayen.
- När enheten är i läget för monoljud släcks indikatorn STEREO.

### Anmärkning

Enheten kan vara inställd på stereoljud utan att indikatorn STEREO tänds, vilket kan bero på att programmet sänds i mono.

# FÖRINSTÄLLNING AV STATIONER

Du kan enkelt ställa in stationer genom att spara dem (förinställning) och ställa in dem snabbt när du behöver. Den här enheten kan förinställa upp till 40 FM- och AM-stationer.

## Automatisk stationsförinställning (Endast FM-stationer)

### Anmärkning

Förinställning av AM-stationer beskrivs under "Manuell stationsförinställning" nedan.

**1 Tryck på FM/AM upprepade gånger för att välja mottagningsband (FM).**

**2 Tryck och håll in MEMORY i minst tre (3) sekunder.**

"Auto Preset" blinkar på displayen. Enheten börjar söka efter stationer med starka signaler och sparar dessa automatiskt.



Auto Preset  
CH\_\_ FM100.05MHz

När den automatiska stationsinställningen är klar går enheten till förinställd station nr "01".

### Anmärkningar

- Det är bara FM-stationer med tillräcklig signalstyrka som sparas automatiskt. Om du vill spara en station med svag signal måste du spara den manuellt. Se "Manuell stationsförinställning" nedan.
- Om du kör funktionen "Automatisk stationsförinställning" på nytt kommer alla förinställda data att raderas och nya förinställda data sparas på respektive stationsnummer.
- Om ingen station hittas avslutas sökningen och enheten återgår till den station som var inställd före sökningen.

## Manuell stationsförinställning

**1 Ställ in önskad FM/AM-station.**

Se sidan 4 för anvisningar om hur man ställer in en station.

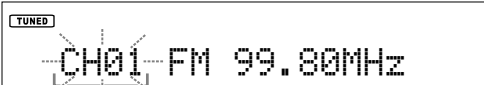
**2 Tryck på MEMORY.**

Det förinställda stationsnumret blinkar på displayen i (5) sekunder.

### Anmärkning

Nästa moment måste utföras inom fem (5) sekunder efter att du tryckt på MEMORY.

**3 Vrid reglaget PRESET/TUNING och välj önskat förinställt stationsnummer medan det förinställda stationsnumret blinkar.**



TUNED  
CH01 FM 99.80MHz

Förinställt stationsnummer

### Anmärkning

Nästa moment måste utföras inom fem (5) sekunder efter att du valt förinställt stationsnummer.

**4 Tryck på MEMORY igen för att bekräfta förinställningen.**

### Anmärkningar

- När du ställer in en ny station på ett förinställt nummer där det redan finns en station kommer den nya stationen att ersätta den gamla.
- Mottagningsläget (stereo eller mono) lagras tillsammans med stationens frekvens.

## Nollställning av en förinställd station

Följ nedanstående steg för att nollställa en förinställd station åt gången.

**1 Välj önskat förinställt stationsnummer.**  
Se "Val av förinställda stationer" på sidan 4.

**2 Tryck på CLEAR.**

Det valda förinställda stationsnumret blinkar på displayen.

Blinkar



← CLEAR CH01 →  
CH01 FM 99.80MHz

Om du inte utför nästa moment inom fem (5) sekunder kommer nollställningen att avbrytas.

**3 Tryck på CLEAR för att bekräfta.**  
"PresetXX Cleared" (XX visar förinställt nummer) visas på displayen.



Om du vill nollställa alla förvaldsstationer måste du trycka in CLEAR och hålla in knappen i tre (3) sekunder. "ALL CLEAR" visas då på displayen.

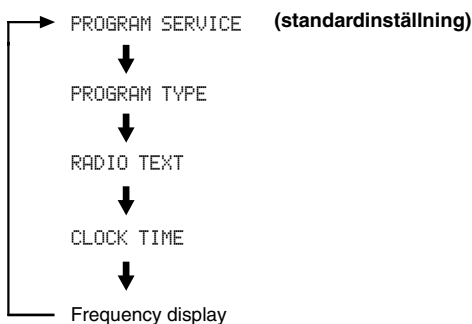


## Mottagning av radiodatasystem-information (Endast FM-stationer)

Radiodatasystem är ett system för dataöverföring som används av FM-stationer i många länder. Den här enheten kan ta emot fyra typer av radiodatasystem-information: Program Service, Program Type, Radio Text, samt Clock Time.

### 1 Ställ in önskad radiodatasystem-station.

### 2 Tryck på INFO/TEXT upprepade gånger och välj önskat radiodatasystem-läge.



- Välj "PROGRAM SERVICE" för att visa namnet på det radiodatasystem-program som tas emot just nu.
- Välj "PROGRAM TYPE" för att visa vilken typ av radiodatasystem-program som tas emot just nu.
- Välj "RADIO TEXT" för att visa informationen om det radiodatasystem-program som tas emot just nu.
- Välj "CLOCK TIME" för att visa aktuell tid.

När du väljer alternativet "PROGRAM TYPE," visas följande programtyper.

Programtyp	Beskrivning
News	Nyheter
Current Affairs	Aktualiteter
Information	Allmän information
Sport	Sport
Education	Utbildning
Drama	Teater
Cultures	Kultur
Science	Vetenskap
Varied Speech	Blandat tal
Pop Music	Popmusik
Rock Music	Rockmusik

Easy Listening	Lättyssnat
Light Classics M	Lätt klassiskt
Serious Classics	Seriöst klassiskt
Other Music	Övrig musik
Weather & Metr	Väder
Finance	Ekonomi
Children's Progs	Barnprogram
Social Affairs	Samhälle
Religion	Religion
Phone In	Ring in
Travel & Touring	Resor
Leisure & Hobby	Fritid och hobby
Jazz Music	Jazzmusik
Country Music	Countrymusik
National Music	Svensk musik
Oldies Music	Gamla godingar
Folk Music	Folkmusik
Documentary	Dokumentärer
Alarm Test	Larmtest
Alarm-Alarm!	Larm-Larm!

### Anmärkningar

- Det kan ta en stund innan enheten tagit emot alla radiodatasystem-data från radiostationen.
- Om de signaler som tas emot inte är tillräckligt starka kan det hända att receivern inte kan utnyttja den radiodatasystem-information som sänds. Läget "RADIO TEXT" kräver extra mycket data och är kanske inte tillgängligt även om övriga radiodatasystem-lägen finns tillgängliga.
- Om mottagningen är dålig kan du trycka på FM MODE och välja mottagning i mono (se sidan 4).
- Om signalstyrkan försvagas på grund av yttre störningar medan enheten tar emot radiodatasystem-data kan mottagningen plötsligt brytas.
- När läget "RADIO TEXT" valts kan enheten visa programinformation med upp till 128 alfanumeriska tecken inklusive å, ä och ö. Otillgängliga tecken visas med "\_" (understreck). Informationen som visas rullar kontinuerligt fram.

## TP-sökfunktion (endast FM-stationer)

Receivern kan automatiskt söka efter radiodatasystemstationer som sänder trafikprogram (TP).

### Tryck på TP.

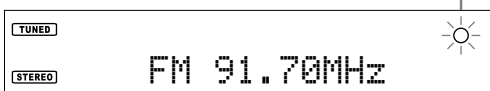
”TP SEARCH ►” blinkar på frontpanelens display i tre (3) sekunder och sökningen startar automatiskt.

Blinkar



När en TP-station tas emot tänds TP-indikatorlampan och TP-sökningen avslutas.

TP-indikatorlampa



Om stationen sänder radiodatasystem-information kommer programinformation att visas på displayen.

Sök efter nästa TP-station genom att trycka på TP.

### Anmärkningar

- Tryck på TP under TP-sökningen för att avbryta.
- Om inga TP-stationer hittas visas texten ”NO TP STATION” på frontpanelens display och receivern återgår till tillståndet före sökningen.

# FELSÖKNING

Gå igenom tabellen nedan, om receptorn inte tycks fungera korrekt. Om problemet inte finns med i listan nedan eller om anvisningarna inte hjälper bör du stänga av enheten, koppla ur nätkabeln och kontakta närmaste auktoriserade Yamaha-handlare eller servicecenter.

## ■ Radiodel

Problem		Orsak	Åtgärd	Se sidan
FM	FM-mottagning i stereo är brusig.	Karakteristiken hos FM-sändningar i stereo kan orsaka detta problem när sändaren är för långt bort eller antensignalen är för svag.	Kontrollera antennanslutningarna.	3
			Försök med att använda en riktad FM-antenn av hög kvalitet.	—
	Distorsion förekommer och det går inte att få en klar mottagning ens med en bra FM-antenn.	Flervägs interferensstörningar förekommer.	Justera antennens position för att ta bort flervägsinterferens.	—
	Önskad station kan inte ställas in med metoden för automatisk stationsinställning.	Signalen är för svag.	Använd en riktad FM-antenn av hög kvalitet.	—
Använd metoden för manuell stationsinställning.			4	
Radiodatasystem-informationen visas inte.	Radiostationen sänder inte ut någon radiodatasystem-information.			
	Signalen är för svag.	Använd en riktad FM-antenn av hög kvalitet.	—	
AM	Önskad station kan inte ställas in med metoden för automatisk stationsinställning.	Signalen är svag, eller så är antennanslutningen dålig.	Se till att AM-ramantennen är ordentligt ansluten och rikta den för bästa mottagning.	—
			Använd metoden för manuell stationsinställning.	4
	Det förekommer hela tiden knastrande eller visslande ljud.	Störningar kan uppstå på grund av åskväder, lysrör, motorer, termostater och annan elektrisk utrustning.	Använd en utomhusantenn och en jordledning. Det hjälper till en viss del, men det är svårt att få bort allt brus.	—
	Det förekommer surrande och vinande ljud.	En TV-apparat används i närheten.	Flytta receptorn längre bort från TV:n.	—

## ■ Allmänt

Problem	Orsak	Åtgärd	Se sidan
Enheten startar inte när POWER-knappen trycks in.	Nätkabeln är inte ansluten eller stickkontakten är inte ordentligt isatt.	Anslut nätkabeln ordentligt.	3
	Receptorn har utsatts för en kraftig yttre elstöt (tex ett blixtnedslag eller kraftig statisk elektricitet).	Koppla ur nätkabeln, anslut den igen efter 30 sekunder och använd sedan enheten normalt.	—
Ett "brummande" ljud hörs.	Felaktiga kabelanslutningar.	Anslut alla ljudkablar ordentligt. Om problemet kvarstår, kan det bero på defekta kablar.	—
Receptorn fungerar inte som den ska.	Den interna mikrodatorn har låsts av en yttre elektrisk stöt (som tex blixtnedslag eller kraftig statisk elektricitet) eller på grund av att strömförsörjningen har för låg spänning.	Dra ut kontakten ur vägguttaget och anslut den igen efter cirka 30 sekunder.	3

# SPECIFIKATIONER

## LJUDELEN

- Utsignalnivå/Impedans (fast)
  - FM (40 kHz Dev., 1 kHz) ..... 1,0 V/1,2 k $\Omega$
  - AM (30 % mod., 1 kHz) ..... 0,36 V/1,2 k $\Omega$

## FM-DELEN

- Frekvensområde ..... 87,50 till 108,00 MHz
- 50 dB ljuddämpningskänslighet (IHF, 100 % mod.)
  - Mono ..... 3  $\mu$ V (20,2 dBf)
- Användbar känslighet (Signal-/brusförhållande 30 dB)
  - Mono ..... 1,0  $\mu$ V
  - Bildavvisning ..... 80 dB
  - IF-avvisning ..... 70 dB
  - Selektivitet (400 kHz) ..... 70 dB
- Signalbrusförhållande (IHF)
  - Mono/Stereo ..... 80 dB/75 dB
- Övertonsdistorsion (1 kHz)
  - Mono/Stereo ..... 0,3%/0,5%
- Stereoseparation (40 kHz Dev.)
  - 1 kHz ..... 43 dB
- Frekvensomfång (20 Hz–15 kHz) ..... –3 dB
- Antenningång (obalanserad) ..... 75  $\Omega$

## AM-DELEN

- Frekvensområde ..... 531 till 1611 kHz
- Användbar känslighet ..... 300  $\mu$ V/m
- Selektivitet ..... 30 dB
- Signal-/brusförhållande ..... 50 dB
- Bildavvisning ..... 35 dB
- Harmonisk distorsion ..... 1,0%

## ALLMÄNT

- Strömförsörjning ..... 230 V växelström, 50 Hz
- Effektförbrukning ..... 9 W
- Mått (B x H x D) ..... 435 x 87 x 306 mm
- Vikt ..... 3,2 kg

\* Tekniska data är föremål för ändringar utan föregående avisering.

## Begränsad garanti inom Europeiska ekonomiska samarbetsområdet (EES) och Schweiz

Tack för att du har valt en produkt från Yamaha. Var god kontakta återförsäljaren av produkten, om din Yamaha-produkt av någon oförutsedd anledning kräver garantiservice. Var god kontakta Yamahas representantkontor i ditt land, om något problem uppstår. Fullständig information återfinns på vår webbplats (<http://www.yamaha-hifi.com/> eller <http://www.yamaha-uk.com/> för boende i Storbritannien).

Produkten garanteras vara felfri när det gäller utförande och material i en period på två år från ursprungligt inköpsdatum. Yamaha åtar sig att, i enlighet med nedanstående villkor, reparera, eller efter eget gottfinnande byta ut, en felaktig produkt eller någon av dess delar, utan att debitera för delar eller arbete. Yamaha förbehåller sig rätten att byta ut en produkt mot en av liknande typ och/eller värde och skick, då en viss modell har upphört eller anses ekonomisk att reparera.

### Villkor

- Ursprunglig faktura eller ursprungligt försäljningskvitto (där inköpsdatum, produktkod och återförsäljarens namn står angivet) MÅSTE följa med den felaktiga produkten, tillsammans med uppgifter om aktuellt fel. I avsaknad av ett tydligt bevis på inköp förbehåller sig Yamaha rätten att vägra erbjuda avgiftsfri service och produkten kan då komma att återsändas på kundens bekostnad.
- Produkten MÅSTE vara köpt av en AUKTORISERAD Yamaha-återförsäljare i ett EES-land eller Schweiz.
- Produkten får inte ha blivit utsatt för någon modifiering eller förändring, såvida inte skriftligt tillstånd för detta erhållits av Yamaha.
- Denna garanti inkluderar ej följande:
  - Periodiskt underhåll och reparation eller utbyte av delar på grund av normal förslitning.
  - Skada orsakad av:
    - Reparation utförd av kunden själv eller av en icke-auktoriserad tredje part.
    - Bristfällig emballering eller ovorsam hantering under transporten av produkten från kunden. Observera att det är kundens ansvar att se till att produkten är ordentligt emballerad, när produkten sänds in för reparation.
    - Felaktig användning, inklusive men ej begränsat till (a) underlåtenhet att använda produkten för dess normala syfte eller i enlighet med Yamahas anvisningar för korrekt användning, underhåll och förvaring och (b) installation eller användning av produkten på ett sätt som är oförenligt med de tekniska eller säkerhetsmässiga normer som gäller i det land där produkten används.
    - Olycka, åska, vatten, brand, dålig ventilation, batteriläckage eller någonting annat utanför Yamahas kontroll.
    - Fel på det system som denna produkt införlivas i och/eller inkompatibilitet med tredje parts produkter.
    - Användning av en produkt importerad till ett EES-land och/eller Schweiz, ej av Yamaha, där den produkten inte är i överensstämmelse med de tekniska eller säkerhetsmässiga normer som gäller i användarlandet och/eller med standardspecifikationen för en produkt såld av Yamaha i EES-området och/eller Schweiz.
- Om garantin skiljer sig åt mellan inköpslandet och användarlandet för produkten, så ska den garanti som gäller i användarlandet tillämpas.
- Yamaha kan ej hållas ansvarigt för några förluster eller skador, vare sig direkta, indirekta eller av annat slag, utom reparationen eller utbytet av produkten.
- Se till att säkerhetskopiera eventuella egna inställningar eller data, eftersom Yamaha inte kan hållas ansvarigt för några ändringar eller förluster av sådana inställningar eller data.
- Denna garanti påverkar ej konsumentens lagstadgade rättigheter enligt gällande nationella lagar eller konsumentens rättigheter gentemot återförsäljaren, vilka uppkommit genom gällande försäljnings/köpekontrakt.

## Användarinformation, beträffande insamling och dumpning av gammal utrustning och använda batterier



De symboler, som finns på produkterna, emballaget och/eller bifogade dokument talar om att de använda elektriska och elektroniska produkterna, samt batterierna, inte ska blandas med allmänt hushållsavfall. För rätt handhavande, återställande och återvinning av gamla produkter och gamla batterier, vänligen medtag dessa till lämpliga insamlingsplatser, i enlighet med din nationella lagstiftning och direktiven 2002/96/EC samt 2006/66/EC.



Genom att slänga dessa produkter och batterier på rätt sätt, kommer du att hjälpa till att rädda värdefulla resurser och förhindra möjliga negativa effekter på mänsklig hälsa och miljö, vilka i annat fall skulle kunna uppstå, p.g.a. felaktig sophantering.



För mer information om insamling och återvinning av gamla produkter och batterier, vänligen kontakta din lokala kommun, ditt sophanteringsföretag eller inköpsstället för dina varor.

### [Information om sophantering i andra länder utanför EU]

Dessa symboler gäller endast inom EU. Om du vill slänga dessa föremål, vänligen kontakta dina lokala myndigheter eller försäljare och fråga efter det korrekta sättet att slänga dem.



### Kommentar ang. batterisymbolen (de två nedersta symbolexemplen):

Denna symbol kan komma att användas i kombination med en kemisk symbol. I detta fall överensstämmer den med de krav, som har ställts genom direktiven för den aktuella kemikalien.

**Pb**

# ATTENZIONE: PRIMA DI USARE QUEST'UNITÀ.

- 1 Per assicurarsi le migliori prestazioni dell'unità, leggere questo manuale per intero. Conservarlo poi in un luogo sicuro per poterlo riutilizzare al momento del bisogno.
- 2 Installare questo sistema audio in un luogo ben ventilato, fresco, asciutto e pulito, al riparo da luce solare diretta, sorgenti di calore, vibrazioni, polvere, umidità e/o basse temperature. Per garantire una ventilazione adeguata, prevedere i seguenti spazi liberi.  
Lato superiore: 10 cm  
Lato posteriore: 10 cm
- 3 Installare quest'unità lontano da elettrodomestici, motori o trasformatori, perché possono causare ronzii.
- 4 Non esporre quest'unità a variazioni repentine della temperatura ambiente e non installarle in stanze molto umide (ad esempio dove è in uso un umidificatore) per evitare che in essa si formi condensa, che a sua volta può causare folgorazioni, incendi, guasti e/o ferite.
- 5 Evitare di installare l'unità in una posizione dove possano su di essa cadere oggetti o liquidi. Inoltre, non posare su di essa:
  - Altri componenti, dato che possono causare danni e/o lo scolorimento della superficie dell'apparecchio.
  - Candele o altri oggetti che bruciano, dato che possono causare incendi, danni all'unità e/o ferite a persone.
  - Contenitori di liquidi, dato che possono cadere e causare folgorazioni all'utente e guasti a quest'unità.
- 6 Non coprire quest'unità con giornali, tovaglie, tende o altro per non impedirne la dispersione del calore. Se la temperatura al suo interno dovesse salire, può causare incendi, guasti e/o ferite.
- 7 Non collegare quest'unità ad una presa di corrente sino a che tutti i suoi collegamenti sono completi.
- 8 Non usare l'unità capovolta. Potrebbe surriscaldarsi e guastarsi.
- 9 Non agire con forza eccessiva su interruttori, manopole e/o cavi.
- 10 Per scollegare un cavo, tirare la spina e mai il cavo stesso.
- 11 Non pulire mai quest'unità con solventi ed altre sostanze chimiche. Essi possono danneggiarne le finiture. Usare semplicemente un panno soffice e pulito.
- 12 Usare solo corrente elettrica del voltaggio indicato. L'uso di voltaggi superiori è pericoloso e può causare incendi, guasti e/o ferite. Yamaha non può venire considerata responsabile di danni risultanti dall'uso di quest'unità con un voltaggio superiore a quello prescritto.
- 13 Per evitare danni dovuti a fulmini, scollegare il cavo di alimentazione e le antenne esterne dalla presa o dall'unità durante i temporali.
- 14 Non tentare di modificare o riparare quest'unità. Affidare qualsiasi riparazione a personale qualificato Yamaha. In particolare, non aprirla mai per alcun motivo.
- 15 Se si prevede di non dover fare uso di quest'unità per qualche tempo, ad esempio per andare in vacanza, scollegarne la spina di alimentazione dalla presa di corrente.
- 16 Installare quest'unità vicino ad una presa di corrente alternata dove la spina del cavo di alimentazione possa venire facilmente raggiunta.
- 17 Prima di concludere che l'unità è guasta, non mancate di leggere la sezione di questo manuale dedicata alla "RISOLUZIONE DEI PROBLEMI".
- 18 Prima di spostare quest'unità, premere il pulsante POWER portandolo nella modalità di attesa, quindi, scollegare la spina di alimentazione dalla presa di corrente.

## AVVERTENZA

PER RIDURRE IL RISCHIO DI INCENDI E FOLGORAZIONI, NON ESPORRE QUEST'UNITÀ A PIOGGIA O UMIDITÀ.

Anche se spenta mediante il pulsante POWER, l'unità non è scollegata dalla fonte di alimentazione finché rimane inserita la spina.

## INDICAZIONI CONCERNENTI

L'APPLICAZIONE DEL D.M. 28.8.95, N. 548

SI DICHIARA CHE:

l'apparecchio:	tipo	Sintonizzatore
	marca	YAMAHA
	modello	T-S500

risponde alle prescrizioni dell'art. 2 comma 1 del D.M. 28 agosto 1995, n. 548

Fatto a Rellingen, il 15/7/2009

Yamaha Music Europe GmbH  
Siemensstr. 22-34, 25462  
Rellingen, b. Hamburg Germany

# SOMMARIO

## PREPARAZIONE

<b>CONTROLLI E FUNZIONI</b> .....	2
Pannello anteriore .....	2
Controllo dell'unità mediante telecomando.....	2
<b>COLLEGAMENTI</b> .....	3

## FUNZIONAMENTO

<b>SINTONIZZAZIONE</b> .....	4
Sintonizzazione automatica .....	4
Sintonizzazione manuale .....	4
Scelta di stazioni preselezionate .....	4
<b>PRESELEZIONE DELLE STAZIONI RADIO</b> ....	5
Preselezione automatica delle stazioni (solo stazioni FM) .....	5
Preselezione manuale delle stazioni .....	5
Cancellazione delle stazioni preselezionate.....	5
Ricezione delle informazioni Radio Data System (solo stazioni FM) .....	6
Funzione di ricerca TP (solo stazioni FM) .....	7

## INFORMAZIONI AGGIUNTIVE

<b>RISOLUZIONE DEI PROBLEMI</b> .....	8
<b>SPECIFICHE TECNICHE</b> .....	9

PREPARAZIONE

FUNZIONAMENTO

INFORMAZIONI  
AGGIUNTIVE

### ■ **Caratteristiche**

- Sintonizzatore FM/AM con preselezione di 40 stazioni
- Preselezione automatica delle stazioni (solo stazioni FM)
- Visualizzazione di informazioni testuali Radio Data System
- Display informazioni a due linee

### ■ **Accessori in dotazione**

Verificare che la confezione contenga i seguenti oggetti.

- Antenna FM interna
- Antenna AM a telaio
- Cavo RCA stereo

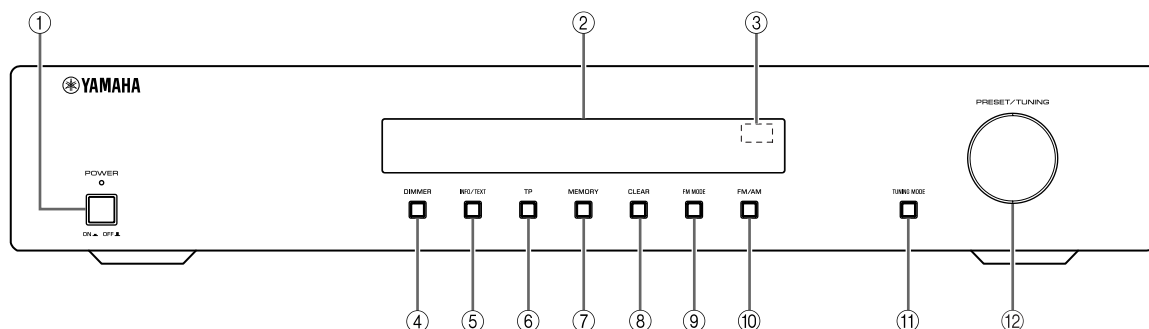
### ■ **Informazioni su questo manuale**

- ☼ indica un suggerimento riguardante un'operazione.
- Questo manuale è stato stampato prima della produzione dell'apparecchio. Design e specifiche sono soggette a modifiche in parte dovute ai miglioramenti o altro. In caso di differenze tra il manuale e il prodotto, il prodotto ha la priorità.

Italiano

# CONTROLLI E FUNZIONI

## Pannello anteriore



### ① POWER

Premere per accendere o spegnere questa unità.



L'indicatore POWER sopra il tasto si illumina per segnalare che l'unità è accesa.

### ② Display del pannello anteriore

Mostra le informazioni relative alla stazione radio FM o AM selezionata, oppure lo stato operativo.

### ③ Indicatore TP

Si illumina quando viene ricevuto il segnale di una stazione TP (Traffic Program) (vedere pagina 7).

### ④ DIMMER

Permette di modificare il livello di luminosità del display sul pannello anteriore. È possibile scegliere tra 4 differenti livelli di luminosità premendo ripetutamente il pulsante.



L'impostazione scelta è mantenuta in memoria anche dopo lo spegnimento dell'unità.

### ⑤ INFO/TEXT

Permette di attivare e cambiare la modalità di visualizzazione dei dati Radio Data System trasmessi (vedere pagina 6).

### ⑥ TP

Cerca automaticamente una stazione che trasmette un programma sul traffico (TP) (vedere pagina 7).

### ⑦ MEMORY

Permette di salvare nei numeri di preselezione le stazioni radio quando l'unità è in modalità di sintonia FM/AM (vedere pagina 5).

### ⑧ CLEAR

Cancella le stazioni preselezionate (vedere pagina 5).

### ⑨ FM MODE

Permette di scegliere la modalità di ricezione delle onde radio FM (stereo o mono) quando l'unità è in modalità di sintonia FM (vedere pagina 4).

### ⑩ FM/AM

Specifica la banda di ricezione (FM o AM).

### ⑪ TUNING MODE

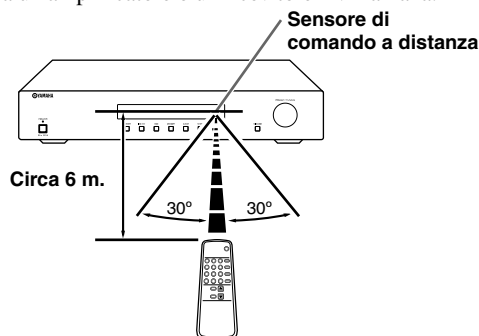
Permette di scegliere la modalità di sintonizzazione (automatica, manuale o preselezione) quando l'unità è in modalità di sintonia FM/AM (vedere pagina 4).

### ⑫ PRESET/TUNING

- Permette di scegliere le stazioni FM o AM memorizzate o i servizi quando l'unità è in modalità di sintonizzazione preselezione.
- Permette di scegliere le stazioni FM o AM memorizzate o i servizi quando l'unità non è in modalità di sintonizzazione preselezione.

## Controllo dell'unità mediante telecomando

L'unità dispone di un sensore di comando a distanza. Il sensore consente di ricevere segnali dal telecomando fornito insieme a un amplificatore o un ricevitore AV Yamaha.



### Note

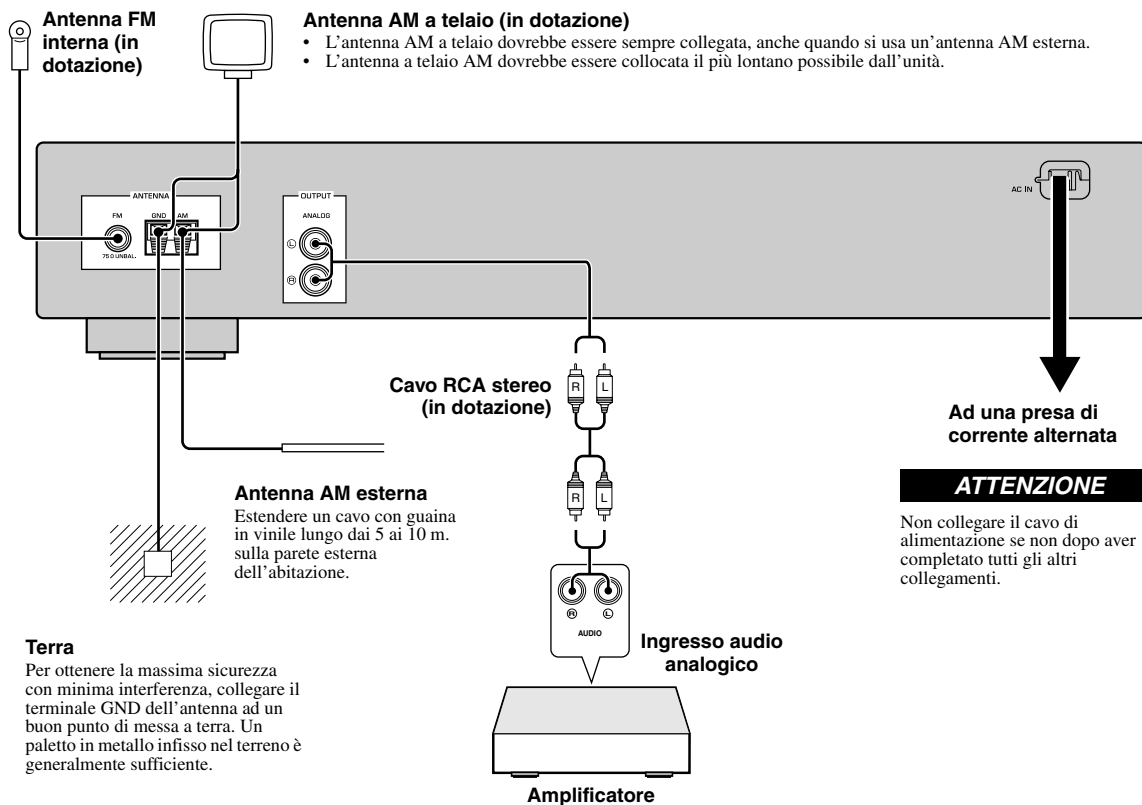
- Non collocare alcun oggetto ingombrante tra il telecomando e l'unità.
- Se il sensore viene raggiunto da una forte sorgente luminosa (specialmente una lampada a fluorescenza di tipo inverter) potrebbe non essere possibile controllare l'unità con il telecomando. In tal caso, spostare l'unità per evitare la radiazione diretta della sorgente luminosa.



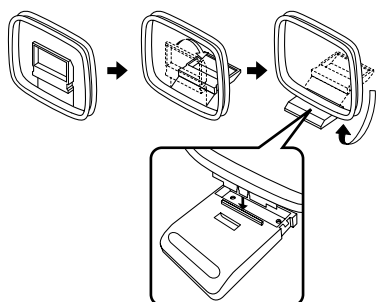
# COLLEGAMENTI

## Nota

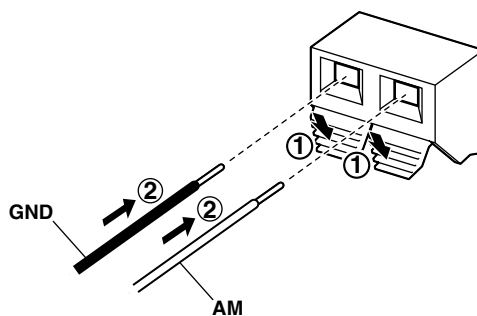
Se la ricezione è scadente, installare un'antenna esterna. Consultare in proposito il più vicino rivenditore o centro assistenza Yamaha.



## ■ Installazione dell'antenna AM a telaio



## ■ Collegamento del filo dell'antenna AM a telaio



# SINTONIZZAZIONE

## Sintonizzazione automatica

La sintonizzazione automatica funziona bene quando i segnali ricevuti sono forti e non ci sono interferenze.

**1 Premere ripetutamente FM/AM per selezionare la banda di sintonia (FM/AM).**

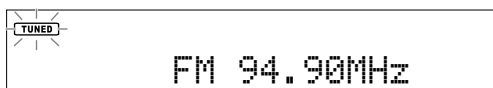
**2 Premere TUNING MODE per selezionare "Auto tune".**



◀ Auto tune ▶  
FM 87.50MHz

**3 Ruotare PRESET/TUNING per avviare la sintonizzazione automatica.**

Se una stazione è in sintonia, l'indicatore TUNED si accende e la frequenza della stazione appare sul display del pannello anteriore.



Se una stazione radio trasmette informazioni Radio Data System, tali informazioni saranno mostrate sul display del pannello anteriore.

## Sintonizzazione manuale

Se il segnale della stazione desiderata è debole, passare alla sintonizzazione manuale.

**1 Premere ripetutamente FM/AM per selezionare la banda di sintonia (FM/AM).**

**2 Premere ripetutamente TUNING MODE per selezionare "Manual tune".**



◀ Manual tune ▶  
FM 87.50MHz

**3 Ruotare PRESET/TUNING per selezionare la frequenza desiderata.**

Quando l'unità è sintonizzata su una stazione, l'indicatore TUNED si accende.

## Scelta di stazioni preselezionate

È possibile richiamare qualsiasi stazione preselezionata scegliendo il numero corrispondente.

### Nota

Per informazioni su come memorizzare le stazioni, vedere la pagina successiva.

**1 Premere ripetutamente TUNING MODE per selezionare "Preset tune".**

**2 Ruotare PRESET/TUNING per scegliere la stazione preselezionata desiderata.**

### ■ Ottimizzazione della ricezione in FM

Se il segnale di una stazione radio è debole e la qualità audio non è buona, impostando un tipo di ricezione delle onde radio in mono è possibile migliorare la ricezione del segnale.

**Premere ripetutamente FM MODE per selezionare "AUTO STEREO" (modalità stereo) o "MONO" (modalità mono) mentre l'unità è sintonizzata su una stazione FM.**

- Quando l'unità è in modalità di sintonia stereo, l'indicatore STEREO si illumina sul display del pannello anteriore.
- Quando l'unità è in modalità di sintonia mono, l'indicatore STEREO è spento.

### Nota

Anche quando l'unità è in modalità di sintonia stereo, l'indicatore STEREO rimane spento se il programma trasmesso è in mono.

# PRESELEZIONE DELLE STAZIONI RADIO

L'unità permette di memorizzare le frequenze delle stazioni preferite per una più facile sintonia. Con questa funzione è possibile preselezionare fino a 40 stazioni FM e AM.

## Preselezione automatica delle stazioni (solo stazioni FM)

### Nota

Per la preselezione delle stazioni AM, vedere "Preselezione manuale delle stazioni" in basso.

**1 Premere ripetutamente FM/AM per selezionare la banda di sintonia (FM).**

**2 Tenere premuto MEMORY per oltre 3 secondi.** "Auto Preset" lampeggia sul display del pannello anteriore. L'unità avvia la ricerca delle stazioni con il segnale più forte e ne esegue la memorizzazione automatica.



Auto Preset  
CH\_\_ FM100.05MHz

Al termine della preselezione automatica, l'unità richiama la stazione memorizzata nella posizione "01".

### Note

- La memorizzazione automatica ha luogo solo per le stazioni radio in FM con un segnale sufficientemente forte. Per effettuare la memorizzazione di una stazione con segnale debole, eseguire la sintonizzazione manuale. Vedere "Preselezione manuale delle stazioni" in basso.
- Se si esegue di nuovo la "Preselezione automatica delle stazioni", tutte le stazioni precedentemente memorizzate saranno cancellate e sostituite da quelle trovate con la nuova sintonizzazione.
- Se non viene trovata nessuna stazione, la ricerca viene interrotta e l'unità seleziona nuovamente la stazione sintonizzata prima della ricerca.

## Preselezione manuale delle stazioni

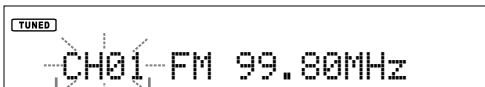
**1 Sintonizzarsi sulla stazione FM/AM desiderata.** Vedere pagina 4 per istruzioni sulla sintonizzazione.

**2 Premere MEMORY.** Il numero di preselezione lampeggia sul display del pannello anteriore per 5 secondi.

### Nota

Eseguire la prossima operazione entro 5 secondi dopo aver premuto MEMORY.

**3 Ruotare PRESET/TUNING per selezionare il numero di preselezione desiderato mentre il numero di preselezione lampeggia.**



TUNED  
CH01 FM 99.80MHz

Numero di preselezione della stazione

### Nota

Eseguire la prossima operazione entro 5 secondi dopo aver scelto il numero di preselezione della stazione.

**4 Premere nuovamente MEMORY per confermare la preselezione.**

### Note

- Quando si assegna una stazione a un numero di preselezione già occupato, la nuova stazione prenderà il posto di quella vecchia.
- La modalità di ricezione (stereo o mono) viene memorizzata insieme alla frequenza di una stazione.

## Cancellazione delle stazioni preselezionate

Per cancellare le stazioni preselezionate una alla volta, effettuare le seguenti operazioni.

**1 Richiamare la stazione preselezionata desiderata.**

Vedere "Scelta di stazioni preselezionate" a pagina 4.

**2 Premere CLEAR.**

Il numero della stazione preselezionata lampeggia sul display del pannello anteriore.

Lampeggia



← CLEAR CH01 →  
CH01 FM 99.80MHz

Se non si esegue l'operazione successiva entro 5 secondi, la cancellazione viene annullata.

**3 Premere CLEAR per confermare.**

Sul display del pannello anteriore viene visualizzato "PresetXX Cleared" (dove XX indica il numero di preselezione).



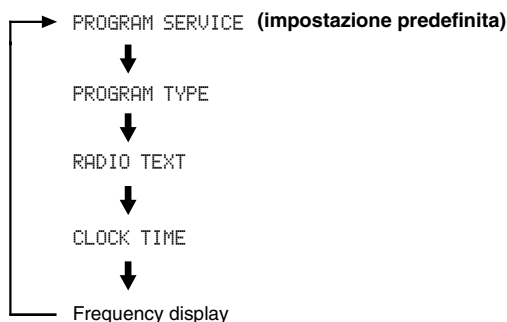
Per cancellare tutte le stazioni preselezionate, tenere premuto CLEAR per 3 secondi. Sul display del pannello anteriore viene visualizzato "ALL CLEAR".

## Ricezione delle informazioni Radio Data System (solo stazioni FM)

Radio Data System è un sistema di trasmissione dati utilizzato dalle stazioni in FM di molti paesi. Questa unità è in grado di ricevere quattro tipi di informazioni Radio Data System: Program Service, Program Type, Radio Text e Clock Time.

### 1 Sintonizzare la stazione Radio Data System desiderata.

### 2 Premere ripetutamente INFO/TEXT per selezionare il tipo di informazione Radio Data System desiderata.



- Scegliere “PROGRAM SERVICE” per visualizzare il nome del programma Radio Data System al momento ricevuto.
- Scegliere “PROGRAM TYPE” per visualizzare il tipo di programma Radio Data System al momento ricevuto.
- Scegliere “RADIO TEXT” per visualizzare le informazioni Radio Data System al momento ricevute.
- Scegliere “CLOCK TIME” per visualizzare il segnale orario.

Selezionando “PROGRAM TYPE”, sul display potranno essere visualizzati i seguenti tipi di programma.

Tipo di programma	Descrizione
News	Notizie
Current Affairs	Attualità
Information	Informazioni generali
Sport	Sport
Education	Educazione
Drama	Teatro
Cultures	Cultura

Science	Scienza
Varied Speech	Varie
Pop Music	Musica pop
Rock Music	Musica rock
Easy Listening	Musica leggera
Light Classics M	Musica classica (I)
Serious Classics	Musica classica (II)
Other Music	Altri generi
Weather & Metr	Meteo
Finance	Finanza
Children's Progs	Programmi per bambini
Social Affairs	Affari sociali
Religion	Religione
Phone In	Telefonate in diretta
Travel & Touring	Viaggi e turismo
Leisure & Hobby	Tempo libero & hobby
Jazz Music	Musica jazz
Country Music	Musica country
National Music	Musica nazionale
Oldies Music	Vecchi successi
Folk Music	Musica folk
Documentary	Documentari
Alarm Test	Allarme
Alarm-Alarm!	Allarme-Allarme!

#### Note

- La ricezione di segnale Radio Data System dalla stazione potrebbe richiedere del tempo.
- Se i segnali Radio Data System ricevuti non sono sufficientemente forti, l'unità potrebbe non essere in grado di utilizzarli. In particolare la modalità “RADIO TEXT” richiede un considerevole numero di informazioni e potrebbe non essere disponibile anche se lo sono le altre modalità di visualizzazione Radio Data System.
- In condizioni di segnale debole, premere FM MODE per selezionare la modalità di ricezione mono (vedere pagina 4).
- Se la ricezione del segnale venisse indebolita da interferenze esterne mentre l'unità sta ricevendo informazioni Radio Data System, si potrebbe verificare un'interruzione.
- Quando è selezionata la modalità “RADIO TEXT” l'unità può visualizzare le informazioni di programma per un massimo di 128 caratteri alfanumerici, compreso il simbolo dell'umlaut. I caratteri non disponibili sono visualizzati con “\_” (trattino basso). Le informazioni scorrono sul display in modo continuo.

## Funzione di ricerca TP (solo stazioni FM)

Quest'unità è in grado di ricercare automaticamente le stazioni Radio Data System che trasmettono programmi dedicati alle informazioni sul traffico (TP).

### Premere TP.

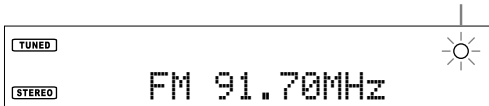
“TP SEARCH ►” lampeggia sul display del pannello anteriore per 3 secondi e la ricerca viene avviata automaticamente.

#### Lampeggia



Una volta effettuata la sintonia di una stazione TP, l'indicatore TP si illumina e la ricerca ha termine.

#### Indicatore TP



Se una stazione radio trasmette informazioni Radio Data System, tali informazioni saranno mostrate sul display del pannello anteriore.

Per ricercare la stazione TP successiva, premere TP.

### Nota

- Per interrompere la ricerca TP mentre questa è in corso, premere TP.
- Se l'unità non trova alcuna stazione TP, sul display del pannello anteriore viene visualizzato il messaggio “NO TP STATION”, e l'unità ripristina lo stato precedente la ricerca.

# RISOLUZIONE DEI PROBLEMI

Se l'unità non funziona a dovere, consultare la tabella seguente. Se il problema riscontrato non è presente nell'elenco o se i rimedi proposti non sono di aiuto, spegnere l'unità, scollegare il cavo di alimentazione e mettersi in contatto col rivenditore Yamaha autorizzato o centro assistenza Yamaha più vicino.

## ■ Sintonizzatore

Problema		Causa	Rimedio	Vedere pagina
FM	Ricezione stereo in FM disturbata.	Le caratteristiche delle trasmissioni stereo in FM possono causare questo problema se l'emittente è troppo lontana o la ricezione dell'antenna è scadente.	Controllare i collegamenti dell'antenna.	3
			Provare un'antenna FM direzionale di alta qualità.	—
	Il segnale è distorto e la ricezione non migliora neppure con una buona antenna FM.	Ci sono interferenze dovute a percorsi multipli.	Regolare la posizione dell'antenna in modo da eliminare le interferenze da percorsi multipli.	—
	Non si riesce a sintonizzarsi alla stazione con la sintonizzazione automatica.	Il segnale è troppo debole.	Provare un'antenna FM direzionale di alta qualità.	—
			Usare il metodo manuale di sintonizzazione.	4
Le informazioni Radio Data System non vengono visualizzate.	La stazione radio non trasmette informazioni Radio Data System.			
	Il segnale è troppo debole.	Provare un'antenna FM direzionale di alta qualità.	—	
AM	Non si riesce a sintonizzarsi alla stazione con la sintonizzazione automatica.	Il segnale è debole o i collegamenti dell'antenna scadenti.	Controllare i collegamenti dell'antenna AM a quadro e orientarla nel modo migliore.	—
			Usare il metodo manuale di sintonizzazione.	4
	Ci sono continui crepitii e sibili.	I rumori possono essere causati da fulmini, luci a fluorescenza, motori, termostati ed altri apparecchi elettrici.	Utilizzare un'antenna esterna ed un filo di messa a terra. Anche se questo può aiutare, è tuttavia difficile eliminare totalmente il rumore.	—
	Si sentono ronzii e sibili.	C'è un televisore acceso nelle vicinanze.	Allontanare l'unità dal televisore.	—

## ■ Problemi di carattere generale

Problema		Causa	Rimedio	Vedere pagina
L'unità non si accende quando si preme POWER.		Il cavo di alimentazione non è collegato o la spina non è bene inserita.	Collegare il cavo di alimentazione in modo stabile.	3
		L'unità è stata esposta a forti scariche elettriche (ad esempio fulmini o elettricità statica).	Disconnettere il cavo di alimentazione, attendere 30 secondi prima di ricollegarlo e utilizzare normalmente l'unità.	—
Si sente un "ronzio".	Collegamenti dei cavi errati.	Collegare stabilmente i connettori dei cavi audio. Se il problema persiste, i cavi potrebbero essere difettosi.	—	
L'unità non funziona correttamente.	Il microprocessore interno si è bloccato a causa di una scarica elettrica, ad esempio un fulmine o elettricità statica eccessiva, o a causa di un'alimentazione del voltaggio troppo bassa.	Disconnettere la spina del cavo di alimentazione dalla presa di corrente e ricollegarla dopo circa 30 secondi.	3	

# SPECIFICHE TECNICHE

## SEZIONE AUDIO

- Livello di uscita/Impedenza (fissa)
  - FM (40 kHz Dev., 1 kHz) ..... 1,0 V/1,2 k $\Omega$
  - AM (30% mod., 1 kHz) ..... 0,36 V/1,2 k $\Omega$

## SEZIONE FM

- Intervallo di sintonia ..... da 87,50 a 108,00 MHz
- 50 dB di sensibilità di silenziamento (IHF, 100% mod.)
  - Mono ..... 3  $\mu$ V (20,2 dBf)
- Sensibilità utilizzabile (rapporto segnale/rumore 30 dB)
  - Mono ..... 1,0  $\mu$ V
  - Rapporto di reiezione immagine ..... 80 dB
  - Rapporto di reiezione IF ..... 70 dB
  - Selettività (400 kHz) ..... 70 dB
- Rapporto segnale/rumore (IHF)
  - Mono/Stereo ..... 80 dB/75 dB
- Distorsione armonica (1 kHz)
  - Mono/Stereo ..... 0,3%/0,5%
- Separazione stereo (40 kHz Dev.)
  - 1 kHz ..... 43 dB
- Risposta in frequenza (da 20 Hz a 15 kHz) ..... -3 dB
- Ingresso antenna (non bilanciato) ..... 75  $\Omega$

## SEZIONE AM

- Intervallo di sintonia ..... da 531 a 1611 kHz
- Sensibilità utilizzabile ..... 300  $\mu$ V/m
- Selettività ..... 30 dB
- Rapporto segnale/rumore ..... 50 dB
- Rapporto di reiezione immagine ..... 35 dB
- Distorsione armonica ..... 1,0%

## DATI GENERALI

- Alimentazione ..... CA 230 V, 50 Hz
- Consumo elettrico ..... 9 W
- Dimensioni (L x A x P) ..... 435 x 87 x 306 mm
- Peso ..... 3,2 kg

\* Dati tecnici soggetti a modifiche senza preavviso.

## Garanzia limitata per l'Area Economica Europea (AEE) e la Svizzera

Vi ringraziamo per aver scelto un prodotto Yamaha. Nel caso raro in cui il vostro prodotto abbia bisogno di riparazioni in garanzia, entrare in contatto con il negozio in cui era stato acquistato. Se si avessero difficoltà, entrare in contatto con il rappresentante di Yamaha per il proprio paese. Sono disponibili maggiori dettagli nel nostro sito (<http://www.yamaha-hifi.com/> o <http://www.yamaha-uk.com/>, per i residenti nel Regno Unito).

Il prodotto viene garantito esente da difetti di fabbricazione e di materiali per un periodo di due anni a partire dalla data di acquisto originale. Yamaha si impegna, entro i limiti delle condizioni illustrate di seguito, a riparare (o sostituire, a discrezione esclusiva di Yamaha) il prodotto difettoso o qualsiasi sua parte senza alcun addebito per le parti o per il lavoro. Yamaha si riserva il diritto di sostituire un prodotto con uno di tipo, valore e/o condizione simile nel caso un modello particolare non sia più in produzione o sia considerato troppo costoso da riparare.

### Condizioni della garanzia

1. La fattura o ricevuta originale di pagamento (recante la data di acquisto, il numero di codice del prodotto e il nome del negozio di acquisto) DEVE accompagnare sempre il prodotto difettoso unita ad una dichiarazione descrittiva del problema accusato. In mancanza di prova esauriva dell'avvenuto acquisto, Yamaha si riserva il diritto di rifiutare di fornire riparazioni gratuite ed il prodotto può venire restituito a spese dell'utente.
2. Il prodotto DEVE esser stato acquistato da un rivenditore Yamaha AUTORIZZATO all'interno dell'Area Economica Europea (AEE) o in Svizzera.
3. Il prodotto non deve esser modificato o alterato se non dietro autorizzazione scritta di Yamaha.
4. Quanto segue viene escluso dalla presente garanzia:
  - a. Manutenzione periodica e riparazioni o sostituzione di pezzi dovute a normale invecchiamento.
  - b. Danni risultato di:
    - (1) Riparazioni eseguite dal cliente stesso o da terze parti non autorizzate.
    - (2) Imballaggio o trattamento inadeguato nel corso della spedizione del prodotto da parte del cliente. Tener presente che, al momento dell'invio del prodotto per riparazioni, è responsabilità del cliente l'assicurarsi che questo sia imballato adeguatamente.
    - (3) L'uso scorretto, compresi ma senza limitazioni (a) il mancato uso del prodotto per il suo scopo previsto o in accordo con le istruzioni di Yamaha per l'uso corretto, la manutenzione e la conservazione e (b) l'installazione o uso del prodotto in modo non conforme agli standard tecnici e di sicurezza in vigore nel paese di uso.
    - (4) Gli incidenti, i fulmini, l'acqua, gli incendi, la ventilazione scorretta, la perdita di acido dalle batterie o qualsiasi altra causa non sotto il controllo di Yamaha.
    - (5) Difetti di un sistema nel quale il prodotto è stato incorporato e/o incompatibilità con prodotti di terze parti.
    - (6) L'uso di un prodotto importato nella AEE e/o in Svizzera, non prodotto da Yamaha, nel caso il prodotto non sia conforme agli standard tecnici di sicurezza del paese di uso e/o alle caratteristiche tecniche standard dei prodotti Yamaha da vendersi nell'AEE e/o in Svizzera.
5. Dove i termini della garanzia differiscono fra il paese di acquisto e il paese di uso del prodotto, vale la garanzia del paese di uso.
6. Yamaha non può venire considerata responsabile di perdite o danni, diretti, indiretti, consequenziali o di altro tipo, se non in termini di riparazione o sostituzione del prodotto.
7. Fare una copia di riserva di impostazioni o dati personalizzati, dato che Yamaha non può venire considerata responsabile di qualsiasi alterazione o perdita di tali impostazioni o dati.
8. Questa garanzia non influenza i diritti statuari dell'utente stabiliti dalle leggi applicabili in vigore o i diritti sul negoziante derivanti dal contratto di vendita/acquisto.

## Informazioni per gli utenti sulla raccolta e lo smaltimento di vecchia attrezzatura e batterie usate



Questi simboli sui prodotti, sull'imballaggio, e/o sui documenti che li accompagnano significano che i prodotti e le batterie elettriche e elettroniche non dovrebbero essere mischiati con i rifiuti domestici generici.

Per il trattamento, recupero e riciclaggio appropriati di vecchi prodotti e batterie usate, li porti, prego, ai punti di raccolta appropriati, in accordo con la Sua legislazione nazionale e le direttive 2002/96/CE e 2006/66/CE.



Smaltendo correttamente questi prodotti e batterie, Lei aiuterà a salvare risorse preziose e a prevenire alcuni potenziali effetti negativi sulla salute umana e l'ambiente, che altrimenti potrebbero sorgere dal trattamento improprio dei rifiuti.

Per ulteriori informazioni sulla raccolta e il riciclaggio di vecchi prodotti e batterie, prego contatti la Sua amministrazione comunale locale, il Suo servizio di smaltimento dei rifiuti o il punto vendita dove Lei ha acquistato gli articoli.



### [Informazioni sullo smaltimento negli altri Paesi al di fuori dell'Unione europea]

Questi simboli sono validi solamente nell'Unione europea. Se Lei desidera disfarsi di questi articoli, prego contatti le Sue autorità locali o il rivenditore e richiedi la corretta modalità di smaltimento.

**Pb**

### Noti per il simbolo della batteria (sul fondo due esempi di simbolo):

È probabile che questo simbolo sia usato in combinazione con un simbolo chimico. In questo caso è conforme al requisito stabilito dalla direttiva per gli elementi chimici contenuti.



# PRECAUCIÓN: LEA LAS INDICACIONES SIGUIENTES ANTES DE UTILIZAR ESTE APARATO

- 1 Para asegurar el mejor rendimiento de este aparato, lea atentamente este manual. Y luego guárdelo en un lugar seguro para poder consultarlo en el futuro en caso de ser necesario.
- 2 Instale esta unidad en un lugar bien ventilado, fresco, seco y limpio - alejado de la luz solar directa, fuentes de calor, vibración, polvo, humedad y/o frío. Para una ventilación adecuada, asegúrese de dejar las distancias mínimas siguientes.  
Parte superior: 10 cm  
Parte trasera: 10 cm
- 3 Coloque este aparato lejos de otros aparatos eléctricos, motores o transformadores, para evitar así los ruidos de zumbido.
- 4 No exponga este aparato a cambios bruscos de temperaturas, del frío al calor, ni lo coloque en lugares muy húmedos (una habitación con deshumidificador, por ejemplo), para impedir así que se forme condensación en su interior, lo que podría causar una descarga eléctrica, un incendio, daños en el aparato y/o lesiones a las personas.
- 5 Evite instalar este aparato en un lugar donde puedan caerle encima objetos extraños y/o donde quede expuesto al goteo o a la salpicadura de líquidos. Encima de este aparato no ponga:
  - Otros componentes, porque pueden causar daños y/o decoloración en la superficie de este aparato.
  - Objetos con fuego (velas, por ejemplo), porque pueden causar un incendio, daños en el aparato y/o lesiones a las personas.
  - Recipientes con líquidos, porque pueden caer y derramar el líquido, causando descargas eléctricas al usuario y/o dañando el aparato.
- 6 No tape este aparato con un periódico, mantel, cortina, etc. para no impedir el escape del calor. Si aumenta la temperatura en el interior del aparato, esto puede causar un incendio, daños en el aparato y/o lesiones a las personas.
- 7 No enchufe este aparato a una toma de corriente hasta después de haber terminado todas las conexiones.
- 8 No ponga el aparato al revés. Podría recalentarse y posiblemente causar daños.
- 9 No utilice una fuerza excesiva con los conmutadores, los controles y/o los cables.
- 10 Cuando desconecte el cable de la alimentación de la toma de corriente, sujete la clavija y tire de ella; no tire del propio cable.
- 11 No limpie este aparato con disolventes químicos porque podría estropear el acabado. Utilice un paño limpio y seco para limpiar el aparato.
- 12 Utilice solamente la tensión especificada en este aparato. Utilizar el aparato con una tensión superior a la especificada resulta peligroso y puede producir un incendio, daños en el aparato y/o lesiones a las personas. Yamaha no se hará responsable de ningún daño debido al uso de este aparato con una tensión diferente de la especificada.
- 13 Para impedir daños debidos a relámpagos, mantenga el cable de alimentación y las antenas externas de la toma de corriente desconectados de la toma de corriente o la unidad durante una tormenta eléctrica.
- 14 No intente modificar ni arreglar este aparato. Póngase en contacto con el personal de servicio Yamaha cualificado cuando necesite realizar alguna reparación. La caja no deberá abrirse nunca por ninguna razón.
- 15 Cuando no piense utilizar este aparato durante mucho tiempo (cuando se ausente de casa por vacaciones, por ejemplo) desconecte el cable de alimentación de la toma de corriente.
- 16 Instale este aparato cerca de la toma de CA y donde se pueda alcanzar fácilmente la clavija de alimentación.
- 17 Asegúrese de leer la sección “SOLUCIÓN DE PROBLEMAS” antes de dar por concluido que su aparato está averiado.
- 18 Antes de trasladar este aparato, pulse POWER para ponerlo en el modo de espera, y luego desconecte el cable de alimentación de CA de la toma de corriente.

## ADVERTENCIA

PARA REDUCIR EL RIESGO DE INCENDIO O DESCARGA ELÉCTRICA, NO EXPONGA ESTE APARATO A LA LLUVIA NI A LA HUMEDAD.

Mientras esta unidad esté conectada a la toma de corriente CA, no se desconectará de la fuente de alimentación CA incluso si intenta apagar la unidad pulsando POWER.

# ÍNDICE

## PREPARACIÓN

<b>CONTROLES Y FUNCIONES.....</b>	<b>2</b>
Panel frontal.....	2
Controlar el equipo con un mando a distancia.....	2
<b>CONEXIONES .....</b>	<b>3</b>

## OPERACIONES

<b>SINTONIZACIÓN .....</b>	<b>4</b>
Sintonización automática.....	4
Sintonización manual.....	4
Selección de emisoras presintonizadas .....	4
<b>EMISORAS PRESINTONIZADAS .....</b>	<b>5</b>
Presintonización automática de emisoras (sólo emisoras de FM).....	5
Presintonización manual de las emisoras .....	5
Borrar las emisoras presintonizadas .....	5
Recibir información del sistema de datos de radio (sólo emisoras de FM).....	6
Función de búsqueda de TP (sólo emisoras de FM).....	7

## INFORMACIÓN ADICIONAL

<b>RESOLUCIÓN DE PROBLEMAS .....</b>	<b>8</b>
<b>ESPECIFICACIONES.....</b>	<b>9</b>

PREPARACIÓN

OPERACIONES

INFORMACIÓN  
ADICIONAL

### ■ Características

- Presintonización de 40 emisoras FM/AM
- Presintonización automática de emisoras (sólo emisoras de FM)
- Capacidad de visualización de información de texto del sistema de datos de radio.
- Visualización de mensajes de información de 2 líneas

### ■ Accesorios suministrados

Compruebe que ha recibido todos los componentes siguientes.

- Antena de FM interior
- Antena de cuadro de AM
- Cable estéreo RCA

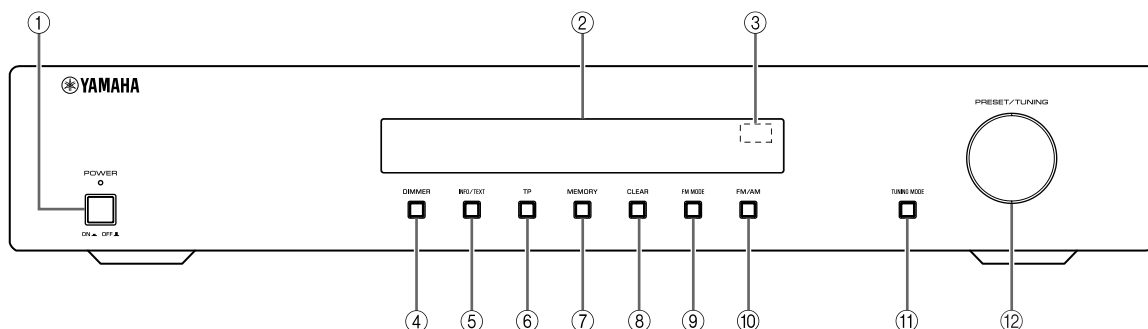
### ■ Notas sobre este manual

- ☼ indica un consejo para su utilización.
- Este manual se imprime antes de la producción. El diseño y las especificaciones están sujetos a cambios debidos a mejoras, etc. Si existen diferencias entre el manual y el producto, el producto tiene prioridad.

Español

# CONTROLES Y FUNCIONES

## Panel frontal



### ① POWER

Púlselo para activar/desactivar esta unidad.



El indicador POWER se ilumina cuando el equipo se activa.

### ② Visor del panel delantero

Visualiza información de la emisora de radio FM o AM sintonizada o el estado de funcionamiento.

### ③ Indicador luminoso TP

Se ilumina cuando se recibe una emisora que emite programas de tráfico (TP) (vea la página 7).

### ④ DIMMER

Cambia el nivel de brillo de la pantalla del panel frontal. Seleccione uno de los 4 niveles de brillo pulsando este botón de forma repetida.



Este ajuste se conserva aunque desactive el equipo.

### ⑤ INFO/TEXT

Activa y cambia el modo de visualización del sistema de datos de radio (vea la página 6).

### ⑥ TP

Busca automáticamente una emisora que emita programas de tráfico (TP) (vea la página 7).

### ⑦ MEMORY

Ajusta la unidad al modo de memoria con emisoras presintonizadas cuando está en el modo de sintonización de FM/AM (vea la página 5).

### ⑧ CLEAR

Elimina las emisoras memorizadas (vea la página 5).

### ⑨ FM MODE

Cambia el modo de recepción de ondas de radio FM (estéreo o mono) cuando la unidad está en el modo de sintonización de FM (vea la página 4).

### ⑩ FM/AM

Selecciona la banda de recepción (FM o AM).

### ⑪ TUNING MODE

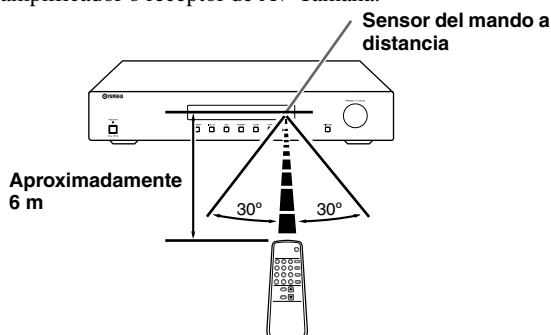
Selecciona el modo de sintonización (automático, manual o presintonización) cuando la unidad está en el modo de sintonización de FM/AM (vea la página 4).

### ⑫ PRESET/TUNING

- Selecciona los servicios o emisoras de FM o AM presintonizados cuando la unidad está en el modo de presintonización.
- Selecciona los servicios o emisoras de FM o AM cuando la unidad no está en el modo de presintonización.

## Controlar el equipo con un mando a distancia

El equipo dispone de un sensor para el mando a distancia. Recibe señales del mando a distancia incluido con un amplificador o receptor de AV Yamaha.



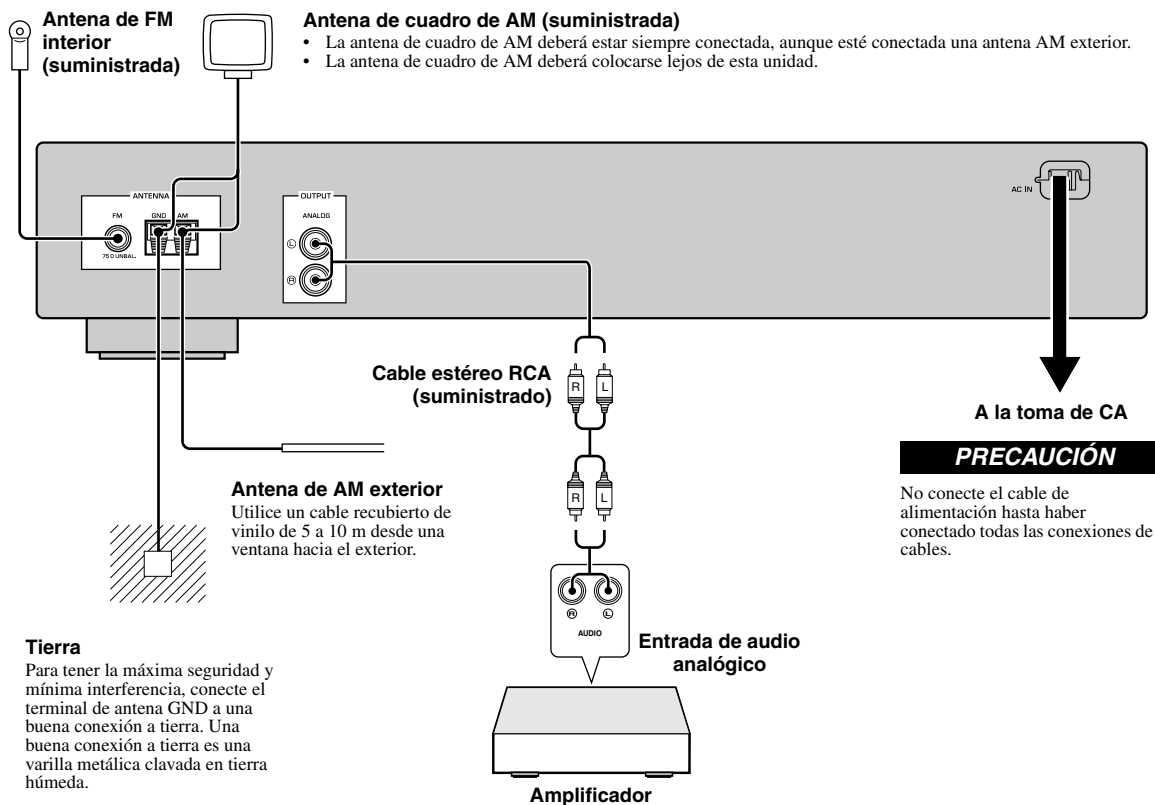
### Notas

- No sitúe grandes obstáculos entre el mando a distancia y el equipo.
- Si el sensor para el mando a distancia está sujeto a una fuerte iluminación (especialmente de una lámpara fluorescente tipo inverter), quizás no pueda controlar la unidad utilizando el mando a distancia. En este caso, coloque el equipo en un lugar distinto para evitar la luz directa.

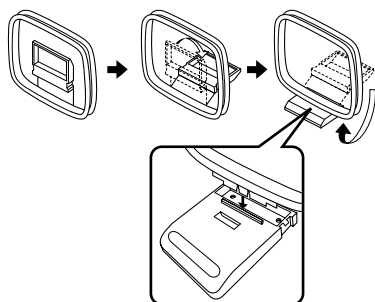
# CONEXIONES

**Nota**

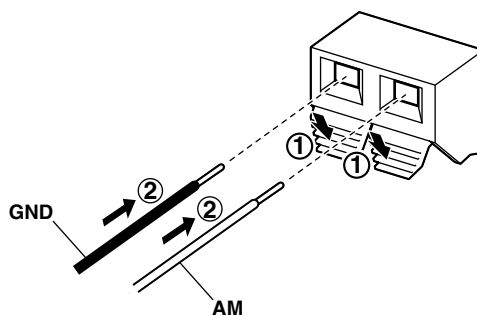
Si tiene problemas con la recepción, instale una antena exterior. Consulte al centro de servicio o concesionario Yamaha autorizado acerca de las antenas exteriores.



■ **Montaje de la antena de cuadro de AM suministrada**



■ **Conexión del cable de la antena de cuadro de AM**



# SINTONIZACIÓN

## Sintonización automática

La sintonización automática es eficaz cuando las señales de emisoras son intensas y no hay interferencias.

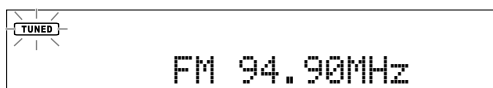
**1 Pulse FM/AM repetidamente para seleccionar la banda de recepción (FM/AM).**

**2 Pulse TUNING MODE para seleccionar la “Auto tune”.**

◀ Auto tune ▶  
FM 87.50MHz

**3 Gire PRESET/TUNING para iniciar una sintonización automática.**

Cuando el equipo sintoniza una emisora, el indicador TUNED se ilumina y la frecuencia de la emisora se visualiza en la pantalla del panel frontal.



Si la emisora ofrece información del sistema de datos de radio, la información acerca del servicio de programa se visualiza en la pantalla del panel frontal.

## Sintonización manual

Si la señal de la emisora que selecciona es débil, sintonícela manualmente.

**1 Pulse FM/AM repetidamente para seleccionar la banda de recepción (FM/AM).**

**2 Pulse TUNING MODE repetidamente para seleccionar la “Manual tune”.**

◀ Manual tune ▶  
FM 87.50MHz

**3 Gire PRESET/TUNING para seleccionar la frecuencia deseada.**

Cuando el equipo sintoniza una emisora, el indicador TUNED se ilumina.

## Selección de emisoras presintonizadas

Puede sintonizar cualquier emisora que desee, seleccionando simplemente el número de la emisora presintonizada.

### Nota

Consulte la página siguiente para obtener información acerca de las emisoras presintonizadas.

**1 Pulse TUNING MODE repetidamente para seleccionar la “Preset tune”.**

**2 Gire PRESET/TUNING para seleccionar el número de la emisora presintonizada que desee.**

### ■ Mejorar la recepción de FM

Si la señal de la emisora es débil y la calidad de sonido no es buena, ajuste el modo de recepción de la onda de radio FM al modo de sintonización mono para mejorar la recepción.

**Pulse FM MODE repetidamente para seleccionar “AUTO STEREO” (modo estéreo) o “MONO” (modo mono) cuando el equipo sintonice una emisora de radio FM.**

- Cuando el equipo está en el modo de sintonización estéreo, el indicador STEREO se ilumina en la pantalla del panel frontal.
- Cuando el equipo está en el modo de sintonización mono, el indicador STEREO se apaga.

### Nota

Aunque el equipo esté en el modo de sintonización estéreo, el indicador STEREO no se iluminará cuando el programa actual esté en mono.

# EMISORAS PRESINTONIZADAS

Puede sintonizar emisoras guardándolas (presintonización) y recuperándolas fácilmente. Esta función permite a este equipo presintonizar hasta 40 emisoras de FM y AM.

## Presintonización automática de emisoras (sólo emisoras de FM)

### Nota

Para presintonizar emisoras AM, consulte el siguiente "Presintonización manual de las emisoras".

**1 Pulse FM/AM repetidamente para seleccionar la banda de recepción (FM).**

**2 Mantenga pulsado MEMORY durante más de 3 segundos.**

La "Auto Preset" parpadea en la pantalla del panel frontal. El equipo empieza a buscar emisoras con señal intensa y las guarda automáticamente.



Auto Preset  
CH\_\_ FM100.05MHz

Una vez completada la presintonización automática de emisoras, el equipo sintoniza la emisora presintonizada al "01".

### Notas

- Sólo las emisoras de FM con suficiente intensidad de señal se guardan automáticamente. Para almacenar una emisora con intensidad de señal débil, guárdela manualmente. Consulte "Presintonización manual de las emisoras".
- Cuando reanude la "Presintonización automática de emisoras", todos los datos presintonizados se eliminarán y los nuevos datos se asignarán a cada número de presintonía.
- Si no se encuentra ninguna emisora, la búsqueda finaliza y el equipo vuelve a la emisora sintonizada antes de la búsqueda.

## Presintonización manual de las emisoras

**1 Sintonice la emisora de FM/AM deseada.**

Vea la página 4 para conocer las instrucciones de sintonización.

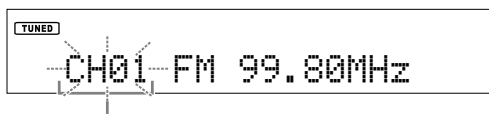
**2 Pulse MEMORY.**

El número de la emisora presintonizada parpadea en la pantalla del panel frontal durante 5 segundos.

### Nota

Realice la siguiente operación en 5 segundos, después de pulsar MEMORY.

**3 Cuando el número de emisora presintonizada parpadee, gire PRESET/TUNING para seleccionar el número deseado de emisora presintonizada.**



Número de emisora presintonizada

### Nota

Realice la siguiente operación en 5 segundos, después de seleccionar el número de emisora presintonizada.

**4 Vuelva a pulsar MEMORY para confirmar la presintonía.**

### Notas

- Cuando presintonice una nueva emisora a un número de presintonización existente, los nuevos datos de sintonización sobrescribirán los datos existentes.
- El modo de recepción (estéreo o mono) se guarda junto con la frecuencia de la emisora.

## Borrar las emisoras presintonizadas

Siga los pasos siguientes para eliminar una a una las emisoras presintonizadas.

**1 Seleccione el número de emisora presintonizada.**

Consulte "Selección de emisoras presintonizadas" en la página 4.

**2 Pulse CLEAR.**

El número de la emisora presintonizada parpadea en la pantalla del panel frontal.

Parpadea



← CLEAR CH01 →  
CH01 FM 99.80MHz

Si no realiza la siguiente operación en 5 segundos, el borrado se cancela.

**3 Pulse CLEAR para confirmar.**

"PresetXX Cleared" (XX indica el número de presintonía) aparece en la pantalla del panel frontal.



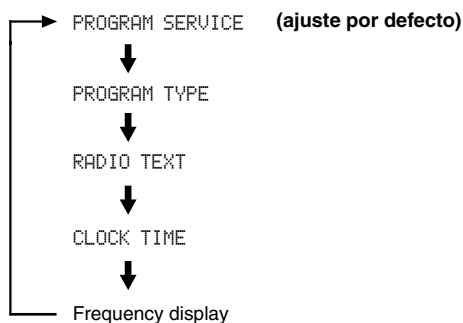
Para eliminar todas las emisoras presintonizadas, mantenga pulsado CLEAR durante 3 segundos. "ALL CLEAR" aparece en la pantalla del panel frontal.

## Recibir información del sistema de datos de radio (sólo emisoras de FM)

El sistema de datos de radio es un sistema de transmisión de datos de emisoras FM de muchos países. Este equipo puede recibir cuatro tipos de datos del sistema de datos de radio: Servicio de programa, tipo de programa, texto de radio y fecha y hora.

### 1 Sintone la emisora deseada del sistema de datos de radio.

### 2 Pulse INFO/TEXT repetidamente para seleccionar el modo de visualización del sistema de datos de radio deseado.



- Seleccione “PROGRAM SERVICE” para visualizar el nombre del programa del sistema de datos de radio que se está recibiendo.
- Seleccione “PROGRAM TYPE” para visualizar el tipo de programa del sistema de datos de radio que se está recibiendo.
- Seleccione “RADIO TEXT” para visualizar la información del programa del sistema de datos de radio que está siendo recibido.
- Seleccione “CLOCK TIME” para visualizar la hora actual.

Cuando seleccione “PROGRAM TYPE,” se visualizarán los siguientes nombres de tipos de programa.

Tipo de programa	Descripción
News	Noticias
Current Affairs	Temas actuales
Information	Información general
Sport	Deportes
Education	Educación
Drama	Drama
Cultures	Cultura

Science	Ciencia
Varied Speech	Discursos varios
Pop Music	Música pop
Rock Music	Música rock
Easy Listening	Música ligera
Light Classics M	Música clásica suave
Serious Classics	Música clásica seria
Other Music	Otra música
Weather & Metr	Tiempo y meteorología
Finance	Finanzas
Children's Progs	Programa infantil
Social Affairs	Asuntos sociales
Religion	Religión
Phone In	Tertulias radiofónicas
Travel & Touring	Viajes y turismo
Leisure & Hobby	Ocio y aficiones
Jazz Music	Música jazz
Country Music	Música country
National Music	Música nacional
Oldies Music	Música de ayer
Folk Music	Música folk
Documentary	Documentales
Alarm Test	Prueba de alarma
Alarm-Alarm!	¡Alarma-Alarma!

### Notas

- Puede que esta unidad tarde un poco en recibir todos los datos del sistema de datos de radio procedentes de la emisora.
- Si las señales que están siendo recibidas no son lo suficientemente intensas, esta unidad no podrá utilizar los datos del sistema de datos de radio. En concreto, el modo “RADIO TEXT” necesita una gran cantidad de datos y puede que no esté disponible incluso aunque otros modos de visualización del sistema de radio de datos estén disponibles.
- En caso de recepción débil, pulse FM MODE para seleccionar el modo de recepción mono (vea la página 4).
- Si la intensidad de señal se debilita debido a interferencias externas cuando el equipo está recibiendo datos del sistema de datos de radio, puede que la recepción se corte de forma inesperada.
- Cuando el modo “RADIO TEXT” está seleccionado, el equipo puede visualizar información sobre el programa con un máximo de 128 caracteres alfanuméricos, incluyendo la diéresis. Los caracteres no disponibles se visualizan con “\_” (subrayado). La información visualizada cambia continuamente.

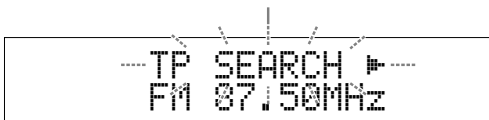
## Función de búsqueda de TP (sólo emisoras de FM)

Este aparato puede buscar automáticamente emisoras con sistema de datos de radio que emitan programas de tráfico (TP).

### Pulse TP.

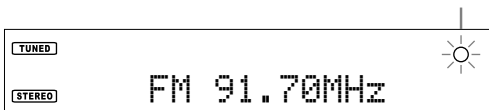
“TP SEARCH ►” parpadea en la pantalla del panel frontal durante 3 segundos y la búsqueda empieza automáticamente.

#### Parpadea



Cuando se recibe una emisora TP, el indicador luminoso TP y finaliza la búsqueda de TP.

#### Indicador luminoso TP



Si la emisora ofrece información del sistema de datos de radio, la información acerca del servicio de programa se visualiza en la pantalla del panel frontal.

Para buscar la siguiente emisora TP, pulse TP.

### Nota

- Pulse TP durante la búsqueda de TP para cancelarla.
- Si no se encuentran emisoras de TP, aparece “NO TP STATION” en la pantalla del panel frontal y el aparato vuelve al estado anterior a la búsqueda.



# RESOLUCIÓN DE PROBLEMAS

Consulte la tabla inferior cuando el equipo no funcione correctamente. Si el problema surgido no aparece en la siguiente lista o las instrucciones no le ayudan, desactive el equipo, desconecte el cable de alimentación y consulte con un centro de servicio o con un distribuidor Yamaha autorizado.

## ■ Sintonizador

Problema		Causa	Remedio	Vea la página
FM	La recepción de FM estéreo tiene ruidos.	Las características de las emisiones de FM estéreo pueden causar este problema cuando el transmisor está muy lejos o la entrada de la antena es mala.	Verifique las conexiones de la antena.	3
			Intente utilizar una antena de FM direccional de alta calidad.	—
	Hay distorsión y no se puede obtener una buena recepción a pesar de utilizar una buena antena de FM.	Hay interferencia de trayectorias múltiples.	Ajuste la posición de la antena para eliminar la interferencia de trayectorias múltiples.	—
	La emisora deseada no se puede sintonizar con el método de sintonización automática.	La señal es demasiado débil.	Utilice una antena de FM direccional de alta calidad.	—
			Utilice el método de sintonización manual.	4
La información del sistema de datos de radio no aparece.	La emisora de radio no ofrece información del sistema de datos de radio.			
	La señal es demasiado débil.	Utilice una antena de FM direccional de alta calidad.	—	
AM	La emisora deseada no se puede sintonizar con el método de sintonización automática.	La señal es débil o las conexiones de la antena están flojas.	Apriete las conexiones de la antena de cuadro de AM y oriéntela para obtener la mejor recepción.	—
			Utilice el método de sintonización manual.	4
	Se oye un ruido continuo de fritura y crepitación.	El ruido puede deberse a relámpagos, fluorescentes, motores, termostatos y otros equipos eléctricos.	Utilice una antena exterior y un cable de tierra. Esto ayudará algo, pero será difícil eliminar todo el ruido.	—
	Hay ruidos de zumbidos y aullidos.	Se está utilizando cerca un aparato de TV.	Separe esta unidad del TV.	—

## ■ Generales

Problema		Causa	Remedio	Vea la página
El equipo no se activa cuando se pulsa POWER.		El cable de alimentación no está conectado o el conector no se ha insertado completamente.	Conecte el cable de alimentación firmemente.	3
		Esta unidad ha sido expuesta a una descarga eléctrica externa intensa (rayo o electricidad estática intensa).	Desconecte el cable de alimentación, vuelva a conectarlo al cabo de 30 segundos y, a continuación, utilícelo con normalidad.	—
Se oye un sonido de "zumbido".	Conexión incorrecta de los cables.	Conecte firmemente los conectores de las conexiones de audio. Si el problema persiste, los cables podrán estar defectuosos.	—	
Este equipo no funciona correctamente.	El microprocesador interno ha sido dañado por una descarga eléctrica externa (rayo o electricidad estática excesiva) o por una alimentación de baja tensión.	Desconecte el conector de CA de la toma y vuelva a conectarlo después de 30 segundos.	3	

# ESPECIFICACIONES

## SECCIÓN DE AUDIO

- Nivel de salida/Impedancia (fija)
  - FM (40 kHz Dev., 1kHz) ..... 1,0 V/1,2 k $\Omega$
  - AM (30% mod., 1 kHz) ..... 0,36 V/1,2 k $\Omega$

## SECCIÓN DE FM

- Intervalo de sintonización de ..... 87,50 a 108,00 MHz
- Umbral de silenciamiento de 50 dB (IHF, 100% mod.)
  - Mono ..... 3  $\mu$ V (20,2 dBf)
- Sensibilidad útil (relación señal/ruido de 30 dB)
  - Mono ..... 1,0  $\mu$ V
  - Relación de rechazo a la frecuencia de imagen ..... 80 dB
  - Relación de rechazo a la IF ..... 70 dB
  - Selectividad (400 kHz) ..... 70 dB
- Relación señal a ruido (IHF)
  - Mono/estéreo ..... 80 dB/75 dB
- Distorsión armónica (1 kHz)
  - Mono/estéreo ..... 0,3%/0,5%
- Separación estéreo (40 kHz Dev.)
  - 1 kHz ..... 43 dB
- Frecuencia de respuesta (de 20 Hz a 15 kHz)..... -3 dB
- Entrada de antena (desequilibrada) ..... 75  $\Omega$

## SECCIÓN DE AM

- Intervalo de sintonización de ..... 531 a 1611 kHz
- Sensibilidad útil ..... 300  $\mu$ V/m
- Selectividad ..... 30 dB
- Relación señal/ruido ..... 50 dB
- Relación de rechazo a la frecuencia de imagen ..... 35 dB
- Distorsión armónica ..... 1,0%

## GENERALIDADES

- Alimentación ..... CA 230 V, 50 Hz
- Consumo eléctrico ..... 9 W
- Dimensiones (An x Al x Prof) ..... 435 x 87 x 306 mm
- Peso ..... 3,2 kg

\* Las especificaciones están sujetas a cambios sin previo aviso.

## Garantía limitada para el Área Económica Europea (AEE) y Suiza

Gracias por haber elegido un producto Yamaha. En el caso poco probable de que su producto Yamaha necesite el servicio que concede la garantía, póngase en contacto por favor con el concesionario a quien adquirió el producto. Si usted tiene alguna dificultad, póngase en contacto por favor con la oficina representativa de Yamaha en su país. Podrá encontrar todos los detalles necesarios en nuestros sitios Web (<http://www.yamaha-hifi.com/> o <http://www.yamaha-uk.com/> para los residentes del Reino Unido).

El producto tiene una garantía de dos años, a partir de la fecha de la compra original, que cubre las reparaciones de las averías que pueda tener debido a defectos en la mano de obra o en los materiales empleados en su fabricación. Yamaha se compromete, sujeto a las condiciones listadas más abajo, a reparar el producto o cualquier pieza (o piezas) que tenga defectos, o a sustituirlo, a discreción de Yamaha, sin cobrar ningún honorario por las piezas o la mano de obra. Yamaha se reserva el derecho de reemplazar un producto por otro de clase y/o precio y condiciones similares, en el caso de que éste no se fabrique más o se considere que las reparaciones resultan poco económicas.

### Condiciones de la garantía

1. El producto defectuoso DEBERÁ ir acompañado de la factura o recibo de venta original (que muestre la fecha de la compra, el código del producto y el nombre del concesionario), junto con una explicación que describa detalladamente la avería. Si falta esta prueba clara de la compra, Yamaha se reserva el derecho a no proveer el servicio de reparaciones gratis, y el producto podrá ser devuelto al cliente corriendo éste con todos los gastos relacionados con el envío.
2. El producto DEBERÁ haber sido adquirido en el establecimiento de un concesionario Yamaha AUTORIZADO dentro del Área Económica Europea (AEE) o Suiza.
3. El producto no deberá haber sido sometido a ninguna modificación ni alteración, a menos que ésta haya sido autorizada por escrito por Yamaha.
4. De esta garantía se excluye lo siguiente:
  - a. El mantenimiento periódico y la reparación o sustitución de piezas debidos al desgaste natural.
  - b. Los daños debidos a:
    - (1) Reparaciones realizadas por el propio cliente o por un tercero que no cuente con ninguna autorización.
    - (2) Embalaje inadecuado o maltrato, cuando el producto está siendo transportado desde el lugar de residencia del cliente. Tenga en cuenta que el cliente es el responsable de embalar el producto adecuadamente cuando éste es devuelto para ser reparado.
    - (3) Mal uso, incluyendo, pero sin limitarse a: (a) no usar el producto de forma normal o no seguir las instrucciones de uso, mantenimiento y almacenamiento apropiadas indicadas por Yamaha, y (b) instalación o uso del producto de forma inconsistente con las normas técnicas o de seguridad vigentes en el país donde éste se utiliza.
    - (4) Accidentes, rayos, agua, fuego, ventilación inadecuada, fuga de baterías o cualquier otra causa fuera del control de Yamaha.
    - (5) Defectos del sistema en el que se incorpora este producto e/o incompatibilidad con productos de terceros.
    - (6) Uso de un producto importado en la AEE y/o Suiza, no por Yamaha, donde ese producto no cumple con las normas técnicas o de seguridad del país donde se usa y/o con la especificación estándar de un producto vendido por Yamaha en la AEE y/o en Suiza.
5. Cuando las garantías del país donde se compra el producto y del país donde éste se usa son diferentes se aplicará la garantía del país donde se usa el producto.
6. Yamaha no se hará responsable de ninguna pérdida o daño directo, emergente o de cualquier otro tipo; sólo se hará responsable de la reparación o sustitución del producto.
7. Haga una copia de seguridad de cualquier configuración o datos personalizados, ya que Yamaha no se hará responsable de ninguna alteración o pérdida que tal configuración o datos puedan sufrir.
8. Esta garantía no afecta a los derechos legales del consumidor bajo las leyes nacionales aplicables vigentes, ni a los derechos del consumidor contra el concesionario surgidos de su contrato de venta/compra.

## Información para usuarios sobre recolección y disposición de equipamiento viejo y baterías usadas



Estos símbolos en los productos, embalaje, y/o documentación que se acompañe significan que los productos electrónicos y eléctricos usados y las baterías usadas no deben ser mezclados con desechos domésticos corrientes.

Para el tratamiento, recuperación y reciclado apropiado de los productos viejos y las baterías usadas, por favor llévelos a puntos de recolección aplicables, de acuerdo a su legislación nacional y las directivas 2002/96/EC y 2006/66/EC.



Al disponer de estos productos y baterías correctamente, ayudará a ahorrar recursos valiosos y a prevenir cualquier potencial efecto negativo sobre la salud humana y el medio ambiente, el cual podría surgir de un inapropiado manejo de los desechos.



Para más información sobre recolección y reciclado de productos viejos y baterías, por favor contacte a su municipio local, su servicio de gestión de residuos o el punto de venta en el cual usted adquirió los artículos.

### [Información sobre la disposición en otros países fuera de la Unión Europea]

Estos símbolos sólo son válidos en la Unión Europea. Si desea deshacerse de estos artículos, por favor contacte a sus autoridades locales y pregunte por el método correcto de disposición.



### Nota sobre el símbolo de la batería (ejemplos de dos símbolos de la parte inferior)

Este símbolo podría ser utilizado en combinación con un símbolo químico. En este caso el mismo obedece a un requerimiento dispuesto por la Directiva para el elemento químico involucrado.

**Pb**

# LET OP: LEES HET VOLGENDE VOOR U DIT TOESTEL IN GEBRUIK NEEMT.

- 1 Om er zeker van te kunnen zijn dat u de optimale prestaties uit uw toestel haalt, dient u deze handleiding zorgvuldig door te lezen. Bewaar de handleiding op een veilige plek zodat u er later nog eens iets in kunt opzoeken.
- 2 Installeer dit toestel op een goed geventileerde, koele, droge en schone plek uit de buurt van direct zonlicht, warmtebronnen, trillingen, stof, vocht, en/of kou. Houd de volgende minimumruimte aan voor ventilatiedoelinden.  
Boven: 10 cm  
Achter: 10 cm
- 3 Plaats dit toestel uit de buurt van andere elektrische apparatuur, motoren of transformatoren om storend gebrom te voorkomen.
- 4 Stel dit toestel niet bloot aan plotselinge temperatuurswisselingen van koud naar warm en plaats het toestel niet in een omgeving met een hoge vochtigheidsgraad (bijv. in een ruimte met een luchtbevochtiger) om te voorkomen dat zich binnenin het toestel condens vormt, wat zou kunnen leiden tot elektrische schokken, brand, schade aan dit toestel en/of persoonlijk letsel.
- 5 Vermijd plekken waar andere voorwerpen op het toestel kunnen vallen, of waar het toestel blootstaat aan druppelende of spattende vloeistoffen. Plaats de volgende dingen niet bovenop dit toestel:
  - Andere componenten, daar deze schade kunnen veroorzaken en/of de afwerking van dit toestel kunnen doen verkleuren.
  - Brandende voorwerpen (bijv. kaarsen), daar deze brand, schade aan dit toestel en/of persoonlijk letsel kunnen veroorzaken.
  - Voorwerpen met vloeistoffen, daar deze elektrische schokken voor de gebruiker en/of schade aan dit toestel kunnen veroorzaken wanneer de vloeistof daaruit in het toestel terecht komt.
- 6 Dek het toestel niet af met een krant, tafellaken, gordijn enz. zodat de koeling niet belemmerd wordt. Als de temperatuur binnenin het toestel te hoog wordt, kan dit leiden tot brand, schade aan het toestel en/of persoonlijk letsel.
- 7 Steek de stekker van dit toestel pas in het stopcontact als alle aansluitingen gemaakt zijn.
- 8 Gebruik het toestel niet wanneer het ondersteboven is geplaatst. Het kan hierdoor oververhit raken, wat kan leiden tot schade.
- 9 Gebruik geen overdreven kracht op de schakelaars, knoppen en/of snoeren.
- 10 Wanneer u de stekker uit het stopcontact haalt, moet u aan de stekker zelf trekken, niet aan het snoer.
- 11 Maak dit toestel niet schoon met chemische oplosmiddelen; dit kan de afwerking beschadigen. Gebruik alleen een schone, droge doek.
- 12 Gebruik alleen het op dit toestel aangegeven voltage. Gebruik van dit toestel bij een hoger voltage dan aangegeven is gevaarlijk en kan leiden tot brand, schade aan het toestel en/of persoonlijk letsel. Yamaha aanvaardt geen aansprakelijkheid voor enige schade veroorzaakt door gebruik van dit toestel met een ander voltage dan aangegeven staat.
- 13 Om schade door blikseminslag te voorkomen, dient u ervoor te zorgen dat de stekker en de buitenantennes niet zijn aangesloten op het stopcontact en het toestel wanneer het onweert.
- 14 Probeer niet zelf wijzigingen in dit toestel aan te brengen of het te repareren. Neem contact op met erkend Yamaha servicepersoneel wanneer u vermoedt dat het toestel reparatie behoeft. Probeer in geen geval de behuizing open te maken.
- 15 Wanneer u dit toestel voor langere tijd niet zult gebruiken (bijv. vakantie), dient u de stekker uit het stopcontact te halen.
- 16 Installeer dit toestel in de buurt van een stopcontact op een plek waar u de stekker gemakkelijk kunt bereiken.
- 17 Lees het hoofdstuk “VERHELPELEN VAN STORINGEN” over veel voorkomende vergissingen bij de bediening voor u de conclusie trekt dat het toestel een storing of defect vertoont.
- 18 Voor u dit toestel verplaatst, dient u op POWER te drukken om dit toestel uit (standby) te schakelen en de stekker uit het stopcontact te halen.

## WAARSCHUWING

OM DE RISICO'S VOOR BRAND OF ELEKTRISCHE SCHOKKEN TE VERMINDEREN, MAG U DIT TOESTEL IN GEEN GEVAL BLOOTSTELLEN AAN VOCHT OF REGEN.

Zolang het toestel is aangesloten op het lichtnet, is het niet afgesloten van de stroombron, zelfs als u het toestel uitschakelt met de knop POWER.

# INHOUD

## VOORBEREIDINGEN

<b>REGELAARS EN HUN FUNCTIES</b> .....	2
Voorpaneel.....	2
Dit apparaat met een afstandsbediening bedienen.....	2
<b>AANSLUITINGEN</b> .....	3

## BEDIENING

<b>AFSTEMMEN</b> .....	4
Automatisch afstemmen .....	4
Handmatig afstemmen .....	4
Selecteren van voorkeuzezenders .....	4
<b>VOORKEUZESTATIONS INSTELLEN</b> .....	5
Automatische instelling van voorkeuzezenders (alleen FM-stations) .....	5
Handmatige instelling van voorkeuzezenders .....	5
Een voorkeuzestation wissen .....	5
Gegevens van het Radio Data Systeem ontvangen (alleen FM-stations) .....	6
TP-zoekfunctie (alleen FM-stations) .....	7

## AANVULLENDE INFORMATIE

<b>PROBLEMEN OPLOSSEN</b> .....	8
<b>SPECIFICATIES</b> .....	9

### ■ Kenmerken

- 40 voorkeuzezenders (FM/AM)
- Automatische instelling van voorkeuzezenders (alleen FM-stations)
- Weergavemogelijkheid voor informatie van het Radio Data Systeem
- Berichtenweergave op 2 regels

### ■ Meegeleverde accessoires

Controleer of u alle volgende onderdelen inderdaad ontvangen hebt.

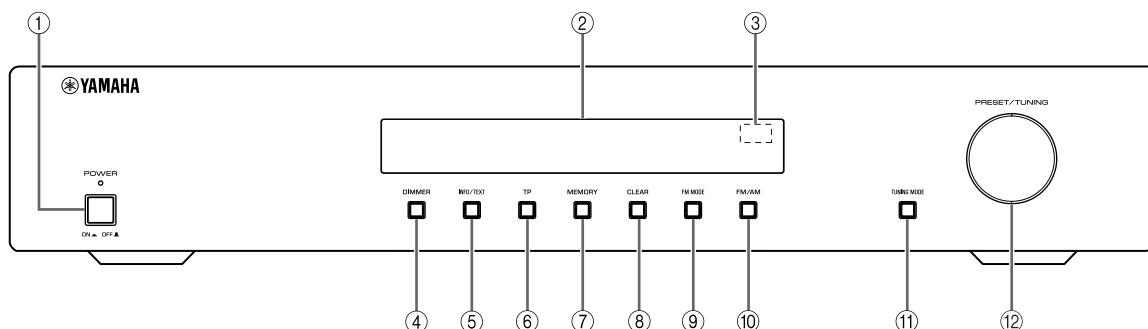
- FM-binnenantenne
- AM-ringantenne
- RCA-stereokabel

### ■ Over deze handleiding

- ☞ geeft een bedieningstip aan.
- Deze handleiding is gedrukt voor uw toestel geproduceerd werd. Daarom kunnen ontwerp en specificaties gewijzigd zijn als gevolg van verbeteringen, enz. Als de handleiding en het product van elkaar verschillen, heeft het product de prioriteit.

# REGELAARS EN HUN FUNCTIES

## Voorpaneel



### ① POWER

Druk om dit toestel in te schakelen.



Het AAN/UIT-lampje hierboven gaat branden wanneer het apparaat aan staat.

### ② Display voorpaneel

Geeft informatie weer over het huidige afgestemde FM- of AM-radiostation of de bedieningsstatus.

### ③ TP-indicatorlampje

Brandt als er een programma met verkeersinformatie (Traffic Program - verkeersprogramma) wordt ontvangen (zie bladzijde 7).

### ④ DIMMER

Wijzigt de helderheid van het de voorpaneeldisplay. Kies de helderheid uit 4 niveaus door herhaaldelijk op deze toets te drukken.



Deze instelling wordt behouden, zelfs als u dit toestel uitschakelt.

### ⑤ INFO/TEXT

Zet de weergavemodus van het Radio Data Systeem aan of wijzigt die (zie bladzijde 6).

### ⑥ TP

Zoekt automatisch naar een station dat verkeersinformatie uitzendt (Traffic Program - verkeersprogramma) (zie bladzijde 7).

### ⑦ MEMORY

Stelt dit toestel in op de voorkeuzegeheugenmodus wanneer het toestel in FM/AM-afstemmodus staat (zie bladzijde 5).

### ⑧ CLEAR

Wist de voorkeuzestations (zie bladzijde 5).

### ⑨ FM MODE

Schakelt de FM-radio-ontvangstmodus (stereo of mono) in wanneer het toestel in FM-afstemmodus staat (zie bladzijde 4).

### ⑩ FM/AM

Selecteert de ontvangstband (FM of AM).

### ⑪ TUNING MODE

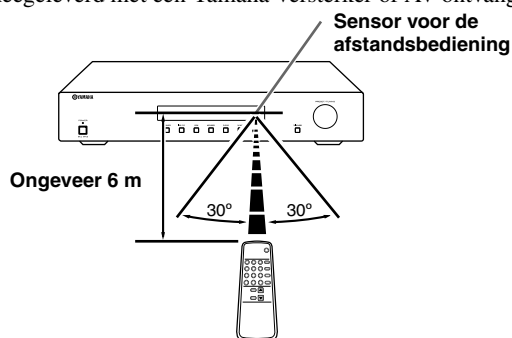
Selecteert de afstemmodus (automatisch, handmatig of voorkeuze) wanneer dit toestel in FM/AM-afstemmodus staat (zie bladzijde 4).

### ⑫ PRESET/TUNING

- Selecteert de FM- of AM-voorkeuzestations of diensten wanneer dit toestel in voorkeuze-afstemmodus staat.
- Selecteert FM- of AM-stations of diensten wanneer dit toestel niet in voorkeuze-afstemmodus staat.

## Dit apparaat met een afstandsbediening bedienen

Dit apparaat heeft een afstandsbedieningssensor. Het ontvangt signalen van een afstandsbediening die is meegeleverd met een Yamaha-versterker of AV-ontvanger.



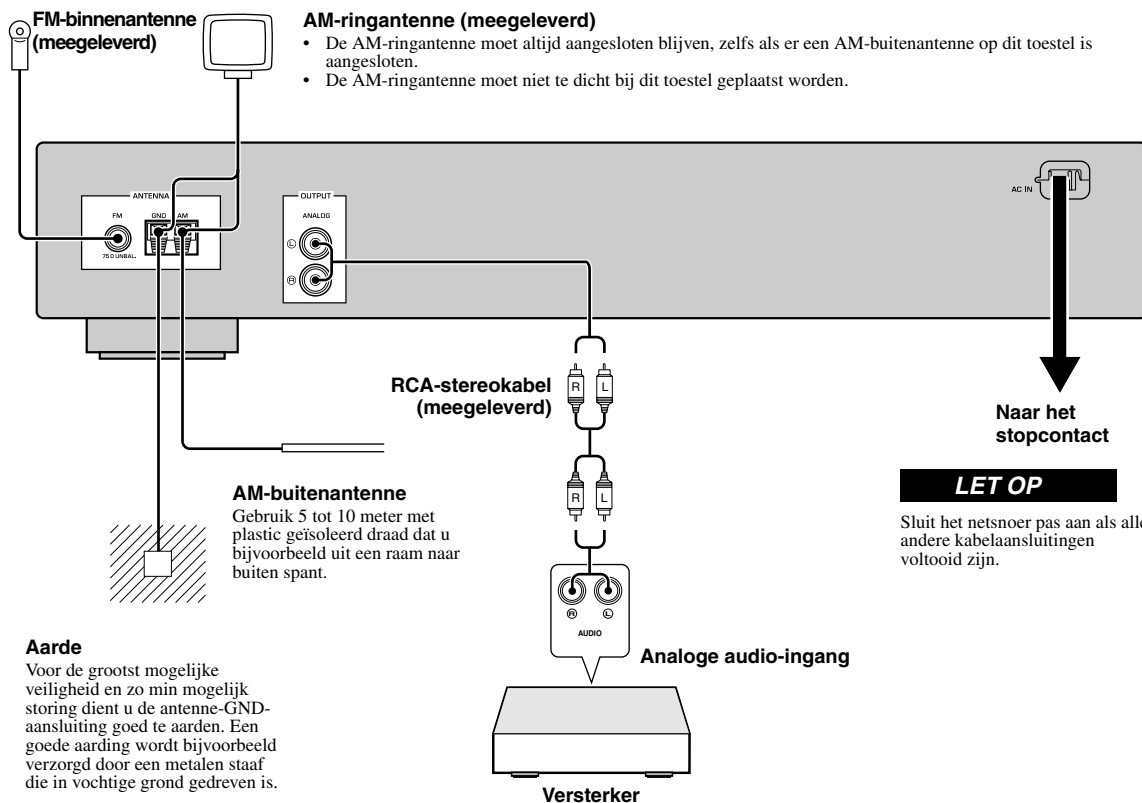
### Opmerkingen

- Plaats geen grote obstakels tussen de afstandsbediening en het apparaat.
- Als de afstandsbedieningssensor rechtstreeks wordt belicht door een sterke lichtbron (bijv. een TL-lamp met voorschakelaar), dan lukt het bedienen van het apparaat met de afstandsbediening misschien niet. In dat geval verplaatst u het apparaat om rechtstreeks licht te voorkomen.

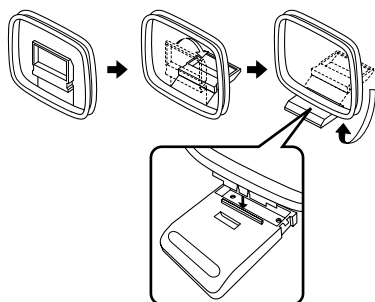
# AANSLUITINGEN

## Opmerking

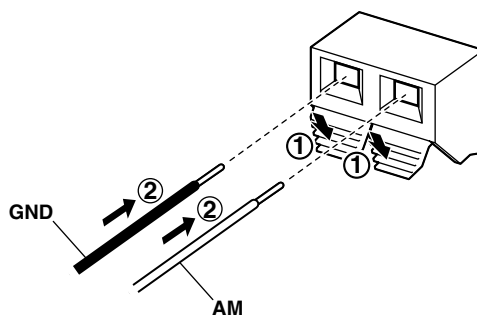
Als u last heeft van een slechte ontvangst, kunt u een buitenantenne installeren. Vraag bij uw dichtstbijzijnde erkende Yamaha-dealer of -servicecentrum naar de mogelijkheden met buitenantennes.



## ■ In elkaar zetten van de meegeleverde AM-ringantenne



## ■ Aansluiten van de draad van de AM-ringantenne



# AFSTEMMEN

## Automatisch afstemmen

Automatisch afstemmen gaat goed wanneer u sterke signalen ontvangt en er weinig storing is.

**1 Druk zo vaak op FM/AM als nodig om de ontvangstband (FM/AM) te selecteren.**

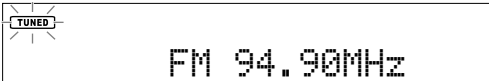
**2 Druk op TUNING MODE (afstemmodus) om “Auto tune” (automatisch afstemmen) te selecteren.**



◀ Auto tune ▶  
FM 87.50MHz

**3 Draai aan PRESET/TUNING (voorkeur/afstemmen) om het automatisch afstemmen te starten.**

Wanneer het toestel is afgestemd op een zender, zal de indicator TUNED (afgestemd) oplichten en zal de frequentie waarop is afgestemd worden getoond op het display.



TUNED  
FM 94.90MHz



Als het station gegevens van het Radio Data Systeem biedt, wordt programma-informatie weergegeven op het display.

## Handmatig afstemmen

Als het signaal van de zender waar u op wilt afstemmen te zwak is, moet u er met de hand op afstemmen.

**1 Druk zo vaak op FM/AM als nodig om de ontvangstband (FM/AM) te selecteren.**

**2 Druk op TUNING MODE (afstemmodus) om “Manual tune” (handmatig afstemmen) te selecteren.**



◀ Manual tune ▶  
FM 87.50MHz

**3 Draai aan PRESET/TUNING om de gewenste frequentie te selecteren.**

Wanneer dit toestel staat afgestemd op een zender, licht de TUNED-indicator op.

## Selecteren van voorkeuzezenders

U kunt gemakkelijk afstemmen op de gewenste zender door het voorkeuzenummer te selecteren.

### Opmerking

Zie de volgende pagina voor het instellen van voorkeuzezenders.

**1 Druk op TUNING MODE (afstemmodus) om “Preset tune” (voorkeuze afstemmen) te selecteren.**

**2 Draai aan PRESET/TUNING om het gewenste voorkeuzestationsnummer te selecteren.**

### ■ FM-ontvangst verbeteren

Als het signaal van het station zwak is en de geluidskwaliteit is niet goed, stel dan de FM-radio-ontvangstmodus in op mono om de ontvangst te verbeteren.

**Druk meerdere malen op FM MODE (FM-modus) om “AUTO STEREO” (stereomodus) of “MONO” (monomodus) te selecteren wanneer het apparaat is afgestemd op een FM-radiostation.**

- Wanneer het apparaat in stereo-afstemmodus staat, brandt de STEREO-indicator op het display.
- Wanneer het apparaat in mono-afstemmodus staat, gaat de STEREO-indicator uit.

### Opmerking

Zelfs als het apparaat in stereo-afstemmodus staat, gaat de STEREO-indicator niet branden als het huidige programma mono is.



# VOORKEUZESTATIONS INSTELLEN

U kunt gemakkelijk op stations afstemmen door ze op te slaan (voorkeuzes) en weer op te roepen. Met deze functie kunt u maximaal 40 FM- en AM-stations opslaan.

## Automatische instelling van voorkeuzezenders (alleen FM-stations)

### Opmerking

Wilt u AM-stations instellen, zie “Handmatige instelling van voorkeuzezenders” hieronder.

**1 Druk zo vaak op FM/AM als nodig om de ontvangstband (FM) te selecteren.**

**2 Houd MEMORY ten minste 3 seconden ingedrukt.**

“Auto Preset” (automatische voorkeuze) knippert op het display. Het apparaat gaat stations met sterke signalen zoeken en slaat ze automatisch op.



Auto Preset  
CH \_\_\_ FM 100.05MHz

Wanneer het automatisch instellen van stations klaar is, stemt het apparaat af op voorkeuzestation “01”.

### Opmerkingen

- Alleen FM-stations met voldoende sterk signaal worden automatisch opgeslagen. Wilt u een zwak signaal opslaan, doe dat dan handmatig. Zie “Handmatige instelling van voorkeuzezenders” hieronder.
- Wanneer u nogmaals “Automatische instelling van voorkeuzezenders” start, worden alle voorkeuzegegevens gewist en worden nieuwe voorkeuzegegevens ingesteld voor de diverse voorkeuzenummers.
- Als er geen station wordt gevonden, wordt het zoeken beëindigd en keert het apparaat terug naar het laatste station waarop was afgestemd voordat u ging zoeken.

## Handmatige instelling van voorkeuzezenders

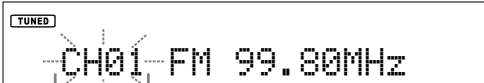
**1 Stem af op het gewenste FM/AM-station.**  
Zie bladzijde 4 voor aanwijzingen over hoe u moet afstemmen op een zender.

**2 Druk op MEMORY (geheugen).**  
Het voorkeuzenummer flinkt 5 seconden lang op het display.

### Opmerking

Voer de volgende handeling uit binnen 5 seconden nadat u op MEMORY hebt gedrukt.

**3 Draai PRESET/TUNING naar het gewenste voorkeuzenummer terwijl het voorkeuzenummer flinkt.**



TUNED  
CH01 FM 99.80MHz

Voorkeuzenummer

### Opmerking

Voer de volgende handeling uit binnen 5 seconden nadat u het voorkeuzenummer hebt geselecteerd.

**4 Druk nogmaals op MEMORY om de voorkeuze te bevestigen.**

### Opmerkingen

- Wanneer u een nieuw station toekent aan een bestaande voorkeuze, dan overschrijven de nieuwe gegevens de bestaande voorkeuzegegevens.
- De soort ontvangst (stereo of mono) wordt samen met de frequentie van de zender opgeslagen.

## Een voorkeuzestation wissen

Volg onderstaande stappen om een enkel voorkeuzestation te wissen.

**1 Selecteer het gewenste voorkeuzenummer.**  
Zie “Selecteren van voorkeuzezenders” op pagina 4.

**2 Druk op CLEAR (wissen).**

Het geselecteerde voorkeuzenummer flinkt op het display.

Knippert



← CLEAR CH01 →  
CH01 FM 99.80MHz

Als u de volgende handeling niet binnen 5 seconden uitvoert, wordt het wissen geannuleerd.

**3 Druk op CLEAR om te bevestigen.**  
“PresetXX Cleared” (voorkeuzeXX gewist - XX geeft het voorkeuzenummer aan) verschijnt op het display.



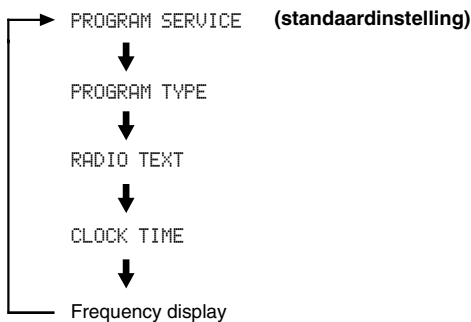
Wilt u alle voorkeuzestations wissen, houd dan CLEAR 3 seconden lang ingedrukt. “ALL CLEAR” (alles wissen) verschijnt op het display.

## Gegevens van het Radio Data Systeem ontvangen (alleen FM-stations)

Radio Data Systeem is een systeem voor gegevensoverdracht dat door FM-zenders in een groot aantal landen worden gebruikt. Dit apparaat kan vier typen gegevens van het Radio Data Systeem ontvangen: Programmaservice, Programmatype, Radiotekst en Kloktijd.

### 1 Stem af op de gewenste Radio Data Systeemzender.

### 2 Druk herhaaldelijk op INFO/TEXT (informatie/tekst) om de gewenste weergavemodus van het Radio Data Systeem te selecteren.



- Selecteer "PROGRAM SERVICE" om de naam van het huidige Radio Data Systeemprogramma weer te geven.
- Selecteer "PROGRAM TYPE" om het huidige type Radio Data Systeemprogramma weer te geven.
- Selecteer "RADIO TEXT" om gegevens over het huidige Radio Data Systeemprogramma weer te geven.
- Selecteer "CLOCK TIME" om de huidige tijd weer te geven.

Wanneer u "PROGRAM TYPE" selecteert, worden de volgende programmatypenamen weergegeven.

Programmatype	Beschrijving
News	Nieuws
Current Affairs	Actualiteiten
Information	Algemene informatie
Sport	Sport
Education	Educatief
Drama	Drama
Cultures	Cultuur
Science	Wetenschap

Varied Speech	Diverse spraak
Pop Music	Popmuziek
Rock Music	Rockmuziek
Easy Listening	Easy Listening
Light Classics M	Licht-klassieke muziek
Serious Classics	Ernstige klassieke muziek
Other Music	Overige muziek
Weather & Metr	Weer en meteorologie
Finance	Geldzaken
Children's Progs	Kinderprogramma
Social Affairs	Sociale aangelegenheden
Religion	Religie
Phone In	Inbelprogramma's
Travel & Touring	Reizen
Leisure & Hobby	Hobby en vrije tijd
Jazz Music	Jazz
Country Music	Countrymuziek
National Music	Nationale muziek
Oldies Music	Gouwe Ouwe
Folk Music	Volksmuziek
Documentary	Documentaires
Alarm Test	Alarmtest
Alarm-Alarm!	Alarm-Alarm!

### Opmerkingen

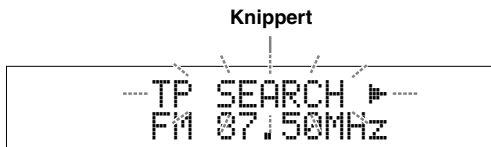
- Het kan even duren voor dit toestel alle Radio Data Systeemgegevens heeft ontvangen van de zender in kwestie.
- Als de signalen niet goed genoeg kunnen worden ontvangen, is het mogelijk dat dit toestel geen gebruik kan maken van de Radio Data Systeemgegevens. Vooral de "RADIO TEXT"-functie vergt een grote hoeveelheid gegevens en het is daarom mogelijk dat deze functie niet beschikbaar is zelfs wanneer de andere Radio Data Systeemfuncties wel beschikbaar zijn.
- In geval van slechte ontvangst, drukt u op FM MODE om mono-ontvangst te selecteren (zie bladzijde 4).
- Als het signaal externe storing ondervindt terwijl dit toestel de Radio Data Systeemgegevens aan het ontvangen is, kan de ontvangst onverwacht onderbroken worden.
- Wanneer de "RADIO TEXT"-functie wordt geselecteerd, kan dit toestel maximaal 128 alfanumerieke tekens, inclusief het trema, aan programmagegevens op het display tonen. Tekens die niet kunnen worden weergegeven worden vervangen door een "\_" (onderstreping). De weergegeven informatie wordt continu lopend weergegeven.

## TP-zoekfunctie (alleen FM-stations)

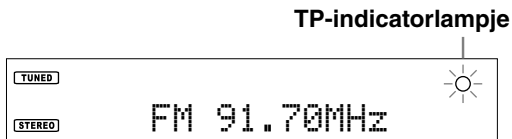
Dit toestel kan automatisch zoeken naar Radio Data Systeem-stations die verkeersinformatie (TP - Traffic Program) uitzenden.

### Druk op TP.

“TP SEARCH ►” (verkeersinfo zoeken) knippert 3 seconden lang op het display en het zoeken start automatisch.



Wanneer er een station met verkeersinformatie wordt gevonden, gaat het TP-lampje branden en wordt het zoeken beëindigd.



Als het station Radio Data Systeem-gegevens biedt, wordt programma-informatie weergegeven op het display.

Wilt u het volgende station met verkeersinformatie zoeken, druk dan op TP.

### Opmerking

- Druk tijdens het zoeken naar verkeersinformatie op TP als u het zoeken wilt annuleren.
- Als er geen stations met verkeersinformatie worden gevonden, verschijnt “NO TP STATION” (geen station met verkeersinfo) op het display en keert het toestel terug naar de staat waarin het zich bevond voor het zoeken begon.

# PROBLEMEN OPLOSSEN

Raadpleeg de tabel hieronder wanneer het toestel niet naar behoren functioneert. Als het probleem niet hieronder vermeld staat, of als de aanwijzingen het probleem niet verhelpen, zet het toestel dan uit (standby), haal de stekker uit het stopcontact en neem contact op met uw dichtstbijzijnde Yamaha-dealer of -servicecentrum.

## ■ Tuner

Probleem		Oorzaak	Oplossing	Zie blad-zijde
FM	<b>Veel ruis in de FM stereo-ontvangst.</b>	Dit probleem is inherent aan FM stereo-uitzendingen wanneer de zender te ver weg is of het ontvangstsignaal dat binnenkomt via de antenne niet sterk genoeg is.	Controleer de aansluitingen van de antenne.	3
			Probeer een hoogwaardige richtingsgevoelige FM-antenne.	—
	<b>Er is vervorming en ook een betere FM-antenne zorgt niet voor een betere ontvangst.</b>	U ondervindt interferentie doordat hetzelfde signaal op verschillende manieren ontvangen wordt.	Verander de opstelling van de antenne zodat u van deze interferentie geen last meer hebt.	—
	<b>Er kan niet automatisch worden afgestemd op de gewenste zender.</b>	Het radiosignaal is te zwak.	Probeer een hoogwaardige richtingsgevoelige FM-antenne.	—
		Stem met de hand af.	4	
	<b>Gegevens van het Radio Data Systeem verschijnen niet.</b>	Het radiostation biedt geen gegevens van het Radio Data Systeem aan.		
		Het radiosignaal is te zwak.	Probeer een hoogwaardige richtingsgevoelige FM-antenne.	—
AM	<b>Er kan niet automatisch worden afgestemd op de gewenste zender.</b>	Het signaal is te zwak of de antenne is los.	Controleer de aansluitingen van de AM-ringantenne en stel deze zo op dat u de beste ontvangst verkrijgt.	—
			Stem met de hand af.	4
	<b>U hoort doorlopend gekraak en gesis.</b>	Deze geluiden kunnen het gevolg zijn van bliksem, TL-verlichting, motoren, thermostaten en andere elektrische apparatuur.	Gebruik een buitenantenne en een goede aarding. Dit kan in sommige gevallen helpen, maar het blijft moeilijk om alle storingsbronnen te elimineren.	—
	<b>U hoort gezoem en gefluit.</b>	Er wordt in de buurt van het toestel een TV gebruikt.	Zet dit toestel verder bij de TV vandaan.	—

## ■ Algemeen

Probleem		Oorzaak	Oplossing	Zie blad-zijde
<b>Het apparaat gaat niet aan wanneer u op POWER drukt.</b>		Het netsnoer of de stekker is niet of niet goed aangesloten.	Sluit het netsnoer stevig aan.	3
		Het toestel heeft blootgestaan aan een sterke, externe elektrische schok (bijvoorbeeld een blikseminslag of een ontlading van statische elektriciteit).	Haal de stekker uit het stopcontact, steek hem na 30 seconden weer terug en gebruik het apparaat vervolgens normaal.	—
<b>U hoort een zeker "gebrom".</b>	Bedrading niet op de juiste manier aangesloten.	Zet de audioaansluitingen goed vast. Als dit het probleem niet verhelpt, is het mogelijk dat er iets mis is met de kabels.	—	
<b>Het toestel functioneert niet naar behoren.</b>	De interne microcomputer is vastgelopen door een externe elektrische schok (bijvoorbeeld blikseminslag of ontlading van statische elektriciteit) of door een te lage voedingsspanning.	Haal de stekker uit het stopcontact en doe hem na ongeveer 30 seconden weer terug.	3	

# SPECIFICATIES

## AUDIOGEDEELTE

- Uitvoerniveau/impedantie (vast)
  - FM (40 kHz dev., 1 kHz) ..... 1,0 V/1,2 k $\Omega$
  - AM (30% mod., 1 kHz) ..... 0,36 V/1,2 k $\Omega$

## FM-GEDEELTE

- Afstembereik ..... 87,50 tot 108,00 MHz
- 50 dB dempingsgevoeligheid (IHF, 100% mod.)
  - Mono ..... 3  $\mu$ V (20,2 dBf)
- Bruikbare gevoeligheid (Signaal-ruisverhouding 30 dB)
  - Mono ..... 1,0  $\mu$ V
  - Beeldafwijzingsverhouding ..... 80 dB
  - IF-verwijzingsverhouding ..... 70 dB
  - Selectiviteit (400 kHz) ..... 70 dB
- Signaal-ruisverhouding (IHF)
  - Mono/stereo ..... 80 dB/75 dB
- Harmonische vervorming (1 kHz)
  - Mono/stereo ..... 0,3%/0,5%
- Stereoscheiding (40 kHz dev.)
  - 1 kHz ..... 43 dB
- Frequentierespons (20 Hz tot 15 kHz) ..... -3 dB
- Antenne-aansluiting (ongebalanceerd) ..... 75  $\Omega$

## AM-GEDEELTE

- Afstembereik ..... 531 tot 1611 kHz
- Bruikbare gevoeligheid ..... 300  $\mu$ V/m
- Selectiviteit ..... 30 dB
- Signaal-ruisverhouding ..... 50 dB
- Beeldafwijzingsverhouding ..... 35 dB
- Harmonische vervorming ..... 1,0%

## ALGEMEEN

- Voeding ..... 230 V wisselstroom, 50 Hz
- Stroomverbruik ..... 9 W
- Afmetingen (B x H x D) ..... 435 x 87 x 306 mm
- Gewicht ..... 3,2 kg

\* Technische gegevens kunnen zonder kennisgeving gewijzigd worden.

## Beperkte garantie voor de Europese Economische Ruimte en Zwitserland

Hartelijk dank dat u een Yamaha-product hebt gekozen. In het onwaarschijnlijke geval dat uw Yamaha-product tijdens de garantie dient te worden gerepareerd, dient u contact op te nemen met de dealer bij wie u het hebt gekocht. Indien u moeilijkheden ervaart, gelieve dan contact op te nemen met de vertegenwoordiging van Yamaha in uw land. U vindt de gegevens op onze website (<http://www.yamaha-hifi.com/> of <http://www.yamaha-uk.com/> voor inwoners van het V.K.).

Er wordt gegarandeerd dat het product vrij is van gebreken in fabricage en materialen voor een periode van twee jaar te rekenen vanaf de originele aankoop. Yamaha zorgt ervoor, met inachtneming van onderstaande voorwaarden, dat een product dat gebreken vertoont, wordt gerepareerd of dat om het even welke onderdelen worden gerepareerd of vervangen (naar goeddunken van Yamaha) zonder kosten voor de onderdelen of werkuren. Yamaha behoudt zich het recht voor om een product te vervangen door een gelijkaardig met dezelfde eigenschappen en waarde, indien een model niet meer leverbaar is of het onrendabel is dit te repareren.

### Voorwaarden

1. De originele factuur of de kassabon (met vermelding van de aankoopdatum, de productcode en de naam van de dealer) MOET worden gevoegd bij het product dat gebreken vertoont, samen met een verklaring waaruit het gebrek blijkt. In geval van afwezigheid van dit duidelijk aankoopbewijs, behoudt Yamaha zich het recht voor om gratis service te weigeren en kan het product op kosten van de klant worden teruggezonden.
2. Het product MOET zijn gekocht bij een ERKENDE Yamaha dealer binnen de Europese Economische Ruimte (EEA) of Zwitserland.
3. Het product mag geen wijzigingen of veranderingen hebben ondergaan, tenzij deze schriftelijk door Yamaha werden toegestaan.
4. Het volgende is van garantie uitgesloten:
  - a. Regelmatig onderhoud of reparaties of vervanging van onderdelen vanwege normale slijtage.
  - b. Schade die voortkomt uit:
    - (1) Reparaties uitgevoerd door de klant zelf of een ongemachtigde derde.
    - (2) Een onjuiste verpakking of oneigenlijk gebruik wanneer het product door de klant wordt verstuurd. Het is belangrijk te weten dat het de verantwoordelijkheid is van diegene die het product terugstuurt dat het product adequaat is ingepakt wanneer hij of zij het product terugstuurt met het oog op reparatie.
    - (3) Oneigenlijk gebruik, met inbegrip van maar niet beperkt tot (a) verzuim om het product voor normale doeleinden te gebruiken of te gebruiken overeenkomstig de instructies van Yamaha met betrekking tot eigenlijk gebruik, onderhoud en opslag, en (b) installatie of gebruik van het product op een manier die niet overeenkomt met de van toepassing zijnde technische of veiligheidsnormen in de landen van gebruik.
    - (4) Ongevallen, blikseminslag, waterschade, brandschade, een onjuiste ventilatie, lekkende batterijen of een oorzaak die buiten de controle van Yamaha ligt.
    - (5) Gebreken aan het systeem waarin het product wordt ingebouwd en/of onverenigbaarheid met derde producten.
    - (6) Gebruik van een product dat in de Europese Economische Ruimte en/of Zwitserland werd ingevoerd, maar niet door Yamaha, en dat niet voldoet aan de technische of veiligheidsnormen van het land van gebruik en/of de standaardspecificaties van producten die door Yamaha in de Europese Economische Ruimte en/of Zwitserland worden verkocht.
5. Indien de garantie verschilt tussen het land van aankoop en het land van gebruik, zal de garantie van het land van gebruik van toepassing zijn.
6. Yamaha kan niet aansprakelijk worden gesteld voor verlies of beschadiging, hetzij rechtstreekse schade of gevolgschade of anders, behalve voor de reparatie of vervanging van het product.
7. Maak kopieën van standaardinstellingen of -gegevens omdat Yamaha niet aansprakelijk kan worden gesteld voor om het even welke wijzigingen aan of verlies van dergelijke instellingen of gegevens.
8. Deze garantie heeft noch invloed op de statutaire rechten van klanten die van toepassing zijn binnen het kader van de nationale wetgevingen, noch op de rechten van klanten ten opzichte van de dealer die voortkomen uit hun overeenkomst tot verkoop/aankoop.

## Informatie voor gebruikers over inzameling en verwijdering van oude apparaten en gebruikte batterijen



Deze tekens op de producten, verpakkingen en/of bijgaande documenten betekenen dat gebruikte elektrische en elektronische producten en batterijen niet mogen worden gemengd met algemeen huishoudelijk afval.

Breng alstublieft voor de juiste behandeling, herwinning en hergebruik van oude producten en gebruikte batterijen deze naar daarvoor bestemde verzamelpunten, in overeenstemming met uw nationale wetgeving en de instructies 2002/96/EC en 2006/66/EC.



Door deze producten en batterijen correct te verwijderen, helpt u natuurlijke rijkdommen te beschermen en voorkomt u mogelijke negatieve effecten op de menselijke gezondheid en de omgeving, die zich zouden kunnen voordoen door ongepaste afvalverwerking.



Voor meer informatie over het inzamelen en hergebruik van oude producten en batterijen kunt u contact opnemen met uw plaatselijke gemeentebestuur, uw afvalverwerkingsbedrijf of het verkooppunt waar u de artikelen heeft gekocht.

### [Informatie over verwijdering in andere landen buiten de Europese Unie]

Deze symbolen zijn alleen geldig in de Europese Unie. Mocht u artikelen weg willen gooien, neem dan alstublieft contact op met uw plaatselijke overheidsinstantie of dealer en vraag naar de juiste manier van verwijderen.

**Pb**

### Opmerking bij het batterijteken (onderste twee voorbeelden):

Dit teken wordt mogelijk gebruikt in combinatie met een scheikundig symbool. In dat geval voldoet het aan de eis en de richtlijn, die is opgesteld voor het betreffende chemisch product.

# ПРЕДУПРЕЖДЕНИЕ: ВНИМАТЕЛЬНО ПРОЧИТАЙТЕ ЭТО ПЕРЕД ИСПОЛЬЗОВАНИЕМ АППАРАТА.

- 1 Для обеспечения наилучшего результата, пожалуйста, внимательно прочитайте данную инструкцию. Храните ее в безопасном месте для будущих справок.
- 2 Данное устройство следует устанавливать в хорошо проветриваемом, прохладном, сухом, чистом месте вдали от прямого воздействия солнечных лучей, источников тепла, вибрации, пыли, влаги, и (или) холода. Для надлежащей вентиляции следует оставить свободным минимальное пространство.  
Сверху: 10 см  
Сзади: 10 см
- 3 Во избежание шумов и помех, данный аппарат следует размещать на некотором расстоянии от других электрических приборов, двигателей или трансформаторов.
- 4 Во избежание накопления влаги внутри данного аппарата, что может вызвать электрошок, пожар, привести к поломке данного аппарата, и/или представлять телесное повреждение, не следует размещать данный аппарат в среде, подверженной резким изменениям температуры с холодной на жаркую, или в среде с повышенной влажностью (например, в комнате с увлажнителем воздуха).
- 5 Не устанавливайте данный аппарат в местах, где есть риск падения других посторонних объектов на данный аппарат и/или где данный аппарат может подвергнуться попаданию капель брызг жидкостей. На крышке данного аппарата, не следует располагать:
  - Другие компоненты, так как это может привести к поломке и/или обесцвечиванию поверхности данного аппарата.
  - Горящие объекты (например, свечи), так как это может привести к пожару, поломке данного аппарата и/или представлять телесное повреждение.
  - Емкости с жидкостями, так как при их падении жидкости могут вызвать поражение пользователя электрическим током и/или привести к поломке данного аппарата.
- 6 Во избежание прерывания охлаждения данного аппарата, не следует покрывать данный аппарат газетой, скатертью, занавеской и т.д. Повышение температуры внутри данного аппарата может привести к пожару, поломке данного аппарата и/или представлять телесное повреждение.
- 7 Пока все соединения не завершены, не следует подключать данный аппарат к розетке.
- 8 Не используйте данный аппарат, установив его верхней стороной вниз. Это может привести к перегреву и возможной поломке.
- 9 Не применяйте силу по отношению к переключателям, ручкам и/или проводам.
- 10 При отсоединении силового кабеля питания от розетки, вытягивайте его, удерживая за вилку; ни в коем случае не тяните кабель.
- 11 Не применяйте различные химические составы для очистки данного аппарата; это может привести к разрушению покрывающего слоя. Используйте чистую сухую ткань.
- 12 Используйте данный аппарат с соблюдением напряжения, указанном на данном аппарате. Использование данного аппарата при более высоком напряжении, превышающем указанное, является опасным, и может стать причиной пожара, поломки данного аппарата, и/или представлять телесное повреждение. Yamaha не несет ответственности за любую поломку или ущерб вследствие использования данного аппарата при напряжении, не соответствующем указанному напряжению.
- 13 Во избежание повреждения при ударе молнии во время грозы держите кабель питания и внешнюю антенну отключенными от розетки и устройства.
- 14 Не пробуйте модифицировать или починить данный аппарат. При необходимости свяжитесь с квалифицированным сервисный центром Yamaha. Корпус аппарата не должен открываться ни в коем случае.
- 15 Если вы не собираетесь использовать данный аппарат в течение продолжительного промежутка времени (например, во время отпуска), отключите силовую кабель переменного тока от розетки.
- 16 Данный аппарат следует устанавливать возле розетки переменного тока, куда можно свободно протянуть силовую кабель.
- 17 Перед тем как прийти к заключению о поломке данного аппарата, обязательно изучите раздел “УСТРАНЕНИЕ НЕИСПРАВНОСТЕЙ”, описывающий часто встречающиеся ошибки во время использования.
- 18 Перед перемещением данного аппарата, выключите систему нажатием кнопки POWER и отсоедините силовую кабель переменного тока от розетки.

## ПРЕДУПРЕЖДЕНИЕ

**ВО ИЗБЕЖАНИЕ ПОЖАРА ИЛИ УДАРА ЭЛЕКТРИЧЕСКИМ ТОКОМ НЕ ПОДВЕРГАЙТЕ ДАННЫЙ АППАРАТ ВОЗДЕЙСТВИЯМ ДОЖДЯ ИЛИ ВЛАГИ.**

До тех пор, пока данное устройство подключено к сетевой розетке, оно не отсоединено от источника питания переменного тока, даже если устройство выключено кнопкой POWER.

# СОДЕРЖАНИЕ

## ПОДГОТОВКА

### ЭЛЕМЕНТЫ УПРАВЛЕНИЯ И

<b>ФУНКЦИИ</b> .....	2
Фронтальная панель .....	2
Управление устройством с помощью пульта ДУ .....	2
<b>ПОДКЛЮЧЕНИЯ</b> .....	3

## ЭКСПЛУАТАЦИЯ

<b>НАСТРОЙКА</b> .....	4
Автоматическая настройка .....	4
Ручная настройка .....	4
Выбор предустановленных радиостанций .....	4
<b>ПРЕДВАРИТЕЛЬНАЯ УСТАНОВКА СТАНЦИЙ</b> .....	5
Автоматическая предустановка станций (только для станций в диапазоне FM) .....	5
Ручная предустановка станций .....	5
Удаление предустановленной радиостанции .....	5
Прием информации Radio Data System (только для станций в диапазоне FM) .....	6
Функция поиска TR (только для станций в диапазоне FM) .....	7

## ДОПОЛНИТЕЛЬНАЯ ИНФОРМАЦИЯ

<b>ПОИСК И УСТРАНЕНИЕ НЕИСПРАВНОСТЕЙ</b> .....	8
<b>ТЕХНИЧЕСКИЕ ХАРАКТЕРИСТИКИ</b> .....	9

### ■ Описание


- Настройка предустановок 40 станций диапазона FM/AM
- Автоматическая предустановка станций (только для станций в диапазоне FM)
- Возможность отображения текстовой информации Radio Data System
- 2-строчный дисплей для отображения информационных сообщений

### ■ Поставляемые принадлежности

Убедитесь в наличии всех перечисленных ниже деталей.

- Комнатная FM-антенна
- Рамочная AM-антенна
- Стереокабель с разъемами RCA

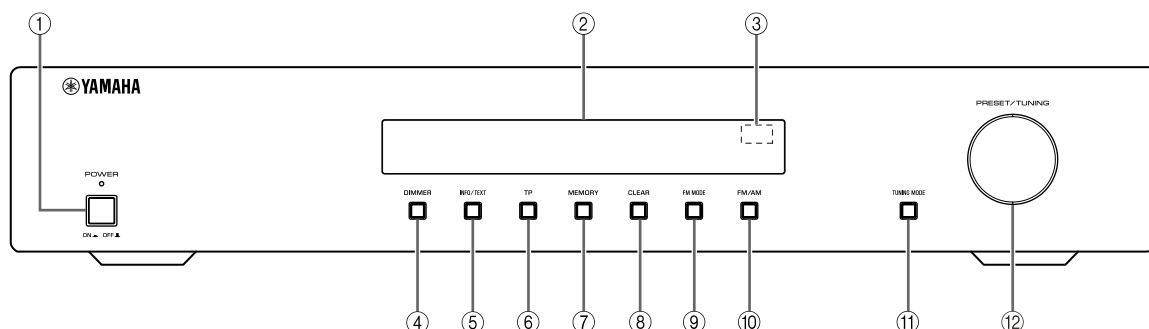
### ■ О данном руководстве

- Символ  отмечает совет для облегчения управления.
- Данное руководство отпечатано до начала производства. Дизайн и технические характеристики могут частично измениться с целью усовершенствования и т.д. В случае, если имеются различия между руководством и аппаратом, приоритет отдается аппарату.



# ЭЛЕМЕНТЫ УПРАВЛЕНИЯ И ФУНКЦИИ

## Фронтальная панель



### ① POWER

Нажмите для включения или выключения устройства.



Когда устройство включено, над этой кнопкой светится индикатор POWER (ПИТАНИЕ).

### ② Дисплей передней панели

Отображает информацию о текущей выбранной радиостанции диапазона FM или AM или рабочее состояние.

### ③ Индикатор TP

Светится, когда принимается станция с программой дорожных сообщений (TP), смотрите стр. 7.

### ④ DIMMER

Позволяет изменять яркость дисплея фронтальной панели. Повторно нажимая эту кнопку, можно выбрать один из 4 уровней яркости.



Эта настройка сохранится даже в случае выключения устройства.

### ⑤ INFO/TEXT

Используется для включения и изменения режима отображения информации Radio Data System (смотрите стр. 6).

### ⑥ TP

Выполняется автоматический поиск станций, передающих программу дорожных сообщений (TP), смотрите стр. 7.

### ⑦ MEMORY

Используется для установки устройства в режим памяти предустановок станций, когда оно находится в режиме настройки диапазона FM/AM (смотрите стр. 5).

### ⑧ CLEAR

Используется для удаления предустановленных радиостанций (смотрите стр. 5).

### ⑨ FM MODE

Используется для переключения режима приема радиопрограмм диапазона FM (стерео или моно), когда устройство находится в режиме настройки диапазона FM (смотрите стр. 4).

### ⑩ FM/AM

Используется для выбора диапазона приема (FM или AM).

### ⑪ TUNING MODE

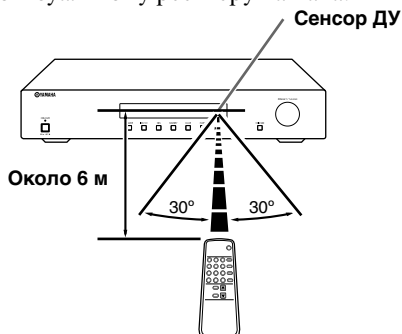
Используется для выбора режима настройки (автоматическая, ручная, предустановки), когда устройство находится в режиме настройки диапазона FM/AM (смотрите стр. 4).

### ⑫ PRESET/TUNING

- Используется для выбора предустановленных радиостанций диапазона FM или AM или услуг, когда устройство находится в режиме предустановки.
- Используется для выбора радиостанций диапазона FM или AM или услуг, если устройство не находится в режиме предустановки.

## Управление устройством с помощью пульта ДУ

Устройство оснащено сенсором ДУ. Он принимает сигналы с пульта ДУ, прилагаемого к усилителю или аудиовизуальному ресиверу Yamaha.



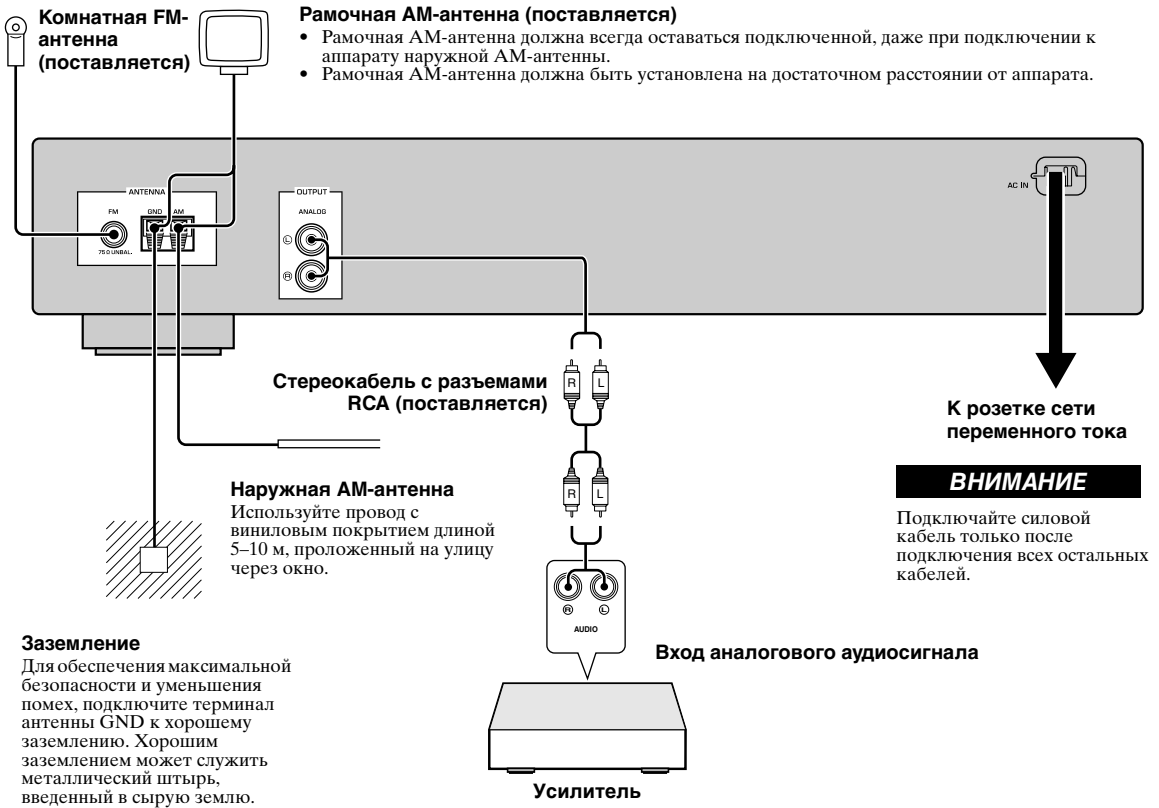
### Примечания

- Между пультом ДУ и устройством не должно находиться препятствий значительного размера.
- Если сенсор ДУ освещен источником яркого света (особенно лампой дневного света инверторного типа), управлять устройством с помощью пульта ДУ, возможно, не удастся. В этом случае установите устройство так, чтобы избежать прямого освещения сенсора.

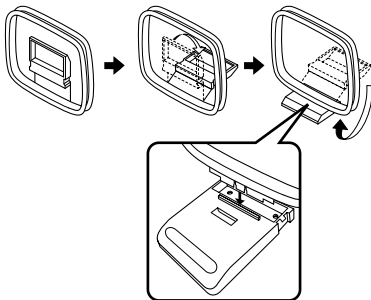
# ПОДКЛЮЧЕНИЯ

## Примечание

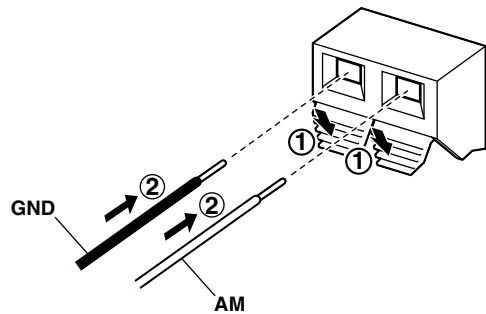
При плохом качестве приема установите наружную антенну. Для получения более подробной информации о внешних антеннах обратитесь к ближайшему авторизованному дилеру Yamaha или в сервисный центр.



## ■ Сборка поставляемой рамочной AM-антенны



## ■ Подключение провода рамочной AM-антенны



# НАСТРОЙКА

## Автоматическая настройка

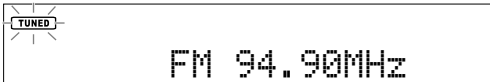
Автоматическая настройка эффективна в тех случаях, когда поступающие от радиостанций сигналы достаточно сильны и отсутствуют помехи.

- 1 Неоднократно нажимайте кнопку FM/AM, чтобы выбрать диапазон приема (FM/AM).
- 2 Нажмите кнопку TUNING MODE, чтобы установить значение “Auto tune” (Автоматическая настройка).



Auto tune  
FM 87.50MHz

- 3 Поверните регулятор PRESET/TUNING, чтобы начать автоматическую настройку. При настройке данного аппарата на радиостанцию загорается индикатор TUNED и частота радиостанции отображается на дисплее фронтальной панели.



TUNED  
FM 94.90MHz



Если радиостанция передает информацию Radio Data System, информация об услуге будет отображена на дисплее фронтальной панели.

## Ручная настройка

При слабом сигнале желаемой радиостанции, произведите ручную настройку.

- 1 Неоднократно нажимайте кнопку FM/AM, чтобы выбрать диапазон приема (FM/AM).
- 2 Неоднократно нажимайте кнопку TUNING MODE, чтобы установить значение “Manual tune” (Ручная настройка).



Manual tune  
FM 87.50MHz

- 3 Поверните регулятор PRESET/TUNING, чтобы выбрать желаемую частоту. Когда устройство настроится на станцию, загорится индикатор TUNED.

## Выбор предустановленных радиостанций

Можно легко настроиться на любую желаемую радиостанцию, выбрав номер предустановленной радиостанции.

### Примечание

Инструкция по предустановке радиостанций приведена на следующей странице.

- 1 Неоднократно нажимайте кнопку TUNING MODE, чтобы установить значение “Preset tune” (Предустановка).
- 2 Поверните регулятор PRESET/TUNING, чтобы выбрать желаемую предустановленную радиостанцию.

### Улучшение приема в диапазоне FM

При слабом сигнале радиостанции и плохом качестве звука установите монофонический режим приема программы в диапазоне FM, чтобы улучшить качество приема.

Неоднократно нажимайте кнопку FM MODE, чтобы установить значение “AUTO STEREO” (стереофонический режим) или “MONO” (монофонический режим), если устройство настроено на прием радиостанции в диапазоне FM.

- Когда устройство находится в стереофоническом режиме, на дисплее фронтальной панели светится индикатор STEREO.
- Когда устройство находится в монофоническом режиме, индикатор STEREO не светится.

### Примечание

В случае приема монофонической программы индикатор STEREO не будет светиться, даже если устройство находится в стереофоническом режиме.

# ПРЕДВАРИТЕЛЬНАЯ УСТАНОВКА СТАНЦИЙ

Выбирать радиостанции можно, сохранив (предварительно установив) их, а затем вызывая требуемые станции. Эта функция позволяет выполнить предустановку до 40 радиостанций в диапазонах FM и AM.

## Автоматическая предустановка станций (только для станций в диапазоне FM)

### Примечание

Инструкция по предустановке станций в диапазоне AM приведена в разделе “Ручная предустановка станций” ниже.

**1 Неоднократно нажимайте кнопку FM/AM, чтобы выбрать диапазон приема (FM).**

**2 Нажмите и удерживайте нажатой кнопку MEMORY более 3 секунд.**  
На дисплее фронтальной панели начнет мигать индикатор “Auto Preset” (Автоматическая предустановка). Устройство начнет поиск станций с сильным сигналом и автоматически сохранит их.



Auto Preset  
CH 01 FM 100.05MHz

После завершения автоматической предустановки будет выбрана предустановка станции с номером “01”.

### Примечания

- Автоматически будут сохранены только радиостанции в диапазоне FM с достаточно сильным сигналом. Сохранение станций со слабым сигналом следует выполнять вручную. См. раздел “Ручная предустановка станций” ниже.
- В случае повторного запуска функции “Автоматическая предустановка станций” все сохраненные данные будут удалены. Каждому номеру предустановки будут назначены новые данные.
- Если станции не будут найдены, поиск прекратится, и устройство вызовет станцию, которая была выбрана до начала поиска.

## Ручная предустановка станций

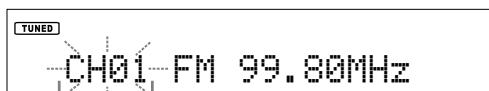
**1 Настройтесь на желаемую радиостанцию в диапазоне FM/AM.**  
Смотрите стр. 4 с указаниями по настройке.

**2 Нажмите кнопку MEMORY.**  
Номер предустановки станции на дисплее фронтальной панели будет мигать в течение 5 секунд.

### Примечание

Выполните следующее действие в течение 5 секунд с момента нажатия кнопки MEMORY.

**3 Поверните регулятор PRESET/TUNING во время мигания номера предустановленной станции, чтобы выбрать желаемую предустановленную радиостанцию.**



Номер предустановленной радиостанции

### Примечание

Выполните следующее действие в течение 5 секунд с момента выбора номера предустановленной станции.

**4 Повторно нажмите кнопку MEMORY, чтобы подтвердить предустановку.**

### Примечания

- В случае назначения новой станции существующему номеру предустановки, новые данные предустановки перезапишут существующие данные предустановки.
- Вместе с частотой сохраняется и режим приема (стереофонический или монофонический).

## Удаление предустановленной радиостанции

Чтобы удалить одну предустановленную радиостанцию, выполните следующие действия.

**1 Выберите номер желаемой предустановленной радиостанции.**  
См. раздел “Выбор предустановленных радиостанций” на стр. 4.

**2 Нажмите кнопку CLEAR.**  
Номер предустановленной станции на дисплее фронтальной панели начнет мигать.

Мигает



CLEAR CH01  
CH01 FM 99.80MHz

Если в течение 5 секунд не будет выполнено следующее действие, удаление будет отменено.

**3 Нажмите кнопку CLEAR, чтобы подтвердить удаление.**  
На дисплее фронтальной панели отобразится сообщение “PresetXX Cleared” (Станция XX удалена), где XX обозначает номер предустановки.



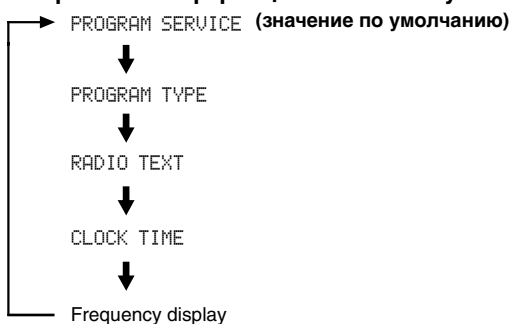
Чтобы удалить все предустановленные радиостанции, нажмите и удерживайте нажатой кнопку CLEAR в течение 3 секунд. На дисплее фронтальной панели отобразится сообщение “ALL CLEAR” (ВСЕ СТАНЦИИ УДАЛЕНЫ).

## Прием информации Radio Data System (только для станций в диапазоне FM)

Radio Data System – это система передачи информации, используемая FM-радиостанциями многих стран. Это устройство поддерживает прием информации Radio Data System четырех типов: услуги программы, тип программы, текстовая информация, время.

### 1 Настройтесь на интересующую радиостанцию, транслирующую Radio Data System.

### 2 Неоднократно нажимайте кнопку INFO/TEXT, чтобы выбрать желаемый режим отображения информации Radio Data System.



- Выберите значение “PROGRAM SERVICE” для отображения наименования текущей принимаемой программы Radio Data System.
- Выберите значение “PROGRAM TYPE” для отображения типа текущей принимаемой программы Radio Data System.
- Выберите значение “RADIO TEXT” для отображения текстовой информации текущей принимаемой программы Radio Data System.
- Выберите значение “CLOCK TIME” для отображения текущего времени.

При выборе значения “PROGRAM TYPE;” отображаются следующие названия типов программ.

Тип программы	Описание
News	Новости
Current Affairs	Текущие актуальные вопросы
Information	Общая информация
Sport	Спорт
Education	Образование
Drama	Радиопостановка
Cultures	Культура
Science	Наука
Varied Speech	Разнообразные выступления

Pop Music	Поп-музыка
Rock Music	Рок-музыка
Easy Listening	Легкая музыка
Light Classics M	Легкая классическая музыка
Serious Classics	Классическая музыка для знатоков
Other Music	Другие жанры музыки
Weather & Metr	Погода
Finance	Финансы
Children's Progs	Детские программы
Social Affairs	Социальные программы
Religion	Религия
Phone In	Прямой эфир
Travel & Touring	Путешествия и туризм
Leisure & Hobby	Отдых и хобби
Jazz Music	Джаз
Country Music	Кантри
National Music	Национальная музыка
Oldies Music	Популярная музыка ретро
Folk Music	Народная музыка
Documentary	Документальные программы
Alarm Test	Проверка сигнала тревоги
Alarm-Alarm!	Сигнал тревоги

### Примечания

- Для завершения приема всей информации Radio Data System от радиостанции, данному аппарату может потребоваться некоторое время.
- При слабом принимаемом сигнале аппарат, возможно, не сможет использовать информацию Radio Data System. В частности, режим “RADIO TEXT” требует передачи большого объема данных и может быть недоступен даже при доступности других режимов отображения Radio Data System.
- В условиях плохого приема нажмите кнопку FM MODE, чтобы выбрать монофонический режим приема (смотрите стр. 4).
- Если сигнал ослаблен вследствие внешних помех во время приема устройством информации Radio Data System, прием может внезапно прерваться.
- При выборе режима “RADIO TEXT” устройство может отображать информацию о программе максимум из 128 буквенно-цифровых символов, включая символ умляут. Недоступные символы отображаются как “\_” (символ нижнего подчеркивания). Отображаемая информация будет непрерывно прокручиваться.

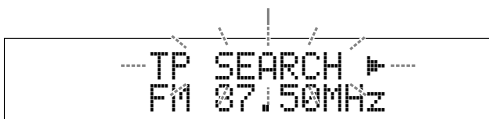
## Функция поиска TP (только для станций в диапазоне FM)

Данное устройство автоматически выполняет поиск станций системы Radio Data System, транслирующих программы дорожных сообщений (TP).

### Нажмите кнопку TP.

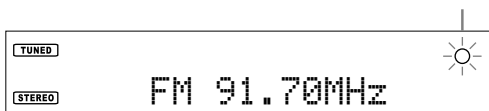
“TP SEARCH ►” на дисплее фронтальной панели будет мигать в течение 3 секунд, автоматически начнется поиск.

Мигает



Когда станция TP принята, загорается индикатор TP и поиск TP заканчивается.

Индикатор TP



Если радиостанция передает информацию системы Radio Data System, информация об услуге будет отображена на дисплее фронтальной панели.

Для поиска следующей станции TP нажмите кнопку TP.

### Примечание

- Для отмены поиска нажмите кнопку TP во время его выполнения.
- Если станций TP не найдено, то на дисплее фронтальной панели отобразится сообщение “NO TP STATION” и устройство возвратится к состоянию, предшествовавшему поиску.

# ПОИСК И УСТРАНЕНИЕ НЕИСПРАВНОСТЕЙ

Если аппарат функционирует неправильно, воспользуйтесь приведенной ниже таблицей. В случае, если проблема не указана в таблице или проблему не удалось устранить, выключите аппарат, отсоедините силовой кабель и обратитесь к ближайшему авторизованному дилеру или в сервисный центр Yamaha.

## ■ Тюнер

Неисправность		Причина	Способ устранения	Смотри те стр.
FM	Слышится шум во время приема стереофонической FM-радиостанции.	Шум может быть вызван характеристиками самих стереофонических FM-трансляций, когда передающая антенна находится очень далеко или от антенны поступает слишком слабый сигнал.	Проверьте подключения антенны.	3
			Воспользуйтесь высококачественной направленной FM-антенной.	—
	Искажение звука, невозможно добиться лучшего приема даже с использованием хорошей FM-антенны.	Многочувствительная интерференция.	Отрегулируйте расположение антенны для исключения многочувствительной интерференции.	—
	Невозможно настроиться на желаемую радиостанцию в режиме автоматической настройки.	Очень слабый сигнал передающей радиостанции.	Используйте высококачественную направленную FM-антенну.	—
Настройтесь на станцию вручную.			4	
Информация Radio Data System не отображается.	Информация Radio Data System не передается радиостанцией.			
	Очень слабый сигнал передающей радиостанции.	Используйте высококачественную направленную FM-антенну.	—	
AM	Невозможно настроиться на желаемую радиостанцию в режиме автоматической настройки.	Слабый сигнал или ослаблены соединения антенны.	Закрепите соединения рамочной AM-антенны и измените ориентацию для лучшего приема.	—
			Настройтесь на станцию вручную.	4
	Слышится шум с потрескиванием и шипением.	Шумы могут быть вызваны молнией, флуоресцентной лампой, мотором, термостатом или другим электрическим оборудованием.	Используйте внешнюю антенну и провод заземления. Это ослабит помехи, но полностью избавиться от всех помех очень сложно.	—
	Слышится шум с гудением и воем.	Поблизости работает телевизор.	Отодвиньте аппарат подальше от телевизора.	—

## ■ Неисправности общего характера

Неисправность		Причина	Способ устранения	Смотри те стр.
Устройство не включается при нажатии кнопки POWER.		Силовой кабель не подключен или вилка не полностью вставлена в розетку.	Подключите силовой кабель надежно.	3
		Аппарат подвергся воздействию сильного электрического напряжения от внешних источников (например, молния или сильное статическое электричество).	Отсоедините силовой кабель, а затем снова подсоедините примерно через 30 секунд.	—
Слышен “гудящий” шум.	Кабели подключены неправильно.	Надежно подключите разъемы аудиокабелей. Если неисправность не была устранена, используемые кабели, возможно, имеют дефекты.	—	
Аппарат работает неправильно.	Завис внутренний микрокомпьютер из-за воздействия сильного электрического напряжения от внешних источников (например, молния или излишнее статическое электричество) или из-за низкого напряжения электропитания.	Отсоедините вилку кабеля питания переменного тока от розетки, а затем снова подсоедините примерно через 30 секунд.	3	

# ТЕХНИЧЕСКИЕ ХАРАКТЕРИСТИКИ

## АУДИО

- Уровень выходного сигнала/полное сопротивление (фиксированное)
  - FM (дев. 40 кГц, 1 кГц) ..... 1,0 В/1,2 кΩ
  - AM (мод. 30%, 1 кГц) ..... 0,36 В/1,2 кΩ

## FM

- Диапазон настройки ..... 87,50 – 108,00 МГц
- Номинальная чувствительность 50 дБ (ИHF, мод. 100%)
  - Моно ..... 3 мкВ (20,2 дБч)
- Чувствительность, ограниченная шумами (Соотношение сигнал/шум 30 дБ)
  - Моно ..... 1,0 мкВ
  - Избирательность по зеркальному каналу ..... 80 дБ
  - Коэффициент ослабления по промежуточной частоте ..... 70 дБ
  - Избирательность (400 кГц) ..... 70 дБ
- Соотношение сигнал/шум (ИHF)
  - Моно/стерео ..... 80 дБ/75 дБ
- Нелинейные искажения (1 кГц)
  - Моно/Стерео ..... 0,3%/0,5%
- Стерефоническое разделение (дев. 40 кГц)
  - 1 кГц ..... 43 дБ
- Частотная характеристика (20 Гц – 15 кГц) ..... –3 дБ
- Вход антенны (несбалансированный) ..... 75 Ω

## AM

- Диапазон настройки ..... 531 – 1611 кГц
- Чувствительность, ограниченная шумами ..... 300 мкВ/м
- Избирательность ..... 30 дБ
- Соотношение сигнал/шум ..... 50 дБ
- Избирательность по зеркальному каналу ..... 35 дБ
- Нелинейные искажения ..... 1,0%

## ОБЩИЕ ХАРАКТЕРИСТИКИ

- Питание ..... переменный ток, 230 В, 50 Гц
- Энергопотребление ..... 9 Вт
- Габаритные размеры (Ш x В x Г) ..... 435 x 87 x 306 мм
- Вес ..... 3,2 кг

\* Технические характеристики могут изменяться без уведомления.



## Информация для пользователей по сбору и утилизации старой аппаратуры и использованных батареек



Эти знаки на аппаратуре, упаковках и в сопроводительных документах указывают на то, что подержанные электрические и электронные приборы и батарейки не должны выбрасываться вместе с обычным домашним мусором.

Для правильной обработки, хранения и утилизации старой аппаратуры и использованных батареек, пожалуйста сдавайте их в соответствующие сборные пункты, согласно вашему национальному законодательству и директив 2002/96/ЕС и 2006/66/ЕС.



При надлежащей утилизации этих товаров и батареек, вы помогаете сохранять ценные ресурсы и предотвращать вредное влияние на здоровье людей и окружающую среду, которое может возникнуть из-за несоответствующего обращения с отходами.

За более подробной информацией о сборе и утилизации старых товаров и батареек, пожалуйста обращайтесь в вашу локальную администрацию, в ваш приёмный пункт или в магазин где вы приобрели эти товары.



### [Информация по утилизации в других странах за пределами Европейского Союза]

Эти знаки действительны только на территории Европейского Союза. Если вы хотите избавиться от этих предметов, пожалуйста обратитесь в вашу локальную администрацию или продавцу и спросите о правильном способе утилизации.

**Pb**

### Обратите внимание на знак для батареек (два знака на задней стороне):

Этот знак может использоваться в комбинации со знаком указывающим о содержании химикалий. В этом случае это удовлетворяет требованиям установленными Директивой по использованию химикалий.

