



# YST-SW1500

*Subwoofer System*

*Enceinte a caisson de grave*



**OWNER'S MANUAL  
MODE D'EMPLOI  
BEDIENUNGSANLEITUNG  
BRUKSANVISNING  
MANUALE DI ISTRUZIONI  
MANUAL DE INSTRUCCIONES  
GEBRUIKSAANWIJZING**

## CHECKING THE ACCESSORIES

## VÉRIFICATION DES ACCESSOIRES

## ÜBERPRÜFEN DES ZUBEHÖRS

## KONTROLL AV TILLBEHÖREN

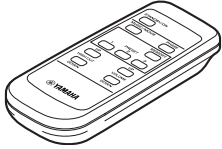
## CONTROLLO DEGLI ACCESSORI

## COMPROBACIÓN DE LOS ACCESORIOS

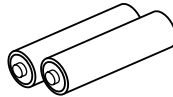
## CONTROLEEREN VAN DE TOEBEHOREN

- Check your package to make sure it contains the following items.
- Contrôlez le contenu de l'emballage et assurez-vous qu'il contient les accessoires suivants.
- Überprüfen Sie den Inhalt der Verpackung, damit sichergestellt ist, daß die folgenden Artikel vorhanden sind.
- Kontrollera att följande saker finns med i förpackningen.
- Controllare che nella confezione siano presenti gli oggetti seguenti.
- Compruebe el paquete para asegurarse de que tiene los componentes siguientes.
- Controleer de doos en kijk of de volgende toebehoren inderdaad aanwezig zijn.

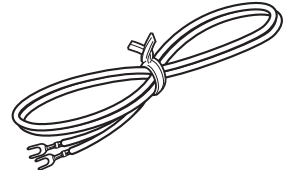
- Remote control
- Télécommande
- Fernbedienung
- Fjärrkontroll
- Telecomando
- Control remoto
- Afstandbediening



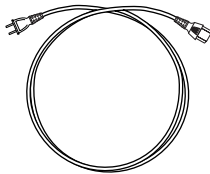
- Batteries (size AA, UM-3, R6)
- Piles (format AA, UM-3, R6)
- Batterien (Größe AA, UM-3, R6)
- Batterier (Storl. AA, UM-3, R6)
- Batterie (dimensioni AA, o UM-3, o R6)
- Pilas (tamaño AA, tipo UM-3, R6)
- Batterijen (maat AA, UM-3, R6)



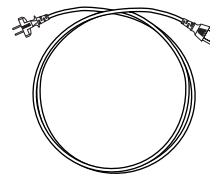
- Grounding cable
- Câble de mise à la masse
- Erdungskabel
- Jordningskabel
- Cavo di massa
- Cable de tierra
- Aardingskabel



- Power cable (U.S.A., Canada, Europe and Korean models only)
- Cordon d'alimentation (Modèles pour les Etats-Unis, le Canada, l'Europe et la Corée seulement)
- Netzkabel (Nur USA, Kanada, Europa und koreanische Modelle)
- Nätkabel (Endast modeller för USA, Kanada, Europa och Korea)
- Cavo d'alimentazione (Solo per i modelli per USA, Canada, Europa e Corea)
- Cable de alimentación (Sólo en modelos para EE.UU., Canadá, Europa y Corea)
- Netsnoer (Alleen modellen voor de U.S.A., Canada, Europa en Korea)



(U.S.A. and Canada models)  
(Modèles pour les Etats-Unis et le Canada)  
(USA und Kanada Modelle)  
(Modeller för USA och Kanada)  
(Modelli per USA e Canada)  
(Modelos para EE.UU. y Canadá)  
(Modellen voor de U.S.A. en Canada)



(Europe and Korean models)  
(Modèles pour l'Europe et la Corée)  
(Europa und koreanische Modelle)  
(Modeller för Europa och Korea)  
(Modelli per Europa e Corea)  
(Modelos para Europa y Corea)  
(Modellen voor Europa en Korea)

## CAUTION: Read this before operating your unit.

Please read the following operating precautions before use. YAMAHA will not be held responsible for any damage and/or injury caused by not following the cautions below.

- To assure the finest performance, please read this manual carefully. Keep it in a safe place for future reference.
- Install this unit in a cool, dry, clean place – away from windows, heat sources, sources of excessive vibration, dust, moisture and cold. Avoid sources of humming (transformers, motors). To prevent fire or electrical shock, do not expose this unit to rain or water.
- Never open the cabinet. If something drops into the set, contact your dealer.
- The voltage to be used must be the same as that specified on the rear panel. Using this unit with a higher voltage than specified is dangerous and may cause a fire and/or electric shock.
- To reduce the risk of fire or electric shock, do not expose this unit to rain or moisture.
- Do not use force on switches, controls or connection wires. When moving the unit, first disconnect the power plug and the wires connected to other equipment. Never pull the wires themselves.
- When not planning to use this unit for a long period (i.e. vacation, etc.), disconnect the AC power plug from the wall outlet.
- To prevent lightning damage, disconnect the AC power plug when there is an electric storm.
- Since this unit has a built-in power amplifier, heat will radiate from the rear panel. Place the unit apart from the walls, allowing enough spaces above, behind and on both sides of the unit to prevent fire or damage. Furthermore, do not position with the rear panel facing down on the floor or other surfaces. Be sure to allow spaces of at least 20 cm above, behind and on both sides of the unit.
- Do not cover the rear panel of this unit with a newspaper, a tablecloth, a curtain, etc. in order not to obstruct heat radiation. If the temperature inside the unit rises, it may cause fire, damage to the unit and/or personal injury.
- Do not place small metallic objects on this unit. Otherwise, the object may fall, possibly causing an injury.
- Do not place the following objects on this unit:  
Glass, china, etc.  
If glass etc. falls by vibrations and breaks, it may cause personal injury.  
A burning candle etc.  
If the candle falls by vibrations, it may cause fire and personal injury.  
A vessel with water in it  
If the vessel falls by vibrations and water spills, it may cause damage to the unit, and/or you may get an electric shock.
- Do not place this unit where foreign objects such as water drips might fall. It might cause a fire, damage to this unit, and/or personal injury.
- Never place a fragile object near the YST port of this unit. If the object falls or drops by the air pressure, it may cause damage to the unit and/or personal injury.
- Never put a hand or a foreign object into the YST port located on the front of this unit. When moving this unit, do not hold the port as it might cause personal injury and/or damage to this unit.
- Never open the cabinet. It might cause an electric shock since this unit uses a high voltage. It might also cause personal injury and/or damage to this unit.
- When using a humidifier, be sure to avoid condensation inside this unit by allowing enough spaces around this unit or avoiding excess humidification. Condensation might cause a fire, damage to this unit, and/or electric shock.
- Super-bass frequencies reproduced by this unit may cause a turntable to generate a howling sound. In such a case, move this unit away from the turntable.
- This unit may be damaged if certain sounds are continuously outputted at high volume level. For example, if 20 Hz–50 Hz sine waves from a test disc, bass sounds from electronic instruments, etc. are continuously outputted, or when the stylus of a turntable touches the surface of a disc, reduce the volume level to prevent this unit from being damaged.
- If you hear distorted noise (i.e., unnatural, intermittent “rapping” or “hammering” sounds) coming from this unit, reduce the volume level. Extremely loud playing of a movie soundtrack’s low frequency, bass-heavy sounds or similarly loud popular music passages can damage this speaker system.
- Vibration generated by super-bass frequencies may distort images on a TV. In such a case, move this unit away from the TV set.
- Do not attempt to clean this unit with chemical solvents as this might damage the finish. Use a clean, dry cloth.
- Be sure to read the “TROUBLESHOOTING” section regarding common operating errors before concluding that the unit is faulty.
- **Secure placement or installation is the owner’s responsibility.**  
**YAMAHA shall not be liable for any accident caused by improper placement or installation of speakers.**

**Standby mode**  
When this unit is turned off by pressing the STANDBY/ON button on the front panel, this unit consumes a small amount of power. This state is called the standby mode. This unit’s power supply is completely cut off from the AC line only when the POWER switch is set in the OFF position or the AC power cable is disconnected.

This unit features a magnetically shielded design, but there is still a chance that placing it too close to a TV set might impair picture color. Should this happen, move this unit away from the TV set.

**FOR CANADIAN CUSTOMERS**  
To prevent electric shock, match wide blade of plug to wide slot and fully insert.  
This Class B digital apparatus complies with Canadian ICES-003.

# CONTENTS

---

<b>CHECKING THE ACCESSORIES</b> ..... Inside of Front Cover	<b>NOTES ABOUT THE REMOTE CONTROL</b> ..... 11
<b>CAUTION</b> ..... 1	<b>CONTROLS AND THEIR FUNCTIONS</b> ..... 12
<b>FEATURES</b> ..... 2	<b>AUTOMATIC POWER-SWITCHING FUNCTION</b> ..... 14
<b>PLACEMENT</b> ..... 3	<b>ADJUSTING THE SUBWOOFER BEFORE USE</b> ..... 15
<b>CONNECTIONS</b> ..... 4	Storing preset data of the VOLUME control etc. .... 16
Connecting to line output (pin jack) terminals of the amplifier ..... 4	Frequency characteristics ..... 17
Connecting to speaker output terminals of the amplifier ..... 6	<b>ADVANCED YAMAHA ACTIVE SERVO TECHNOLOGY</b> ..... 18
Connecting to H.P.F. OUTPUT terminals ..... 8	<b>TROUBLESHOOTING</b> ..... 19
Ground connection ..... 10	<b>SPECIFICATIONS</b> ..... 20
Connecting the AC power cable ..... 11	

## FEATURES

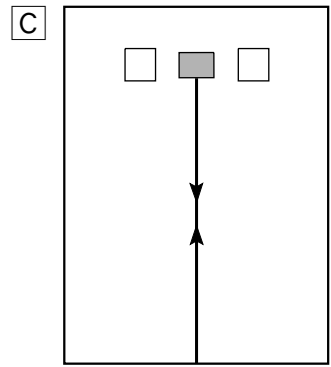
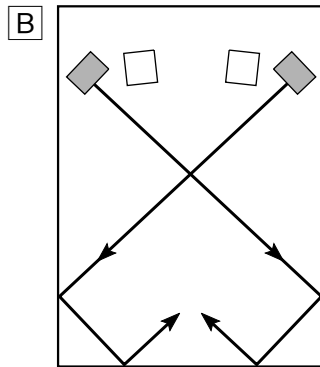
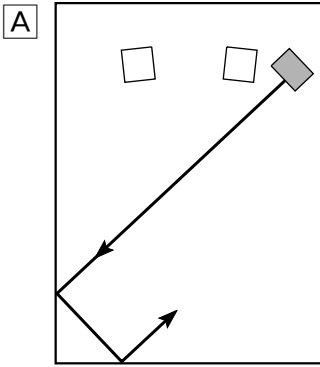
---



- This subwoofer system employs Advanced YAMAHA Active Servo Technology which YAMAHA has developed for reproducing higher quality super-bass sound. (Refer to page 18 for details on Advanced YAMAHA Active Servo Technology.) This super-bass sound adds a more realistic, theater-in-the-home effect to your stereo system.
- This subwoofer can be easily added to your existing audio system by connecting to either the speaker terminals or the line output (pin jack) terminals of the amplifier.
- For the effective use of the subwoofer, the subwoofer's super-bass sound should be matched to the sounds of your main speakers. You can create the best sound quality for various listening conditions by using the HIGH CUT control and the PHASE button.
- You can make setting changes and adjustments for the subwoofer by using the remote control without moving from your listening position.
- The Automatic power-switching function saves you the trouble of pressing the STANDBY/ON button to turn the power on and off.
- You can select bass effect suitable for the source by using the B.A.S.S. button.
- The use of the H.P.F. OUTPUT terminals for connecting with the amplifier is effective for improving sound quality of your speaker system. This connection prevents sound output from the main speakers from muddying by filtering out low frequencies of input signals to be sent to the main speakers which are not suitable for reproducing low frequencies.

**QD·Bass**  
TECHNOLOGY

### QD-Bass Technology

QD-Bass (Quatre Dispersion Bass) technology uses square, pyramid-shaped reflective plates to radiate the sound in four horizontal directions.



(  : subwoofer,  : main speaker)

One subwoofer will have a good effect on your audio system, however, the use of two subwoofers is recommended to obtain more effect.

If using one subwoofer, it is recommended to place it on the outside of either the right or the left main speaker. (See fig. [A](#).) If using two subwoofers, it is recommended to place them on the outside of each main speaker. (See fig. [B](#).) The placement shown in fig. [C](#) is also possible, however, if the subwoofer system is placed directly facing the wall, the bass effect may die because the sound from it and the sound reflected by the wall may cancel out each other. To prevent this from happening, face the subwoofer system at an angle as in fig. [A](#) or [B](#).

**Note**

There may be a case that you cannot obtain enough super-bass sounds from the subwoofer when listening in the center of the room. This is because “standing waves” have been developed between two parallel walls and they cancel the bass sounds.

In such a case, face the subwoofer obliquely to the wall. It also may be necessary to break up the parallel surfaces by placing bookshelves etc. along the walls.

# CONNECTIONS

**Caution: Plug in the subwoofer and other audio/video components after all connections are completed.**

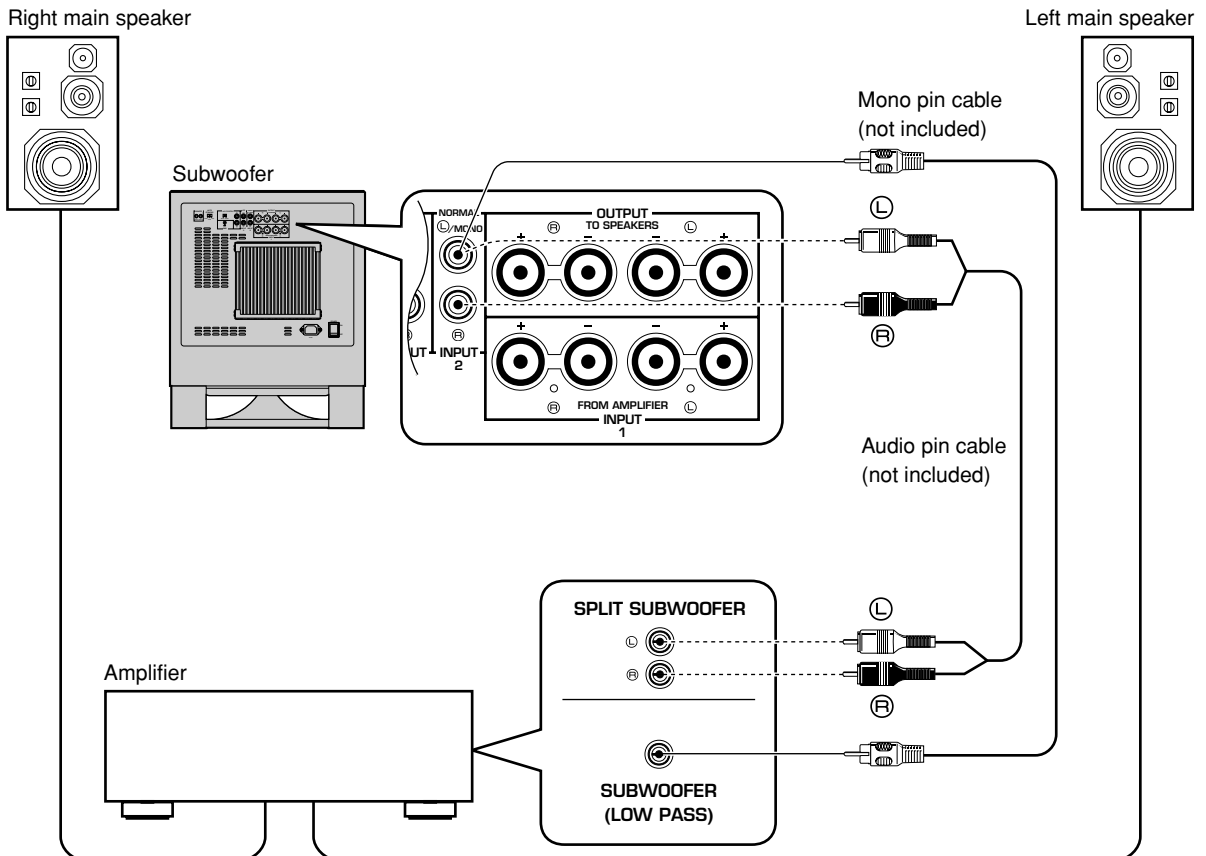
- All connections must be correct, that is to say L (left) to L, R (right) to R, “+” to “+” and “-” to “-”. Also refer to the owner’s manual for each of your components.
- The subwoofer can be connected to either the line output (pin jack) terminals or the speaker output terminals of the amplifier. Choose one of the ways shown in this section that is more suitable for your audio system. Also, refer to the owner’s manual of your component to be connected to the subwoofer. Basically, connect the subwoofer to the line output (pin jack) terminal(s) of the amplifier. (Refer to pages 4 and 5 for details.) If your amplifier does not have any line output terminal, connect the subwoofer to the speaker output terminals of the amplifier. (Refer to pages 6 and 7 for details.)

## Connecting to line output (pin jack) terminals of the amplifier

Connect the main speakers to the speaker output terminals of the amplifier.

- To connect with a YAMAHA DSP amplifier (or AV receiver), connect the SUBWOOFER (or LOW PASS etc.) terminal on the rear of the DSP amplifier (or AV receiver) to the  $\text{L}$ /MONO INPUT2 terminal of the subwoofer.
- When connecting the subwoofer to the SPLIT SUBWOOFER terminals on the rear of the DSP amplifier, be sure to connect the  $\text{L}$ /MONO INPUT2 terminal to the “L” side and the  $\text{R}$  INPUT2 terminal to the “R” side of the SPLIT SUBWOOFER terminals.

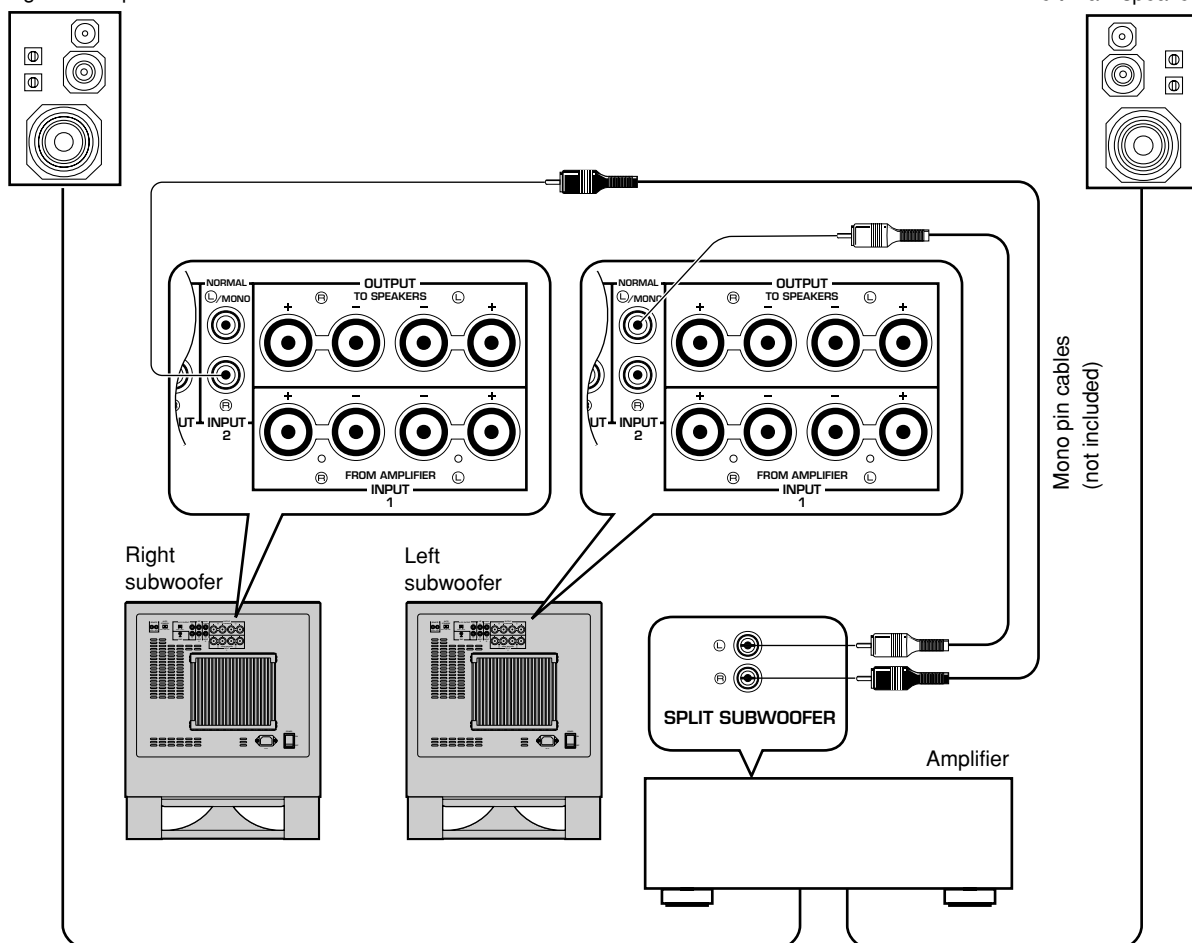
### ■ Using one subwoofer



## ■ Using two subwoofers

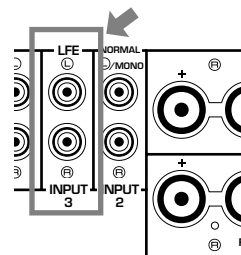
Right main speaker

Left main speaker



## ■ Connecting to the LFE (INPUT3) terminal(s)

If your amplifier can cut off high frequencies from the signals for sending to the subwoofer, connect the amplifier to the subwoofer's LFE (INPUT3) terminal(s). This will bring you higher sound quality because the signal routing in the subwoofer is shortened bypassing the built-in HIGH CUT circuit.



### Notes

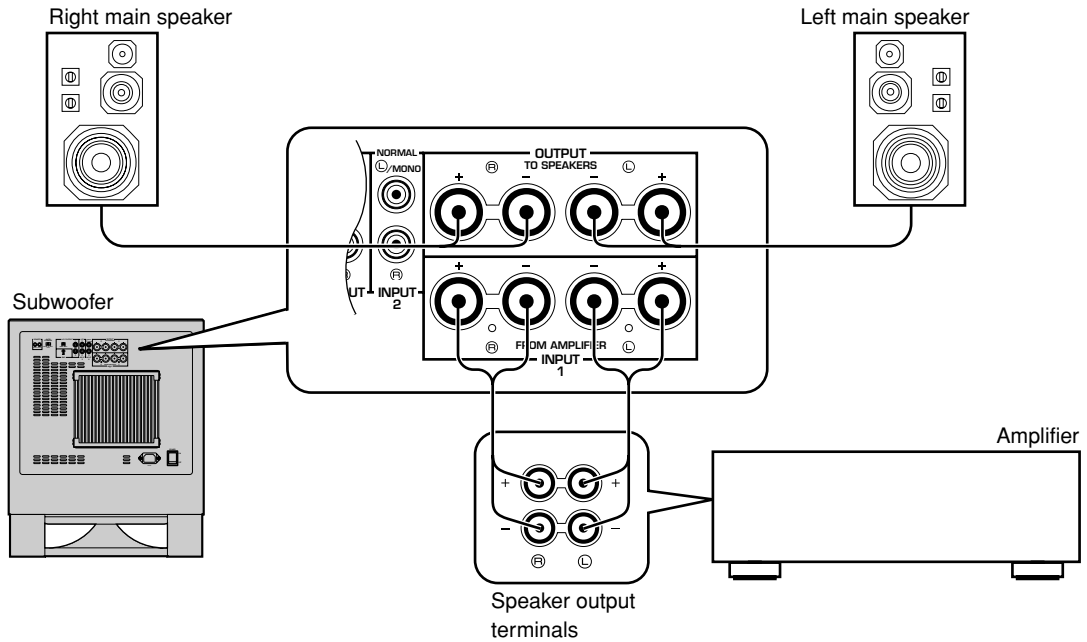
- Some amplifiers have line output terminals labelled PRE OUT. When you connect the subwoofer to the PRE OUT terminals of the amplifier, make sure that the amplifier has at least two sets of PRE OUT terminals. If the amplifier has only one set of PRE OUT terminals, do not connect the subwoofer to the PRE OUT terminals. Instead, connect the subwoofer to the speaker output terminals of the amplifier. (Refer to pages 6 and 7.)
- When connecting to a monaural line output terminal of the amplifier, connect the  $\text{L/MONO}$  INPUT2 terminal.
- When connecting to line output terminals of the amplifier, other speakers should not be connected to the OUTPUT terminals on the rear panel of the subwoofer. If connected, they will not produce sound.

## Connecting to speaker output terminals of the amplifier

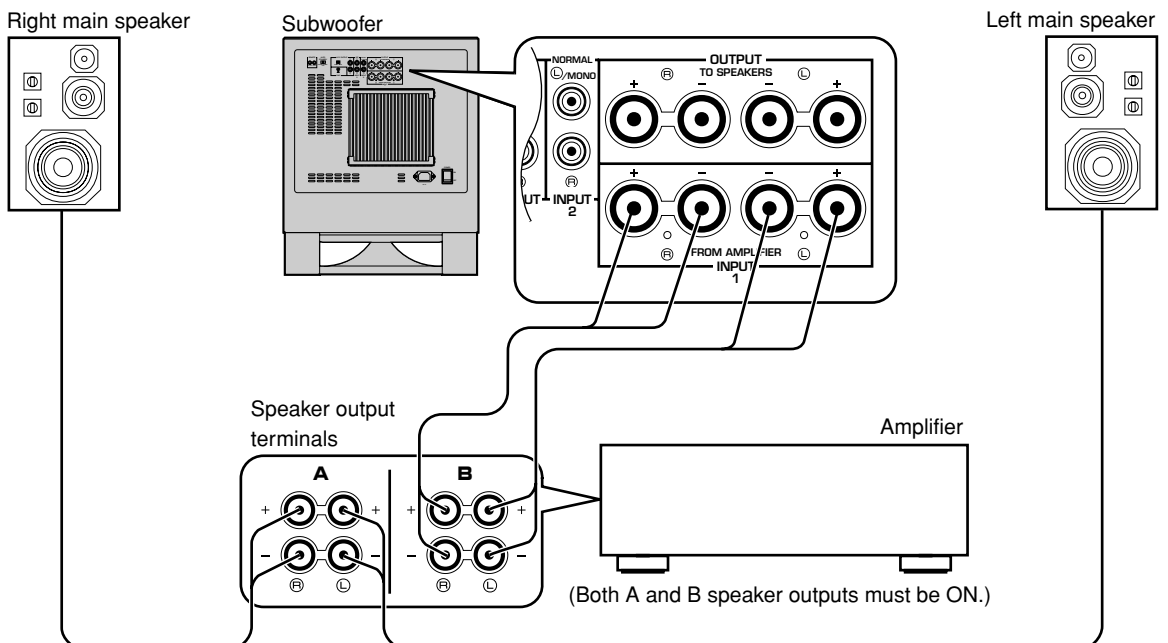
### ■ Using one subwoofer

#### If your amplifier has only one set of main speaker output terminals

Connect the speaker output terminals of the amplifier to the INPUT1 terminals of the subwoofer, and connect the OUTPUT terminals of the subwoofer to the main speakers.



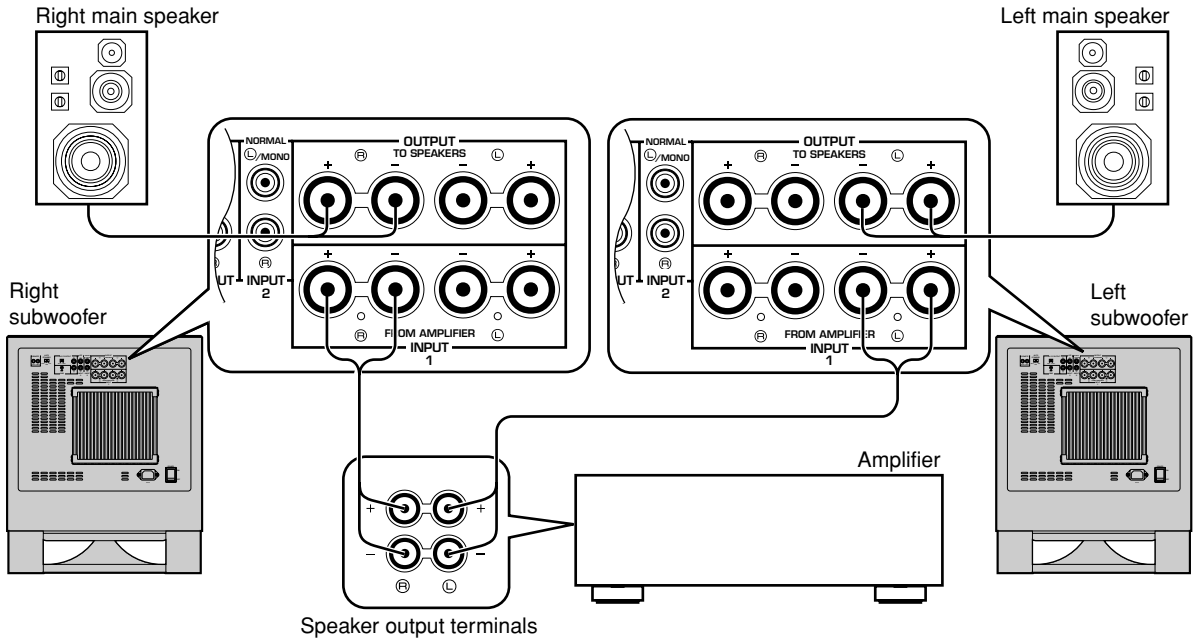
#### If your amplifier has two sets of speaker output terminals





## ■ Using two subwoofers

Connect the speaker output terminals of the amplifier to the INPUT1 terminals of the subwoofer, and connect the OUTPUT terminals of the subwoofer to the main speakers.

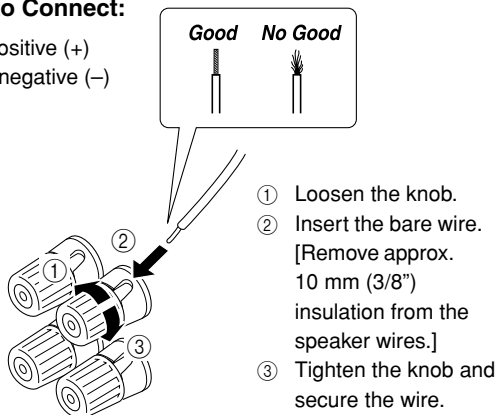


## Connecting to the INPUT1/OUTPUT terminals of the subwoofer

For connections, keep the speaker cables as short as possible. Do not bundle or roll up the excess part of the cables. If the connections are faulty, no sound will be heard from the subwoofer or the speakers, or both of them. Make sure that the + and – polarity markings of the speaker cables are observed and set correctly. If these cables are reversed, the sound will be unnatural and lack bass.

### How to Connect:

Red: positive (+)  
Black: negative (–)

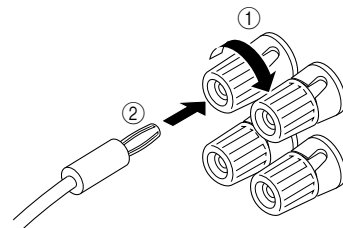


### Caution

**Do not let the bare speaker wires touch each other as this could damage the subwoofer or the amplifier, or both of them.**

<U.S.A., Canada, Australia and Korean models only>

Banana Plug connections are also possible.



- ① Tighten the terminal knob.
- ② Simply insert the Banana Plug connector into the terminal.

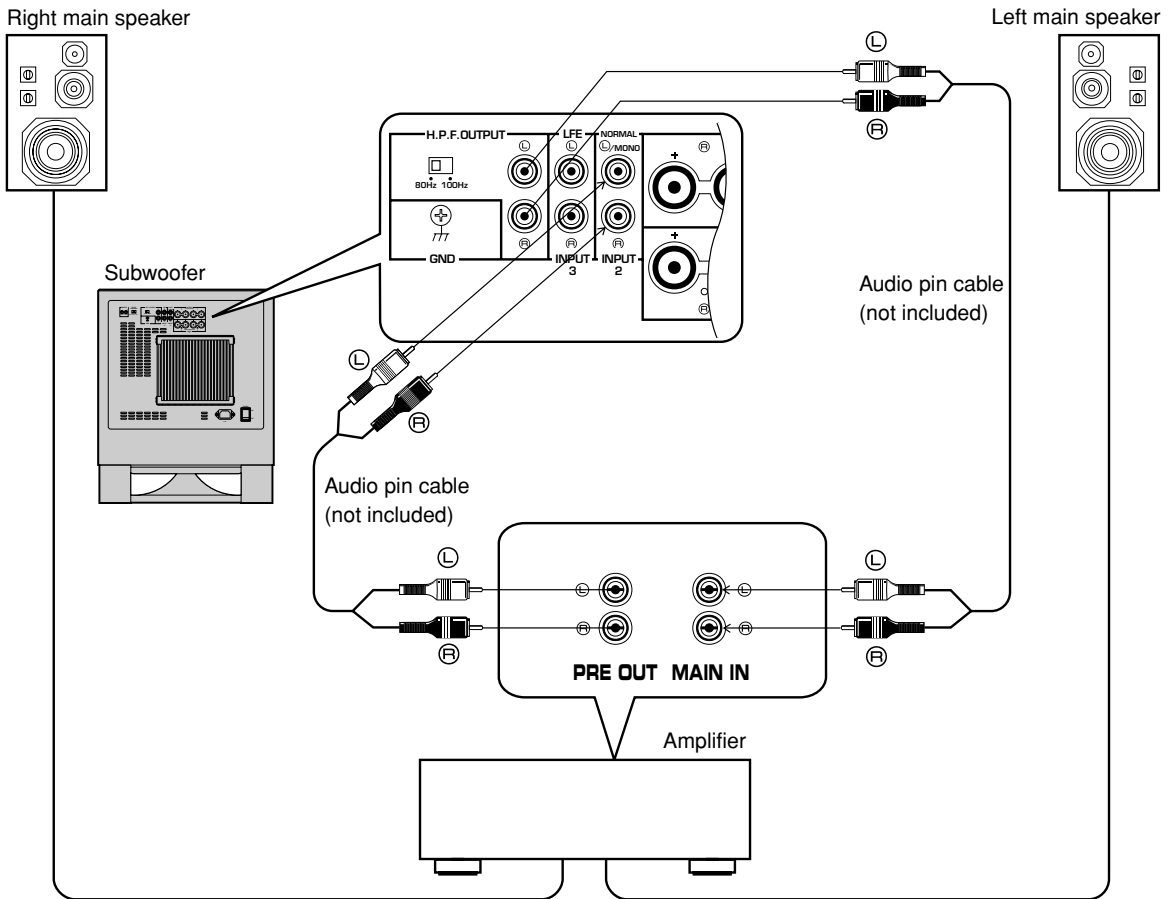
## Connecting to H.P.F. OUTPUT terminals

The use of the H.P.F. OUTPUT terminals for connections with the amplifier will improve sound quality of your speaker system. The H.P.F. (High-Pass Filter) OUTPUT terminals of the subwoofer cut off frequencies below the selected frequency point from the input signals, and output high frequencies only. By connecting this terminal with the MAIN IN terminals of the amplifier, the main speakers reproduce high frequencies only.

This will make the whole sound quality clear by preventing sound muddying between the main speakers and the subwoofer.

\* This connection can be made if your amplifier has PRE OUT and MAIN IN terminals or you are using separate amplifiers (pre-amplifier and main amplifier).

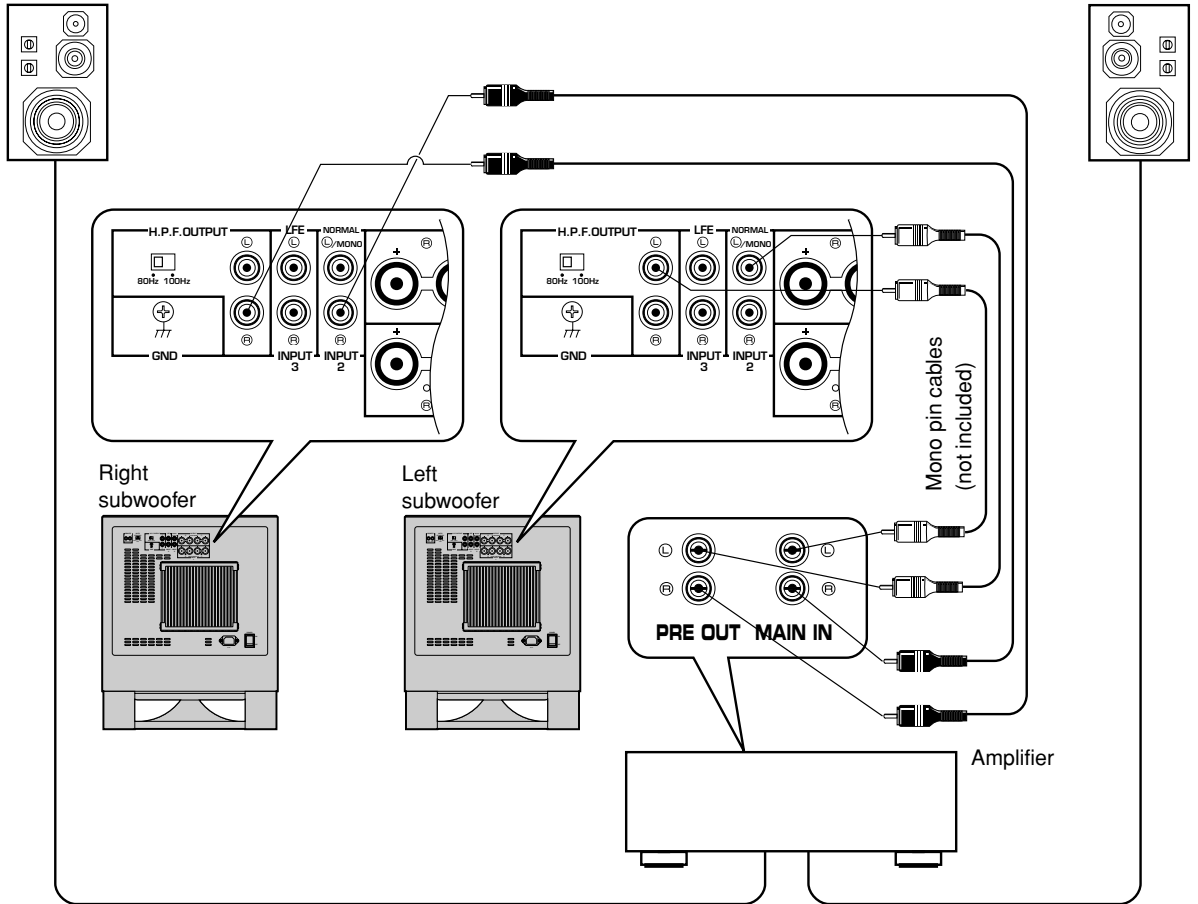
### ■ To connect one unit only



## ■ To connect two units

Right main speaker

Left main speaker

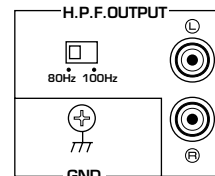


## Switching the H.P.F. OUTPUT switch

After the connection is made, select the desired frequency point (80 Hz or 100 Hz) with the **H.P.F. OUTPUT** switch.

(Normally, it is recommended to select the frequency point nearer to the main speakers' minimum reproduceable frequency.)

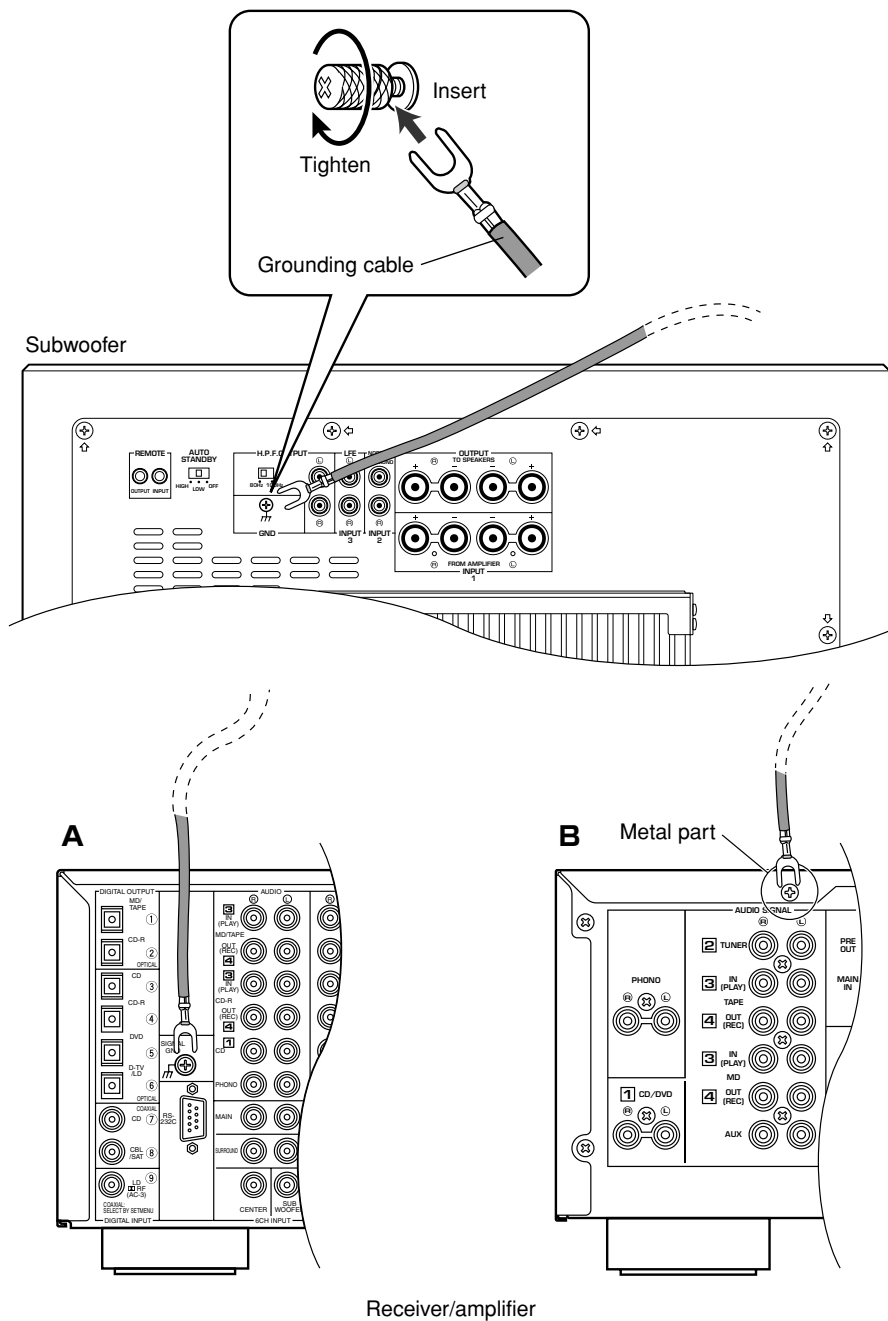
Frequencies higher than the selected frequency are output from the **H.P.F. OUTPUT** terminals.



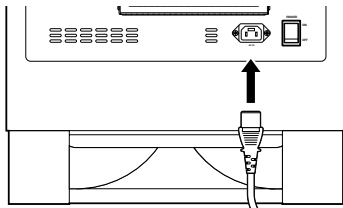
## Ground connection

If there is a humming noise when using the subwoofer connected to the speaker terminals, connect the subwoofer and the receiver/amplifier with the grounding cable as shown in Illustration A.

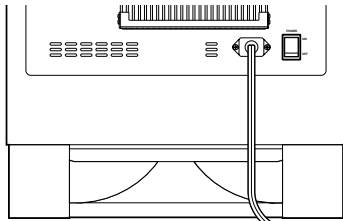
\* If there is no ground terminal (GND) on the receiver/amplifier side, connect the cable to a screw that fastens the top cover of the receiver/amplifier to the rear panel as shown in Illustration B.



## Connecting the AC power cable



(U.S.A. model) → To AC outlet



(U.K. model) → To AC outlet

### <U.S.A., Canada, Europe and Korean models>

When all connections are completed, plug the included power cable into the AC IN socket of the subwoofer, and then plug in the power cable to the wall outlet.

### Notes

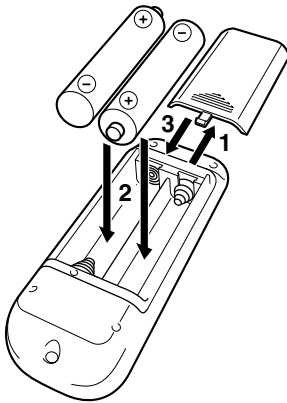
- Never connect any power cable other than the included one to the subwoofer. Otherwise, it may result in causing fire or an electrical shock.
- Do not connect the included power cable to any other unit than this subwoofer.

### <U.K. and Australia models>

Plug in the subwoofer to the wall outlet.

## NOTES ABOUT THE REMOTE CONTROL

### Battery installation



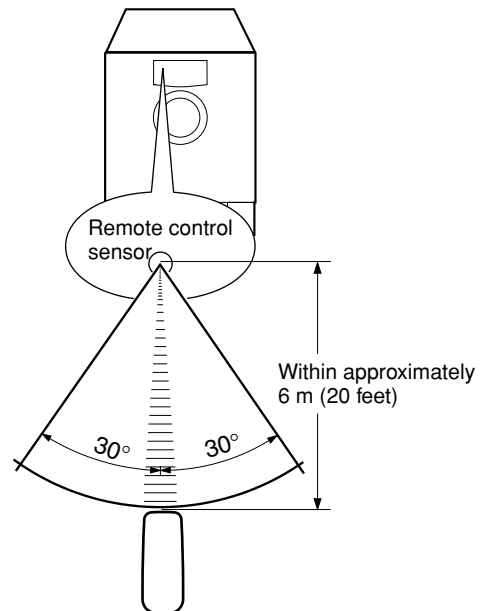
### Battery replacement

If you find that the remote control must be used closer to the main unit, the batteries are weak. Replace both batteries with new ones.

### Notes

- Use only AA, R6, UM-3 batteries for replacement.
- Be sure the polarities are correct. (See the illustration inside the battery compartment.)
- Remove the batteries if the remote control will not be used for an extended period of time.
- If batteries leak, dispose of them immediately. Avoid touching the leaked material or letting it come in contact with clothing, etc. Clean the battery compartment thoroughly before installing new batteries.

### Remote control operation range

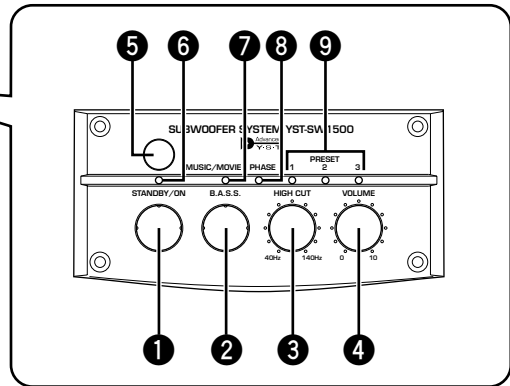
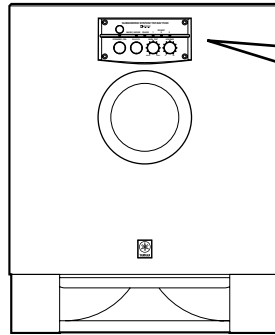


### Notes

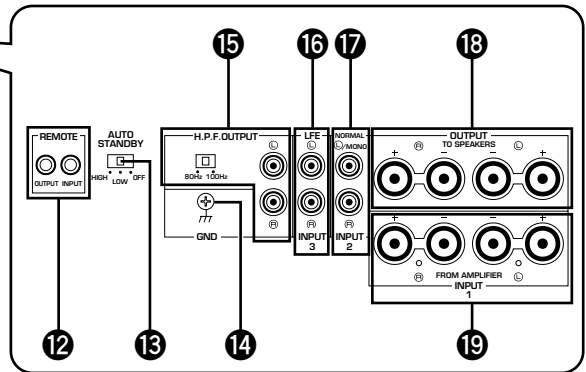
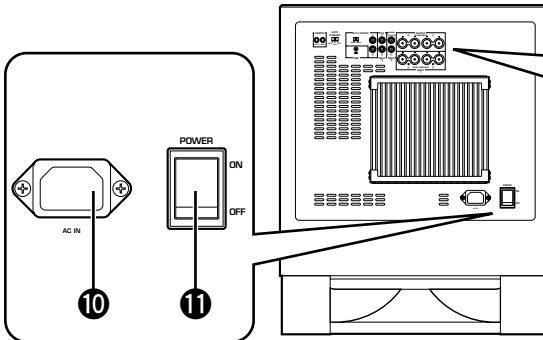
- There should be no large obstacles between the remote control and the main unit.
- If the remote control sensor is directly illuminated by strong lighting (especially an inverter type of fluorescent lamp etc.), it might cause the remote control not to work correctly. In this case, reposition the main unit to avoid direct lighting.

# CONTROLS AND THEIR FUNCTIONS

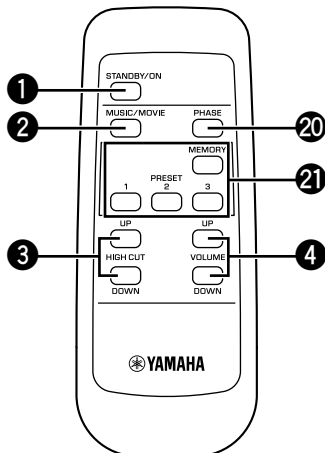
## Front panel



## Rear panel



## Remote control



### 1 STANDBY/ON button

Press this button to turn on the power. Press again to set the subwoofer in the standby mode.

\* This button can be used only when the **POWER** (11) switch is set in the ON position.

#### Standby mode

The subwoofer is still using a small amount of power in this mode.

### 2 B.A.S.S. switch

#### MUSIC/MOVIE button

By pressing this switch to select the MOVIE mode, the bass sound in video software is faithfully reproduced. By pressing this switch to select the MUSIC mode, the bass sound in audio software is well reproduced.

### 3 HIGH CUT control

#### HIGH CUT UP/DOWN buttons

Select the upper limit of the frequencies to be reproduced by the subwoofer.

To adjust the control on the front panel, put a coin, etc. in the groove on the control and turn it.

- 4 VOLUME control**  
**VOLUME UP/DOWN buttons**  
 Adjust the volume level. Turn the control clockwise or press the **UP** button to increase the volume.  
 Turn the control counterclockwise or press the **DOWN** button to decrease the volume.  
 To adjust the control on the front panel, put a coin, etc. in the groove on the control and turn it.
- 5 Remote control sensor**  
 Receives signals from the remote control.
- 6 Power indicator (LED)**  
 Lights up in green while the subwoofer is turned on.  
 Lights up in red when the subwoofer is turned into the standby mode by the automatic power-switching function.
- 7 MUSIC/MOVIE indicator (LED)**  
 Lights up in red when the MUSIC mode is selected, and in green when the MOVIE mode is selected.
- 8 PHASE indicator (LED)**  
 Lights up in red when the **PHASE** button (Ⓜ) is set in the regular mode, and in green when it is set in the reverse mode.
- 9 PRESET 1/2/3 indicators (LED)**  
 Show which PRESET number (1, 2 or 3) is selected.  
 (If the subwoofer is turned into the standby mode when one of these indicators are illuminated, no indicator will light up next time the subwoofer is turned on.)
- 10 AC IN**  
**<U.S.A., Canada, Europe and Korean models only>**  
 Plug the included power cable into this socket. Never connect a power cable other than the included one to this socket. Also, never connect the included power cable to another unit.
- 11 POWER switch**  
 Normally, set this switch to the ON position to use the subwoofer. In this state, you can turn on the subwoofer or turn the subwoofer into the standby mode by pressing the **STANDBY/ON** (Ⓛ) button. Set this switch to the OFF position to completely cut off the subwoofer's power supply from the AC line.
- 12 REMOTE terminals**  
 These terminals are used for custom installation system. When the subwoofer is connected to the components for custom installation system, you can operate the subwoofer with the system remote control.
- 13 AUTO STANDBY (HIGH/LOW/OFF) switch**  
 This switch is originally set to the OFF position. By setting this switch to the HIGH or LOW position, the subwoofer's automatic power-switching function operates as described on page 14. If you do not need this function, leave this switch in the OFF position.
- 14 GND terminal**  
 Connecting this terminal to ground (GND) terminal of the receiver/amplifier can reduce a humming noise. (See page 10.)
- 15 H.P.F. (High Pass Filter) OUTPUT switch**  
 Selects the upper limit of the frequencies to be cut off from the signals outputted at the H.P.F. OUTPUT terminals. Use this switch only when the H.P.F. OUTPUT terminals are used for connecting with the amplifier. (See page 8 for details)
- H.P.F. OUTPUT terminals**  
 These terminals cut off frequencies below the frequency point selected by the H.P.F. OUTPUT switch from the input signals and output higher frequencies.
- 16 INPUT3 (LFE) terminals**  
 The **HIGH CUT** control (Ⓢ) has no effect on the signals inputted to these terminals. (See page 5 for details)
- 17 INPUT2 terminals**  
 Used to input line level signals from the amplifier. (Refer to "CONNECTIONS" for details.)
- 18 OUTPUT (TO SPEAKERS) terminals**  
 Can be used for connecting to the main speakers. Signals are sent directly from the amplifier to the main speakers by way of these terminals. (Refer to "CONNECTIONS" for details.)
- 19 INPUT1 (FROM AMPLIFIER) terminals**  
 Used to connect the subwoofer with the speaker terminals of the amplifier. (Refer to "CONNECTIONS" for details.)
- 20 PHASE button**  
 Normally press this button to select the reverse mode. However, according to your speaker systems or the listening condition, there may be a case when better sound quality is obtained by selecting the regular mode. Select the better mode by monitoring the sound. In the reverse mode, the PHASE indicator on the front panel lights up in green, and in the regular mode, it lights up in red.
- 21 MEMORY button/PRESET buttons**  
 Used to store and recall the data for the **B.A.S.S.** [**MUSIC/MOVIE**] (Ⓜ), the **VOLUME [VOLUME UP/DOWN]** (Ⓛ), the **HIGH CUT [HIGH CUT UP/DOWN]** (Ⓢ) and the **PHASE** (Ⓜ) adjustments. (See page 16.)

# AUTOMATIC POWER-SWITCHING FUNCTION

If the source being played is stopped and the input signal is cut off for 7 to 8 minutes, the subwoofer automatically switches to the standby mode. (When the subwoofer switches to the standby mode by the automatic power-switching function, the power indicator lights up in red.) When you play a source again, the power of the subwoofer turns on automatically by sensing audio signals input to the subwoofer.

This function operates by sensing a certain level of low frequency input signal. Usually set the **AUTO STANDBY** switch to the LOW position. However, if the power is not switched to ON or STANDBY smoothly, set the switch to the HIGH position. In the HIGH position, the power will turn on even with a low level of input signal. But please be aware that the subwoofer may not switch to the standby mode when there is an extremely low input signal.

- \* The power might turn on unexpectedly by sensing noise from other appliances. If that occurs, set the **AUTO STANDBY** switch to the OFF position.
- \* This function detects the low-frequency components below 200 Hz of the input signals (i.e., the explosion in the action movie, the sound of the bass guitar or the bass drum, etc.).
- \* The minutes required to switch the subwoofer to the standby mode might change by sensing noise from other appliances.

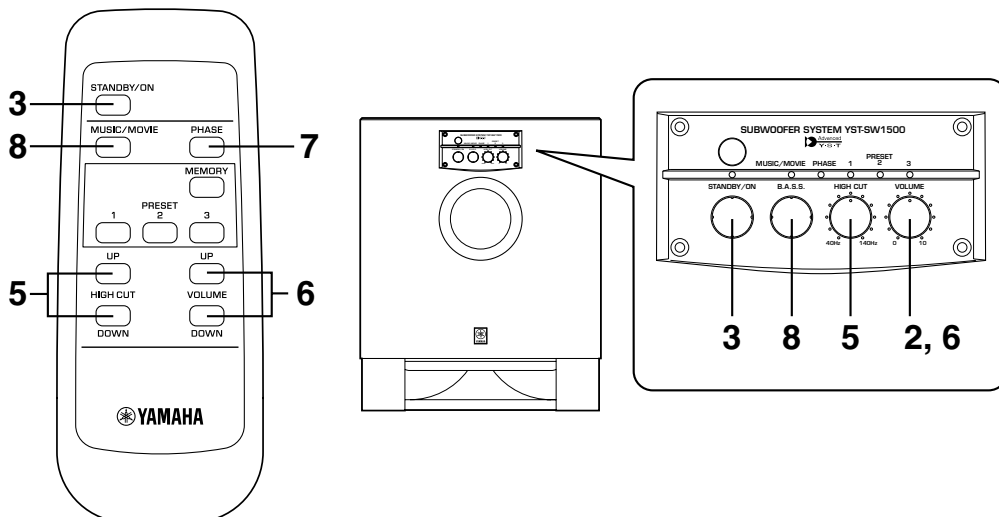
**This function is available only when the power of the subwoofer is on (by setting the STANDBY/ON button to "ON").**

**This function will not work if the subwoofer is turned into the standby mode by using the STANDBY/ON button. (The power indicator on the front panel goes off.)**



# ADJUSTING THE SUBWOOFER BEFORE USE

Before using the subwoofer, adjust the subwoofer to obtain the optimum volume and tone balance between the subwoofer and the main speakers by following the procedures described below.



- 1 Set the volume level on the amplifier to minimum, and turn on the amplifier and other components.
- 2 Turn the **VOLUME** control to set the control to minimum (0).
- 3 Make sure that the **POWER** switch on the rear panel is set to the ON position, then press the **STANDBY/ON** button to turn on the subwoofer.
  - \* The power indicator lights up in green.
- 4 Play a source containing low-frequency components and adjust the amplifier's volume control to the desired listening level.
- 5 Turn the **HIGH CUT** control (or press the **HIGH CUT UP/DOWN** buttons on the remote control) to set the control to the position where the desired response can be obtained.
  - Normally, set the control to the main speaker's rated minimum reproducible frequency\*.
  - \* The main speaker's rated minimum reproducible frequency can be looked up in the speakers' catalog or owner's manual.
- 6 Increase the volume gradually to adjust the volume balance between the subwoofer and the main speakers.

Normally, set the control to the level where you can obtain a little more bass effect than when the subwoofer is not used. If the desired response cannot be obtained, adjust the HIGH CUT control and the VOLUME control again.

- 7 Press the **PHASE** button to select the regular or reverse mode which gives you the better bass sound.
  - Normally, select the reverse mode (so that the PHASE indicator on the front panel lights up in green). If the desired response cannot be obtained, select the regular mode (so that the PHASE indicator lights up in red).
- 8 Select "MOVIE" or "MUSIC" according to the played source.

**MOVIE** (when the MUSIC/MOVIE indicator on the front panel lights up in green):

When a movie type source is played, the low-frequency effects are enhanced to allow the listener enjoy more powerful sound. (The sound will be thicker and deeper.)

**MUSIC** (when the MUSIC/MOVIE indicator on the front panel lights up in red):

When an ordinary music source is played, the excessive low-frequency components are cut off to make the sound clearer. (The sound will be lighter and reproduces the melody line more clearly.)

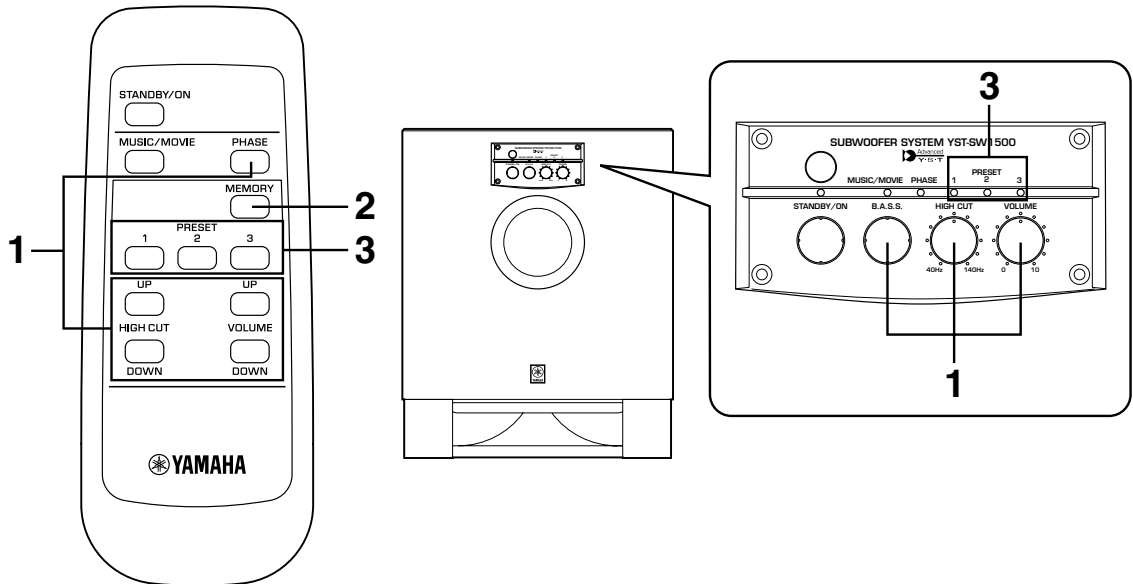
- **Once the volume balance between the subwoofer and the main speakers is adjusted, you can adjust the volume of your whole sound system by using the amplifier's volume control.**

**However, if you change the main speakers to others, you must make this adjustment again.**

- **For adjusting the VOLUME control, the HIGH CUT control and the PHASE button, refer to "Frequency characteristics" on page 17.**

## Storing preset data of the VOLUME control etc.

You can store preset data of the **VOLUME** control, the **HIGH CUT** control, the **PHASE** button and the **B.A.S.S.** switch as a set. Each of the three **PRESET** buttons on the remote control is used to store (and recall) one set of data. With this function, you can recall any preset data easily according to the source.



### ■ To store

- 1** Adjust the **VOLUME** control, the **HIGH CUT** control, the **PHASE** button and the **B.A.S.S.** switch.
- 2** Press the **MEMORY** button. The **PRESET** number indicators on the front panel flash.
- 3** Press the **PRESET 1** button. The corresponding PRESET number indicator illuminates. This shows that the data has been stored in **PRESET 1**.

\* In the same way, store other sets of data in **PRESET 2** and **3**.

\* The default setting of each **PRESET** button is suitable for using the following Yamaha speaker system with this subwoofer.

**PRESET 1:** NS-8HX, NS-6HX

**PRESET 2:** NS-4HX

**PRESET 3:** NS-2HX

### Notes

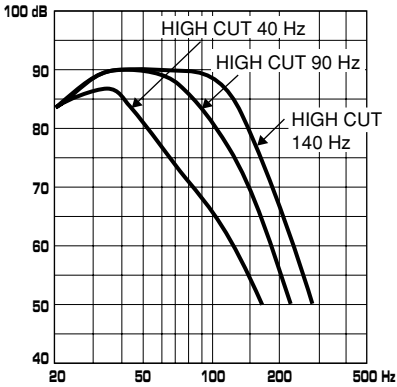
- A new setting can be stored in place of the former one.
- While the **VOLUME** control or the **HIGH CUT** control is rotating from a **PRESET** button having been pressed, pressing another **PRESET** button is ineffective.

### Memory back-up

The memory back-up circuit prevents the stored data from being lost even if the **POWER** switch is set off or the power plug is disconnected from the AC outlet or the power is cut due to temporary power failure. If, however, the power is lost for more than one week, the memory may be erased. If so, it can be re-stored by simply following the steps described above.

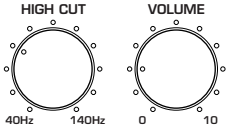
# Frequency characteristics

This subwoofer's frequency characteristics

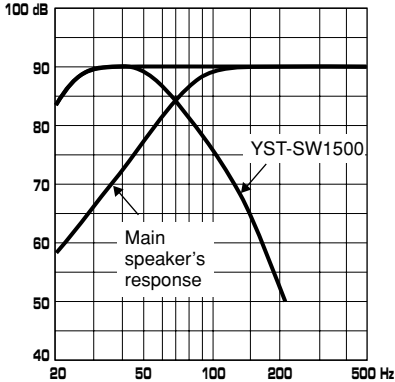


The figures below show the optimum adjustment of each control and the frequency characteristics when this subwoofer is combined with a typical main speaker system.

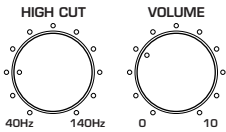
**EX.1 When combined with a 4" or 5" (10 cm or 13 cm) acoustic suspension, 2 way system main speakers**



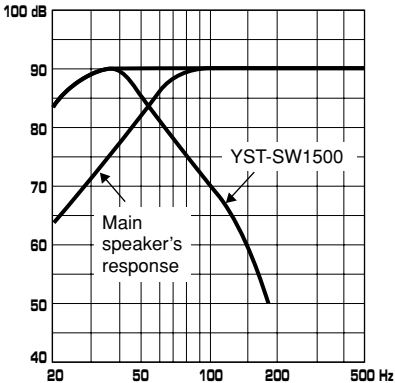
**PHASE**—Set to the reverse mode.  
**B.A.S.S.**—MOVIE



**EX.2 When combined with an 8" or 10" (20 cm or 25 cm) acoustic suspension, 2 way system main speakers**



**PHASE**—Set to the reverse mode.  
**B.A.S.S.**—MOVIE



# ADVANCED YAMAHA ACTIVE SERVO TECHNOLOGY

The theory of Yamaha Active Servo Technology has been based upon two major factors, the Helmholtz resonator and negative-impedance drive. Active Servo Processing speakers reproduce the bass frequencies through an “air woofer”, which is a port or opening in the speaker’s cabinet. This opening is used instead of, and performs the functions of, a woofer in a conventionally designed speaker system. Thus, signals of low amplitude within the cabinet can, according to the Helmholtz resonance theory, be outputted from this opening as waves of great amplitude if the size of the opening and the volume of the cabinet are in the correct proportion to satisfy a certain ratio.

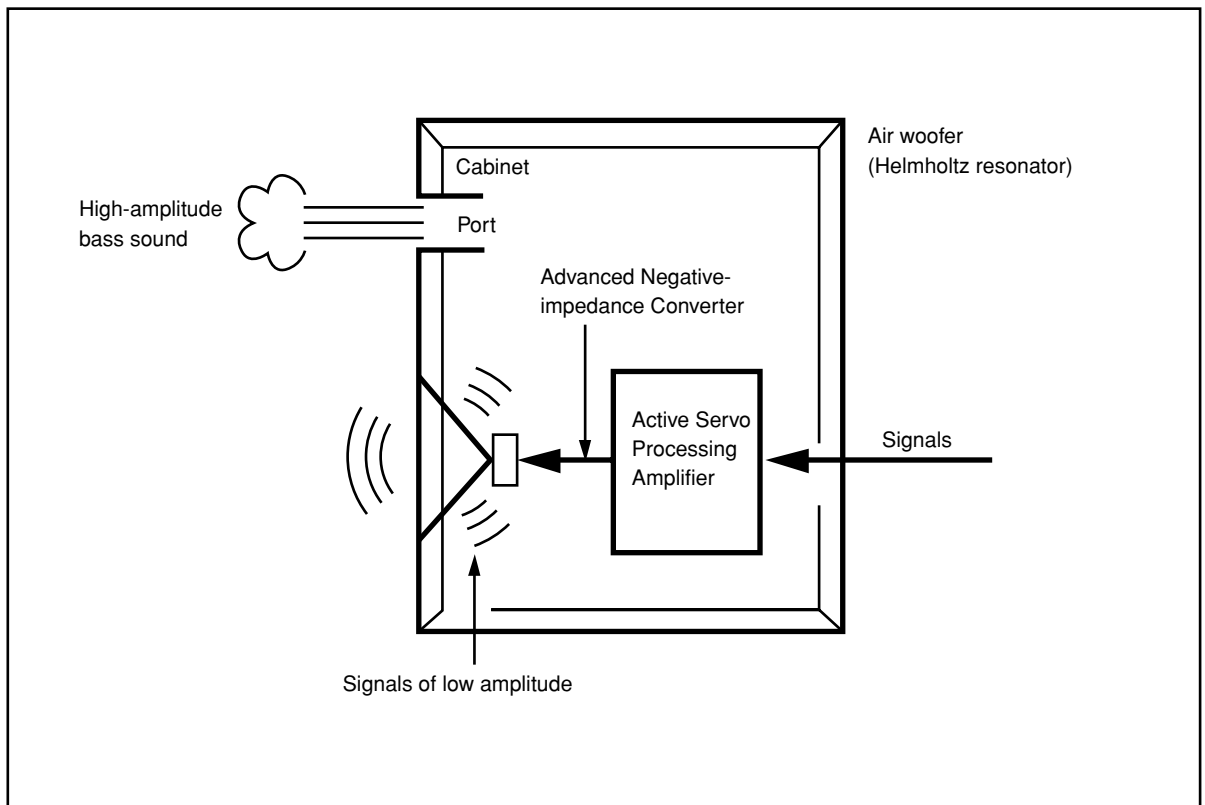
In order to accomplish this, moreover, the amplitudes within the cabinet must be both precise and of sufficient power because these amplitudes must overcome the “load” presented by the air that exists within the cabinet.

Thus it is this problem that is resolved through the employment of a new design in which the amplifier supplies special signals. If the electrical resistance of the voice coil could be reduced to zero, the movement of the speaker unit would become linear with respect to signal voltage. To accomplish this, a special negative-impedance output-drive amplifier for subtracting output impedance of the amplifier is used.

By employing negative-impedance drive circuits, the amplifier is able to generate precise, low-amplitude, low-frequency waves with superior damping characteristics. These waves are then radiated from the cabinet opening as high-amplitude signals. The system can, therefore, by employing the negative-impedance output drive amplifier and a speaker cabinet with the Helmholtz resonator, reproduce an extremely wide range of frequencies with amazing sound quality and less distortion.

The features described above, then, are combined to be the fundamental structure of the conventional Yamaha Active Servo Technology.

Our new Active Servo Technology — Advanced Yamaha Active Servo Technology — adopted Advanced Negative Impedance Converter (ANIC) circuits, which allows the conventional negative impedance converter to dynamically vary in order to select an optimum value for speaker impedance variation. With this new ANIC circuits, Advanced Yamaha Active Servo Technology can provide more stable performance and improved sound pressure compared with the conventional Yamaha Active Servo Technology, resulting in more natural and dynamic bass reproduction.



# TROUBLESHOOTING

Refer to the chart below when this unit does not function properly. If the problem you are experiencing is not listed below or if the instructions given below do not help, disconnect the power cable and contact your authorized YAMAHA dealer or service center.

Problem	Cause	What to Do
<b>Power is not supplied even though the STANDBY/ON button is set to the ON position.</b>	The power cable is not plugged in, or the POWER switch is set to the OFF position.	Connect the power cable to both the AC IN socket of the subwoofer and an AC outlet securely, or set the POWER switch to the ON position.
<b>No sound.</b>	The volume is set to minimum.	Raise the volume up.
	Speaker cables are not connected securely.	Connect them securely.
<b>Sound level is too low.</b>	Speaker cables are not connected correctly.	Connect them correctly, that is L (left) to L, R (right) to R, "+" to "+" and "-" to "-".
	Setting of the PHASE is not proper.	Set the PHASE to the another mode.
	A source sound with few bass frequencies is played.	Play a source sound with bass frequencies. Set the HIGH CUT control to a higher position.
	It is influenced by standing waves.	Reposition the subwoofer or break up the parallel surface by placing bookshelves etc. along the walls.
<b>The subwoofer does not turn on automatically.</b>	The POWER switch is set to the OFF position.	Set the POWER switch to the ON position.
	The subwoofer is set to the standby mode by pressing the STANDBY/ON button. (The power indicator is not illuminated.)	Turn on the subwoofer again by pressing the STANDBY/ON button.
	The AUTO STANDBY switch is set to the OFF position.	Set the AUTO STANDBY switch to the "HIGH" or "LOW" position.
	The level of input signal is too low.	Set the AUTO STANDBY switch to the "HIGH" position.
<b>The subwoofer turns into the standby mode unexpectedly.</b>	The level of input signal is too low.	Set the AUTO STANDBY switch to the "HIGH" position.
<b>The subwoofer turns on unexpectedly.</b>	There is an influence of noise generated from external appliances etc.	Move the subwoofer farther away from such appliances and/or reposition the connected speaker cables. Otherwise, set the AUTO STANDBY switch to the "OFF" position.
<b>The household breaker goes off.</b>	The subwoofer consumes much electricity when a high level signal is inputted to the subwoofer.	Turn down the volume on the amplifier etc. connected to the subwoofer or cut off the power to other unused equipment.
<b>The remote control does not work.</b>	Direct sunlight or lighting (of an inverter type of fluorescent lamp etc.) is striking the remote control sensor of the main unit.	Change position of the main unit.
<b>The distance or range within which the remote control can be used decreases.</b>	The batteries of this remote control are too weak.	Replace the batteries with new ones.

## Note

When an excessive level of signal is inputted to the subwoofer for 5 to 15 minutes, the power indicator begins flashing to alarm you of the danger of damaging the power amplifier and speaker in this subwoofer system. If the signal input lasts for 5 minutes more, the subwoofer turns into the standby mode automatically .

# SPECIFICATIONS

---

**Type** ..... Advanced Yamaha Active Servo Technology

**Power Consumption** ..... 250W

**Driver** ..... 30 cm (12") cone woofer  
Magnetic shielding type

**Standby Power Consumption** ..... 1.0W

**Amplifier Output** ..... 1 kW/5Ω

**Dimensions (W x H x D)** ..... 420 mm x 511 mm x 448 mm  
(16-9/16" x 20-1/8" x 17-5/8")

**Frequency Response** ..... 16 Hz–160 Hz (–10 dB)

**Weight** ..... 29 kg (63 lbs. 15 oz.)

## Power Supply

**U.S.A. and Canada models** ..... AC 120V, 60 Hz

**U.K. and Europe models** ..... AC 230V, 50 Hz

**Australia model** ..... AC 240V, 50 Hz

**Korean model** ..... AC 220V, 50 Hz

\* Please note that all specifications are subject to change without notice.

## PRECAUTIONS D'USAGE: Tenir compte des précautions ci-dessous avant de faire fonctionner l'appareil.

*Veillez lire les précautions suivantes avant toute utilisation. YAMAHA ne se tiendra pas responsable d'aucun dommage et/ou d'aucune blessure causés en ne suivant pas les avertissements ci-dessous.*

- Pour garantir les meilleures performances possibles, lire ce manuel avec attention. Le garder dans un endroit sûr pour une utilisation ultérieure.
  - Installer l'appareil dans un endroit frais, sec et propre, loin de fenêtres, sources de chaleur et d'endroits où les vibrations, la poussière, l'humidité ou le froid sont importants. Éviter les sources de bourdonnements (transformateurs, moteurs). Pour éviter les incendies ou électrocution, ne pas exposer l'appareil à la pluie ni à l'humidité.
  - Ne jamais ouvrir le coffret. Si un objet pénètre dans l'appareil, contacter son revendeur.
  - Le voltage à utiliser doit être le même que celui spécifié sur le panneau arrière. Utiliser l'appareil avec un plus haut voltage que spécifié est dangereux et peut causer un feu et/ou une électrocution.
  - Afin d'éviter tout risque d'incendie ou d'électrocution, ne pas exposer l'appareil à la pluie ni à l'humidité.
  - Ne pas forcer les commutateurs, les touches ou les câbles de raccordement. Lors du déplacement de l'appareil, d'abord débrancher la prise d'alimentation et les câbles le raccordant à d'autres appareils. Ne jamais tirer sur les cordons.
  - Lorsqu'on prévoit de ne pas utiliser cet appareil pendant longtemps (pendant les vacances, par exemple), débrancher le cordon d'alimentation CA de la prise murale.
  - Pour prévenir tout dégât dû à la foudre, débrancher la prise d'alimentation CA en cas d'orage.
  - Cet appareil possédant un amplificateur intégré, de la chaleur sera irradiée par le panneau arrière. Par conséquent, placer l'appareil à une certaine distance des murs, en laissant suffisamment d'espace au-dessus, derrière et des deux côtés de l'appareil afin d'éviter tout risque de dommage ou d'incendie. Ne pas positionner non plus cet appareil dos au plancher ou à une autre surface. Laisser un espace d'au moins 20 cm au-dessus, derrière et des deux côtés de l'appareil.
  - Ne pas couvrir le panneau arrière de cet appareil avec un journal, une nappe, un rideau, etc., afin de ne pas empêcher le rayonnement de chaleur. Si la température s'élève à l'intérieur de l'appareil, ceci risque de causer un incendie, d'endommager l'appareil et/ou de provoquer des blessures corporelles.
  - Ne pas placer de petits objets métalliques sur l'appareil. Ils pourraient tomber et risqueraient de causer une blessure.
  - Ne placez pas les objets suivants sur l'appareil: Verres, porcelaine, etc.
    - Si les verres, etc., tombent sous l'effet des vibrations et se rompent, ceci risque de causer des blessures.
- Une bougie allumée, etc.
- Si la bougie tombe sous l'effet des vibrations, ceci risque de causer un incendie et des blessures.
- Un récipient contenant de l'eau
- Si le récipient tombe sous l'effet des vibrations et que l'eau se répand, ceci risque d'endommager l'appareil et/ou de causer une électrocution.
- Ne pas placer l'appareil dans un endroit où des corps étrangers comme des gouttes d'eau peuvent tomber. Ceci peut causer un feu, des dommages à l'appareil et/ou une blessure corporelle.
  - Ne jamais placer d'objet fragile à proximité du port YST de l'appareil. Si l'objet tombe à cause de la pression d'air, il peut entraîner des dommages à l'appareil et/ou des blessures.

- Ne jamais introduire la main ou tout corps étranger dans le port YST situé sur l'avant de l'appareil. Lors du déplacement de cet appareil, ne pas le tenir par le port, cela peut entraîner des blessures et/ou endommager l'appareil.
- Ne jamais ouvrir le coffret. Cet appareil utilisant un haut voltage, cela peut entraîner une décharge électrique. Cela peut également entraîner des blessures et/ou endommager l'appareil.
- En utilisant un humidificateur, éviter la condensation à l'intérieur de l'appareil en libérant la place autour de l'appareil ou en évitant l'humidification extrême. La condensation peut causer un feu, des dommages à l'appareil et/ou une électrocution.
- Les sons de très basse fréquence produits par cet appareil peuvent provoquer un sifflement sur le tourne-disque. Dans ce cas, éloigner cet appareil du tourne-disque.
- Cet appareil pourra se trouver endommagé si certains sons se trouvent émis à haut volume de façon continue. Par exemple, si des ondes sinusoidales de 20 – 50 Hz d'un disque d'essai, des sons de basse fréquence d'un instrument électronique, etc. sont émis continuellement, ou lorsque l'aiguille d'un tourne-disque est posée sur un disque en rotation, il faut réduire le volume sonore afin que cet appareil ne soit pas endommagé.
- Si une distorsion se fait entendre (par exemple des petits coups secs intermittents ou un "martèlement") sur cet appareil, diminuer le niveau sonore. La lecture à très haut volume des sons de basse ou des sons de basses fréquences de la bande sonore d'un film, ou de passages de musique populaire de forte intensité, sont susceptibles d'endommager ce système d'enceintes.
- Les vibrations provenant des fréquences très basses peuvent causer de la distorsion sur l'image d'un téléviseur placé à proximité. Si c'est la cas, éloigner l'appareil du téléviseur.
- Ne pas essayer de nettoyer l'appareil avec des diluants chimiques, ceci endommagerait le fini. Utiliser un chiffon propre et sec.
- Bien lire la section "EN CAS DE DIFFICULTES" concernant les erreurs de fonctionnement communes avant de conclure que votre appareil est en panne.
- **Le propriétaire du système est entièrement responsable du bon positionnement et de la bonne installation du système. YAMAHA décline toute responsabilité en cas d'accident causé par un positionnement ou une installation inadéquats des enceintes.**

### Mode veille

Lorsque cet appareil est mis hors tension en appuyant sur la touche STANDBY/ON du panneau avant, l'appareil consomme une faible quantité de courant. Cet état est appelé mode veille. L'alimentation électrique de cet appareil est coupée complètement de la ligne d'alimentation CA seulement lorsqu'on a mis le commutateur POWER dans la position OFF ou qu'on a débranché le cordon d'alimentation CA.

Bien que cet appareil soit doté d'un blindage magnétique, il est possible que la couleur des images d'un téléviseur placé à proximité en soit affectée. Dans ce cas, éloigner cet appareil du téléviseur.

### POUR LES CONSOMMATEURS CANADIENS

Pour éviter les chocs électriques, introduire la lame la plus large de la fiche dans la borne correspondante de la prise et pousser jusqu'au fond. Cet appareil numérique de la classe B est conforme à la norme NMB-003 du Canada.

# TABLE DES MATIERES

---

## VERIFICATION DES ACCESSOIRES

.....Intérieur du couvercle avant

**PRECAUTIONS D'USAGE** ..... 1

**CARACTERISTIQUES** ..... 2

**POSITIONNEMENT** ..... 3

**RACCORDEMENTS** ..... 4

Raccordement aux bornes de sortie de ligne (fiche Cinch) de l'amplificateur..... 4

Raccordement aux bornes de sortie d'enceinte de l'amplificateur ..... 6

Raccordement aux bornes H.P.F. OUTPUT ..... 8

Mise à la masse ..... 10

Raccordement du cordon CA ..... 11

## REMARQUES A PROPOS

**DE LA TELECOMMANDE** ..... 11

## LES COMMANDES ET LEURS

**FONCTIONS** ..... 12

## FONCTION DE COMMUTATION DE

**L'ALIMENTATION AUTOMATIQUE** ..... 14

## REGLAGE DU SUBWOOFER AVANT

**L'UTILISATION** ..... 15

Mise en mémoire des données pré-réglées de la commande de VOLUME etc. .... 16

Caractéristiques de fréquence ..... 17

## ADVANCED YAMAHA ACTIVE SERVO

**TECHNOLOGY** ..... 18

**EN CAS DE DIFFICULTES** ..... 19

**CARACTERISTIQUES TECHNIQUES** ... 20

---

## CARACTERISTIQUES

---

- Ce subwoofer utilise la Advanced YAMAHA Active Servo Technology mise au point par YAMAHA pour une reproduction des basses fréquences de meilleure qualité. (Reportez-vous à la page 18 pour plus de détails sur la technologie Advanced YAMAHA Active Servo Technology.) Le son à super basses ajoute plus de réalisme, et un effet cinéma-à-domicile à votre système stéréo.
- Ce subwoofer peut être facilement ajouté à votre chaîne actuelle en le raccordant soit aux bornes d'enceintes soit aux bornes de sortie de ligne (fiche Cinch) de l'amplificateur.
- Pour utiliser au mieux les possibilités de ce subwoofer, les basses fréquences de ce subwoofer doivent être harmonisées avec les sons des enceintes principales. De plus, il est possible d'optimiser la qualité sonore suivant les conditions d'écoute au moyen de la commande HIGH CUT et de la touche PHASE.
- Vous pouvez modifier les réglages du subwoofer à l'aide de la télécommande sans avoir à quitter votre position d'écoute.

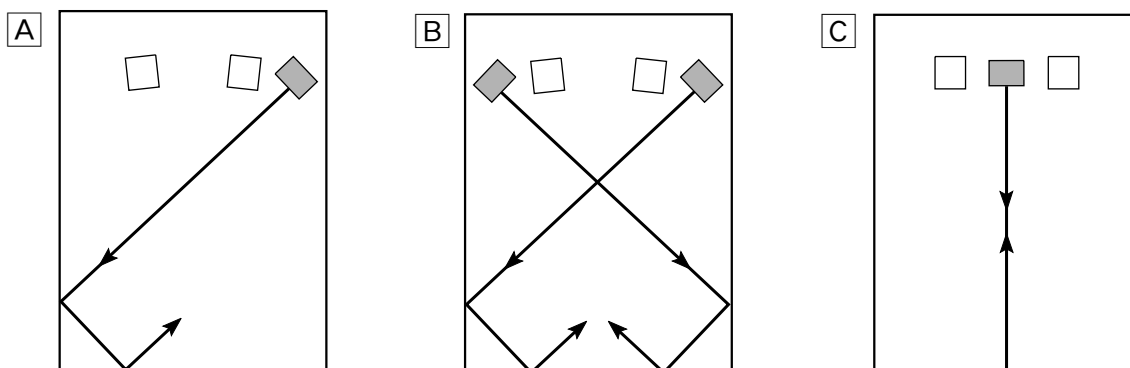
- La fonction de commutation d'alimentation automatique évite d'avoir à appuyer sur la touche STANDBY/ON pour mettre le subwoofer sous et hors tension.
- Il est possible de sélectionner un effet de basses convenant à la source à l'aide de la touche B.A.S.S.
- L'utilisation des bornes H.P.F. OUTPUT pour la connexion de l'amplificateur sert beaucoup à améliorer la qualité du son de votre système d'enceinte.  
Ce branchement empêche la transmission des basses fréquences du signal d'entrée vers les enceintes principales qui ne sont pas adaptées à leur reproduction, annulant par conséquent les effets nuisibles de cette mauvaise reproduction.



**QD-Bass**  
TECHNOLOGY

### Technologie QD-Bass

La technologie QD-Bass (Quatre Dispersion Bass) utilise des plaques réfléchissantes carrées, de forme pyramidale pour rayonner le son dans les quatre directions horizontales.





(  : subwoofer,  : enceintes principales)

L'utilisation d'un seul subwoofer dans une chaîne donne déjà de bons résultats, cependant l'utilisation de deux subwoofers est recommandée pour accroître l'effet du son.

Lorsqu'on utilise un seul subwoofer, il est recommandé de le placer sur le côté extérieur de l'enceinte principale droite ou gauche. (Voir la fig. [A](#).) Lorsqu'on utilise deux subwoofers, il est recommandé de les placer sur le côté extérieur de chacune des enceintes principales. (Voir la fig. [B](#).) Il est également possible de positionner les enceintes comme indiqué à la fig. [C](#); cependant, si le subwoofer est placé directement contre le mur, l'effet de basse pourra se trouver supprimé car le son émis par l'enceinte et le son renvoyé par le mur s'annuleront mutuellement. Pour éviter ce problème, placer le subwoofer à angle oblique par rapport au mur, comme indiqué sur la fig. [A](#) ou [B](#).

## Remarque

Les sons de très basses fréquences du subwoofer peuvent quelquefois être trop faiblement perçus à partir d'une position d'écoute en milieu de pièce. Les "ondes stationnaires" renvoyées par deux murs parallèles peuvent en effet s'annuler mutuellement et supprimer les sons de basses.

Dans un tel cas, diriger le subwoofer obliquement par rapport au mur. Il peut être également nécessaire de modifier le parallélisme des surfaces murales en plaçant des étagères etc. le long des murs.

# RACCORDEMENTS

**Attention: Brancher le subwoofer et les autres composants audio/vidéo après avoir accompli tous les raccordements.**

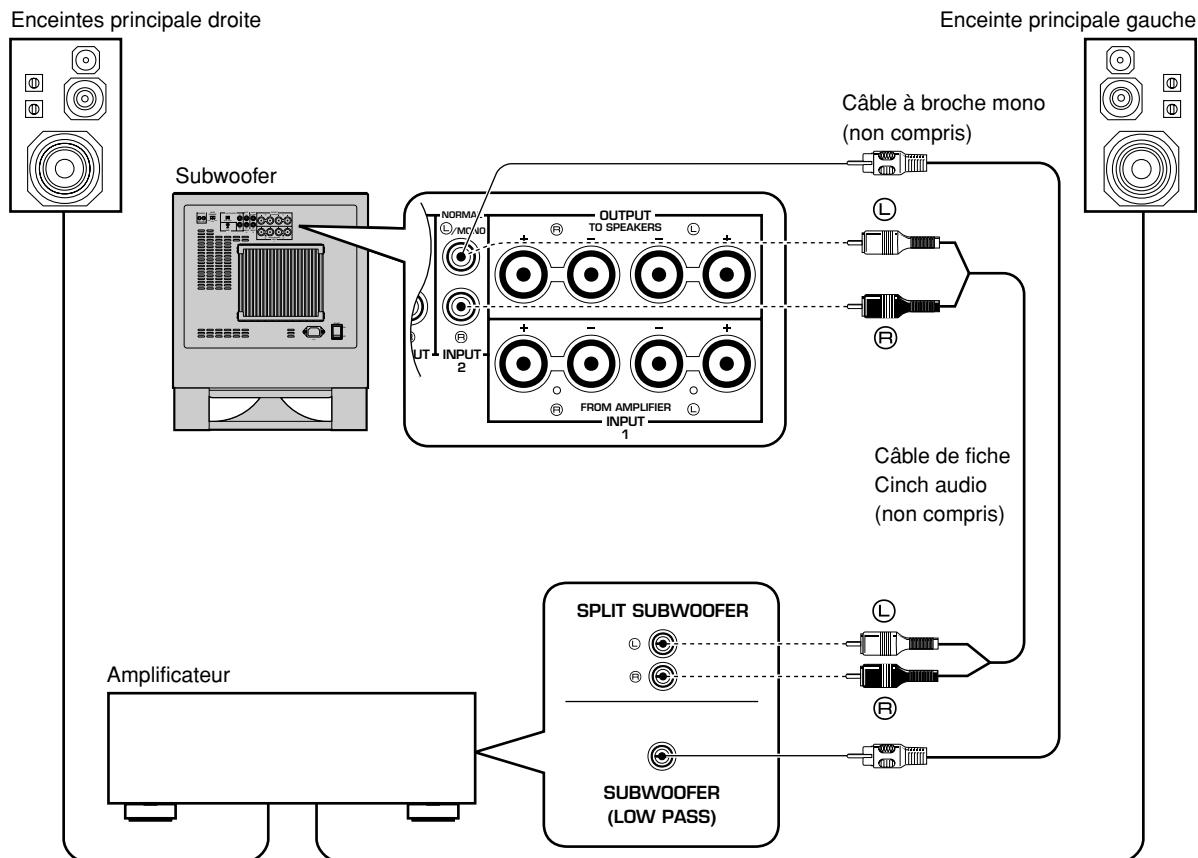
- Tous les branchements doivent être effectués correctement, c'est-à-dire entre "L" (gauche) et "L", entre "R" (droite) et "R", entre "+" et "+" et entre "-" et "-". Voir aussi le mode d'emploi de chacun des appareils.
- Le subwoofer peut être raccordé soit aux bornes de sortie de ligne (fiche Cinch) soit aux bornes de sortie d'enceintes de l'amplificateur. Choisir parmi les possibilités illustrées dans ce chapitre celle qui convient le mieux à votre chaîne. Voir aussi le mode d'emploi de l'appareil branché au subwoofer.  
Fondamentalement, raccorder le subwoofer à la (aux) borne(s) de sortie de ligne (fiche Cinch) de l'amplificateur. (Pour plus de détails, se reporter aux pages 4 et 5.) Si l'amplificateur n'est pas équipé d'une borne de sortie de ligne, raccorder le subwoofer aux bornes de sortie d'enceintes de l'amplificateur. (Pour plus de détails, se reporter aux pages 6 et 7.)

## Raccordement aux bornes de sortie de ligne (fiche Cinch) de l'amplificateur

Raccorder les enceintes principales aux bornes de sortie d'enceintes de l'amplificateur.

- Pour effectuer le raccordement à un amplificateur YAMAHA DSP (ou récepteur AV), raccorder la borne SUBWOOFER (ou LOW PASS, etc.) située à l'arrière de l'amplificateur DSP (ou récepteur AV) à la borne ◯/MONO INPUT2.
- Lorsqu'on raccorde le subwoofer aux bornes SPLIT SUBWOOFER à l'arrière de l'amplificateur DSP, veiller à raccorder la borne ◯/MONO INPUT2 au côté "L" et les bornes ⊕ INPUT2 au côté "R" des bornes SPLIT SUBWOOFER.

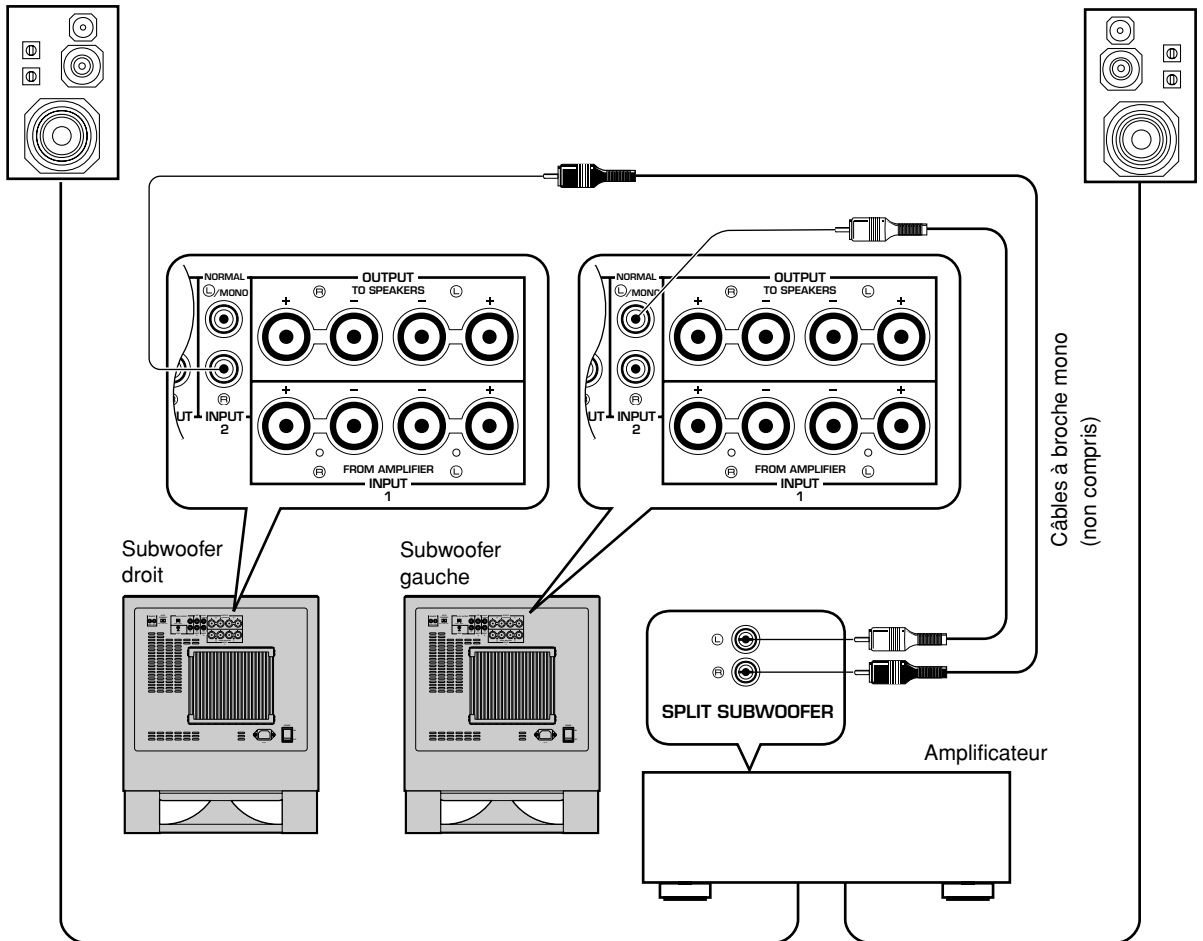
### ■ Utilisation d'un seul subwoofer



## ■ Utilisation de deux subwoofers

Enceinte principale droite

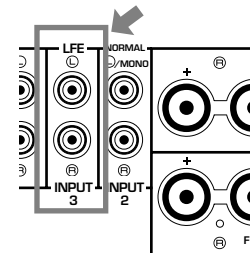
Enceinte principale gauche



Français

## ■ Branchement aux bornes LFE (INPUT3)

Si votre amplificateur peut couper les hautes fréquences du signal envoyé vers le subwoofer, branchez-le aux bornes LFE (INPUT3) du subwoofer. Ceci améliorera la qualité du son car le signal passera directement vers le subwoofer sans avoir à passer par le circuit HIGH CUT incorporé.



### Remarques

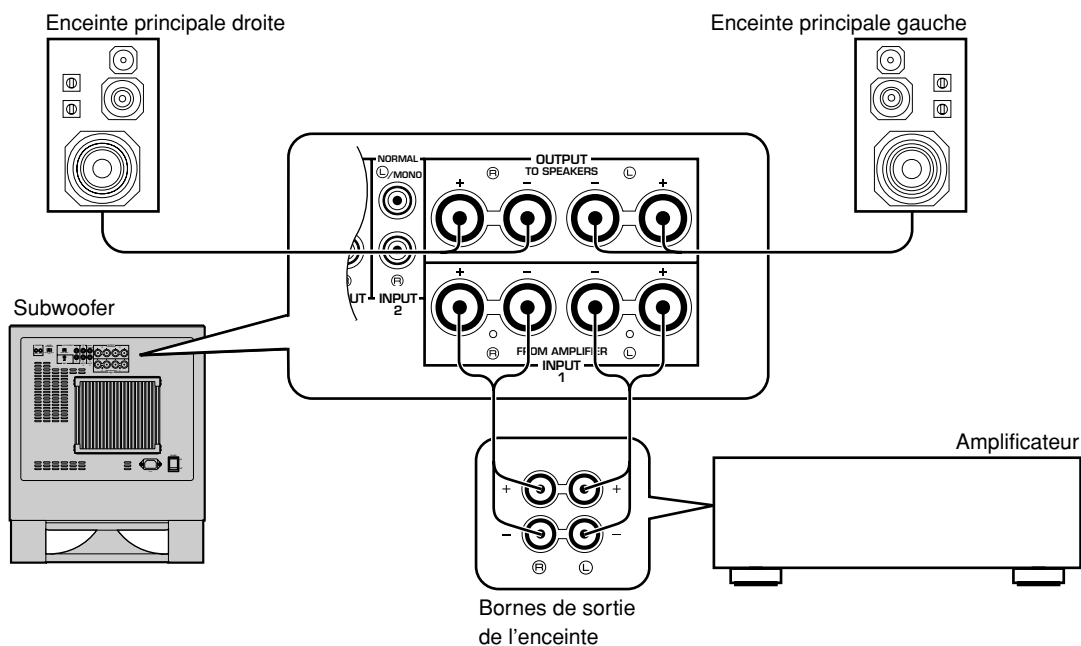
- Certains amplificateurs possèdent des bornes de sortie de ligne nommées PRE OUT. Lorsque l'on raccorde le subwoofer aux bornes PRE OUT de l'amplificateur, veiller à ce que l'amplificateur possède au moins deux jeux de bornes PRE OUT. Si l'amplificateur ne possède qu'un seul jeu de bornes PRE OUT, ne pas raccorder le subwoofer aux bornes PRE OUT. Raccorder plutôt le subwoofer aux bornes de sortie d'enceintes de l'amplificateur. (Se reporter aux pages 6 et 7.)
- Pour faire un raccordement à une borne de sortie de ligne mono de l'amplificateur, raccorder la borne L/MONO INPUT2 à cette borne.
- Lorsque l'appareil est raccordé aux bornes de sortie de ligne, aucune autre enceinte ne doit pas être raccordée aux bornes OUTPUT du panneau arrière du subwoofer. Cette enceinte ne produirait alors aucun son.

## Raccordement aux bornes de sortie d'enceinte de l'amplificateur

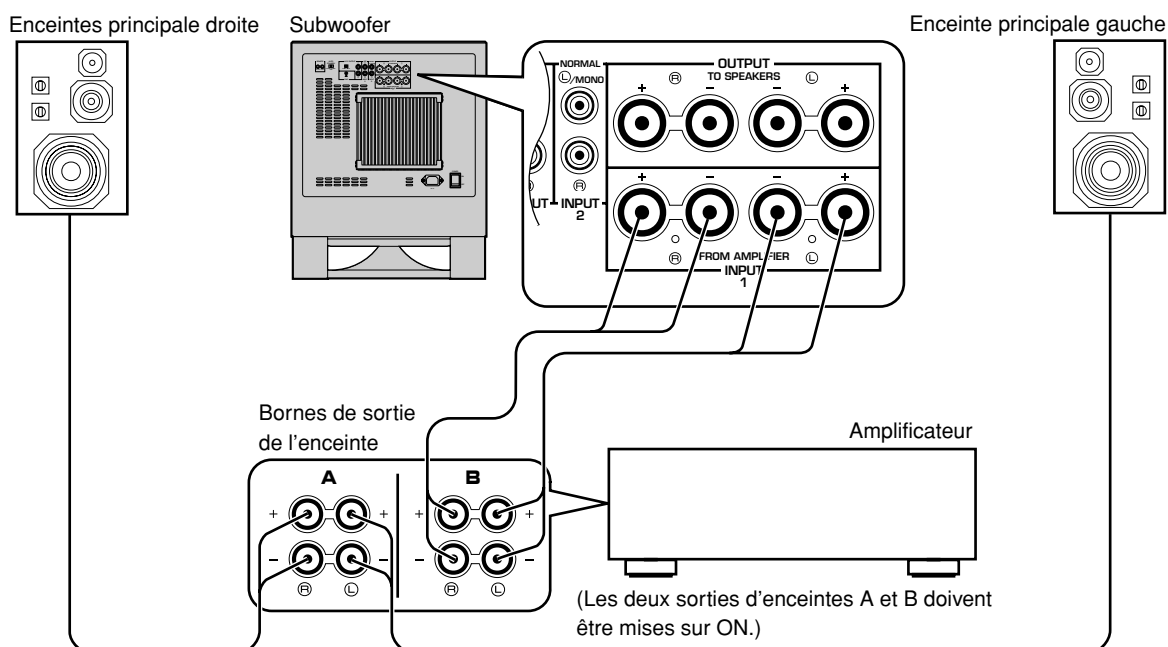
### ■ Utilisation d'un seul subwoofer

#### Si l'amplificateur n'est équipé que d'un seul jeu de bornes de sortie d'enceintes principales

Raccorder les bornes de sortie d'enceinte de l'amplificateur aux bornes INPUT1 du subwoofer, et raccorder les bornes OUTPUT du subwoofer aux enceintes principales.

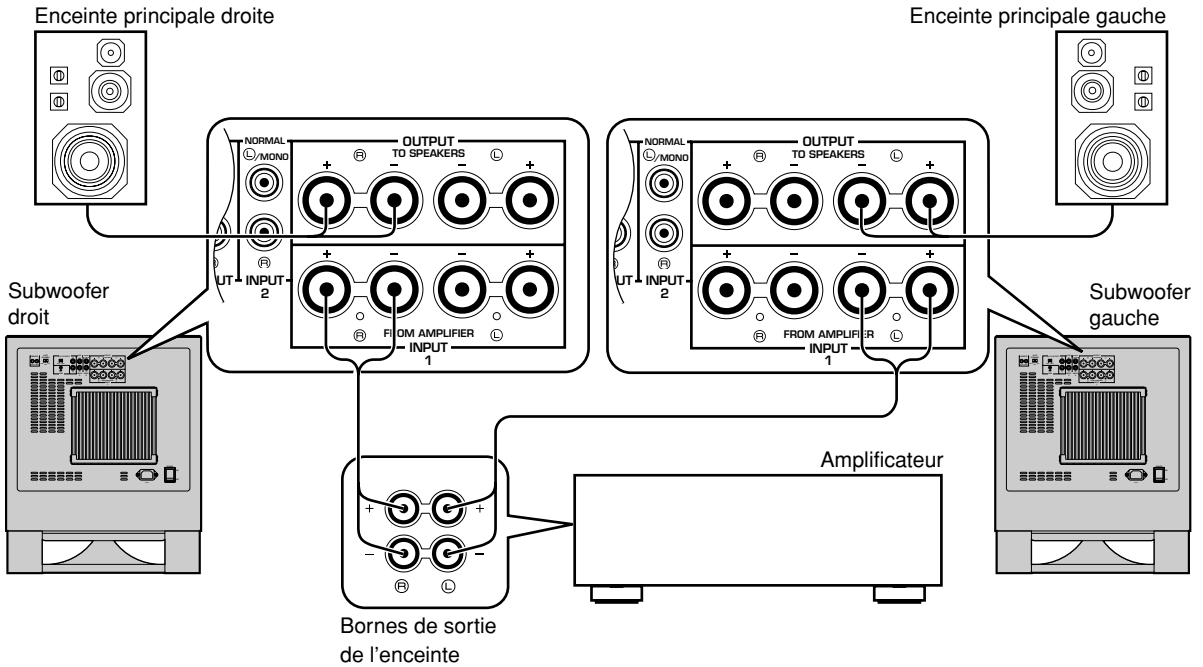


#### Si l'amplificateur est équipé de deux paires de bornes de sortie d'enceintes



## ■ Utilisation de deux subwoofers

Raccorder les bornes de sortie d'enceintes de l'amplificateur aux bornes INPUT1 du subwoofer, et raccorder les bornes OUTPUT du subwoofer aux enceintes principales.

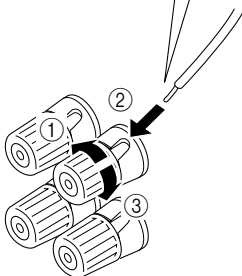
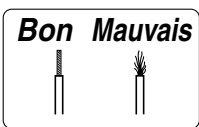


## Branchement aux bornes INPUT1/OUTPUT du subwoofer

Pour les raccordements, laisser les câbles d'enceintes aussi courts que possible. Ne pas plier ni enrouler la partie en excès des câbles. Si les connexions sont mal effectuées, aucun son ne saura émis par le subwoofer ou par les enceintes, ou par les deux. S'assurer que les marquages de polarité + et - des câbles d'enceinte sont respectés et placés correctement. Si ces câbles sont inversés, le son ne sera pas naturel et manquera de graves.

### Raccordement:

Rouge : positif (+)  
Noir : négatif (-)



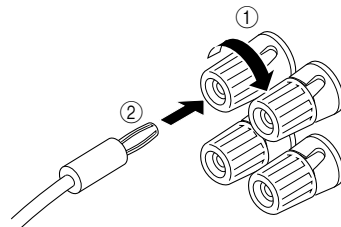
- ① Desserrer le bouton.
- ② Insérer le fil dénudé. [Retirer environ 10 mm d'isolant du cordon d'enceinte.]
- ③ Serrer le bouton et fixer le câbles.

### PRECAUTIONS D'USAGE :

**Veiller à ce que les fils dénudés ne se touchent pas car ceci pourrait abîmer le subwoofer, l'amplificateur ou les deux appareils.**

**<Uniquement pour les modèles pour les Etats-Unis, le Canada, l'Australie et la Corée>**

Les branchements avec fiche Cinch sont aussi possibles.



- ① Serrer le bouton de la borne.
- ② Insérer simplement la fiche Cinch dans la borne.

## Raccordement aux bornes H.P.F. OUTPUT

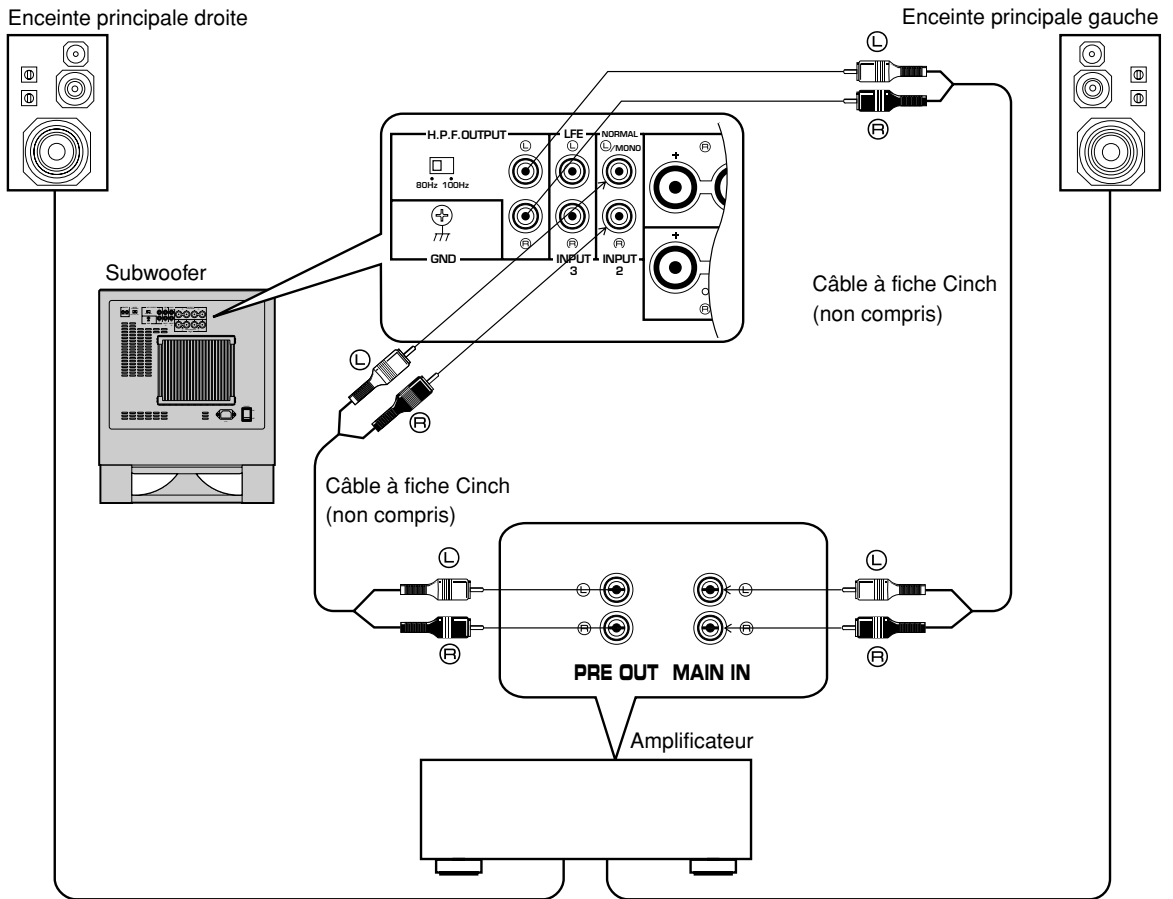
L'utilisation des bornes H.P.F. OUTPUT pour les branchements de l'amplificateur améliore la qualité du son de votre système d'enceintes.

Le H.P.F. (Filtre passe-haut) des bornes OUTPUT du subwoofer coupe les fréquences inférieures à une fréquence particulière du signal d'entrée, et laisse passer les hautes fréquences uniquement. En branchant cette borne aux bornes MAIN IN de l'amplificateur, les enceintes principales reproduiront uniquement les hautes fréquences.

Ceci améliorera la qualité du son en empêchant la mauvaise reproduction du son par les enceintes et le subwoofer.

\* Il est possible d'effectuer ce branchement si votre amplificateur dispose de bornes PRE OUT et MAIN IN, ou en cas d'utilisation d'amplificateurs séparés (pré-amplificateur et amplificateur principal).

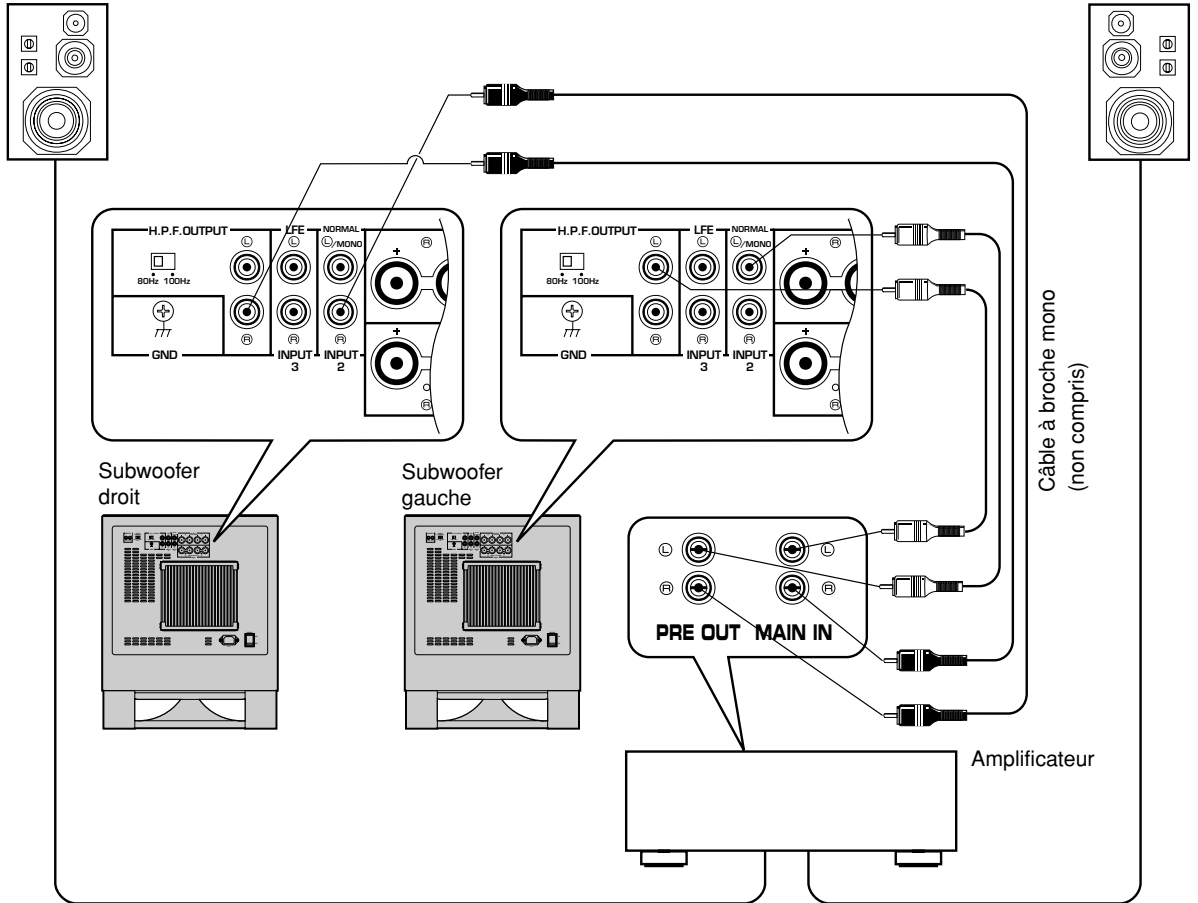
### ■ Branchement d'une seule unité



## ■ Branchement de deux unités

Enceinte principale droite

Enceinte principale gauche

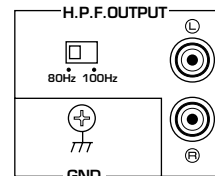


## Commutation du commutateur H.P.F. OUTPUT

Après avoir effectué le branchement, sélectionner la fréquence désirée (80 Hz ou 100 Hz) à l'aide du commutateur **H.P.F. OUTPUT**.

(Il est général préférable de sélectionner la fréquence la plus proche de la fréquence la plus basse pouvant être reproduite par les enceintes.)

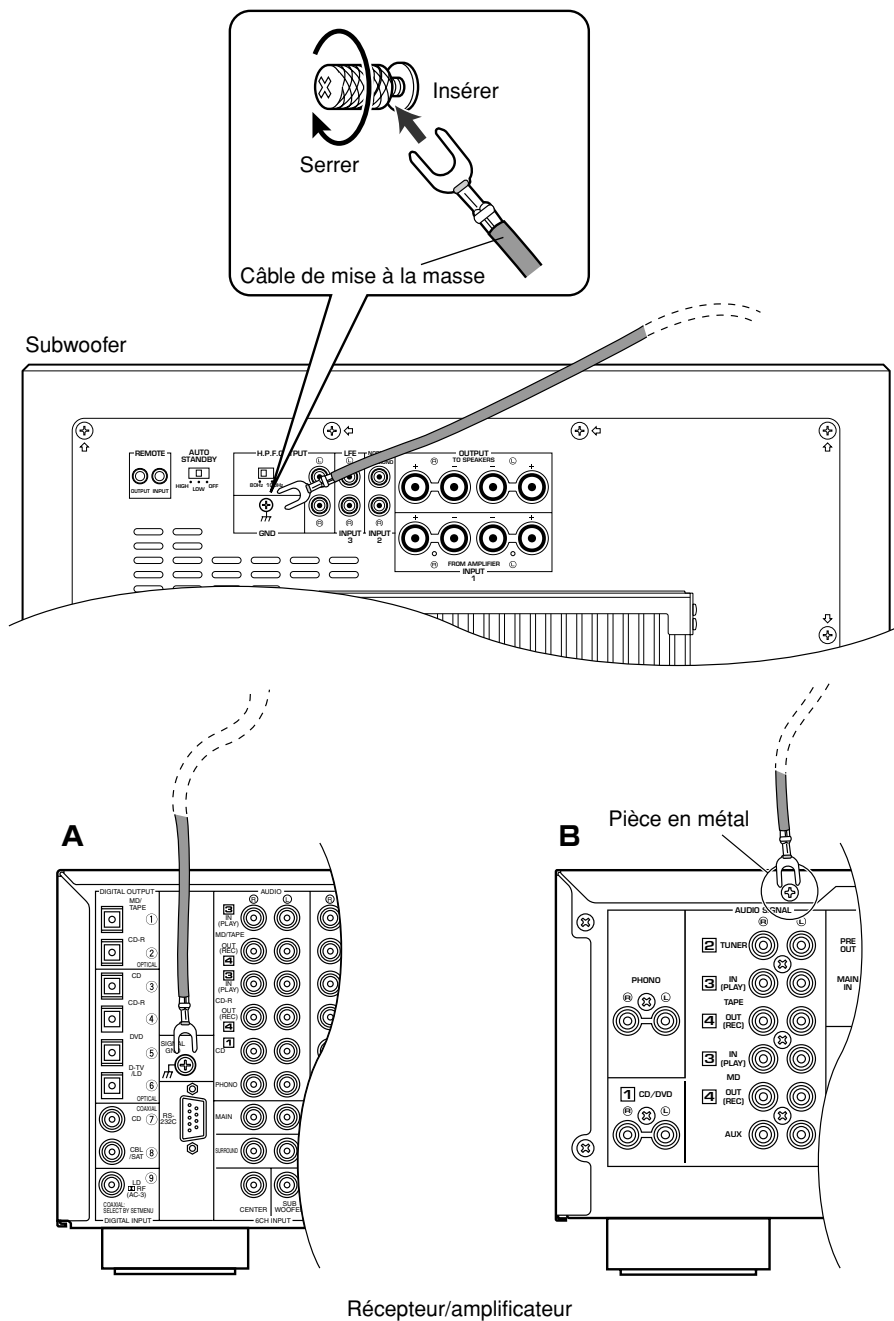
Les fréquences supérieures à la fréquence sélectionnée seront émises par les bornes **H.P.F. OUTPUT**.



## Mise à la masse

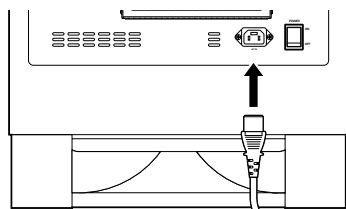
Si un bourdonnement se fait entendre et que le subwoofer est branché sur les bornes des enceintes, connecter le subwoofer et le récepteur/amplificateur avec le câble de mise à la masse comme indiqué sur la figure A.

\* Si le récepteur/amplificateur ne dispose pas de borne de mise à la masse (GND), connecter le câble à la vis qui fixe le couvercle du récepteur/amplificateur au panneau arrière comme indiqué sur la figure B.

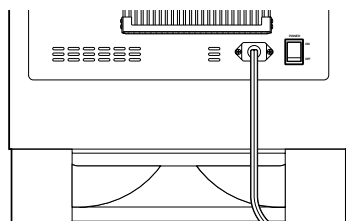




## Raccordement du cordon CA



(Modèle pour les Etats-Unis) → Vers une prise CA



(Modèle pour le Royaume-Uni) → Vers une prise CA

### <Pour les modèles pour les Etats-Unis, le Canada, l'Europe et la Corée>

Après avoir effectué toutes les connexions, brancher le cordon CA dans la prise AC IN du subwoofer, puis brancher la fiche du cordon d'alimentation dans la prise murale.

#### Remarques

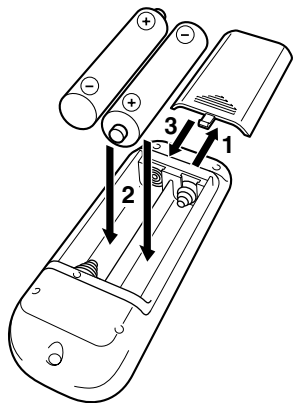
- Ne jamais brancher un cordon d'alimentation autre que celui fourni avec le subwoofer. Dans le cas contraire, ceci pourrait entraîner un incendie ou un choc électrique.
- Ne pas brancher le cordon d'alimentation fourni sur un autre appareil que ce subwoofer.

### <Pour les modèles pour le Royaume-Uni et l'Australie>

Brancher le subwoofer dans la prise murale.

## REMARQUES A PROPOS DE LA TELECOMMANDE

### Installation des piles



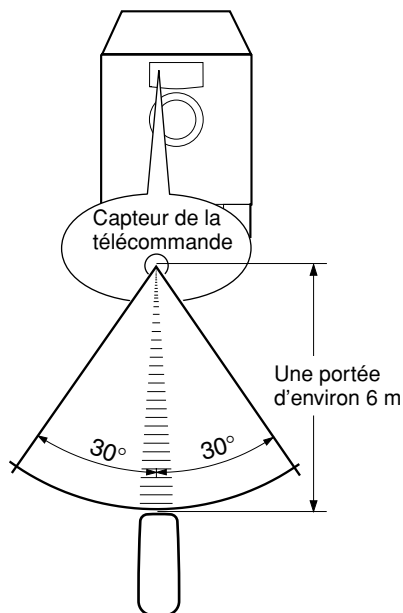
### Remplacement des piles

Lorsque la télécommande doit être placée plus près que d'habitude de l'unité principale pour fonctionner, cela veut dire que les piles sont épuisées. Remplacer les deux piles par des nouvelles.

#### Remarques

- Utiliser uniquement des piles AA, R6, UM-3.
- Tenir bien en compte la polarité des piles. (Regarder l'illustration à l'intérieur du compartiment des piles.)
- Retirer les piles de la télécommande si elle ne va pas être utilisée pendant une longue période.
- Si le liquide des piles fuit, en disposer immédiatement. Faites attention à ne pas toucher le liquide des piles ou à ne pas le laisser en contact avec vos habits, etc. Bien nettoyer le compartiment des piles avant d'en installer de nouvelles.

### Portée de la télécommande

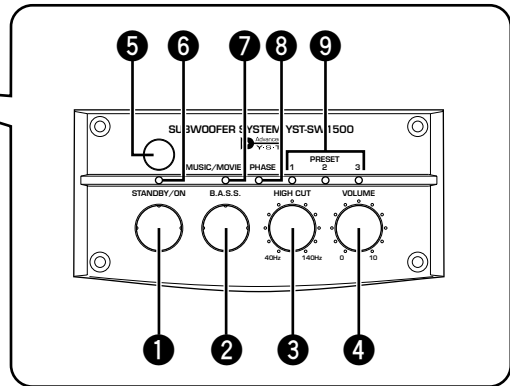
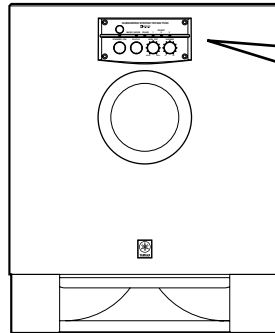


#### Remarques

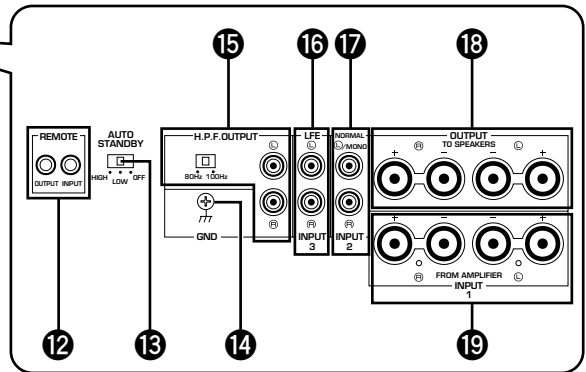
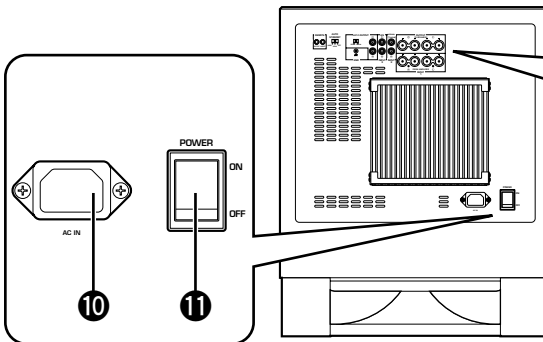
- Aucun obstacle de taille importante ne devrait se trouver entre la télécommande et l'unité principale.
- Si le capteur de la télécommande est directement illuminé par une source de lumière intense (notamment les tubes à néon etc.), la télécommande risque de mal fonctionner. Repositionner dans ce cas l'unité principale de façon à éviter une exposition directe du capteur à la lumière.

# LES COMMANDES ET LEURS FONCTIONS

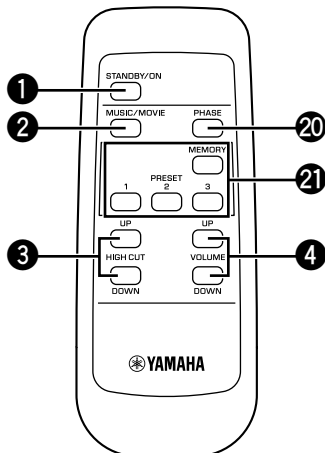
## Panneau avant



## Panneau arrière



## Télécommande



- 1** Touche **STANDBY/ON**  
Appuyer sur cette touche pour allumer l'appareil.  
Appuyer à nouveau pour mettre le subwoofer en mode veille.  
\* Cette touche peut être utilisée uniquement lorsque le commutateur **POWER** (11) est placé en position ON.

### Mode veille (Standby)

Le subwoofer consomme encore un peu de courant dans ce mode.

- 2** Commutateur **B.A.S.S.**  
Touche **MUSIC/MOVIE**  
Si vous appuyez sur ce commutateur, les sons graves des programmes vidéo seront fidèlement reproduits, car ceci sélectionnera le mode MOVIE. Si vous appuyez sur ce commutateur, les sons graves des programmes audio seront fidèlement reproduits, car sélectionnera le mode MUSIC.
- 3** Commande **HIGH CUT**  
Touches **HIGH CUT UP/DOWN**  
Sélectionnez la limite supérieure des fréquences devant être reproduites par ce subwoofer.  
Placer une pièce de monnaie, etc. dans la rainure sur la commande, puis la faire tourner pour régler la commande sur le panneau avant.

- 4** Commande **VOLUME**  
Touches **VOLUME UP/DOWN**  
Elles servent à régler le niveau de volume. Faire tourner la commande dans le sens des aiguilles d'une montre ou appuyer sur la touche **UP** pour augmenter le volume. Faire tourner la commande dans le sens contraire des aiguilles d'une montre ou appuyer sur la touche **DOWN** pour baisser le volume.  
Placer une pièce de monnaie, etc. dans la rainure sur la commande, puis la faire tourner pour régler la commande sur le panneau avant.
- 5** Capteur de télécommande  
Capte le signal de la télécommande.
- 6** Témoin d'alimentation (LED)  
S'allume en vert lorsque le subwoofer est allumé.  
Le témoin d'alimentation s'allume en rouge lorsque le subwoofer passe en mode de veille par la fonction de commutation d'alimentation automatique.
- 7** Témoin **MUSIC/MOVIE** (LED)  
S'allume en rouge lorsque le mode MUSIC est sélectionné, et en vert lorsque le mode MOVIE est sélectionné.
- 8** Témoin **PHASE** (LED)  
S'allume en rouge lorsque la touche **PHASE** (Ⓢ) est réglé en mode normal, et en vert lorsqu'il est réglé en mode inverse.
- 9** Témoins **PRESET 1/2/3** (LED)  
Indique quel numéro PRESET (1, 2 ou 3) a été sélectionné. (Si le subwoofer passe en mode de veille alors qu'un de ces témoins est allumé, aucun témoin ne s'allumera la prochaine fois que le subwoofer s'allumera.)
- 10** **AC IN <Modèles pour les Etats-Unis, le Canada, l'Europe et la Corée seulement>**  
Brancher le cordon d'alimentation fourni dans cette prise. Ne jamais brancher un cordon autre que celui fourni dans cette prise. Ne jamais brancher le cordon d'alimentation à un autre appareil.
- 11** Commutateur **POWER**  
Normalement, cet interrupteur est sur la position ON pour mettre le subwoofer sous tension. Dans cet état, le subwoofer peut être mis sous tension ou mis en mode veille en appuyant sur la touche **STANDBY/ON** (Ⓛ). Placer cet interrupteur en position OFF pour couper complètement l'alimentation du subwoofer de la ligne secteur.
- 12** Bornes **REMOTE**  
Ces bornes sont destinées à une installation personnalisée de votre système. Si le subwoofer est branché aux autres composants d'une façon particulière, il est possible de commander le subwoofer depuis la télécommande du système.
- 13** Commutateur **AUTO STANDBY (HIGH/LOW/OFF)**  
Cet interrupteur est mis sur la position OFF initialement. En réglant ce commutateur en position HIGH ou LOW, la fonction de commutation automatique d'alimentation fonctionne de la façon décrite à la page 14. Si cette fonction n'est pas nécessaire, il est préférable de laisser ce commutateur en position OFF.
- 14** Borne **GND**  
Le branchement de cette borne à la borne de mise à la masse (GND) du récepteur/amplificateur peut servir à réduire les perturbations indésirables. (Voir page 10.)
- 15** Commutateur **H.P.F. (Filtre passe-haut) OUTPUT**  
Sélectionne la limite supérieure des fréquences devant être filtrées des signaux générés aux bornes H.P.F. OUTPUT. Utiliser ce commutateur uniquement si les bornes H.P.F. OUTPUT sont connectées à l'amplificateur.  
(Voir page 8 pour plus de détails)  
  
Bornes de sortie du **H.P.F. OUTPUT**  
Les fréquences inférieures à celle sélectionnée au niveau du commutateur du filtre H.P.F. OUTPUT seront filtrées du signal en entrée au niveau des bornes, et seules les fréquences supérieures passeront.
- 16** Bornes **INPUT3 (LFE)**  
La commande **HIGH CUT** (Ⓢ) n'a aucun effet sur le signal en entrée de ces bornes. (Voir page 5 pour plus de détails.)
- 17** Bornes **INPUT2**  
Elles servent à entrer les signaux du niveau de ligne provenant de l'amplificateur.  
(Se référer à la section "**RACCORDEMENTS**" pour les détails.)
- 18** Bornes **OUTPUT (TO SPEAKERS)**  
Elles peuvent servir à raccorder les enceintes principales. Les signaux sont envoyés directement de l'amplificateur aux enceintes principales par ces bornes. (Se référer à la section "**RACCORDEMENTS**" pour les détails.)
- 19** Bornes **INPUT1 (FROM AMPLIFIER)**  
Elles servent à raccorder le subwoofer aux bornes d'enceinte de l'amplificateur.  
(Se référer à la section "**RACCORDEMENTS**" pour les détails.)
- 20** Touche **PHASE**  
Dans la majorité des cas, il est préférable de sélectionner le mode inverse. Cependant, selon les enceintes utilisées ou les conditions d'écoute, une meilleure qualité sonore pourra être obtenue dans certains cas en sélectionnant le mode normal. Faire des essais de son pour sélectionner le meilleur mode. En mode inverse, le témoin PHASE sur le panneau avant s'allume en vert, et il s'allume en rouge en mode normal.
- 21** Touche **MEMORY**/touches **PRESET**  
S'utilisent pour mettre en mémoire et rappeler des données de réglage des commandes **B.A.S.S.** [**MUSIC/MOVIE**] (Ⓢ), **VOLUME** [**VOLUME UP/DOWN**] (Ⓛ), **HIGH CUT** [**HIGH CUT UP/DOWN**] (Ⓢ) et **PHASE** (Ⓢ). (Voir page 16.)

# FONCTION DE COMMUTATION DE L'ALIMENTATION AUTOMATIQUE

Si la source en cours de lecture est arrêtée ou si le signal d'entrée est coupé pendant 7 à 8 minutes, le subwoofer passe automatiquement en mode veille. (En commutant le subwoofer en mode de veille par la fonction de commutation d'alimentation automatique, le témoin d'alimentation s'allume en rouge.)

Lors de la lecture d'une autre source, le subwoofer se met automatiquement sous tension en détectant les signaux audio envoyés vers le subwoofer.

Cette fonction s'activera en détectant un certain niveau du signal d'entrée de basses fréquences. Normalement, régler le commutateur **AUTO STANDBY** sur la position LOW.

Cependant, si le subwoofer ne se met pas sous tension (ON) et en veille (STANDBY) correctement, régler le commutateur sur la position HIGH. En position HIGH, l'alimentation électrique sera établie même avec un bas niveau de signal d'entrée. Toutefois, bien noter qu'il est possible que le subwoofer ne passe pas au mode veille lorsqu'un signal d'entrée extrêmement bas est reçu.

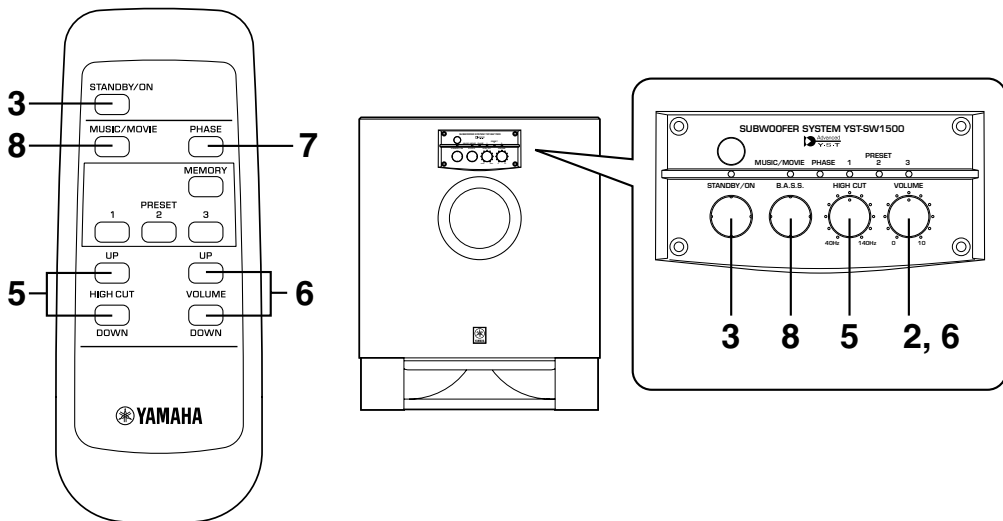
- \* Il se peut que l'alimentation électrique s'établisse de manière inattendue si du bruit provenant d'autres appareils est détecté. Si cela se produit, mettre le commutateur **AUTO STANDBY** sur la position OFF.
- \* Cette fonction détecte les composantes de basses fréquences inférieures à 200 Hz des signaux d'entrée (par exemple une explosion dans un film d'action, les sons d'une basse ou d'une grosse caisse, etc.)
- \* Il est possible que le nombre de minutes nécessaires au passage du subwoofer en mode veille diffère si du bruit provenant d'autres appareils est détecté.

**Cette fonction est utilisable seulement lorsque le subwoofer est sous tension (en plaçant la touche STANDBY/ON sur "ON").**

**Cette fonction ne marchera pas si le subwoofer est mis en mode de veille en utilisant la touche STANDBY/ON. (Le témoin d'alimentation sur le panneau avant s'éteint.)**

# REGLAGE DU SUBWOOFER AVANT L'UTILISATION

Avant d'utiliser le subwoofer, régler celui-ci pour obtenir l'équilibre de volume et de tonalité optimum entre le subwoofer et les enceintes principales en suivant les procédures indiquées ci-dessous.



- 1 Régler le niveau du volume sur l'amplificateur au minimum et allumer l'amplificateur et les autres composants.
- 2 Tourner la commande de **VOLUME** pour régler la commande au minimum (0).
- 3 S'assurer que le commutateur **POWER** situé sur le panneau arrière est dans la position **ON**, puis appuyer sur la touche **STANDBY/ON** pour allumer le subwoofer.

\* Le témoin d'alimentation s'allume en vert.

- 4 Entamer la lecture d'une source contenant des basses fréquences, puis ajuster la commande de volume de l'amplificateur au niveau d'écoute désiré.
- 5 Faites tourner la commande **HIGH CUT** (ou appuyer sur les touches **HIGH CUT UP/DOWN** sur la télécommande) pour la régler de façon à obtenir la réponse en fréquence désirée.

Ordinairement, régler la commande sur la fréquence nominale la plus petite\* qui peut être reproduite par les enceintes principales.

\* La fréquence nominale la plus petite des enceintes principales est indiquée dans le catalogue ou le mode d'emploi des enceintes.

- 6 Augmenter progressivement le volume afin de régler l'équilibre de volume entre le subwoofer et les enceintes principales.

Ordinairement, régler la commande au niveau où vous obtenez un peu plus d'effet de basse que lorsque ce subwoofer n'est pas utilisé. Si la réponse souhaitée ne peut pas être obtenue, régler à nouveau la commande **HIGH CUT** et la commande **VOLUME**.

- 7 Appuyer sur la touche **PHASE** pour sélectionner le meilleur son de basses entre le mode normal ou le mode inverse.

Ordinairement, sélectionner le mode inverse (de façon à ce que le témoin **PHASE** sur le panneau avant s'allume en vert). Si la réponse désirée ne peut pas être obtenue, sélectionner le mode normal (de façon à ce que le témoin **PHASE** s'allume en rouge).

- 8 Sélectionner "MOVIE" ou "MUSIC" en fonction de la source lue.

**MOVIE** (lorsque le témoin **MUSIC/MOVIE** sur le panneau avant s'allume en vert) :

Lorsqu'une source de type film est lue, les effets de basses fréquences sont améliorés de façon à renforcer l'impression de puissance du son. (Le son sera plus riche et profond.)

**MUSIC** (lorsque le témoin **MUSIC/MOVIE** sur le panneau avant s'allume en rouge) :

Lorsqu'une source musicale de type ordinaire est lue, les composants de basses fréquences excessifs sont coupés de façon à rendre le son plus clair. (Le son sera plus clair et la mélodie sera plus fidèle à l'original.)

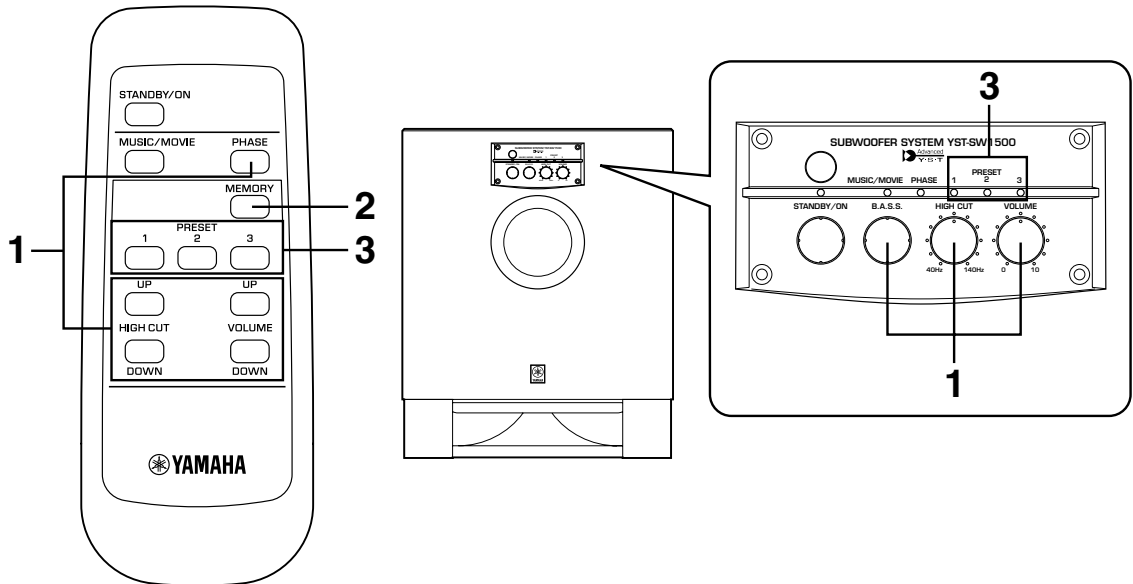
- Une fois le réglage de l'équilibre de volume entre le subwoofer et les enceintes principales accompli, il est possible de régler le son global de la chaîne en utilisant la commande de volume de l'amplificateur.

Toutefois, si l'on met d'autres enceintes à la place des enceintes principales, il faut refaire ce réglage.

- En ce qui concerne le réglage de la commande **VOLUME**, de la commande **HIGH CUT** et de la touche **PHASE**, se reporter à la section "Caractéristiques de fréquence" à la page 17.

## Mise en mémoire des données pré-réglées de la commande de VOLUME etc.

Il est possible de mémoriser des pré-réglages de la commande **VOLUME**, de la commande **HIGH CUT**, de la touche **PHASE** et du commutateur **B.A.S.S.** tous ensemble. Chacune des trois touches **PRESET** sur la télécommande sert à mémoriser (et à rappeler) un groupe de données. Cette fonction vous permet de réactiver facilement et rapidement des pré-réglages en fonction de la source.



### ■ Mise en mémoire

- 1 Effectuer le réglage de la commande **VOLUME**, de la commande **HIGH CUT**, de la touche **PHASE** et du commutateur **B.A.S.S.**.
- 2 Appuyer sur la touche **MEMORY**. Les indicateurs lumineux de numéros **PRESET** sur le panneau avant clignoteront.
- 3 Appuyer sur la touche **PRESET 1**. L'indicateur lumineux **PRESET** correspondant s'allumera. Ceci veut dire que le réglage a été mis en mémoire dans le **PRESET 1**.

\* Régler de la même façon les données pour les **PRESET 2** et **3**.

\* Les réglages par défaut pour ce subwoofer de chaque touche **PRESET** conviennent aux systèmes d'enceintes Yamaha suivants.

**PRESET 1** : NS-8HX, NS-6HX

**PRESET 2** : NS-4HX

**PRESET 3** : NS-2HX

### Remarques

- Il est possible de remplacer un réglage par un nouveau.
- Si la commande **VOLUME** ou la commande **HIGH CUT** est en train de tourner suite à une pression sur une des touches **PRESET**, le fait d'appuyer sur une autre touche **PRESET** sera sans effets.

### Sauvegarde de la mémoire

Le circuit de sauvegarde de la mémoire empêche les données enregistrées en mémoire d'être accidentellement perdues si on éteint l'unité en appuyant sur le commutateur **POWER** ou si le cordon d'alimentation est débranché de la prise CA ou en cas de coupure d'électricité due à une coupure de courant accidentelle. Cependant, si la courant est coupé pendant plus d'une semaine, le contenu de la mémoire sera effacé. Dans ce cas, il est possible de réactiver ces données en suivant la procédure ci-dessus.

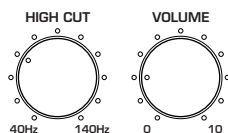
# Caractéristiques de fréquence

## Caractéristiques de fréquence du subwoofer

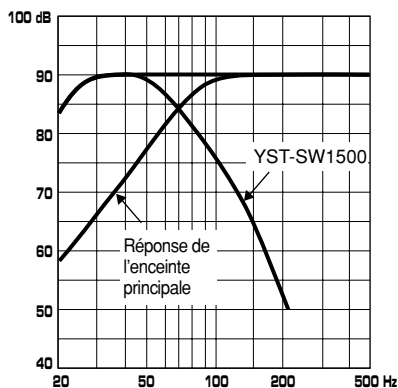


Les chiffres ci-dessous montrent le réglage optimal de chaque commande et les caractéristiques des fréquences lorsque ce subwoofer est associé à des enceintes principales classiques.

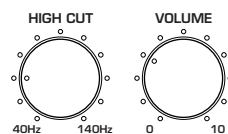
### EX.1 En combinaison avec des enceintes principales à deux voies, à suspension acoustique de 10 cm ou 13 cm



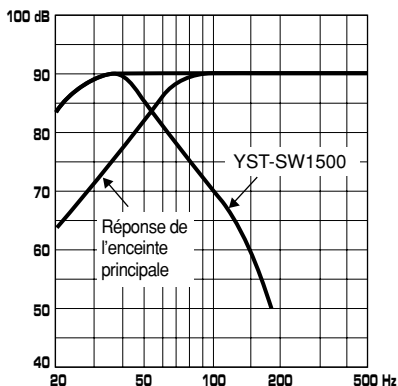
**PHASE** – Mettre sur le mode phase inverse.  
**B.A.S.S.–MOVIE**



### EX.2 En combinaison avec des enceintes principales à deux voies, à suspension acoustique de 20 cm ou 25 cm



**PHASE** – Mettre sur le mode phase inverse.  
**B.A.S.S.–MOVIE**



# ADVANCED YAMAHA ACTIVE SERVO TECHNOLOGY

La théorie de l'Active Servo Technology Yamaha repose sur deux principes: cavité résonnante de Helmholtz et circuit d'attaque d'amplificateur à impédance négative. Des enceintes à Active Servo Processing actif reproduit les basses fréquences à travers un "woofer à air" qui est un événement pratiqué sur la face avant de l'enceinte. Cet événement simule le fonctionnement – et est utilisé à la place – de l'enceinte électrodynamique spécial pour basses que l'on trouve dans une enceinte conventionnelle. Suivant la théorie de la cavité résonnante de Helmholtz, de petites oscillations à l'intérieur de la cavité donnent lieu à des oscillations de grandes amplitudes à la sortie de l'événement, si toutefois la taille de l'événement et le volume de la cavité l'enceinte sont correctement proportionnés selon un certain taux. Les oscillations de l'air contenu dans la cavité doivent de plus satisfaire à des conditions précises et être d'amplitude suffisante pour vaincre l'inertie de la masse d'air de l'enceinte.

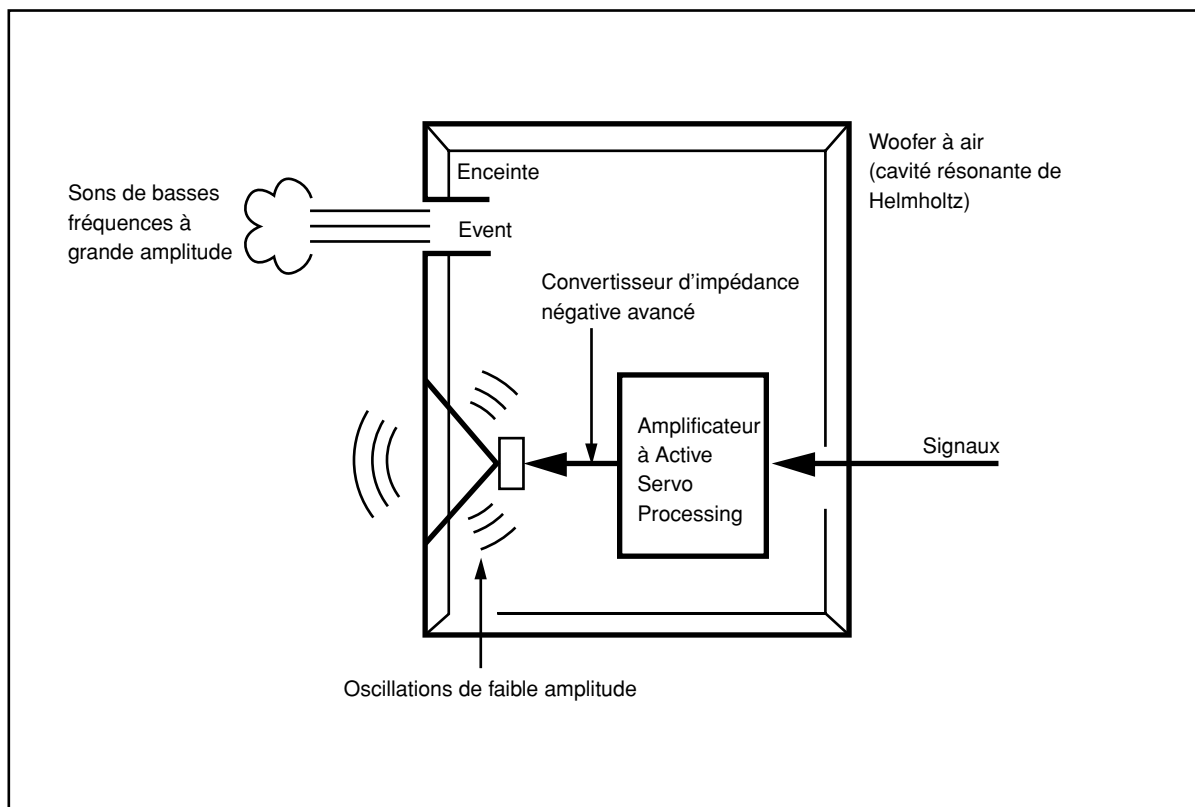
Ce problème est résolu électroniquement grâce à un amplificateur de conception nouvelle qui fournit des signaux spéciaux. Si la résistance électrique de la bobine de l'enceinte pouvait être réduite à zéro, le cône de l'enceinte répondrait de façon linéaire aux variations de voltage du signal. Ceci peut être simulé grâce à un circuit d'attaque à

impédance négative qui soustrait l'impédance de l'enceinte de l'impédance de sortie de l'amplificateur.

Le circuit d'attaque à impédance négative délivre de façon précise le signal basses fréquences à faible amplitude et à facteur d'amortissement supérieur. Ces oscillations importantes sont ensuite émises à la sortie de l'événement. Ce système qui combine un circuit d'attaque à impédance négative et une cavité résonnante de Helmholtz reproduit le son sur une plage de fréquences ultra-large avec une fidélité surprenante et moins de distorsion.

Les caractéristiques décrites ci-dessus constituent ce que nous appelons ici l'Active Servo Technology classique.

Notre nouvelle Active Servo Technology – Advanced Yamaha Active Servo Technology – a adopté les circuits ANIC (Advanced Negative Impedance Converter) qui permet au convertisseur d'impédance négative classique de s'adapter de manière dynamique à la valeur optimale de la variation d'impédance de l'enceinte. Avec ces nouveaux circuits ANIC, la Advanced Yamaha Active Servo Technology peut atteindre des performances plus stables et améliorer la pression sonore par rapport à l'Active Servo Technology classique de Yamaha. Le résultat en est une restitution plus naturelle et dynamique des basses fréquences.





# EN CAS DE DIFFICULTES

Se reporter au tableau ci-dessous lorsque l'appareil ne fonctionne pas correctement. Si le problème rencontré n'est pas décrit ci-dessous ou si les instructions données ne suffisent pas à le résoudre, débrancher le cordon d'alimentation et s'adresser à son concessionnaire ou son centre de service YAMAHA.

Problème	Cause	Marche à suivre
<b>Il n'a pas d'alimentation électrique, bien que la touche STANDBY/ON soit sur la position ON.</b>	Le câble d'alimentation secteur n'est pas branché ou le commutateur POWER est réglé sur la position OFF.	Enfoncer fermement le câble d'alimentation à la fois dans la prise AC IN du subwoofer et dans la prise du secteur CA ou placer le commutateur POWER en position ON.
<b>Pas de son.</b>	Le volume est réglé au minimum.	Augmenter le volume.
	Les câbles d'enceintes ne sont pas fermement raccordés.	Les raccorder fermement.
<b>Le niveau sonore est trop bas.</b>	Les câbles d'enceintes ne sont pas correctement raccordés.	Les raccorder correctement, c'est à dire de L (gauche) à L, de R (droite) à R, de "+" à "+", et de "-" à "-".
	Le réglage de la PHASE est incorrect.	Régler la PHASE sur un autre mode.
	Le son de source contient peu de sons graves.	Faire la lecture d'un son de source contenant des graves. Mettre la commande HIGH CUT sur une position plus haute.
	Les ondes sonores renvoyées par les murs s'annulent.	Changer la position du subwoofer ou modifier le parallélisme des surfaces murales en plaçant des étagères etc. le long des murs.
<b>Le subwoofer n'est pas mis sous tension automatiquement.</b>	Le commutateur POWER est mis sur la position OFF.	Mettre le commutateur POWER sur la position ON.
	Le subwoofer est réglé en mode de veille en appuyant sur la touche STANDBY/ON. (Le témoin d'alimentation n'est pas allumé.)	Appuyer une autre fois sur la touche STANDBY/ON pour mettre le subwoofer sous tension.
	Le commutateur AUTO STANDBY est mis sur la position OFF.	Mettre le commutateur AUTO STANDBY sur la position "HIGH" ou "LOW".
	Le niveau du signal d'entrée est trop bas.	Mettre le commutateur AUTO STANDBY sur la position "HIGH".
<b>Le subwoofer est mis sous tension de manière inattendue.</b>	Le niveau du signal d'entrée est trop bas.	Mettre le commutateur AUTO STANDBY sur la position "HIGH".
<b>Le subwoofer est mis en mode veille de manière inattendue.</b>	L'enclenchement est dû à du bruit produit par des appareils extérieurs, etc.	Eloigner le subwoofer de ces appareils et/ou repositionner les câbles des enceintes raccordées. Ou encore, mettre le commutateur AUTO STANDBY sur la position "OFF".
<b>Le disjoncteur du foyer disjoncte.</b>	Le subwoofer consomme beaucoup d'électricité lorsqu'un signal de haut niveau est entré dans l'appareil.	Baisser le volume de l'amplificateur, etc. raccordé à ce subwoofer ou mettre l'alimentation des autres appareils inutilisés hors tension.
<b>La télécommande ne fonctionne pas.</b>	Le capteur de la télécommande de l'unité principale est soumis à une illumination intense du soleil ou d'une autre source d'éclairage (comme, par exemple, une lampe fluorescente, etc.).	Changer l'emplacement de l'unité principale.
<b>La distance ou la portée effective de la télécommande diminue.</b>	Les piles de la télécommande sont trop faibles.	Remplacer les piles par des nouvelles.

## Remarque

**Si un signal de niveau excessivement fort est entré dans le subwoofer pendant 5 à 15 minutes, le témoin d'alimentation commencera à clignoter pour vous avertir du risque d'endommagement de l'amplificateur et des enceintes du système du subwoofer. Si le signal dure pendant plus de 5 minutes supplémentaires, le subwoofer passe automatiquement en mode de veille.**

# CARACTERISTIQUES TECHNIQUES

---

**Type** ..... Advanced Yamaha Active Servo Technology

**Pilote** ..... Enceinte grave en cône de 30 cm  
Type à blindage magnétique

**Sortie de l'amplificateur** ..... 1 kW/5Ω

**Réponse en fréquence** ..... 16 Hz–160 Hz (–10 dB)

## Alimentation

### Modèles pour les Etats-Unis et le Canada

..... CA 120V, 60 Hz

### Modèles pour le Royaume-Uni et l'Europe

..... CA 230V, 50 Hz

**Modèle pour l'Australie** ..... CA 240V, 50 Hz

**Modèle pour la Corée** ..... CA 220V, 50 Hz

**Consommation** ..... 250W

**Consommation en veille** ..... 1,0W

**Dimensions (L x H x P)** ..... 420 mm x 511 mm x 448 mm

**Poids** ..... 29 kg

\* Noter que toutes les caractéristiques techniques sont modifiables sans préavis.

## ZUR BEACHTUNG: Bitte lesen Sie diese Bedienungsanleitung vor Inbetriebnahme des Gerätes.

Bitte lesen Sie sich folgende Punkte vor dem Einsatz Ihrer Boxen durch. YAMAHA kann nicht für etwaige Schäden und/oder Verletzungen haftbar gemacht werden, die aus der Nichtbeachtung der folgenden Sicherheitshinweise resultieren.

- Bitte lesen Sie diese Bedienungsanleitung sorgfältig durch, um sich gründlich mit dem Gerät vertraut zu machen. Heben Sie die Bedienungsanleitung auf, um auch später noch nachschlagen zu können.
- Die Einheit an einem kühlen, trockenen und sauberen Platz aufstellen – entfernt von Fenstern, Wärmequellen, Erschütterungen, Staub, Feuchtigkeit und Kälte. Entfernt von elektrischen Störquellen (Transformatoren, Motoren) aufstellen. Die Einheit darf keinem Regen oder Feuchtigkeit ausgesetzt werden, um elektrische Schläge und Feuer zu vermeiden.
- Niemals das Gehäuse öffnen. Wenden Sie sich an Ihren Fachhändler, wenn Gegenstände in das Gerät eingedrungen sind.
- Die Boxen dürfen nur mit der auf der Rückseite spezifizierten Spannung verwendet werden. Es ist gefährlich, das Gerät mit einer höheren Spannung zu verwenden, es kann möglicherweise ein Brand und/oder Elektroschock verursacht werden kann.
- Um Feuergefahr und die Gefahr eines elektrischen Schlages zu vermeiden, darf das Gerät weder Regen noch Feuchtigkeit ausgesetzt werden.
- Keine Gewalt auf die Bedienungselemente und Kabel ausüben. Zum Aufstellen an einem anderen Ort zuerst das Netzkabel und dann die Verbindungskabel zu anderen Geräten lösen. Immer an den Steckern, niemals an den Kabeln selbst ziehen.
- Falls Sie das Gerät für längere Zeit nicht benutzen (z.B. während der Ferien), sollten Sie den Netzstecker aus der Steckdose ziehen.
- Bei Blitzschlaggefahr das Netzkabel aus der Steckdose ziehen.
- Weil in diesem Gerät ein Verstärker eingebaut ist, wird die entstehende Wärme an der Rückseite abgeführt. Aus diesem Grund muß das Gerät von Wänden entfernt aufgestellt werden und auf beiden Seiten und auf der Ober- und Rückseite des Gerätes muß ein genügend freier Raum vorhanden sein, so daß keine Gefahr eines Feuersausbruchs oder von anderen Beschädigungen vorhanden ist. Das Gerät darf auch nicht mit nach unten oder gegen eine andere Oberfläche gerichteter Rückseite aufgestellt werden. Auf der Oberseite, der Rückseite und auf beiden Seiten muß zwischen dem Gerät und der Wand ein freier Abstand von 20 cm eingehalten werden.
- Nicht die Rückseite dieses Geräts mit einer Zeitung, Tischdecke, Gardine o.ä. abdecken, um Hitzestau zu vermeiden. Wenn die Temperatur im Inneren des Geräts zu stark ansteigt, besteht die Gefahr von Bränden, Schäden am Gerät und/oder Verletzungen.
- Stellen Sie keine kleinen Metallgegenstände auf das Gerät. Anderenfalls kann der Gegenstand herunterfallen und möglicherweise Personenschäden verursachen.
- Nicht die folgenden Gegenstände auf dieses Gerät stellen:
  - Glas, Porzellan o.ä.  
Wenn Glas o.ä. durch Vibrationen herunterfällt und zerbricht, besteht die Gefahr von Verletzungen.
  - Brennende Kerzen o.ä.  
Wenn eine Kerze durch Vibrationen herunterfällt, besteht die Gefahr von Bränden oder Verletzungen.
  - Gefäße mit Wasser  
Wenn ein Gefäß mit Wasser durch Vibrationen herunterfällt, besteht die Gefahr von Schäden am Gerät und/oder elektrischen Schlägen.
- Stellen Sie das Gerät nicht dort auf, wo Wassertropfen usw. in das Gerät gelangen können. Dadurch kann ein Brand, ein Geräteschaden und/oder Personenschäden verursacht werden.
- Stellen Sie keine zerbrechlichen Gegenstände in der Nähe der YST-Öffnung auf, weil der Gegenstand durch den Schalldruck herunterfallen kann und das Gerät beschädigen und Verletzungen verursachen kann.
- Stecken Sie niemals eine Hand oder einen fremden Gegenstand in die YST-Öffnung auf der Vorderseite. Halten Sie zum Anheben das Gerät nicht an dieser Öffnung, weil dies Verletzungen und/oder Geräteschaden zur Folge haben könnte.
- Das Gehäuse darf niemals geöffnet werden, weil durch die vom Gerät verwendete Hochspannung ein elektrischer Schlag ausgelöst werden kann. Außerdem besteht eine Verletzungsgefahr und/oder das Gerät kann beschädigt werden.
- Wenn Sie ein Befeuchter benutzen, vergewissern Sie sich, dass sich keine Kondensation im Inneren des Gerätes bildet; lassen Sie genug Platz um das Gerät herum frei oder vermeiden Sie das Befeuchten. Kondensation kann einen Brand oder einen Geräteschaden und/oder einen Elektroschock verursachen.
- Die von diesem Gerät wiedergegebenen Tiefbaßfrequenzen können die Wiedergabe eines Plattenspielers stören. In diesem Fall muß dieses Gerät weiter vom Plattenspieler entfernt aufgestellt werden.
- Das Gerät kann beschädigt werden, falls gewisse Töne kontinuierlich mit hohem Lautstärkepegel wiedergegeben werden. Zum Beispiel bei der kontinuierlichen Wiedergabe von 20 Hz – 50 Hz-Sinuswellen von einer Test-CD, bei Baßwiedergaben elektronischer Instrumente oder wenn der Tonabnehmer die Plattenoberfläche berührt, müssen Sie den Lautstärkepegel reduzieren, um eine Beschädigung dieses Gerätes zu vermeiden.
- Falls Tonverzerrungen auftreten, wie z.B. ein unnatürliches Klopfen oder Pochen, muß der Lautstärkepegel reduziert werden. Durch eine sehr laute Wiedergabe von Filmtönenwiedergaben mit einem hohen Anteil von niedrigen Frequenzen oder von Pop und anderer Musik mit tiefen Bässen kann dieser Lautsprecher beschädigt werden.
- Vibrationen, die von extremen Bässen erzeugt werden, können Verzerrungen bei der Fernseh wiedergabe erzeugen. In diesem Fall das Gerät weiter vom Fernsehgerät entfernt aufstellen.
- Zur Reinigung keine chemischen Lösungsmittel verwenden, weil dadurch die Gehäuseoberfläche beschädigt werden kann. Mit einem sauberen, trockenen Tuch reinigen.
- Der Abschnitt "FEHLERSUCHE" beschreibt häufige Bedienungsfehler. Lesen Sie diesen Abschnitt, bevor Sie auf einen Defekt des Gerätes schließen.
- **Richtige Aufstellung und richtiger Anschluß gehört zur Verantwortung des Anwenders. YAMAHA kann keine Verantwortung für Unfälle oder Schäden übernehmen, die durch unsachgemäße Aufstellung oder falsches Anschließen der Lautsprecher verursacht werden.**

**Betriebsbereitschaft**  
Wenn das Gerät mit der Netztaaste STANDBY/ON auf der Vorderseite eingeschaltet wird, wird immer eine geringe Menge Strom verbraucht. Dieser Zustand wird als Betriebsbereitschaft bezeichnet. Die Stromversorgung des Gerätes wird erst vollständig unterbrochen, wenn der Netzschalter POWER in die Position OFF gestellt oder das Netzkabel aus der Netzsteckdose gezogen wird.

Dieses Gerät ist magnetisch abgeschirmt; trotzdem können Bildstörungen auftreten, wenn es zu nahe an einem Fernseher aufgestellt wird.

# INHALT

<b>ÜBERPRÜFEN DES ZUBEHÖRS</b> ..... Innenseite der Vorderabdeckung	
<b>ZUR BEACHTUNG</b> .....	1
<b>MERKMALE</b> .....	2
<b>AUFSTELLUNG</b> .....	3
<b>ANSCHLÜSSE</b> .....	4
Anschluss an die Line-Ausgangs- anschlüsse (Stiftbuchse) des Verstärkers .....	4
Anschluss an die Lautsprecher- Ausgangsanschlüsse des Verstärkers ...	6
Anschluss an die H.P.F. OUTPUT- Anschlüsse .....	8
Erdungsanschluss .....	10
Anschluss an das Wechselstrom- Netzkabel .....	11
<b>HINWEISE ZUR FERNBEDIENUNG</b> .....	11
<b>BEDIENUNGSELEMENTE UND IHRE FUNKTIONEN</b> .....	12
<b>AUTOMATISCHE EINSCHALTFUNKTION</b> .....	14
<b>EINSTELLUNG DES SUBWOOFERS VOR DER INBETRIEBNAHME</b> .....	15
Speichern der voreingestellten Daten des VOLUME-Reglers usw. ....	16
Frequenzeigenschaften .....	17
<b>ADVANCED YAMAHA ACTIVE SERVO TECHNOLOGY</b> .....	18
<b>FEHLERSUCHE</b> .....	19
<b>TECHNISCHE DATEN</b> .....	20

## MERKMALE

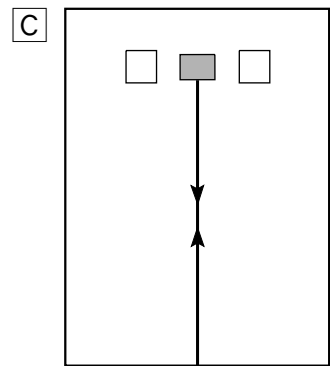
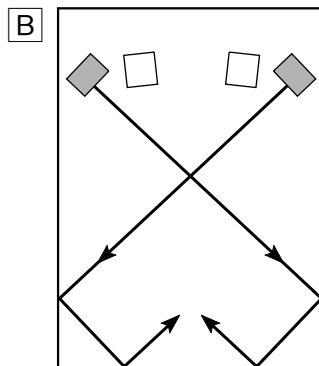
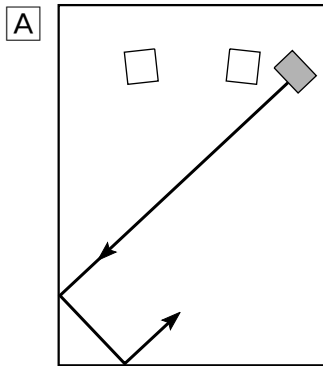
- Bei diesem Subwoofer-Lautsprecher findet die von YAMAHA entwickelte Advanced YAMAHA Active Servo Technology für eine hochwertige Tiefbasswiedergabe Verwendung. (Für Einzelheiten über die Advanced YAMAHA Active Servo Technology lesen Sie bitte Seite 18.) Dieser Tiefbassklang fügt Ihrem Stereo-System einen realistischeren Heimkinoklang hinzu.
- Ihre bereits vorhandene Stereoanlage kann mit diesem Subwoofer ergänzt werden, der einfach an die Lautsprecheranschlüsse oder an die Line-Ausgangsanschlüsse (Stiftbuchse) des Verstärkers angeschlossen werden kann.
- Für eine optimale Verwendung des Subwoofers muss die Tiefbasswiedergabe des Subwoofers auf Ihre Hauptlautsprecher abgestimmt werden. Für die verschiedenen Hörbedingungen können Sie die bestmögliche Tonqualität erzielen, indem Sie den HIGH CUT-Regler und die PHASE-Taste verwenden.
- Sie können unter Verwendung der Fernbedienung - ohne dass Sie Ihre Hörposition verlassen müssten - Einstellungsänderungen und Einstellungen für den Subwoofer durchführen.
- Mit der automatischen Einschaltfunktion erübrigt sich das Betätigen der Netztaсте STANDBY/ON zum Ein- und Ausschalten.
- Unter Verwendung der B.A.S.S.-Taste können Sie den für die jeweilige Quelle geeigneten Basseffekt auswählen.
- Die Verwendung der H.P.F. OUTPUT-Anschlüsse zum Anschluss an den Verstärker bewirkt die Verbesserung der Tonqualität Ihres Lautsprechersystems. Dieser Anschluss verhindert durch Herausfiltern der niedrigen Frequenzen der an die Hauptlautsprecher zu sendenden Eingangssignale ein Unklarwerden der Tonausgabe von den Hauptlautsprechern, die sich nicht zur Wiedergabe niedriger Frequenzen eignen.

**QD·Bass**  
TECHNOLOGY

### QD-Bass-Technologie

Die QD-Bass (Quatre Dispersion Bass)-Technologie verwendet rechteckige Pyramidenreflexionsplatten, mit denen der Sound in vier horizontale Richtungen ausgestrahlt wird.

# AUFSTELLUNG



(  : Subwoofer,  : Hauptlautsprecher)

Mit einem Subwoofer können Sie die Tonwiedergabe stark verbessern. Für einen größeren Effekt wird jedoch empfohlen, zwei Subwoofer zu verwenden.

Bei Verwendung von nur einem Subwoofer wird empfohlen, dass dieser auf der äußeren Seite des linken oder rechten Hauptlautsprechers aufgestellt wird. (Siehe Abb. [A](#).) Bei Verwendung von zwei Subwoofern wird empfohlen, dass diese auf der äußeren Seite des linken oder rechten Hauptlautsprechers aufgestellt werden. (Siehe Abb. [B](#).) Die in Abb. [C](#) gezeigte Aufstellung ist ebenfalls möglich. Allerdings geht dabei der Basseffekt verloren, wenn das Subwoofersystem direkt auf eine Wand ausgerichtet ist, da sich in diesem Fall der vom Subwoofersystem ausgegebene Ton und der von der Wand reflektierte Ton gegenseitig aufheben. Aus diesem Grund sollte der Subwoofer möglichst schräg zu einer Wand aufgestellt werden, wie in Abb. [A](#) oder [B](#) dargestellt.

## Hinweis

Es mag Fälle geben, in denen Sie vom Subwoofer keine ausreichenden Tiefbassklänge erzielen, wenn Sie Ihre Hörposition in die Raummitte gelegt haben. Ursache dafür ist, dass sich zwischen zwei parallelen Wänden "stehende Wellen" entwickelt haben und diese den Bassklang aufheben.

Stellen Sie den Subwoofer in einem solchen Fall schräg zur Wand auf. Möglicherweise ist auch ein Aufbruch der parallelen Flächen durch Aufstellen von Bücherregalen usw. an der Wand entlang erforderlich.

# ANSCHLÜSSE

**Vorsicht: Der Netzstecker des Subwoofers und der anderen Audio-/Video-Komponenten darf erst angeschlossen werden, nachdem alle anderen Anschlüsse richtig durchgeführt worden sind.**

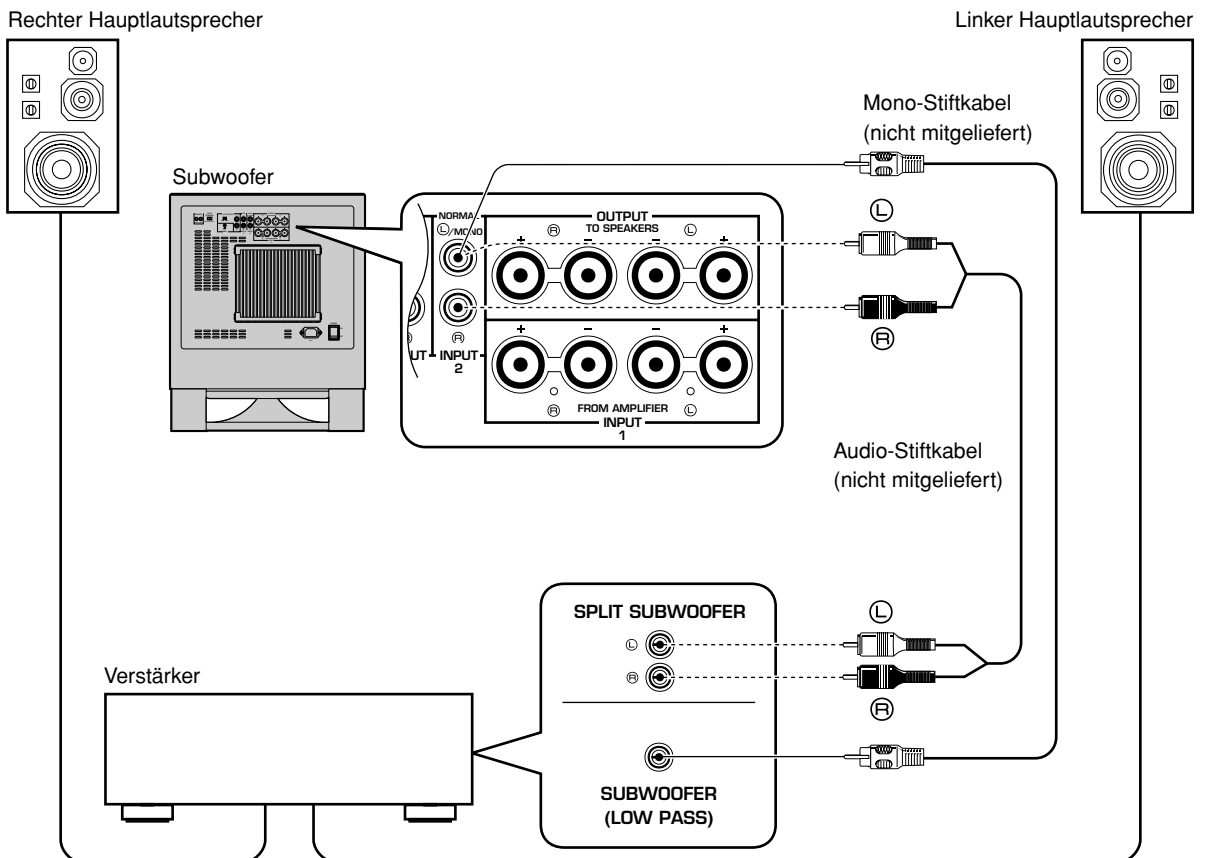
- Alle Anschlüsse müssen korrekt durchgeführt werden, d.h. L (links) muss an L, R (rechts) muss an R, "+" muss an "+" und "-" muss an "-" angeschlossen werden. Lesen Sie sich außerdem die Bedienungsanleitung Ihrer einzelnen Komponenten durch.
- Der Subwoofer kann entweder an den Line-Ausgangsanschlüssen (Stiftbuchse) oder an den Lautsprecher-Ausgangsanschlüssen des Verstärkers angeschlossen werden. Schließen Sie den Subwoofer je nach Konfiguration Ihres Audio-Systems wie in diesem Abschnitt dargestellt an. Lesen Sie sich für den Anschluss auch die Bedienungsanleitung des an den Subwoofer anzuschließenden Gerätes durch.  
Grundsätzlich muss der Subwoofer an die Line-Ausgangsanschlüsse (Stiftbuchse) des Verstärkers angeschlossen werden. (Lesen Sie sich hinsichtlich der Einzelheiten Seite 4 und 5 durch.)  
Falls der Verstärker nicht über Line-Ausgangsanschlüsse verfügt, muss der Subwoofer an die Lautsprecheranschlüsse des Verstärkers angeschlossen werden. (Lesen Sie sich hinsichtlich der Einzelheiten Seite 6 und 7 durch.)

## Anschluss an die Line-Ausgangsanschlüsse (Stiftbuchse) des Verstärkers

Schließen Sie die Hauptlautsprecher an die Lautsprecher-Ausgangsanschlüsse des Verstärkers an.

- Zum Anschließen eines DSP-Verstärkers (oder AV-Receiver) von YAMAHA müssen Sie den an der Rückseite des DSP-Verstärkers (oder AV-Receiver) befindlichen SUBWOOFER-Anschluss (oder LOW PASS usw.) mit dem  $\text{L}$ /MONO INPUT2- Anschluss des Subwoofers verbinden.
- Stellen Sie beim Anschluss des Subwoofers an den SPLIT SUBWOOFER-Anschluss auf der Rückseite des DSP-Verstärkers sicher, dass der  $\text{L}$ /MONO INPUT2-Anschluss an der Seite "L" und der  $\text{R}$  INPUT2-Anschluss an der Seite "R" des SPLIT SUBWOOFER-Anschlusses angeschlossen wird.

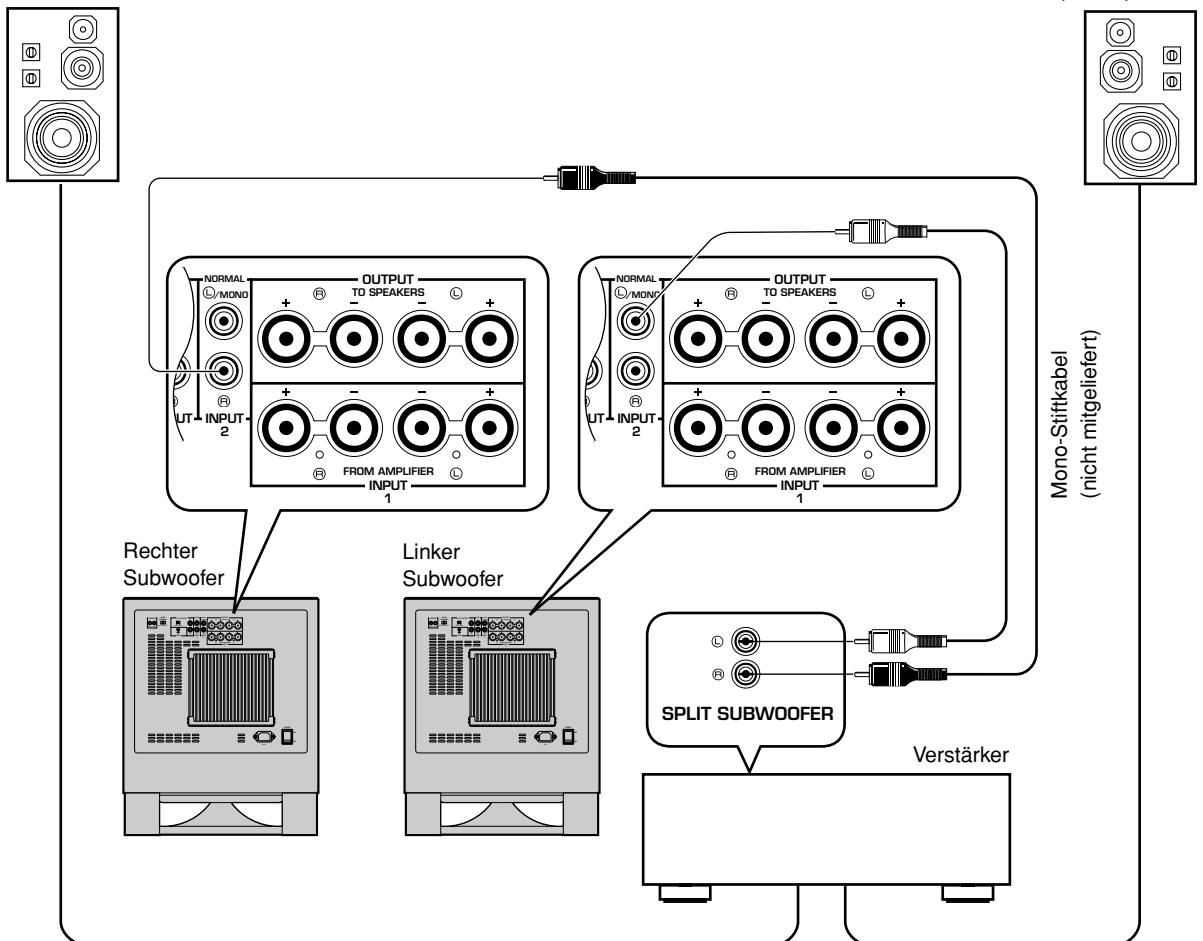
## ■ Verwendung eines Subwoofers



## ■ Verwendung von zwei Subwoofern

Rechter Hauptlautsprecher

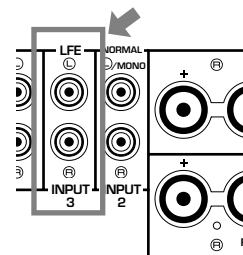
Linker Hauptlautsprecher



Deutsch

## ■ Anschluss an den LFE (INPUT3)-Anschluss bzw. die LFE (INPUT3)-Anschlüsse

Schließen Sie Ihren Verstärker an den LFE (INPUT3)-Anschluss bzw. die LFE (INPUT3)-Anschlüsse des Subwoofers an, wenn Ihr Verstärker in der Lage ist, hohe Frequenzen von den Signalen vor Versenden an den Subwoofer abzuschneiden. Dies gewährleistet eine höhere Tonqualität, da die Signalweiterleitung im Subwoofer durch die Umgehung des eingebauten HIGH CUT-Schaltkreises verkürzt wird.



### Hinweise

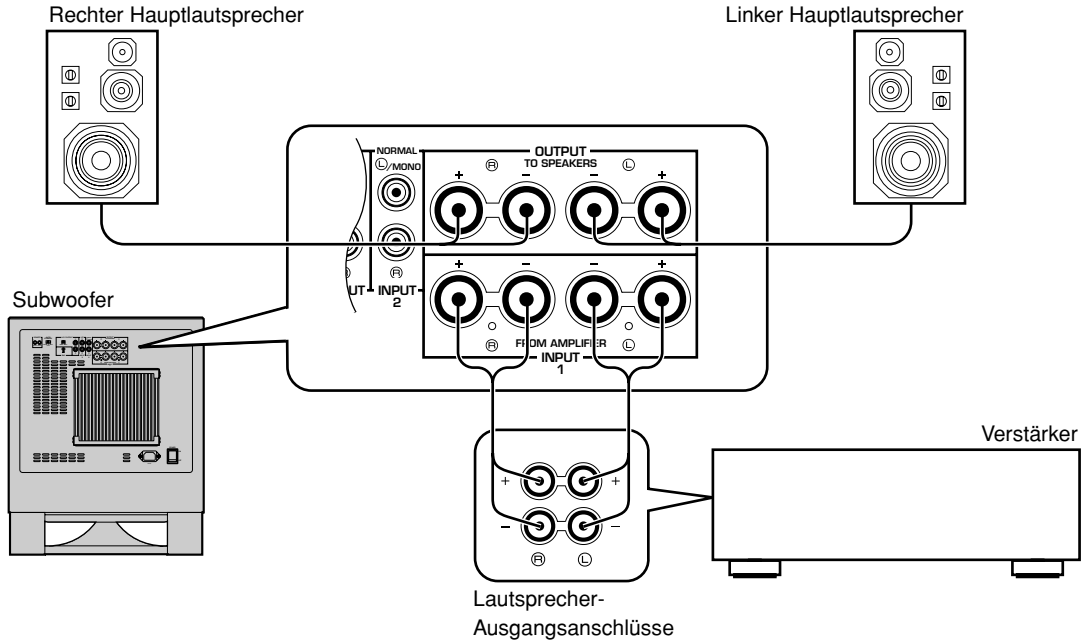
- Einige Verstärker verfügen über Line-Ausgangsanschlüsse, die mit "PRE OUT" bezeichnet sind. Stellen Sie sicher, dass der Verstärker über mindestens zwei PRE OUT-Anschlüsse verfügt, wenn Sie den Subwoofer an die PRE OUT-Anschlüsse des Verstärkers anschließen wollen. Wenn der Verstärker nur mit einem Paar PRE OUT-Anschlüssen ausgestattet ist, darf der Subwoofer nicht an die PRE OUT-Anschlüsse angeschlossen werden. Schließen Sie den Subwoofer stattdessen an die Lautsprecher-Ausgangsanschlüsse des Verstärkers an. (Lesen Sie dazu Seite 6 und 7.)
- Schließen Sie beim Anschluss an einen monauralen Line-Ausgangsanschluss des Verstärkers den L/MONO INPUT2-Anschluss an.
- Beim Anschluss an den Line-Ausgangsanschluss des Verstärkers dürfen an die Ausgangsanschlüsse (OUTPUT) auf der Rückseite des Subwoofers keine anderen Lautsprecher angeschlossen werden. Ansonsten ist keine Tonwiedergabe möglich.

# Anschluss an die Lautsprecher-Ausgangsanschlüsse des Verstärkers

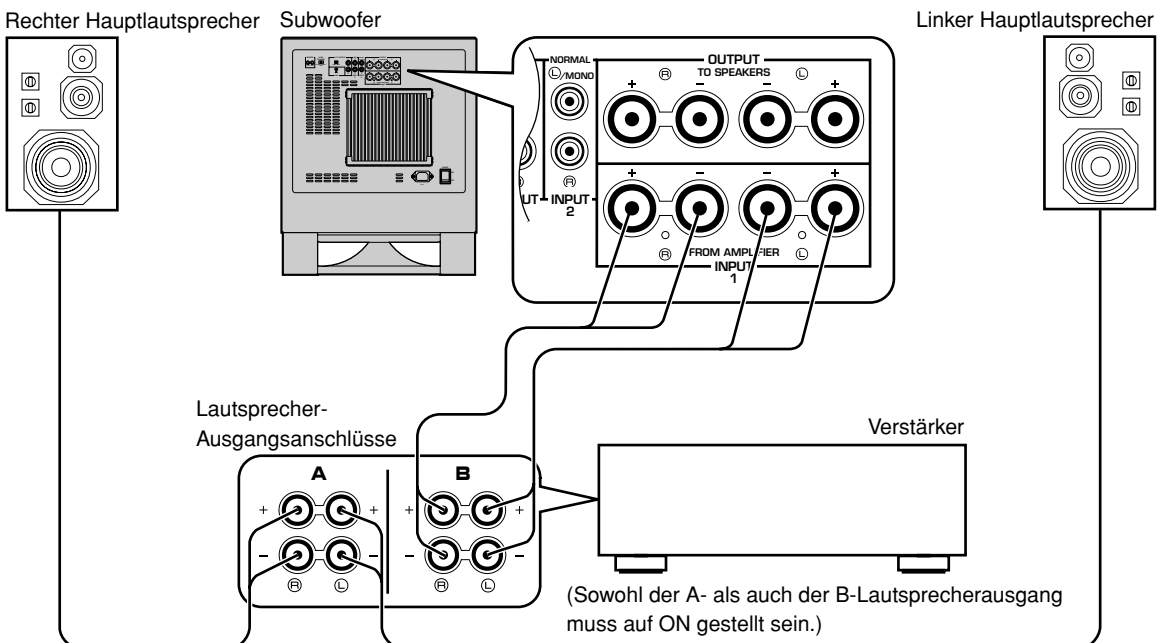
## ■ Verwendung eines Subwoofers

Falls Ihr Verstärker nur über einen Satz von Hauptlautsprecher-Ausgangsanschlüssen verfügt

Schließen Sie die Ausgangsanschlüsse des Verstärkers an die INPUT1-Anschlüsse des Subwoofers und die OUTPUT-Anschlüsse des Subwoofers an die Hauptlautsprecher an.



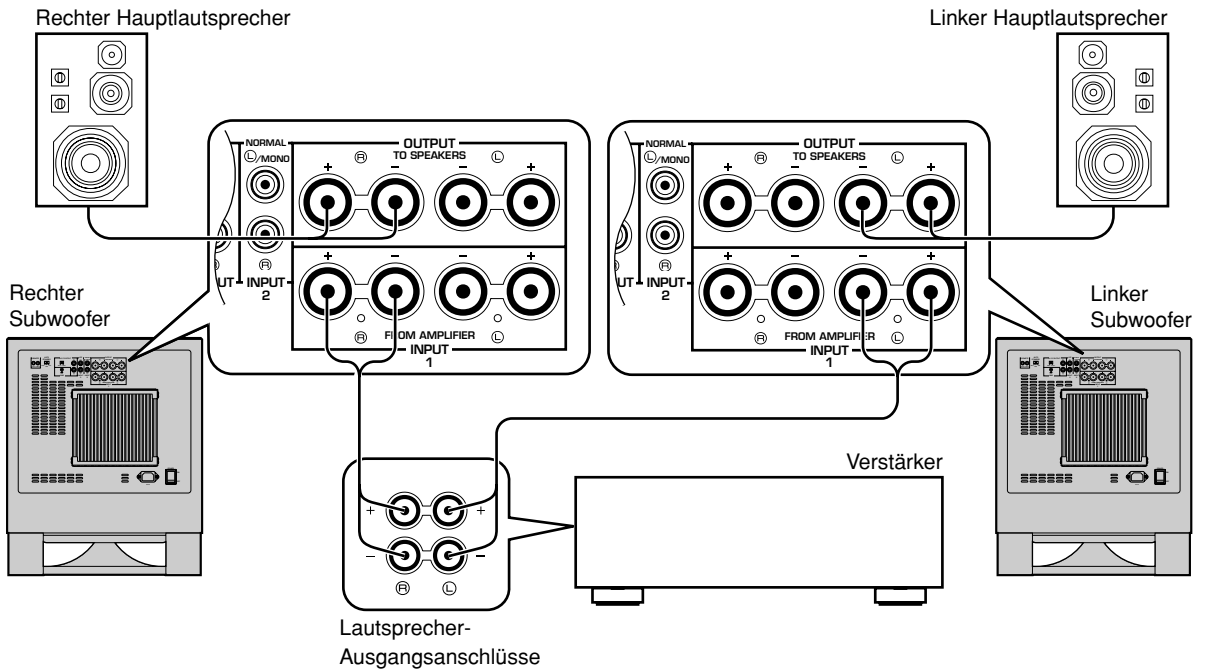
Falls Ihr Verstärker über zwei Sätze von Lautsprecher-Ausgangsanschlüssen verfügt





## ■ Verwendung von zwei Subwoofern

Schließen Sie die Ausgangsanschlüsse des Verstärkers an die INPUT1-Anschlüsse des Subwoofers und die OUTPUT-Anschlüsse des Subwoofers an die Hauptlautsprecher an.

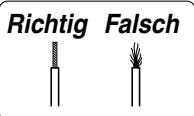


## Anschluss an die INPUT1/OUTPUT-Anschlüsse des Subwoofers

Halten Sie die Lautsprecherkabel für die Anschlüsse so kurz wie möglich. Binden Sie zu lange Kabel nicht zusammen und rollen Sie sie nicht auf. Wenn die Anschlüsse fehlerhaft sind, wird keinerlei Ton vom Subwoofer oder von den Lautsprechern oder von beiden ausgegeben. Stellen Sie sicher, dass die Polaritätenmarkierung + und – der Lautsprecherkabel beachtet und ordnungsgemäß eingestellt werden. Wenn diese Kabel vertauscht werden, erscheint der Klang unnormal und die Bässe fehlen.

### Anschluss:

Rot: Positiv (+)  
Schwarz: Negativ (–)

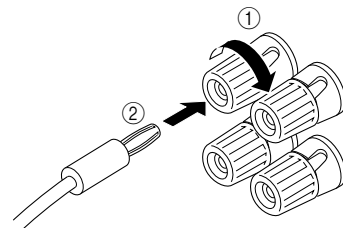


- ① Lösen Sie den Knopf.
- ② Führen Sie den bloßen Draht ein. [Entfernen Sie etwa 10 mm der Isolation von den Lautsprecher-drähten.]
- ③ Ziehen Sie den Knopf wieder an und sichern Sie den Draht.

### Zur Beachtung

**Vermeiden Sie, dass sich die bloßen Lautsprecherdrähte berühren, da dies zu einer Beschädigung des Subwoofers oder des Verstärkers oder zu einer Beschädigung beider Geräte führen könnte.**

<Nur USA, Kanada, Australien und koreanische Modelle>  
Bananenstecker-Anschlüsse sind ebenfalls möglich.



- ① Ziehen Sie den Anschlussknopf fest.
- ② Stecken Sie einfach den Bananenstecker in den Anschluss.

## Anschluss an die H.P.F. OUTPUT-Anschlüsse

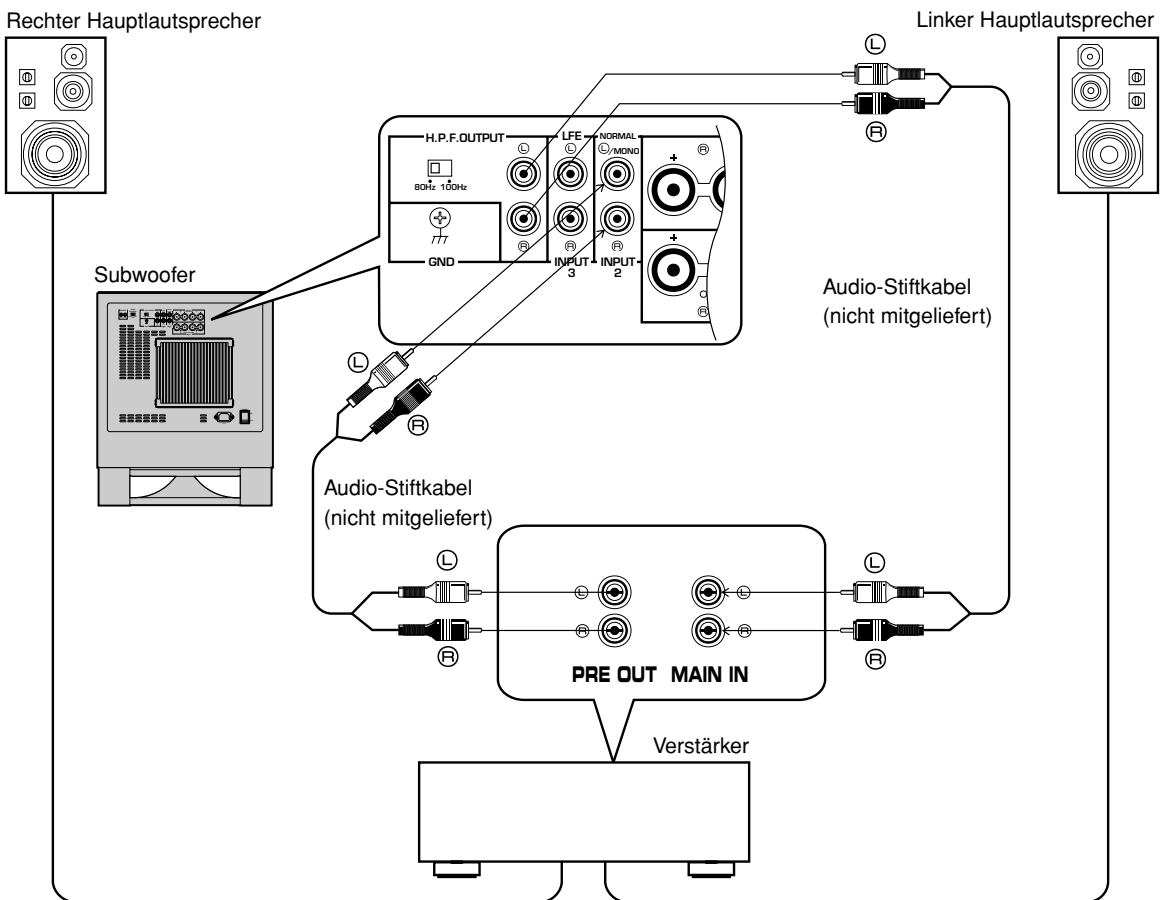
Die Verwendung der H.P.F. OUTPUT-Anschlüsse zum Anschluss an den Verstärker verbessert die Tonqualität Ihres Lautsprechersystems.

Die H.P.F. (Hochpassfilter) OUTPUT-Anschlüsse des Subwoofers beschneiden die Frequenzen des Eingangssignals unterhalb des ausgewählten Frequenzpunktes und sorgen für eine Ausgabe ausschließlich hoher Frequenzen. Durch den Anschluss dieses Anschlusses an die MAIN IN-Anschlüsse des Verstärkers geben die Hauptlautsprecher ausschließlich hohe Frequenzen wieder.

Dies hat zur Folge, dass die gesamte Tonqualität klarer wird, da das Unklarwerden des Tons zwischen den Hauptlautsprechern und dem Subwoofer verhindert wird.

\* Dieser Anschluss kann durchgeführt werden, wenn Ihr Verstärker über PRE OUT- und MAIN IN-Anschlüsse verfügt oder wenn Sie getrennte Verstärker (Vorverstärker und Hauptverstärker) verwenden.

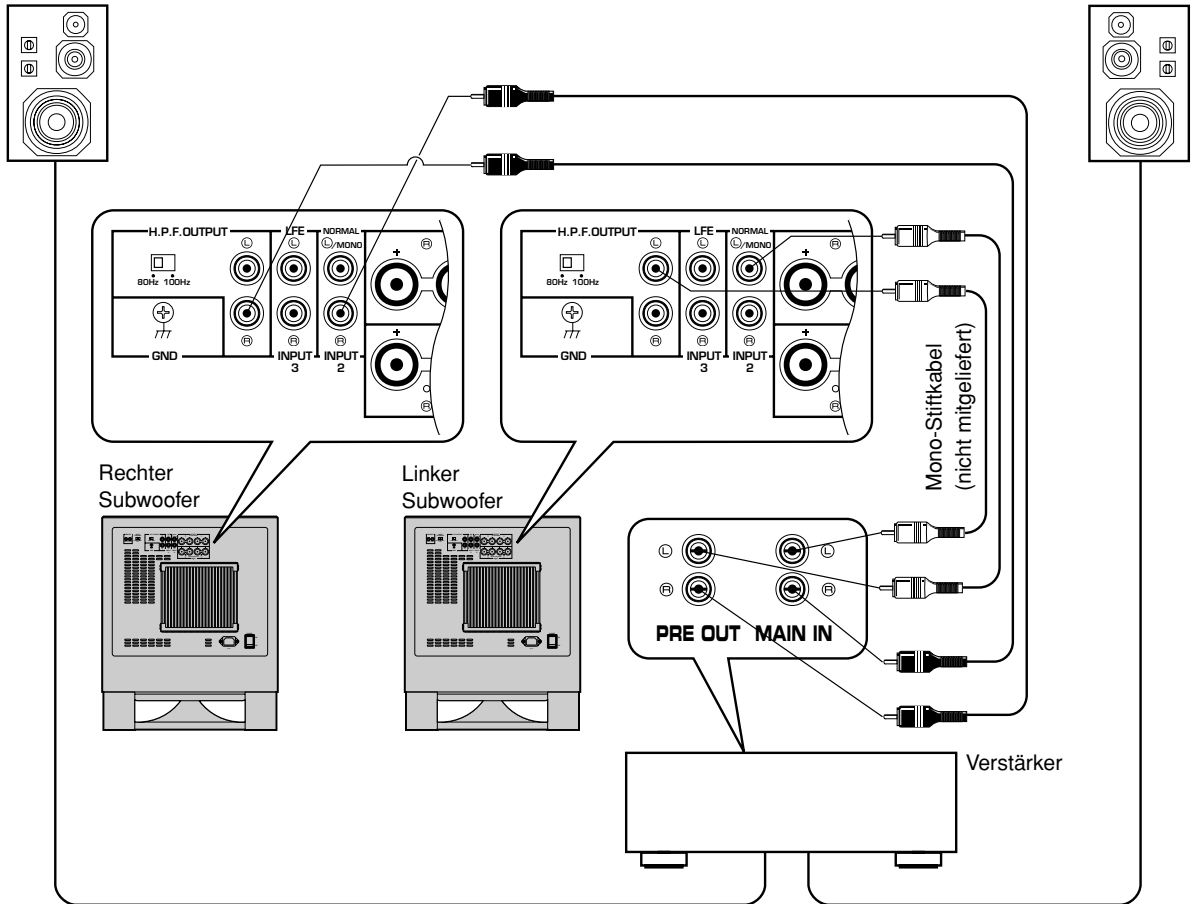
### ■ Zum Anschluss nur eines Gerätes



## ■ Zum Anschluss von zwei Geräten

Rechter Hauptlautsprecher

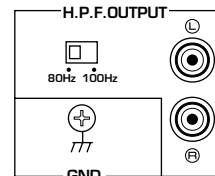
Linker Hauptlautsprecher



Deutsch

## Umschalten des H.P.F. OUTPUT-Schalters

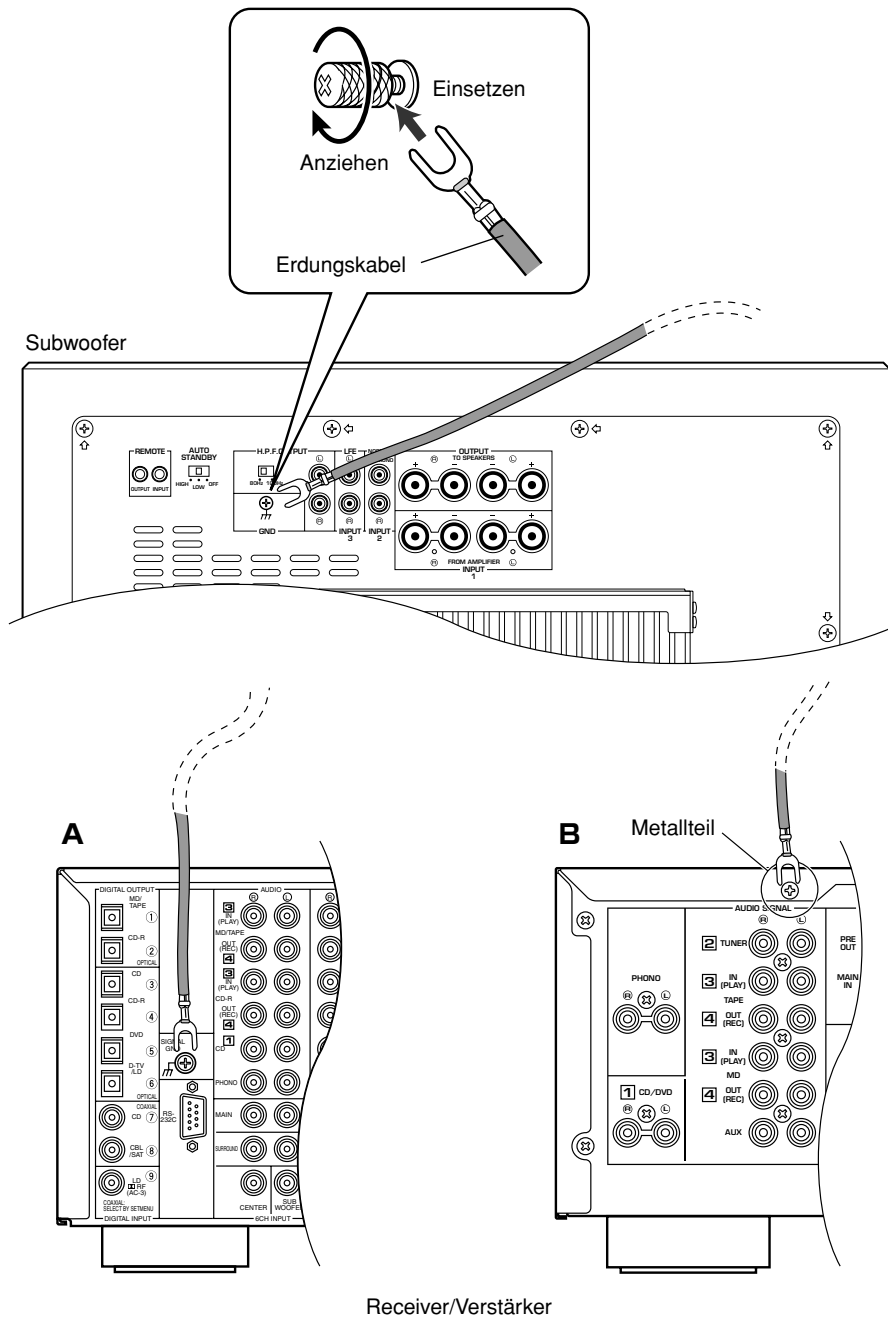
Wählen Sie nach dem Durchführen des Anschlusses mit dem **H.P.F. OUTPUT**-Schalter den gewünschten Frequenzpunkt (80 Hz oder 100 Hz) aus.  
 (Für gewöhnlich ist es empfehlenswert, einen Frequenzpunkt auszuwählen, der näher bei der mindestens wiederzugebenden Frequenz des Hauptlautspeichers liegt.)  
 Alle höheren als die ausgewählten Frequenzen werden von den **H.P.F. OUTPUT**-Anschlüssen ausgegeben.



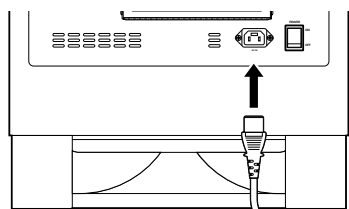
## Erdungsanschluss

Wenn ein Brummgeräusch hörbar werden sollte, wenn der an die Lautsprecheranschlüsse angeschlossene Subwoofer verwendet wird, schließen Sie den Subwoofer und den Receiver/Verstärker mit den Erdungskabeln wie in Abbildung A dargestellt an.

\* Wenn kein Erdungsanschluss (GND) an der Receiver-/Verstärkerseite vorhanden ist, schließen Sie das Kabel wie in Abbildung B dargestellt an eine Schraube an, die die obere Abdeckung des Receivers/Verstärkers an der Rückseite befestigt.

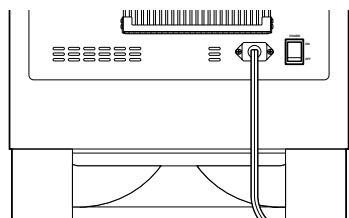


## Anschluss an das Wechselstrom-Netzka- bel



(USA-Modell)

→ Zur Wechselstrom-  
Steckdose



(GB-Modell)

→ Zur Wechselstrom-  
Steckdose

### <Nur USA, Kanada, Europa und koreanische Modelle>

Wenn alle Anschlüsse durchgeführt sind, stecken Sie das mitgelieferte Netzkabel in die AC IN-Buchse des Subwoofers ein und stecken Sie anschließend das Netzkabel in eine Wandsteckdose ein.

#### Hinweise

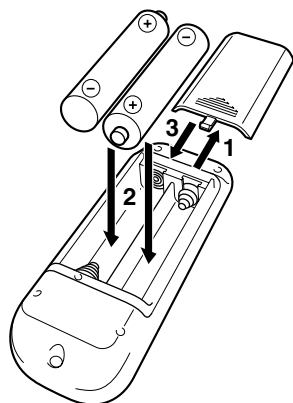
- Schließen Sie niemals ein anderes als das mitgelieferte Netzkabel an den Subwoofer an. Wenn Sie dies nicht beachten, kann dies zu einem Brand oder zu einem elektrischen Schlag führen.
- Schließen Sie das im Lieferumfang enthaltene Netzkabel an kein anderes Gerät als an diesen Subwoofer an.

### <GB- und Australien-Modelle>

Stecken Sie das Subwoofer-Kabel in die Netzsteckdose ein.

## HINWEISE ZUR FERNBEDIENUNG

### Einsetzen der Batterien



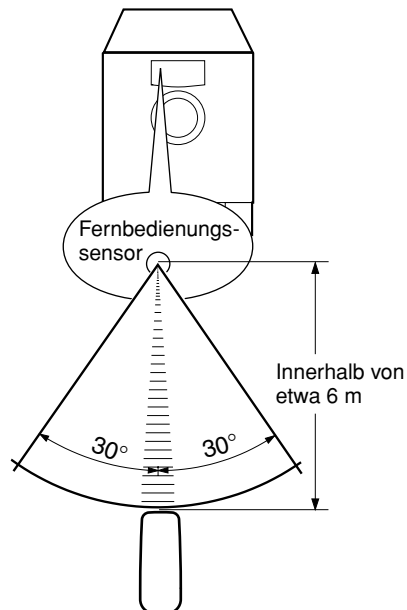
### Austausch der Batterien

Wenn Sie feststellen, dass die Fernbedienung zur Verwendung näher an das Gerät heran gehalten werden muss, deutet dies auf eine Schwäche der Batterien hin. Tauschen Sie beide Batterien durch neue aus.

#### Hinweise

- Verwenden Sie für den Austausch ausschließlich Batterien des Typs AA, R6 und UM-3.
- Stellen Sie sicher, dass die Polarität ordnungsgemäß ist. (Siehe die Abbildung auf der Innenseite des Batteriefachs.)
- Entnehmen Sie die Batterien, wenn die Fernbedienung über einen längeren Zeitraum nicht verwendet werden soll.
- Wenn die Batterien eine Leckage aufweisen, entsorgen Sie sie bitte umgehend. Vermeiden Sie eine Berührung des ausgetretenen Materials und lassen Sie es nicht in Kontakt mit Kleidung usw. kommen. Reinigen Sie das Batteriefach zunächst gründlich, bevor Sie neue Batterien einsetzen.

### Betriebsbereich der Fernbedienung

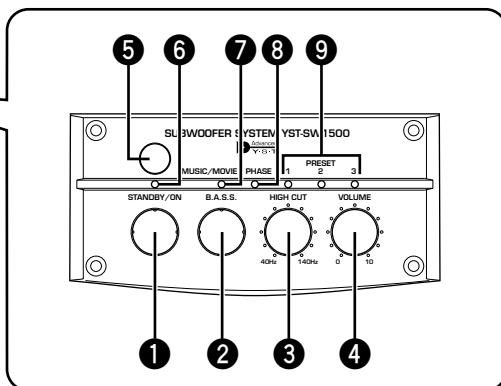
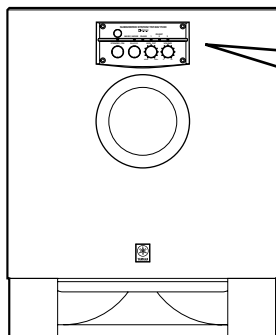


#### Hinweise

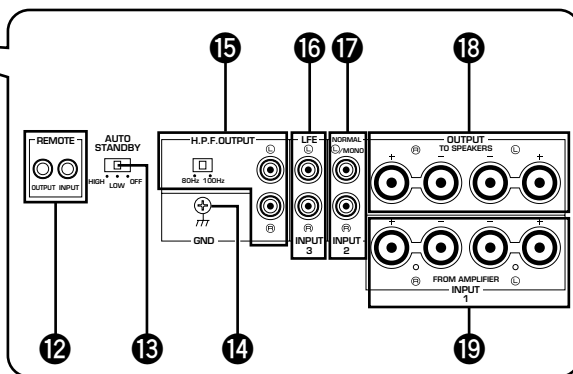
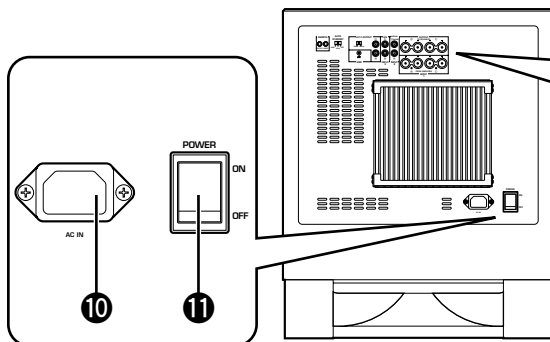
- Zwischen der Fernbedienung und dem Hauptgerät sollten sich keinerlei größere Hindernisse befinden.
- Wenn der Fernbedienungssensor direktem starkem Licht ausgesetzt wird (insbesondere Wechselrichter-Fluoreszenzlampen usw.) könnte dies zu einer Beeinträchtigung der Funktion der Fernbedienung führen. Stellen Sie in einem solchen Fall das Hauptgerät an einem anderen Ort auf, um eine direkte Lichteinstrahlung zu vermeiden.

# BEDIENUNGSELEMENTE UND IHRE FUNKTIONEN

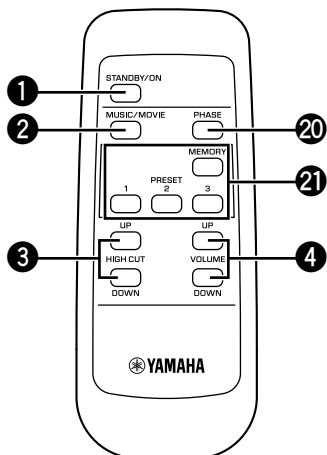
## Vorderes Bedienfeld



## Rückseite



## Fernbedienung



### 1 STANDBY/ON-Taste

Drücken Sie diese Taste, um die Stromversorgung einzuschalten. Drücken Sie sie erneut, um den Subwoofer in den Bereitschaftsmodus zu schalten.

\* Diese Taste kann nur dann verwendet werden, wenn der **POWER** (11)-Schalter auf die Position ON gestellt ist.

### Bereitschaftsmodus

In diesem Modus wird vom Subwoofer nach wie vor eine geringe Menge Strom aufgenommen.

### 2 B.A.S.S.-Schalter

#### MUSIC/MOVIE-Taste

Durch Drücken dieser Taste zur Auswahl des MOVIE-Modus wird der Bassklang der Video-Software getreu wiedergegeben. Durch Drücken dieser Taste zur Auswahl des MUSIC-Modus wird der Bassklang der Audio-Software gut wiedergegeben.

### 3 HIGH CUT-Regler

#### HIGH CUT UP/DOWN-Tasten

Wählen Sie die obere Begrenzung der vom Subwoofer wiedergebenden Frequenzen aus.

Führen Sie eine Münze oder ähnliches in die Kerbe des Reglers auf dem vorderen Bedienfeld ein und drehen Sie sie, um den Regler einzustellen.

- 4 VOLUME-Regler**  
**VOLUME UP/DOWN**-Tasten  
 Stellen Sie die Lautstärke ein. Drehen Sie diesen Regler im Uhrzeigersinn oder drücken Sie die **UP**-Taste, um die Lautstärke zu erhöhen. Drehen Sie diesen Regler gegen den Uhrzeigersinn oder drücken Sie die **DOWN**-Taste, um die Lautstärke zu senken. Führen Sie eine Münze oder ähnliches in die Kerbe des Reglers auf dem vorderen Bedienfeld ein und drehen Sie sie, um den Regler einzustellen.
- 5 Fernbedienungssensor**  
 Empfängt Signale von der Fernbedienung.
- 6 Netzanzeige (LED)**  
 Leuchtet in Grün, wenn der Subwoofer eingeschaltet ist. Leuchtet in Rot, wenn der Subwoofer durch die automatische Einschaltfunktion in den Bereitschaftsmodus geschaltet ist.
- 7 MUSIC/MOVIE-Anzeige (LED)**  
 Leuchtet in Rot, wenn der MUSIC-Modus ausgewählt worden ist, und leuchtet in Grün, wenn der MOVIE-Modus ausgewählt worden ist.
- 8 PHASE-Anzeige (LED)**  
 Leuchtet in Rot, wenn die **PHASE**-Taste (20) im regulären Modus eingestellt ist, und leuchtet in Grün, wenn sie im Umkehrmodus eingestellt ist.
- 9 PRESET 1/2/3-Anzeigen (LED)**  
 Zur Anzeige der ausgewählten PRESET-Nummer (1, 2 oder 3).  
 (Wenn der Subwoofer in den Bereitschaftsmodus geschaltet wird, während eine dieser Anzeigen leuchtet, leuchtet keine der Anzeigen, wenn der Subwoofer das nächste Mal eingeschaltet wird.)
- 10 AC IN <Nur USA, Kanada, Europa und koreanische Modelle>**  
 Stecken Sie das mitgelieferte Netzkabel in diese Buchse ein. Schließen Sie niemals ein anderes als das mitgelieferte Netzkabel an diese Buchse an. Schließen Sie zudem niemals das mitgelieferte Netzkabel an ein anderes Gerät an.
- 11 POWER-Schalter**  
 Stellen Sie diesen Schalter für die Benutzung des Subwoofers für gewöhnlich auf die Position ON. In diesem Zustand können Sie den Subwoofer einschalten oder durch Drücken der **STANDBY/ON** (1)-Taste in den Bereitschaftsmodus schalten. Stellen Sie diesen Schalter auf die Position OFF, um den Subwoofer vollständig vom Netz zu trennen.
- 12 REMOTE-Anschlüsse**  
 Diese Anschlüsse werden für das Kunden-Installationssystem verwendet. Wenn der Subwoofer an die Komponenten für das Kunden-Installationssystem angeschlossen wird, können Sie den Subwoofer mit der System-Fernbedienung bedienen.
- 13 AUTO STANDBY (HIGH/LOW/OFF)-Schalter**  
 Dieser Schalter befindet sich ursprünglich in der Position OFF. Durch Stellen dieses Schalters in die Position HIGH oder LOW arbeitet die automatische Einschaltfunktion des Subwoofers wie auf Seite 14 beschrieben. Wenn Sie diese Funktion nicht benötigen, belassen Sie diesen Schalter in der Position OFF.
- 14 GND-Anschluss**  
 Der Anschluss dieses Anschlusses an einen Erdungsanschluss (GND) des Receivers/Verstärkers kann das Brummgeräusch reduzieren helfen. (Siehe Seite 10.)
- 15 H.P.F. (Hochpassfilter) OUTPUT-Schalter**  
 Zur Auswahl der oberen Begrenzung der auszuscheidenden Frequenzen der Ausgangs-Signale bei den H.P.F. OUTPUT-Anschlüssen. Verwenden Sie diesen Schalter nur dann, wenn die H.P.F. OUTPUT-Anschlüsse für den Anschluss an den Verstärker verwendet werden. (Für Einzelheiten siehe Seite 8.)  
**H.P.F. OUTPUT-Anschlüsse**  
 Diese Anschlüsse beschneiden die Frequenzen des Eingangssignals unterhalb des durch den H.P.F. OUTPUT-Schalter ausgewählten Frequenzpunktes und sorgen für einen Ausgang von höheren Frequenzen.
- 16 INPUT3 (LFE)-Anschlüsse**  
 Der **HIGH CUT**-Regler (3) hat keinerlei Auswirkung auf die an diesen Anschlüssen eingegebenen Signale. (Für Einzelheiten siehe Seite 5.)
- 17 INPUT2-Anschlüsse**  
 Zur Eingabe der Line-Signale vom Verstärker. (Für Einzelheiten lesen Sie bitte den Abschnitt "ANSCHLÜSSE".)
- 18 OUTPUT (TO SPEAKERS)-Anschlüsse**  
 Zum Anschluss an die Hauptlautsprecher. Diese Anschlüsse geben Signale vom Verstärker direkt an die Hauptlautsprecher aus. (Für Einzelheiten lesen Sie bitte den Abschnitt "ANSCHLÜSSE".)
- 19 INPUT1 (FROM AMPLIFIER)-Anschlüsse**  
 Zum Anschluss des Subwoofers an die Lautsprecheranschlüsse des Verstärkers. (Für Einzelheiten lesen Sie bitte den Abschnitt "ANSCHLÜSSE".)
- 20 PHASE-Taste**  
 Drücken Sie für gewöhnlich diese Taste, um den Umkehrmodus auszuwählen. Trotzdem wird unter Umständen - je nach verwendetem Lautsprechersystem und je nach Hörposition - eine bessere Tonqualität erzielt, wenn Sie den regulären Modus auswählen. Wählen Sie deshalb den Modus aus, in dem eine besser Tonwiedergabe erzielt wird. Im Umkehrmodus leuchtet die PHASE-Anzeige auf dem vorderen Bedienfeld in Grün, und im regulären Modus leuchtet die Anzeige in Rot.
- 21 MEMORY-Taste/PRESET-Tasten**  
 Werden verwendet, um die Daten für die **B.A.S.S. [MUSIC/MOVIE]** (2)-, die **VOLUME [VOLUME UP/DOWN]** (4)-, die **HIGH CUT [HIGH CUT UP/DOWN]** (3)- und die **PHASE** (20)-Tasten-Einstellungen zu speichern und abzurufen. (Siehe Seite 16.)

# AUTOMATISCHE EINSCHALTFUNKTION

Falls die Tonquelle ausgeschaltet wird und für 7 bis 8 Minuten kein Toneingangssignal vorhanden ist, wird der Subwoofer automatisch in den Bereitschaftsmodus umgeschaltet. (Wenn der Subwoofer durch die automatische Einschaltfunktion in den Bereitschaftsmodus schaltet, leuchtet die Stromanzeige rot auf.) Beim Einschalten einer Tonquelle wird der Subwoofer durch die Toneingangssignale automatisch eingeschaltet. Diese Funktion arbeitet durch Erkennung eines bestimmten Pegels des Niedrigfrequenz-Eingangssignals. Normalerweise sollte der **AUTO STANDBY**-Schalter auf die Position LOW gestellt werden. Falls die Stromversorgung allerdings nicht glatt ein- oder in den Bereitschaftsmodus STANDBY geschaltet wird, stellen Sie diesen Schalter bitte auf die Position HIGH. In der Position HIGH schaltet sich das Gerät auch bei einem niederpegeligen Eingangssignal ein. Aber beachten Sie bitte, dass sich der Subwoofer bei einem extrem niedrigen Eingangssignal möglicherweise nicht in den Bereitschaftsmodus umschaltet.

- \* Möglicherweise schaltet sich das Gerät unerwartet durch die Aufnahme von Geräuschen von anderen Geräten ein. Sollte dies der Fall sein, stellen Sie bitte den **AUTO/STANDBY**-Schalter in die Position OFF.
- \* Diese Funktion erkennt die Komponenten mit Niedrigfrequenzpegel von unter 200 Hz des Toneingangssignals (z.B. die Explosionen in einem Action-Film, den Klang einer Bassgitarre oder einer Basstrommel usw.).
- \* Abhängig von den Störgeräuschen anderer Geräte kann es einige Minuten dauern, bis der Subwoofer in den Bereitschaftsmodus umgeschaltet wird.

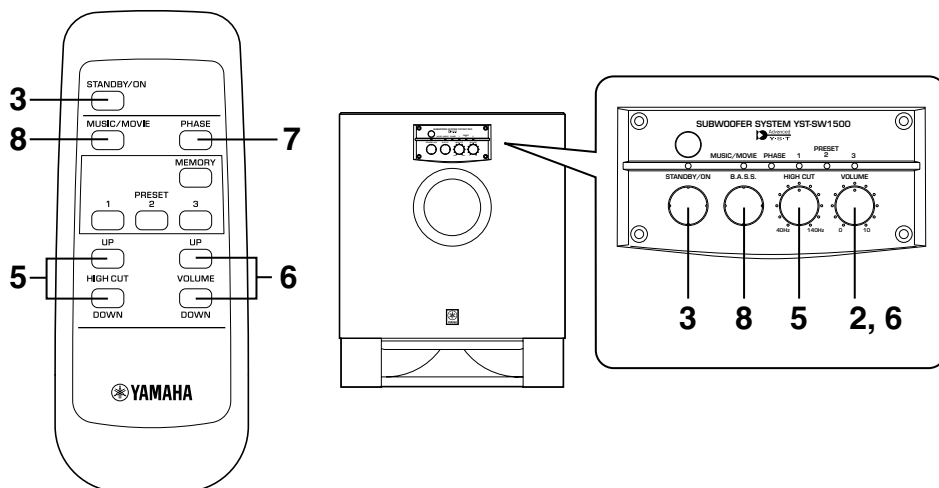
**Diese Funktion ist nur bei eingeschaltetem Subwoofer (durch Einstellung der STANDBY/ON-Taste auf "ON") verfügbar.**

**Diese Funktion arbeitet nicht, wenn der Subwoofer unter Verwendung der STANDBY/ON-Taste in den Bereitschaftsmodus geschaltet worden ist. (Die Netzanzeige auf dem vorderen Bedienfeld schaltet sich aus.)**



# EINSTELLUNG DES SUBWOOFERS VOR DER INBETRIEBNAHME

Stellen Sie vor Inbetriebnahme des Subwoofers die optimale Lautstärke- und Tonbalance zwischen dem Subwoofer und den Hauptlautsprechern wie nachfolgend beschrieben ein.



- 1 Stellen Sie den Lautstärkepegel des Verstärkers auf ein Minimum und schalten Sie den Verstärker und die anderen Komponenten ein.
- 2 Drehen Sie am **VOLUME**-Regler, um den Regler auf ein Minimum (0) einzustellen.
- 3 Stellen Sie sicher, dass sich der **POWER**-Schalter auf der Rückseite in der Position ON befindet, und drücken Sie anschließend die **STANDBY/ON**-Taste, um den Subwoofer einzuschalten.

\* Die Netzanzeige leuchtet in Grün.

- 4 Beginnen Sie mit der Wiedergabe einer Tonquelle, die Niedrigfrequenz-Komponenten enthält, und stellen Sie mit dem Lautstärkereglers des Verstärkers den gewünschten Wiedergabepegel ein.
- 5 Drehen Sie am **HIGH CUT**-Regler (oder drücken Sie die **HIGH CUT UP/DOWN**-Tasten auf der Fernbedienung), um den Regler auf die Position einzustellen, bei der die gewünschte Ausgabe erzielt werden kann.

Stellen Sie den Regler für gewöhnlich auf die minimal wiedergegebene Nennfrequenz des Hauptlautsprechers\* ein.

\* Der Nennwert für die minimal wiedergegebene Frequenz des Hauptlautsprechers kann in der technischen Dokumentation des Lautsprechers oder in der Bedienungsanleitung nachgeschlagen werden.

- 6 Erhöhen Sie langsam den Tonpegel, um die Lautstärkebalance zwischen dem Subwoofer und den Hauptlautsprechern einzustellen.

Drehen Sie den Regler für gewöhnlich auf einen Pegel, bei dem Sie ein wenig mehr Tiefen erhalten als bei Nichtverwendung des Subwoofers. Wenn die gewünschte Frequenzwiedergabe nicht erzielt werden kann, stellen Sie den HIGH CUT-Regler und VOLUME-Regler erneut ein.

- 7 Drücken Sie die **PHASE**-Taste, um den regulären oder den Umkehrmodus auszuwählen, der Ihnen einen besseren Tiefenklang liefert.

Wählen Sie für gewöhnlich den Umkehrmodus aus (so dass die PHASE-Anzeige auf dem vorderen Bedienfeld in Grün aufleuchtet). Wenn die gewünschte Ausgabe nicht erzielt werden kann, wählen Sie bitte den regulären Modus aus (so dass die PHASE-Anzeige in Rot aufleuchtet).

- 8 Wählen Sie je nach wiedergegebener Quelle die Option "MOVIE" oder "MUSIC" aus.

**MOVIE** (wenn die MUSIC/MOVIE-Anzeige auf dem vorderen Bedienfeld in Grün leuchtet):

Wenn eine spielfilmartige Quelle wiedergegeben wird, wird die Niedrigfrequenzwirkung erhöht, um dem Hörer einen kraftvolleren Klanggenuss zu ermöglichen. (Der Ton wird fetter und tiefer.)

**MUSIC** (wenn die MUSIC/MOVIE-Anzeige auf dem vorderen Bedienfeld in Rot leuchtet):

Wenn eine gewöhnliche Musikquelle wiedergegeben wird, werden die übermäßigen Niedrigfrequenz-Komponenten abgeschnitten, um den Ton klarer wirken zu lassen. (Der Ton wird leichter und gibt die Melodienlinie klarer wieder.)

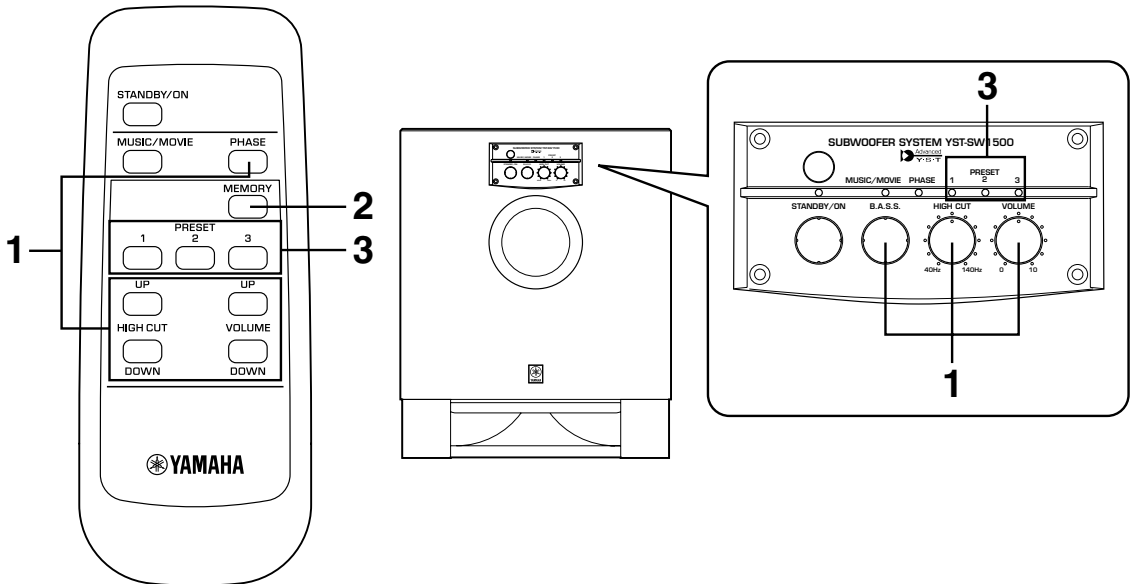
- Wenn einmal die Lautstärkebalance zwischen dem Subwoofer und den Hauptlautsprechern eingestellt ist, kann der Gesamtlautstärkepegel mit dem Lautstärkereglers des Verstärkers eingestellt werden.

Falls Sie die Hauptlautsprecher gegen andere Lautsprecher austauschen, müssen Sie diese Einstellung noch einmal vornehmen.

- Zur Einstellung des VOLUME-Reglers, des HIGH CUT-Reglers und der PHASE-Taste lesen Sie bitte den Abschnitt "Frequenzeigenschaften" auf Seite 17.

## Speichern der voreingestellten Daten des VOLUME-Reglers usw.

Sie können die voreingestellten Daten des **VOLUME**-Reglers, des **HIGH CUT**-Reglers, der **PHASE**-Taste und des **B.A.S.S.**-Schalters als Satz speichern. Jede der drei **PRESET**-Tasten auf der Fernbedienung wird zum Speichern (und Abrufen) eines Datensatzes verwendet. Mit dieser Funktion können Sie voreingestellte Daten je nach Quelle auf einfache Weise abrufen.



### ■ Wie man speichert

- 1 Stellen Sie den **VOLUME**-Regler, den **HIGH CUT**-Regler, die **PHASE**-Taste und den **B.A.S.S.**-Schalter ein.
- 2 Drücken Sie die **MEMORY**-Taste. Die **PRESET**-Zahlenanzeigen auf dem vorderen Bedienfeld blinken.
- 3 Drücken Sie die **PRESET 1**-Taste. Die entsprechende **PRESET**-Zahlenanzeige leuchtet auf. Dies zeigt an, dass die Daten unter **PRESET 1** gespeichert worden sind.

\* Speichern Sie auf dieselbe Art und Weise die anderen Datensätze unter **PRESET 2** und **3**.

\* Die Standardeinstellung jeder **PRESET**-Taste eignet sich für die Verwendung der folgenden Yamaha Lautsprechersysteme zusammen mit diesem Subwoofer:  
**PRESET 1:** NS-8HX, NS-6HX  
**PRESET 2:** NS-4HX  
**PRESET 3:** NS-2HX

### Hinweise

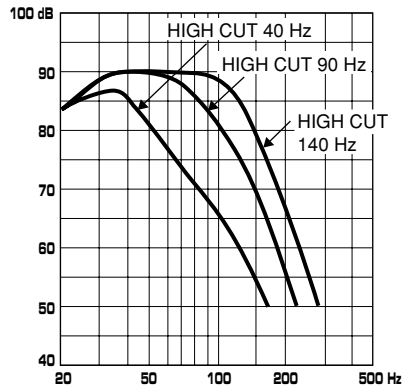
- An der Stelle einer vorherigen Einstellung kann eine neue Einstellung gespeichert werden.
- Wenn der **VOLUME**-Regler oder der **HIGH CUT**-Regler gedreht wird, nachdem eine **PRESET**-Taste gedrückt worden ist, hat das Drücken einer anderen **PRESET**-Taste keinerlei Auswirkung.

### Speicher-Backup

Der Speicher-Backupswitchkreis verhindert den Verlust gespeicherter Daten selbst dann, wenn der **POWER**-Schalter ausgeschaltet oder der Netzstecker aus der Wechselstromsteckdose abgezogen oder der Strom aufgrund einer vorübergehenden Störung ausgefallen ist. Wenn die Stromversorgung allerdings für mehr als eine Woche ausfällt, kann es unter Umständen zu einem Löschen des Speichers kommen. Sollte dies der Fall sein, können die Daten auf einfache Art und Weise durch Befolgen der oben angeführten Schritte wiederhergestellt werden.

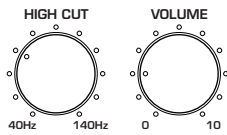
# Frequenzeigenschaften

## Frequenzeigenschaften des Subwoofers

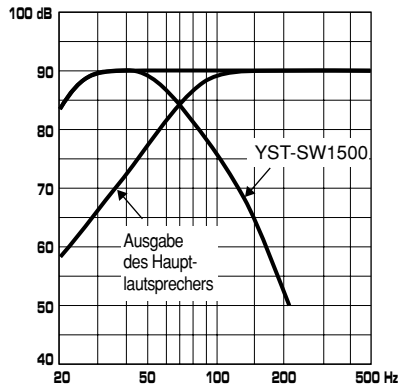


Die Abbildungen unten zeigen die optimale Einstellung jedes Reglers und die Frequenzeigenschaften, wenn dieser Subwoofer mit einem typischen Hauptlautsprechersystem kombiniert ist.

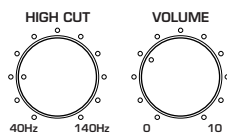
### Beispiel 1: Verwendung zusammen mit 10 cm- oder 13 cm- Acoustic-Suspension-2-Wege-Hauptlautsprechern.



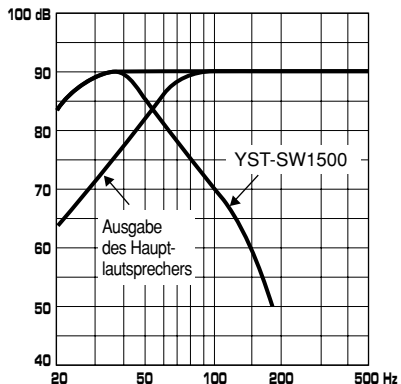
**PHASE** – Einstellung auf den Umkehrmodus  
**B.A.S.S.–MOVIE**



### Beispiel 2: Verwendung zusammen mit 20 cm- oder 25 cm- Acoustic-Suspension-2-Wege-Hauptlautsprechern.



**PHASE** – Einstellung auf den Umkehrmodus  
**B.A.S.S.–MOVIE**



# ADVANCED YAMAHA ACTIVE SERVO TECHNOLOGY

Die Theorie der Yamaha Active Servo Technology basiert auf zwei Grundfaktoren: dem Helmholtz-Resonator und der Negativimpedanzansteuerung. Active Servo Processing-Lautsprecher reproduzieren die Baßfrequenzen durch eine Baßöffnung in der Lautsprecherbox. Diese Öffnung übernimmt die Funktion eines Tieftonlautsprechers in herkömmlichen Lautsprechersystemen und wird an dessen Stelle verwendet. Laut der Helmholtztheorie können im Bereich der Resonanzfrequenz durch kleine Erregerschwingungen große Ausgangsamplituden erzeugt werden. Die Resonanzfrequenz der Box wird daher so dimensioniert, daß sie in dem Bereich liegt, wo der Wiedergabepegel des Tieftöners absinkt. Dadurch wird der lineare Wiedergabefrequenzbereich bis zu sehr tiefen Tönen erweitert. Um Resonanzüberhöhungen und unpräzise Baßwiedergabe zu vermeiden sind große Antriebs- und Rückstellkräfte der Lautsprechermembran nötig.

Zur Lösung dieses Problems wurde von den YAMAHA-Konstrukteuren ein Verstärkerprinzip entwickelt, das folgende Theorie verwirklicht:

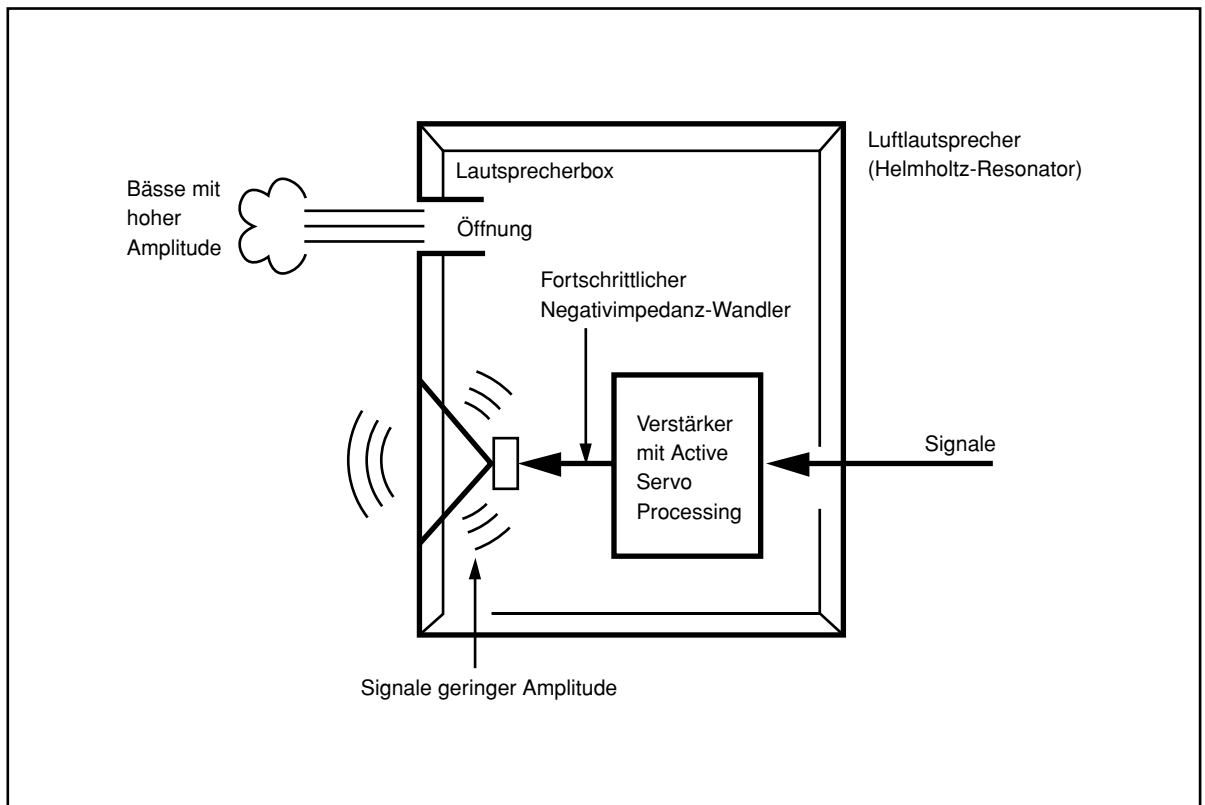
Wird der elektrische Widerstand der Schwingspule auf Null reduziert, käme es in Bezug auf die Signalspannung zu einer linearen Bewegung der Lautsprechermembran. Um diese Reduzierung zu erreichen, wird ein spezieller Verstärker eingesetzt, dessen Ausgangsimpedanz genau

der der Box, jedoch mit umgekehrtem Vorzeichen entspricht.

Diese negative Ausgangsimpedanz ermöglicht die Erzeugung der nötigen Antriebskräfte wodurch hervorragende Tiefbaßwiedergabe und Dämpfungseigenschaften erreicht werden. Durch die Verwendung eines Verstärkers mit Negativimpedanz-Ansteuerung und der Lautsprecherbox mit Helmholtz-Resonator kann dieses System deshalb einen extrem weiten Frequenzbereich mit erstaunlicher Klangqualität und reduziertem Verzerrungsgrad reproduzieren.

Die Kombination der oben beschriebenen Merkmale stellt die grundlegende Konfiguration der herkömmlichen Yamaha Active Servo Technology dar.

Unsere neue Active Servo Technology — Advanced Yamaha Active Servo Technology — wendet fortschrittliche Negativ-Impedanz-Wandler (ANIC) Schaltungen an, die eine dem herkömmlichen Negativimpedanz-Wandler dynamische Variation erlauben, um einen optimalen Wert für Lautsprecherimpedanz-Variationen zu wählen. Mit den neuen ANIC-Schaltungen kann Advanced Yamaha Active Servo Technology stabilere Leistung und verbesserten Schalldruck im Vergleich mit herkömmlicher Yamaha Active Servo Technology erzeugen, wodurch eine natürliche und dynamische Tiefenwiedergabe erzielt wird.



# FEHLERSUCHE

Sehen Sie sich bei Funktionsstörungen dieses Gerätes die unten stehende Tabelle an. Wenn Ihr Problem unten nicht aufgelistet wird oder wenn die unten stehenden Anleitungen keine Abhilfe schaffen, trennen Sie bitte das Netzkabel ab und nehmen Sie Kontakt zu Ihrem autorisierten YAMAHA-Händler oder zu einem Kundendienst-Center auf.

Problem	Ursache	Abhilfe
<b>Keine Stromversorgung bei eingeschalteter Netztaсте STANDBY/ON.</b>	Das Netzkabel ist nicht richtig angeschlossen oder der Netzschalter POWER steht auf der Position OFF.	Schließen Sie das Netzkabel sicher sowohl an die AC IN-Buchse des Subwoofers und als auch an eine Wechselstromsteckdose an oder stellen Sie den POWER-Schalter auf die Position ON.
<b>Keine Tonwiedergabe.</b>	Die Lautstärke ist auf ein Minimum eingestellt.	Erhöhen Sie die Lautstärke.
	Die Lautsprecherkabel sind nicht richtig angeschlossen.	Schließen Sie sie richtig an.
<b>Zu geringer Tonwiedergabepegel.</b>	Die Lautsprecherkabel sind nicht ordnungsgemäß angeschlossen.	Schließen Sie sie ordnungsgemäß an, so dass L (links) an L, R (rechts) an R, "+" an "+" und "-" to "-" angeschlossen ist.
	Der Phasenschalter PHASE ist nicht richtig eingestellt.	Stellen Sie den Phasenschalter PHASE in einen anderen Modus.
	Die wiedergegebene Tonquelle verfügt über keine tiefen Bassfrequenzen.	Geben Sie eine Tonquelle mit Bassfrequenzen wieder. Stellen Sie mit dem Übergangsfrequenzregler HIGH CUT eine höhere Frequenz ein.
	Die Wiedergabe wird durch stehende Wellen beeinflusst.	Stellen Sie den Subwoofer anders auf oder lösen Sie die parallelen Wände durch Aufstellen von Bücherregalen usw. auf.
<b>Der Subwoofer wird nicht automatisch eingeschaltet.</b>	Der Netzschalter POWER steht auf der Position OFF.	Stellen Sie den Netzschalter POWER auf die Position ON.
	Der Subwoofer wurde durch Drücken der STANDBY/ON-Taste in den Bereitschaftsmodus geschaltet. (Die Netzanzeige leuchtet nicht.)	Drücken Sie die STANDBY/ON-Taste, um den Subwoofer wieder einzuschalten.
	Der AUTO STANDBY-Schalter steht auf der Position OFF.	Stellen Sie den AUTO STANDBY-Schalter auf die Position "HIGH" oder "LOW".
	Der Pegel des Eingangssignals ist zu niedrig.	Stellen Sie den AUTO STANDBY-Schalter auf die Position "HIGH".
<b>Der Subwoofer wird unerwartet in die Betriebsbereitschaft geschaltet.</b>	Der Pegel des Eingangssignals ist zu niedrig.	Stellen Sie den AUTO STANDBY-Schalter auf die Position "HIGH".
<b>Der Subwoofer wird unerwartet eingeschaltet.</b>	Es gibt Einwirkungen von Störgeräuschen von externen Geräten.	Stellen Sie den Subwoofer weiter von der Störquelle entfernt auf und / oder verlegen Sie die Lautsprecherkabel anders. Oder stellen Sie den AUTO STANDBY-Schalter auf die Position "OFF".
<b>Der Unterbrecher spricht an.</b>	Der Subwoofer nimmt beim Eingang eines hohen Signalpegels am Subwoofer viel Strom auf.	Senken Sie die Lautstärke am an den Subwoofer angeschlossenen Verstärker usw. oder trennen Sie andere nicht verwendete Geräte vom Netz ab.
<b>Die Fernbedienung funktioniert nicht.</b>	Direktes Sonnenlicht oder starke Beleuchtung (durch eine Wechselrichter-Fluoreszenzlampe usw.) trifft auf den Fernbedienungssensor des Hauptgerätes.	Ändern Sie die Position des Hauptgerätes.
<b>Die Entfernung oder der Bereich, innerhalb derer bzw. dessen die Fernbedienung verwendet werden kann, nimmt ab.</b>	Die Batterien dieser Fernbedienung sind zu schwach.	Tauschen Sie die Batterien durch neue aus.

Deutsch

## Hinweis

Wenn für 5 bis 15 Minuten ein übermäßiger Signalpegel am Subwoofer eingegeben wird, beginnt die Netzanzeige zu blinken, um Sie zu alarmieren und darauf hinzuweisen, dass die Gefahr einer Beschädigung des Leistungsverstärkers und des Lautsprechers in diesem Subwoofer-System besteht. Wenn der Signaleingang für 5 weitere Minuten besteht, schaltet sich der Subwoofer automatisch in den Bereitschaftsmodus.

# TECHNISCHE DATEN

---

**Typ** ..... Advanced Yamaha Active Servo Technology

**Leistungsaufnahme** ..... 250W

**Treiber** ..... 30 cm Konus-Tieftöner  
Magnetisch abgeschirmt

**Leistungsaufnahme im Bereitschaftsmodus** ..... 1,0W

**Verstärker-Ausgangsleistung** ..... 1 kW/5Ω

**Abmessungen (B x H x T)**

..... 420 mm x 511 mm x 448 mm

**Frequenzgang** ..... 16 Hz–160 Hz (–10 dB)

**Gewicht** ..... 29 kg

**Stromversorgung**

**USA- und Kanada-Modell** ..... Netzstrom 120V, 60 Hz

**GB- und Europa-Modell** ..... Netzstrom 230V, 50 Hz

**Australien-Modell** ..... Netzstrom 240V, 50 Hz

**Koreanische Modell** ..... Netzstrom 220V, 50 Hz

\* Änderungen vorbehalten.

## OBSERVERA: Läs dessa anvisningar innan högtalaren börjar användas.

Läs igenom följande försiktighetsåtgärder innan högtalarna tas i bruk. YAMAHA kan inte hållas ansvarig för personskador eller materiella skador som uppstår som följd av att försiktighetsåtgärderna nedan inte följs.

- Läs denna bruksanvisning noggrant för att få ut det mesta av högtalarens fina prestanda. Bevara anvisningarna för framtida referens.
- Installera denna enhet på ett svalt, torrt och rent ställe - på avstånd från fönster, värmekällor, mycket vibrationer, damm, fukt och kyla. Undvik bruskällor (transformatorer, elmotorer). Denna enhet får inte utsättas för regn och våta vid risk för brand och elektrisk stöt.
- Öppna aldrig höljet. Kontakta återförsäljaren om främmande föremål skulle hamna inuti högtalaren.
- Nätspänningen skall vara samma som den spänning som anges på baksidan. Det är farligt att använda denna enhet med högre spänning än vad som anges, eftersom det kan resultera i brand och/eller elektrisk stöt.
- Utsätt inte denna komponent för regn och fukt för att undvika riskerna för brand och elektriska stötar.
- Använd inte onödigt våld på kontroller eller anslutningskablar. Lossa först nätsladden och kablar anslutna till andra komponenter när högtalaren skall flyttas. Dra aldrig i själva kablarna.
- Dra ut stickkontakten från nätuttaget om högtalaren inte ska användas en längre tid (under semestern t ex).
- Dra ut stickkontakten vid åskväder för att undgå skador vid blixtnedslag.
- Eftersom högtalaren har en inbyggd effektförstärkare kommer värme att stråla ut från bakpanelen. Ställ högtalaren på avstånd från väggarna och se till så att det finns ett tillräckligt utrymme ovanför, bakom och på båda sidorna om högtalaren för att förhindra brand eller skador. Dessutom skall du inte placera högtalaren med bakpanelen riktad mot golvet eller andra ytor.  
Se till så att det finns ett fritt utrymme på minst 20 cm ovanför, bakom samt på båda sidorna om högtalaren.
- Täck inte över baksidan av denna enhet med en tidning, en duk eller en gardin, detta för att inte förhindra värmebortledningen. Om temperaturen inne i enheten stiger, kan resultatet bli en brand, skador på enheten och/eller personskador.
- Lägg inte mindre metallföremål på denna enhet. Det finns risk att föremålen trillar ned och orsakar skador.
- Ställ inte följande saker ovanpå denna enhet:  
Glas, porslin, etc.  
Om glas, etc., faller i golvet och går sönder på grund av vibrationer, kan resultatet bli personskador.  
Ett brinnande ljus, etc.  
Om ljuset faller i golvet på grund av vibrationer, kan resultatet bli en brand och personskador.  
En behållare med vätska  
Om behållaren stjälpes på grund av vibrationer och vätskan spills ut, kan enheten skadas och/eller du kan få en elstöt.
- Ställ inte denna enhet på en plats där främmande föremål eller vätskor kan trilla ned på den. Detta kan resultera i brand, skador på denna enhet och/eller personskador.
- Placera aldrig något skört föremål nära YST-porten på denna enhet. Om föremålet faller ned av sig självt eller på grund av lufttrycket från porten, kan detta leda till skador på denna enhet och/eller personskador.
- Sätt aldrig in en hand eller ett främmande föremål i YST-porten som sitter på enhetens framsida. När du flyttar enheten, skall du inte fatta tag i porten, därför att det kan leda till personskador och/eller skador på själva enheten.
- Öppna aldrig högtalarlådan. Det kan leda till elstötar, därför att denna enhet använder höga spänningar. Det kan också leda till personskador och/eller skador på själva enheten.
- Vid bruk av en luftfuktare skall du undvika att kondens bildas inuti denna enhet genom att se till att det finns tillräckligt fritt utrymme kring denna enhet eller undvika att det blir alltför fuktigt i rummet. Kondens kan resultera i brand, skador på denna enhet och/eller elektrisk stöt.
- Superbasfrekvenser som genereras av denna högtalare kan göra att skivspelare ger ifrån sig ett tjutljud. Om detta sker, flytta högtalaren längre bort från skivspelaren.
- Denna enhet kan skadas, om vissa ljud utmatas kontinuerligt med hög ljudnivå. Om till exempel sinusvågor på 20 Hz–50 Hz från en testskiva, basljud från elektroniska instrument, etc., matas ut kontinuerligt, eller när nålen till en vanlig skivspelare träffar skivan, skall du sänka ljudnivån för att undvika att denna enhet skadas.
- Om du hör att distorsionsstörningar (t.ex. onaturligt smattrande eller hamrande ljud) kommer från denna högtalare, skall du sänka ljudnivån. Dina högtalare kan skadas om du avspelar basfrekvenserna på en films ljudspår, tunga basljud eller liknande kraftiga popmusikpassager med för hög ljudnivå.
- Vibrationer som genereras av superbasfrekvenser från denna högtalare kan orsaka bildstörningar på en närstående teve. Placera i så fall högtalaren på längre avstånd från teven.
- Rengör aldrig denna enhet med kemiska lösningar: det kan skada dess ytfinish. Använd en ren, torr trasa.
- Se till att du läser avsnittet "FELSÖKNING" vid vanliga manövreringsfel, innan du drar slutsatsen att det föreligger något fel på högtalaren.
- **Köparen är själv ansvarig för stabil placering och installation.**  
**YAMAHA kan inte ställas till ansvar för några som helst skador som uppstår på grund av felaktig placering eller installation av denna högtalare.**

### Beredskapsläge

När du stänger av denna högtalare genom att trycka in STANDBY/ON-tangenten på högtalarens framsida, förbrukar den fortfarande en mycket liten strömmängd. Detta tillstånd kallas beredskapsläget. Strömmatningen till högtalaren är helt avskuren från elnätet endast när strömbrytaren (POWER) är ställd i OFF-läge eller apparatens nätkabel lossas från vägguttaget.

Högtalaren har en magnetiskt avskärmd uppbyggnad. Det finns dock risk för att högtalaren påverkar färgerna på tevebilden, om den placeras alltför nära en teve. Placera i så fall högtalaren på längre avstånd från teven.

# INNEHÅLL

---

## KONTROLL AV TILLBEHÖREN

..... Insidan av främre omslaget

**OBSERVERA** ..... 1

**EGENSKAPER** ..... 2

**PLACERING** ..... 3

**ANSLUTNINGAR** ..... 4

Anslutning till linjeutgångarna  
(stiftkontakter) på förstärkaren ..... 4

Anslutning till förstärkarens  
högtalaranslutningar ..... 6

Anslutning till högpassfilterutgångarna  
(H.P.F. OUTPUT) ..... 8

Jordanslutning ..... 10

Anslutning av nätkabeln ..... 11

## ANMÄRKNINGAR ANGÅENDE

**FJÄRRKONTROLLEN** ..... 11

**REGLAGE OCH DERAS FUNKTIONER**... 12

**FUNKTION FÖR AUTOMATISK  
PÅSLAGNING/AVSTÄNGNING** ..... 14

**JUSTERING AV SUBWOOFER-  
HÖGTALAREN INNAN DEN ANVÄNDS** ... 15

Lagra inställningarna för ljudstyrke-  
kontrollen (VOLUME) osv. .... 16

Frekvenskaraktäristika ..... 17

**ADVANCED YAMAHA ACTIVE SERVO  
TECHNOLOGY** ..... 18

**FELSÖKNING** ..... 19

**TEKNISKA DATA** ..... 20

---

## EGENSKAPER

---

- Denna subwooferhögtalare använder sig av den aktiva servoteknik (Advanced YAMAHA Active Servo Technology) som YAMAHA utvecklat för återgivning av djup bas med hög kvalitet. (Se sid 18 för mer information om denna teknik.) Med denna djupa bas kan ett mer realistiskt, biosalongsliknande ljud uppnås från en vanlig hemstereoanläggning.
- Denna subwooferhögtalare kan lätt kopplas till en existerande ljudanläggning genom att ansluta den antingen till högtalaranslutningarna eller till linjeutgångarna (stiftkopplingar) på förstärkaren.
- För effektiv användning av subwooferhögtalaren, måste subwooferhögtalarens djupa bas matcha ljudet från dina huvudhögtalare. Du kan skapa en optimal ljudkvalitet för olika lyssningsmiljöer genom att använda HIGH CUT-kontrollen och PHASE-tangenten.
- Du kan ändra och justera subwooferhögtalarens frekvenssvar utan att behöva flytta dig från lyssningsplatsen.
- Högtalaren har automatisk påslagning/avstängning, vilket gör att STANDBY/ON-tangenten inte behöver tryckas in varje gång strömmen ska kopplas på eller av.
- Med hjälp av B.A.S.S.-tangenten kan du välja den baseffekt som bäst passar källan.
- När förstärkaren ansluts via H.P.F. OUTPUT-anslutningarna är det möjligt att ytterligare förbättra högtalarnas ljudåtergivning. Denna anslutning motverkar att ljudet från huvudhögtalarna blir oklart tack vare bortfiltrering av lågfrekvenssignaler från signalen, som tas emot och sänds till huvudhögtalarna, vilka inte är lämpliga för att återge djup bas.

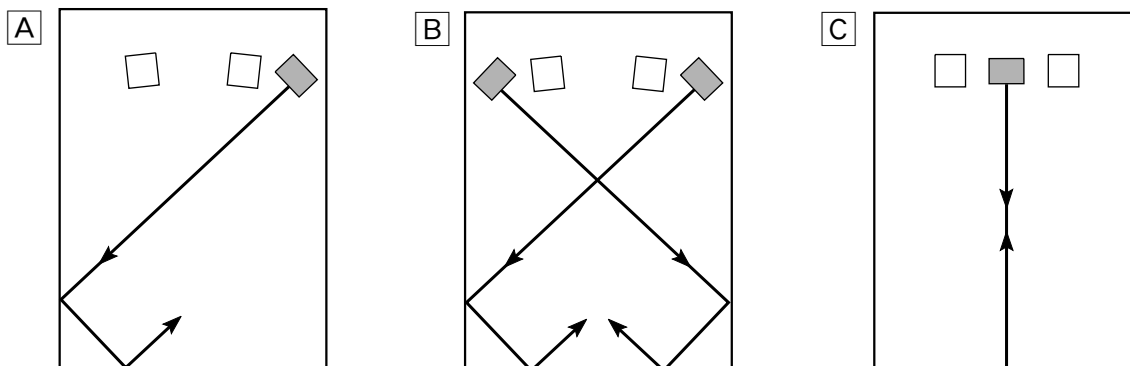
**QD-Bass**  
TECHNOLOGY



### QD-Bass-teknologi

QD-Bass- (Quatre Dispersion Bass) teknologin använder fyrkantiga pyramidformade reflexionsskivor för att reflektera ljudet i fyra horisontella riktningar.



# PLACERING



(  : subwoofershögtalare,  : huvudhögtalare)

En subwoofershögtalare är tillräcklig för att ge ett basljud med god effekt i en ljudanläggning. Vi rekommenderar dock användning av två subwoofershögtalare för att ytterligare förstärka baseffekten.

När en subwoofershögtalare används, rekommenderas det att den placeras utanför antingen höger eller vänster huvudhögtalare. (Se fig. [A](#).) När två subwoofershögtalare används, rekommenderas det att de placeras utanför varje huvudhögtalare. (Se fig. [B](#).) Placeringen som visas i fig. [C](#) är också möjlig, men om subwoofersystemet placeras direkt riktad mot väggen kan baseffekten möjligen försvinna, därför att systemets eget ljud och ljudet som reflekteras mot väggen kan upphäva varandra. För att undvika att detta händer, rikta subwoofersystemet i en vinkel så som visas i fig. [A](#) eller [B](#).

## Anmärkning

Det kan hända att du inte erhåller tillräckligt djup bas subwoofershögtalaren när du lyssnar i mitten av rummet. Detta beror på att "stående vågor" har utvecklats mellan två parallella väggar och därför eliminerar basljudet. I dylika fall, rikta enheten snett mot väggen. Det kan också vara nödvändigt att bryta upp parallelliteten mellan ytorna genom att placera ut bokhyllor o.likn. utefter väggarna.

# ANSLUTNINGAR

## Försiktigt: Anslut subwooferhögtalaren och andra audio-/videoapparater efter att samtliga andra anslutningar är klara.

- Alla anslutningar måste utföras korrekt, det vill säga L (vänster) till L, R (höger) till R, "+" till "+" och "-" till "-". Se också bruksanvisningen för var och en av dina apparater.
- Subwooferhögtalaren kan anslutas till antingen linjeutgångarna (stiftkontakter) eller högtalaranslutningarna på förstärkaren. Välj en av de metoder som visas i detta avsnitt beroende på vilken som passar bäst för din ljudanläggning. Vi hänvisar också till bruksanvisningen för den komponent som ska anslutas till subwooferhögtalaren. Normalt ska du ansluta subwooferhögtalaren till linjeutgångarna (stiftkontakter) på förstärkaren. (Se sid 4 och 5 för ytterligare upplysningar.) Om din förstärkare inte har någon linjeutgång, ska du ansluta subwooferhögtalaren till högtalaranslutningarna på förstärkaren. (Se sid 6 och 7 för ytterligare upplysningar.)

## Anslutning till linjeutgångarna (stiftkontakter) på förstärkaren

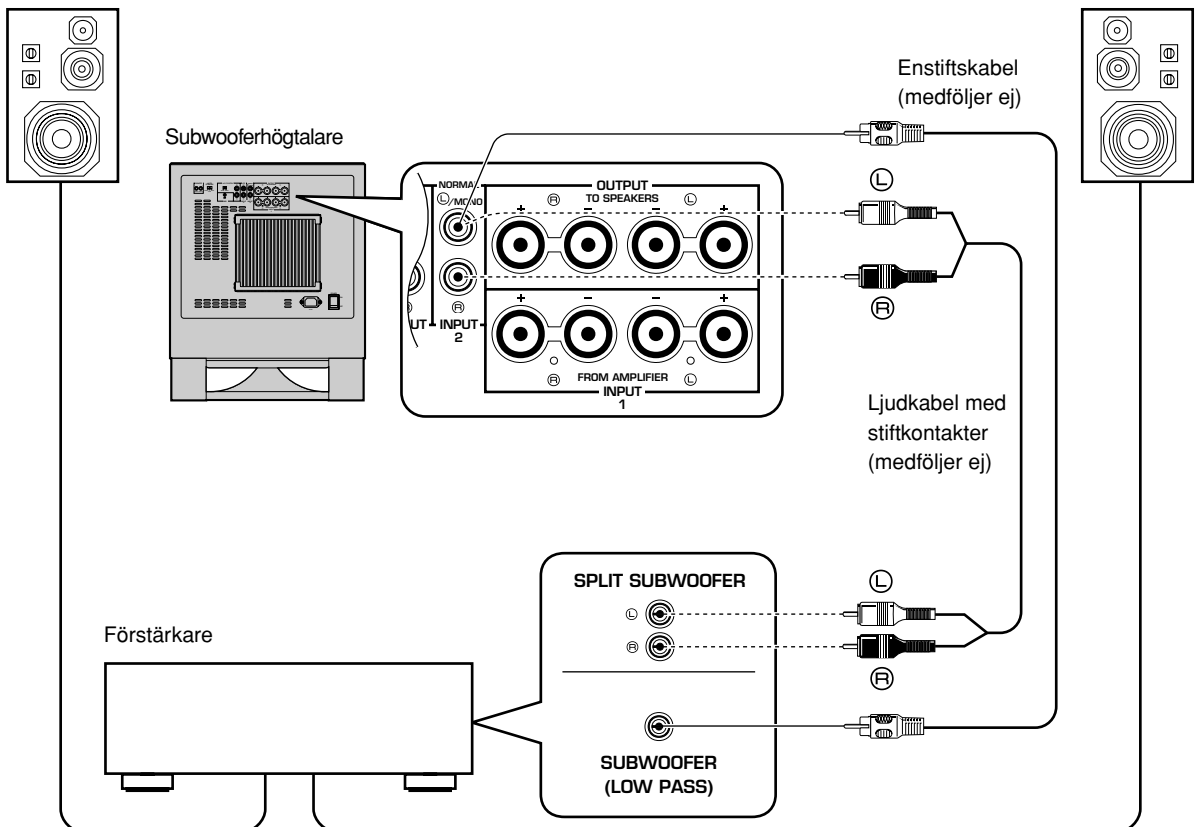
Anslut huvudhögtalarna till högtalaranslutningarna på förstärkaren.

- Vid anslutning till en YAMAHA DSP-förstärkare (eller AV-receiver), ska du ansluta mellan anslutningen SUBWOOFER (eller LOW PASS osv.) på DSP-förstärkarens (eller AV-receiverns) baksida och anslutningen ①/MONO INPUT2 på subwooferhögtalaren.
- Vid anslutning av subwooferhögtalaren till SPLIT SUBWOOFER-anslutningen på baksidan av DSP-förstärkaren, ska du vara noga med att ansluta anslutningen ①/MONO INPUT2 till "L"-sidan och anslutningen ② INPUT2 till "R"-sidan av SPLIT SUBWOOFER-anslutningen.

## ■ Användning av en subwooferhögtalare

Höger huvudhögtalare

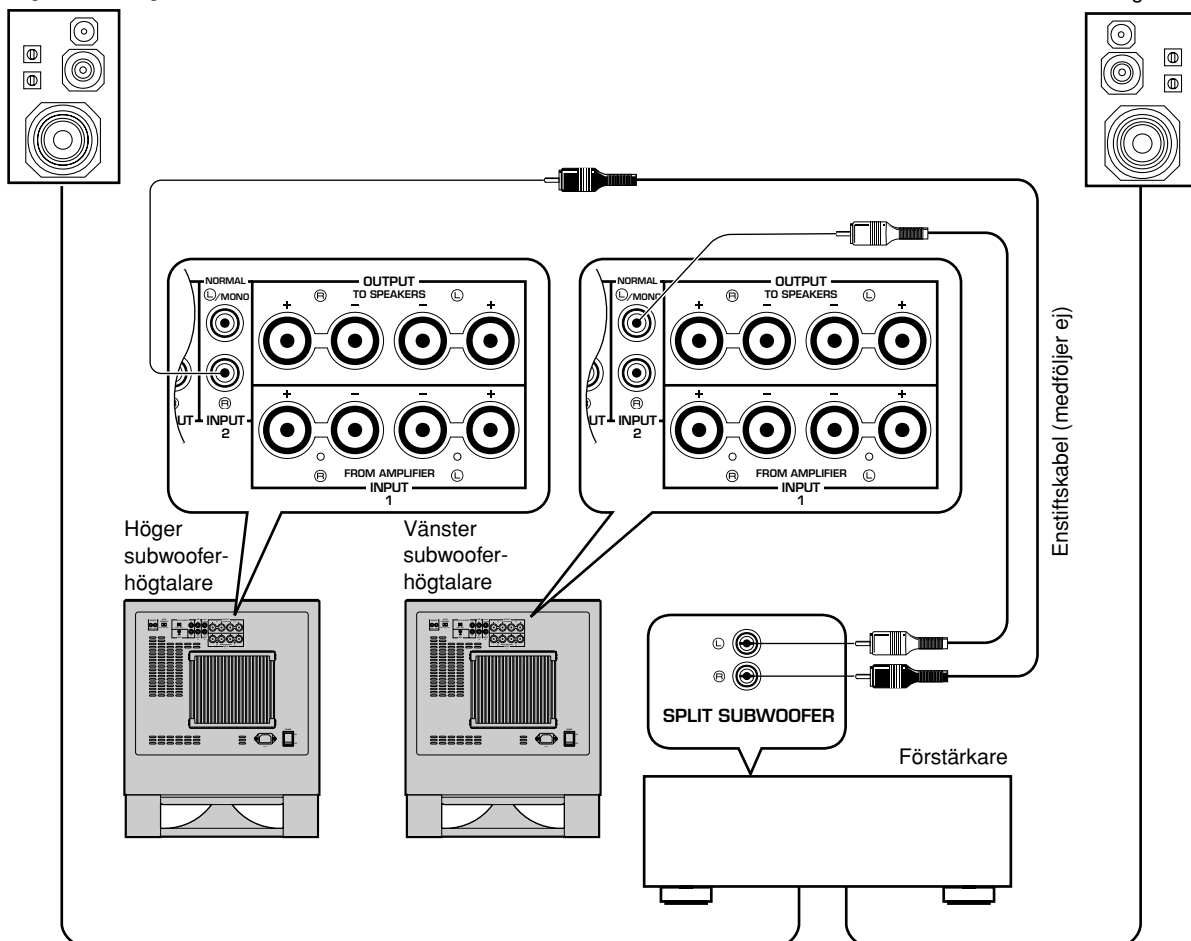
Vänster huvudhögtalare



## ■ Användning av två subwooferhögtalare

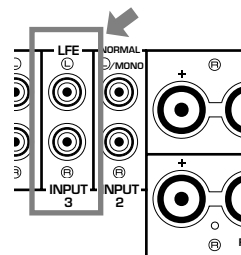
Höger huvudhögtalare

Vänster huvudhögtalare



## ■ Anslutning till LFE (INPUT3)-anslutningarna

Om din förstärkare kan separera höga frekvenser från signalerna som sänds till subwooferhögtalaren, ska du ansluta förstärkaren till subwooferhögtalarens LFE (INPUT3)-anslutningar. Detta förbättrar ljudkvaliteten, eftersom signalvägen i subwooferhögtalaren förkortas tack vare att signalerna inte behöver passera den inbyggda HIGH CUT-kretsen.



### Anmärkningar

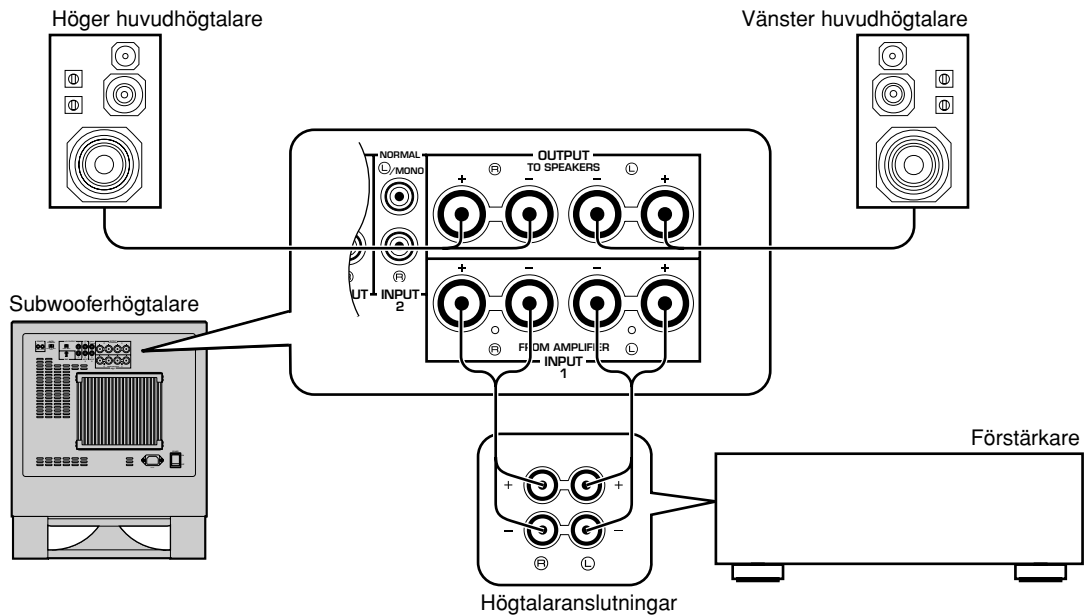
- Vissa förstärkare har linjeutgångar som är märkta PRE OUT. När du ansluter subwooferhögtalaren till PRE OUT-anslutningarna på förstärkaren, ska du kontrollera att förstärkaren har minst två par PRE OUT-anslutningar. Om förstärkaren endast har en uppsättning PRE OUT-anslutningar, ska du inte ansluta subwooferhögtalaren till PRE OUT-anslutningarna. Anslut i stället subwooferhögtalaren till högtalaranslutningarna på förstärkaren. (Se sid 6 och 7.)
- När anslutning sker till en monolinjeutgång på förstärkaren, anslut till anslutningen L/MONO INPUT2.
- När anslutning görs till förstärkarens linjeutgångar bör andra högtalare inte anslutas till OUTPUT-anslutningarna på subwooferhögtalarens bakpanel. Om detta görs kommer de inte att ge ifrån sig något ljud.

# Anslutning till förstärkarens högtalaranslutningar

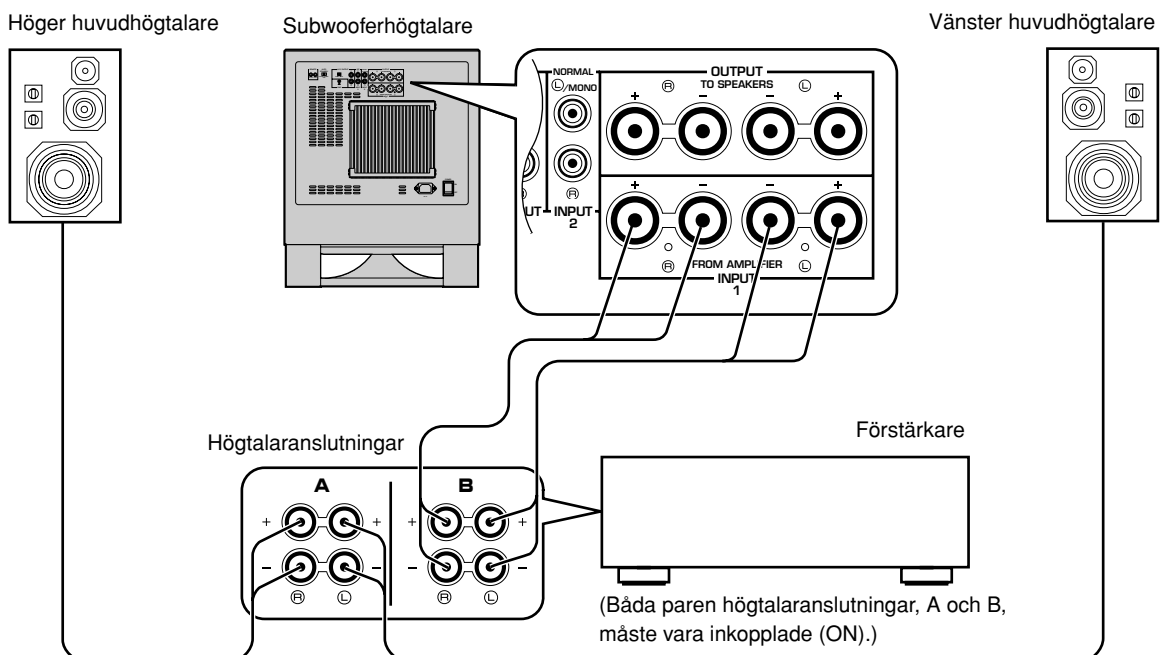
## ■ Användning av en subwooferhögtalare

### Om din förstärkare endast har anslutningar för ett par huvudhögtalare

Anslut mellan förstärkarens högtalaranslutningar och INPUT1-anslutningarna på subwooferhögtalaren, och anslut mellan OUTPUT-anslutningarna på subwooferhögtalaren och huvudhögtalarna.

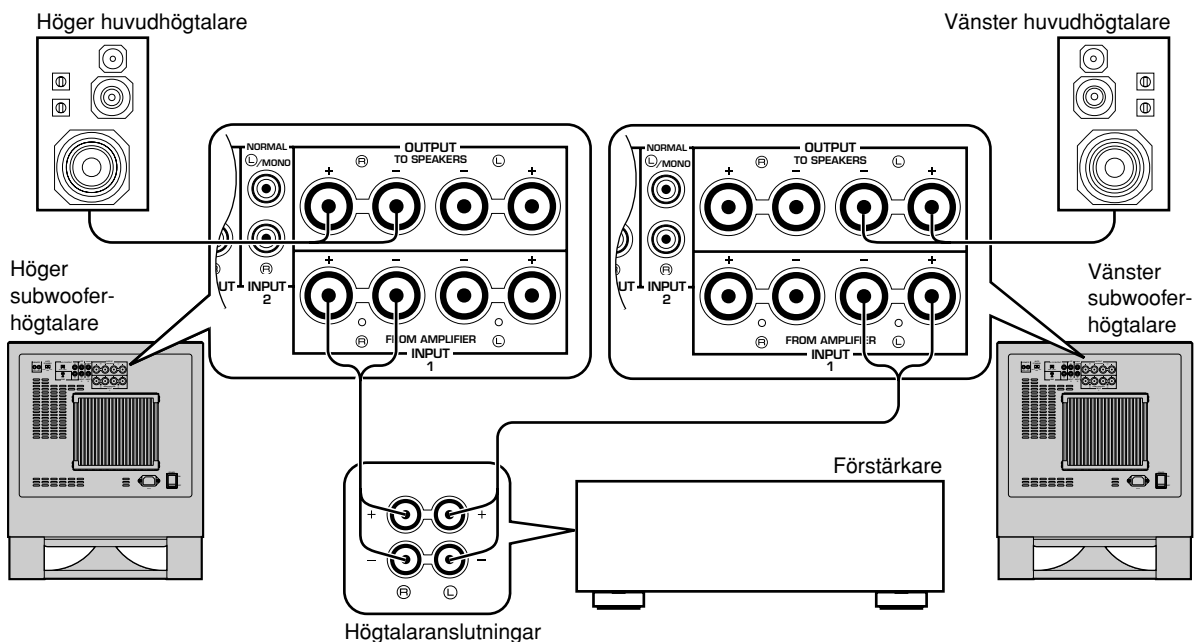


### Om förstärkaren har två par högtalaranslutningar



## ■ Användning av två subwooferhögtalare

Anslut mellan förstärkarens högtalaranslutningar och INPUT1-anslutningarna på subwooferhögtalaren, och anslut mellan OUTPUT-anslutningarna på subwooferhögtalaren och huvudhögtalarna.



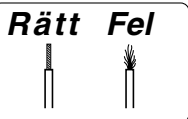
Svenska

## Anslutning till subwooferhögtalarens INPUT1/OUTPUT-anslutningar

Vid anslutningen ska du göra högtalarkablarna så korta som möjligt. Bunta inte ihop eller rulla upp för långa kablar. Om anslutningarna görs fel hörs det inget ljud från subwooferhögtalaren och/eller de vanliga högtalarna. Se till att + och – på högtalarkablarna ansluts rätt. Om polariteten omkastas blir ljudåtergivningen onaturlig med dålig bas.

### Anslutningsmetod:

Röd: positiv (+)  
Svart: negativ (–)



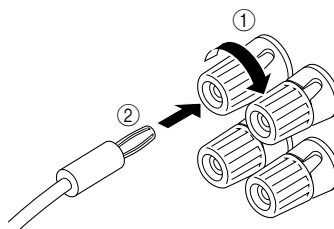
- ① Lossa skruvanslutningen.
- ② Sätt i den nakna högtalartråden. [Skala först av ca. 10 mm av isoleringen på högtalarkablarna.]
- ③ Dra åt skruvanslutningen så att kabeln sitter säkert.

### Försiktigt

Se till att de nakna högtalarkablarna inte rör vid varandra, eftersom detta kan skada både subwooferhögtalaren och förstärkaren.

<Endast för modeller för USA, Kanada, Australien och Korea>

Banankontakter kan också användas.



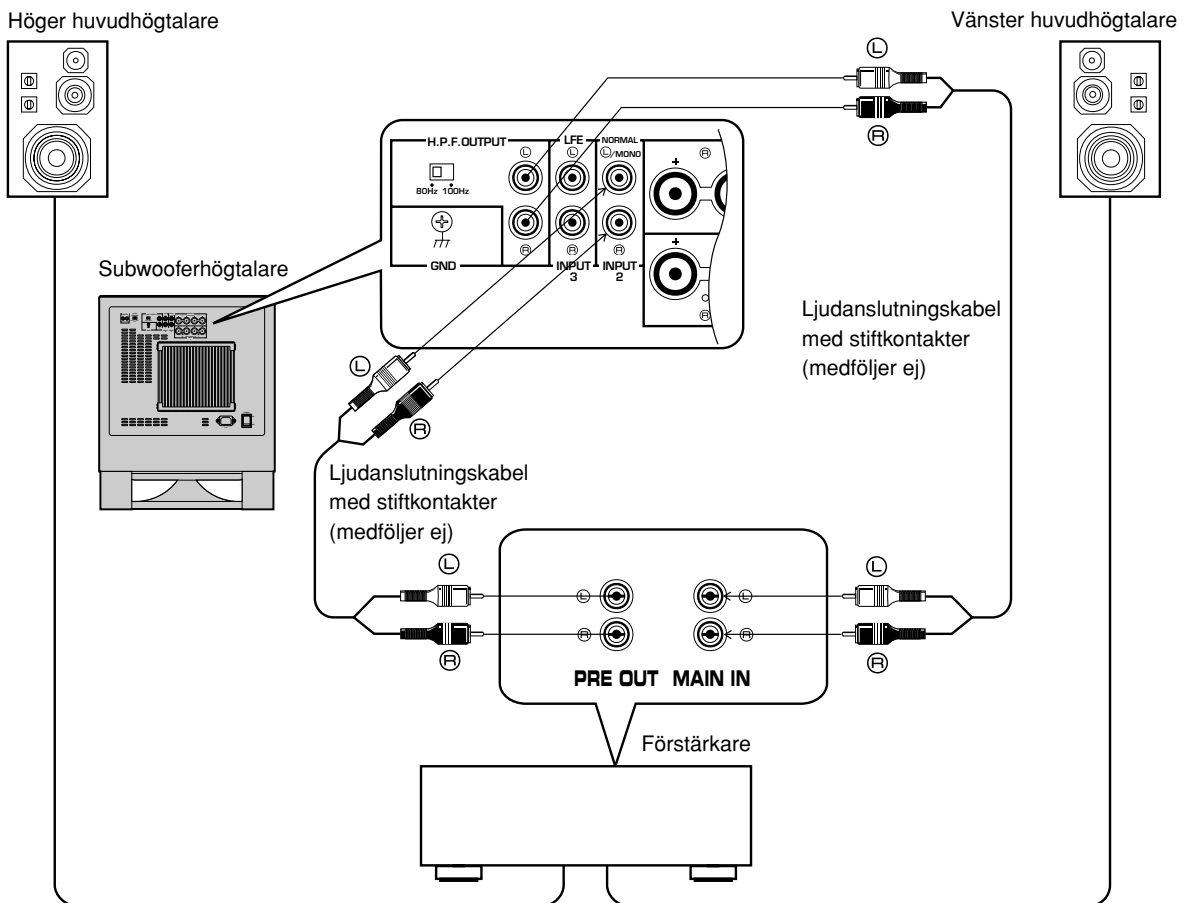
- ① Dra åt skruvanslutningen.
- ② Stick in banankontakten i anslutningen.

## Anslutning till högpasfilterutgångarna (H.P.F. OUTPUT)

När förstärkaren ansluts via H.P.F. OUTPUT-anslutningarna är det möjligt att ytterligare förbättra högtalarnas ljudåtergivning. H.P.F. (High Pass Filter) OUTPUT-anslutningarna på subwoofershögtalaren filtrerar bort frekvenser under en inställd frekvensgräns från de signaler som tas emot, och endast höga frekvenser sänds vidare. Om dessa anslutningar ansluts till MAIN IN-anslutningarna på förstärkaren, återger huvudhögtalarna endast de höga frekvenserna. Detta gör den allmänna ljudåtergivningen tydligare, eftersom resonans och oklarhet mellan huvudhögtalarna och subwoofershögtalare förhindras.

\* Denna anslutning kan göras om din förstärkare har PRE OUT- och MAIN IN-anslutningar eller om du använder separata förstärkare (förförstärkare och slutsteg).

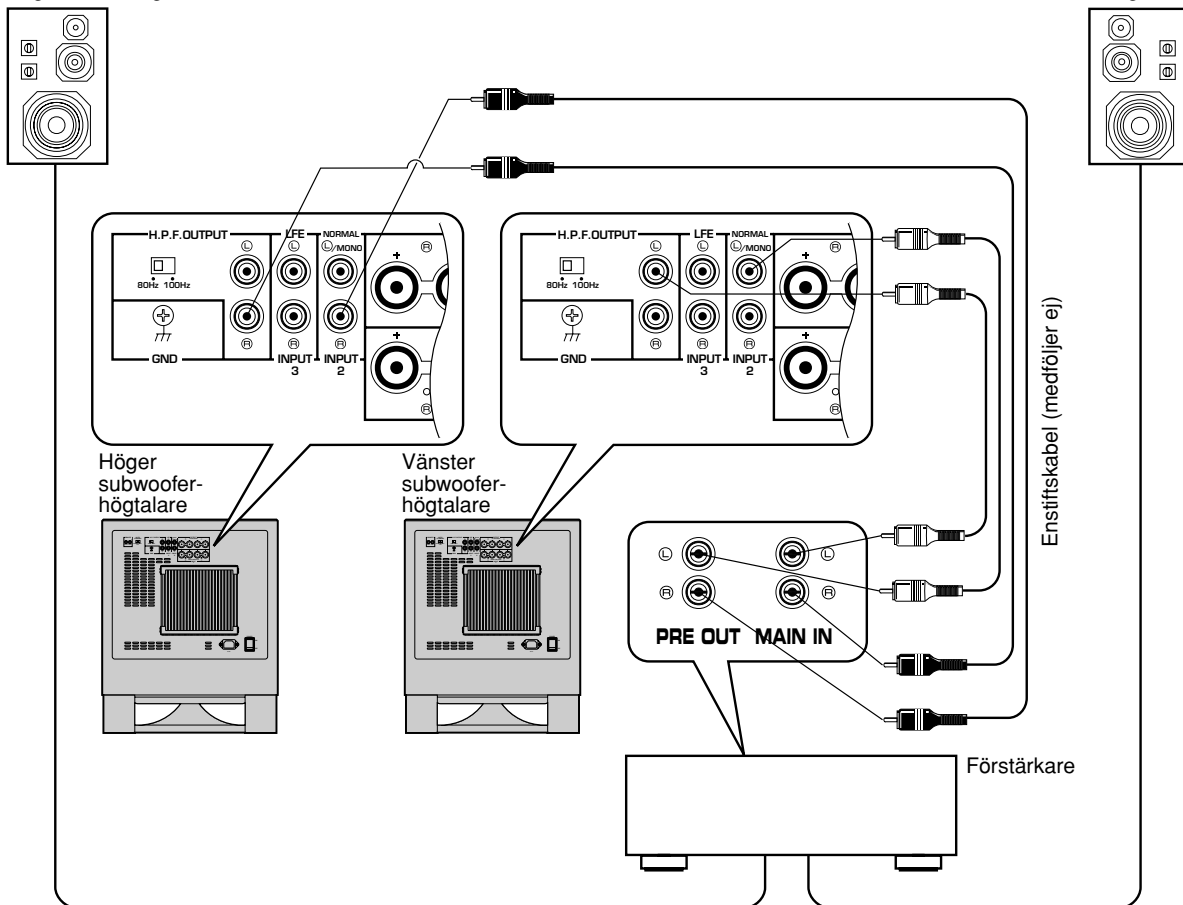
### ■ Anslutning av enbart en enhet



## ■ Anslutning av två enheter

Höger huvudhögtalare

Vänster huvudhögtalare

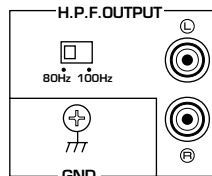


## Omkoppling av H.P.F. OUTPUT-omkopplaren

När alla anslutningar har gjorts, ska du välja önskad delningsfrekvens (80 Hz eller 100 Hz) med **H.P.F. OUTPUT**-omkopplaren.

(Normalt sett bör delningsfrekvensen ställas in så nära dina huvudhögtalares lägsta återgivningsgräns.)

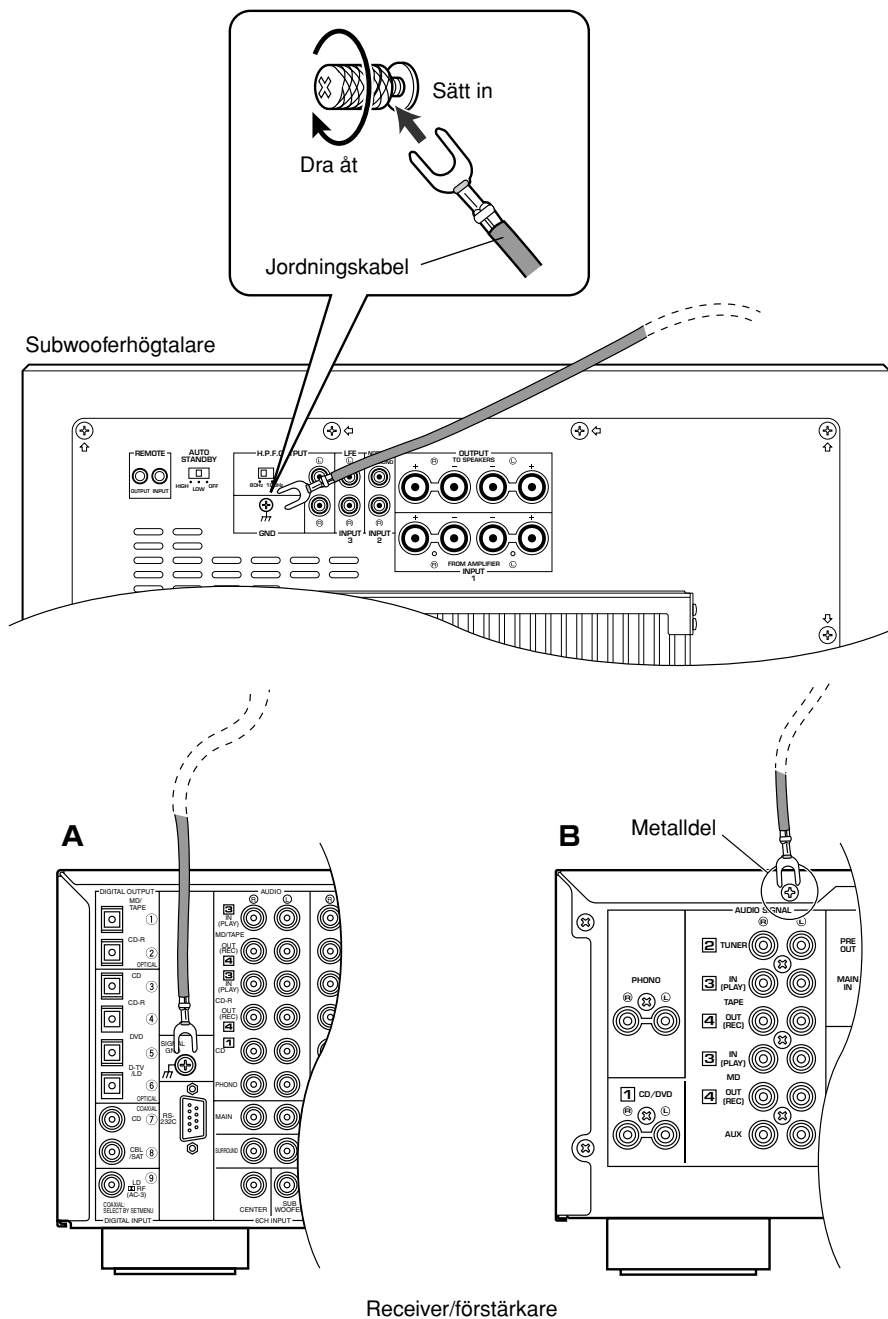
Frekvenser över den valda delningsfrekvensen sänds vidare från **H.P.F. OUTPUT**-anslutningarna.



## Jordanslutning

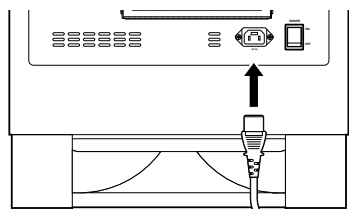
Om det hörs brum i ljudet när du använder subwooferhögtalaren och denna har anslutits via högtalanslutningarna, ska du ansluta subwooferhögtalaren och receivern/förstärkaren med en jordningskabel som bild A visar.

\* Om receivern/förstärkaren inte har någon jordanslutning (GND), ska du istället skruva fast jordningskabeln under en av skruvarna som håller fast övre kåpan på receivern/förstärkaren på bakpanelen. Se bild B.



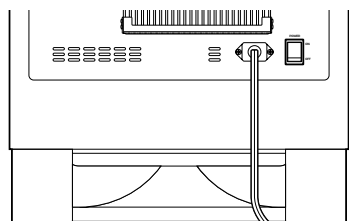


## Anslutning av nätkabeln



(USA-modellen)

Till eluttag



(Modellen för Storbritannien)

Till eluttag

### <Modeller för USA, Kanada, Europa och Korea>

När alla anslutningar har gjorts, ska du ansluta den medföljande nätkabeln till subwooferhögtalarens AC IN-anslutning och ansluta stickproppen till ett eluttag i väggen.

#### Anmärkningar

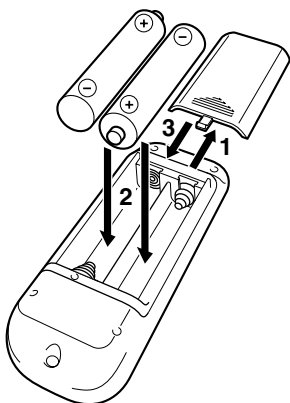
- Anslut inte någon annan kabel än den nätkabel som följer med subwooferhögtalaren. I annat fall finns det risk för brand eller elektriska stötar.
- Anslut inte den medföljande nätkabeln till någon annan enhet än denna subwoofer.

### <Modeller för Storbritannien och Australien>

Anslut subwooferhögtalaren till eluttaget.

## ANMÄRKNINGAR ANGÅENDE FJÄRRKONTROLLEN

### Illäggning av batterier



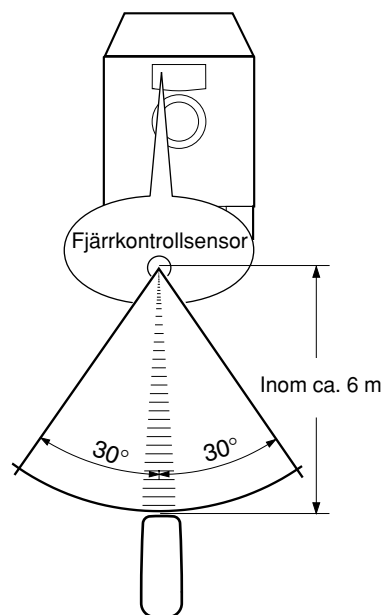
#### Batteribyte

Om du märker att fjärrkontrollen endast fungerar på mycket nära avstånd från apparaten betyder det att batterierna är svaga. Byt ut bägge batterier mot nya.

#### Anmärkningar

- Använd endast batterier av typ AA, R6, UM-3 när batterierna byts.
- Se till att polariteterna vänder rätt. (Se märkningen inuti batterifacket.)
- Ta ut batterierna om fjärrkontrollen inte ska användas i lång tid.
- Om batterierna börjar läcka ska du ta ut dem direkt. Undvik att röra det material som har läckt ut, och försök se till att det inte fastnar på kläder e.d. Rengör batterifacket noggrant innan du sätter i nya batterier.

### Fjärrkontrollens funktionsområde

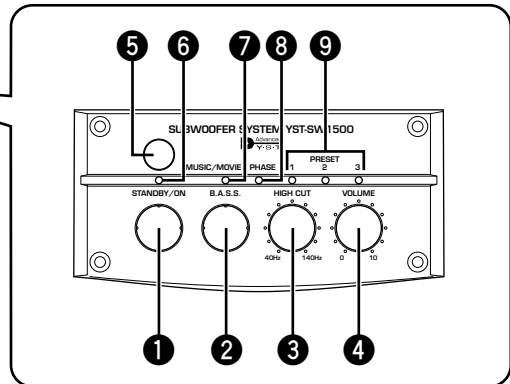
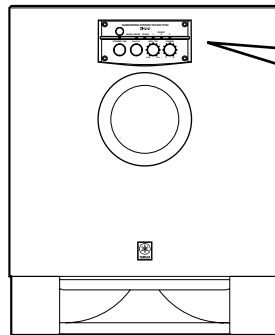


#### Anmärkningar

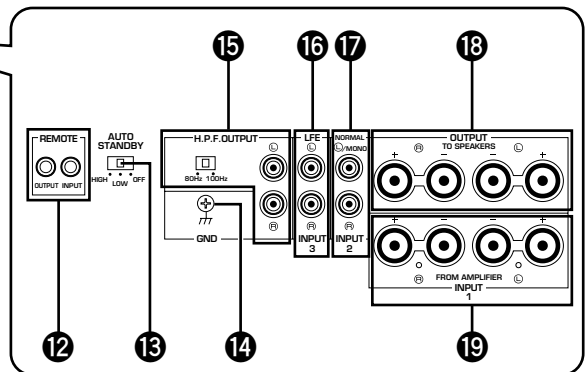
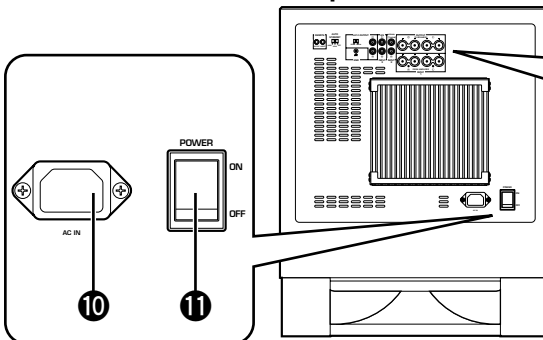
- Se till att det inte finns några stora hinder mellan fjärrkontrollen och huvudenheten.
- Om fjärrkontrollens sensor utsätts för starkt ljus (särskilt lysrörljus e.likn.) kan det förorsaka att fjärrkontrollen inte fungerar som den ska. Flytta i detta fall på huvudapparaten för att undvika att starkt ljus faller på sensorn.

# REGLAGE OCH DERAS FUNKTIONER

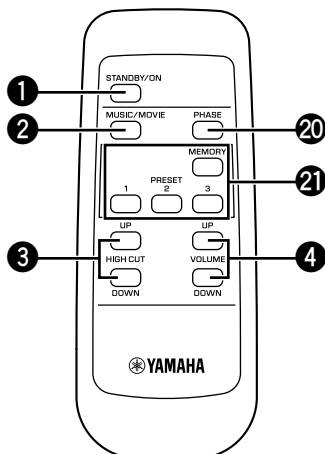
## Frampanel



## Bakpanel



## Fjärrkontroll



- 1 **Strömbrytare (STANDBY/ON)**  
Tryck på tangenten för att slå på strömmen. Tryck en gång till för att ställa subwooferhögtalaren i beredskapsläget.  
\* Tangenten kan endast användas när strömbrytaren **POWER** (1) står på ON.

Beredskapsläge  
Subwooferhögtalaren drar fortfarande en liten mängd ström i detta läge.

- 2 **B.A.S.S.-omkopplare**  
**MUSIC/MOVIE**-tangent  
Om du trycker på denna omkopplare och väljer MOVIE-läget kan du skapa ett basljud som passar bra för videofilmer. Om du trycker på denna omkopplare för att välja MUSIC-läget kan du skapa ett basljud som passar bra för musikprogram.
- 3 **Högpasskontroll (HIGH CUT)**  
Justerar högpassfiltrets delningsfrekvens (**HIGH CUT UP/DOWN**)  
Välj den övre gränsen för frekvenserna som ska återskapas av subwoofern.  
Du kan justera kontrollen på frontpanelen genom att sätta ett mynt e.lkn. i springan och vrida kontrollen.

- 4** Ljudstyrkekontroll (**VOLUME**)  
Upp-/nedtangenter för ljudstyrkan (**VOLUME UP/DOWN**)  
Justerar ljudstyrkenivån. Vrid kontrollen medsols eller tryck på **UP**-tangenter för att höja ljudstyrkenivån. Vrid kontrollen motsols eller tryck på **DOWN**-tangenter för att sänka ljudstyrkenivån.  
Du kan justera kontrollen på frontpanelen genom att sätta ett mynt e.lkn. i springan och vrida kontrollen.
- 5** Fjärrkontrollsensor  
Tar emot signalerna från fjärrkontrollen.
- 6** Driftindikator  
Indikatorn lyser grönt när subwooferhögtalaren är på. Indikatorn lyser rött när subwooferhögtalaren kopplats till beredskapsläget av funktionen för automatisk påslagning/avstängning.
- 7** **MUSIC/MOVIE**-indikator  
Indikatorn lyser rött när **MUSIC**-läget har valts och grönt när **MOVIE**-läget har valts.
- 8** Fasindikator (**PHASE**)  
Indikatorn lyser rött när **PHASE**-omkopplaren (Ⓜ) står i normalläget, och den lyser grönt när fasgången har reverserats.
- 9** Förinställningsindikatorer (**PRESET 1/2/3**)  
Visar vilket förinställningsnummer (**PRESET 1, 2** eller **3**) som har valts.  
(Om subwooferhögtalaren har ställts i beredskapsläget då en av dessa indikatorer lyste, tänds ingen av indikatorerna nästa gång subwooferhögtalaren slås på.)
- 10** Nätingång (**AC IN**)  
**<Endast modeller för USA, Kanada, Europa och Korea>**  
Anslut den medföljande nätkabeln till detta uttag. Anslut inte någon annan kabel till detta uttag än den nätkabel som följer med enheten. Anslut inte heller den medlevererade nätkabeln till någon annan enhet.
- 11** Strömbrytare (**POWER**)  
Låt normalt sett strömbrytaren stå på **ON** för att använda subwooferhögtalaren. I detta läge kan subwooferhögtalaren sättas på och ställas i beredskapsläget med **STANDBY/ON** (Ⓛ)-tangenter. Ställ strömbrytaren på **OFF** för att helt bryta strömförsörjningen från nätet.
- 12** Fjärrkontrollanslutningar (**REMOTE**)  
Dessa anslutningar används för specialinställning av systemet. När subwooferhögtalaren har anslutits till andra komponenter i en avancerad installation, kan subwooferhögtalaren styras med systemfjärrkontrollen.
- 13** Omkopplare för automatiskt beredskapsläge [**AUTO STANDBY (HIGH/LOW/OFF)**]  
Vanligtvis bör denna omkopplare stå på **OFF**. När omkopplaren ställs i läget **HIGH** eller **LOW**, fungerar subwooferhögtalarens automatiska påslagning/avstängning enligt vad som förklaras på sid 14. Om du inte kommer att använda denna funktion ska du låta omkopplaren stå i läget **OFF**.
- 14** Jordanslutning (**GND**)  
Genom att ansluta denna anslutning till jordanslutningen (**GND**) på receiveern/förstärkaren kan man reducera brum i ljudåtergivningen. (Se sid 10.)
- 15** Omkopplare för högpasfilterutgångar (**H.P.F. OUTPUT**)  
Väljer den övre gränsen för frekvenserna som ska kapas från signalerna som sänds via **H.P.F. OUTPUT**-uttagen. Använd endast denna omkopplare när **H.P.F. OUTPUT**-anslutningarna har anslutits till förstärkaren. (Se sid 8 för ytterligare upplysningar.)  
**Högpasfilterutgångar (H.P.F. OUTPUT)**  
Dessa anslutningar filtrerar bort frekvenser under en inställd frekvensgräns, som valts med **H.P.F. OUTPUT**-omkopplaren, från de signaler som tas emot, och endast höga frekvenser sänds vidare.
- 16** LFE-linjeingångar [**INPUT3 (LFE)**]  
**HIGH CUT**-kontrollen (Ⓢ) påverkar inte de signaler som sänds till dessa anslutningar. (Se sid 5 för ytterligare upplysningar.)
- 17** Linjeingångar (**INPUT2**)  
Används för inmatning av linjenivåsignaler från förstärkaren.  
(Se avsnittet "**ANSLUTNINGAR**" för mer information.)
- 18** Högtalaranslutningar [**OUTPUT (TO SPEAKERS)**]  
Kan användas för anslutning till huvudhögtalarna. Signalerna sänds direkt från förstärkaren till huvudhögtalarna via dessa anslutningar.  
(Se avsnittet "**ANSLUTNINGAR**" för mer information.)
- 19** Högtalarangångar [**INPUT1 (FROM AMPLIFIER)**]  
Används för att ansluta högtalaranslutningarna på förstärkaren till subwooferhögtalaren.  
(Se avsnittet "**ANSLUTNINGAR**" för mer information.)
- 20** Fastangent (**PHASE**)  
Normalt sett bör du trycka på denna tangent för att reversera fasgången i systemet. Beroende på dina högtalare kan det dock vara bättre att inte ändra fasgången för att behålla en bättre ljudåtergivning. Välj det läge som du tycker låter bäst. **PHASE**-indikatorn på frontpanelen lyser grönt när fasan har reverserats, och den lyser rött när fasgången inte har ändrats.
- 21** Minnestangent (**MEMORY**)/förinställningstangent (**PRESET**)  
Används för att lagra och anropa data för justering av **B.A.S.S. [MUSIC/MOVE]** (Ⓜ), **VOLUME [VOLUME UP/DOWN]** (Ⓛ), **HIGH CUT [HIGH CUT UP/DOWN]** (Ⓢ) och **PHASE** (Ⓜ). (Se sid 16.)

# FUNKTION FÖR AUTOMATISK PÅSLAGNING/AVSTÄNGNING

Subwooferhögtalaren ställs automatiskt i beredskapsläge om en programkälla slutar spela och ingångssignalen är borta i 7 till 8 minuter. (Driftindikatorn lyser rött när subwooferhögtalaren kopplas till beredskapsläget av funktionen för automatisk påslagning/avstängning.) När du spelar en programkälla igen sätts strömmen till subwooferhögtalaren på automatiskt, eftersom den detekterar en signal på signalingången. Denna funktion arbetar genom att detektera en viss signalnivå hos insignalen. Ställ vanligtvis **AUTO STANDBY**-omkopplaren i LOW-läget. Ställ omkopplaren i HIGH-läget om utrustningen inte slås på (ON) eller ställs i Standby-läge ordentligt. I HIGH-läget slås strömmen på även om ingångssignalen är låg. Kom dock ihåg att det kan hända att subwooferhögtalaren inte kopplas om till beredskapsläget när ingångssignalen är mycket svag.

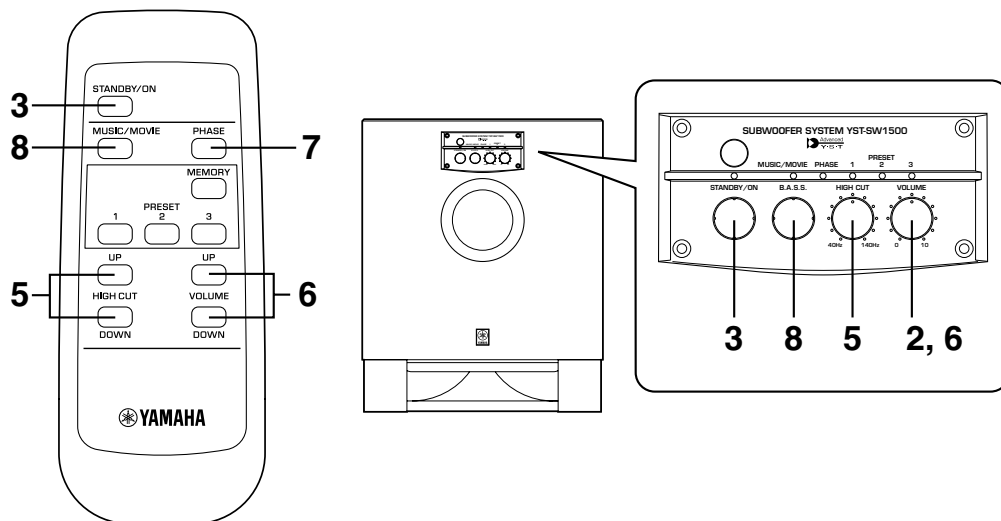
- \* Strömmen kan slås på oväntat genom att känna av brus från andra apparater. Om det sker ska du sätta **AUTO STANDBY**-omkopplaren till OFF-positionen.
- \* Denna funktion känner av lågfrekvenssignaler på 200 Hz och under (t.ex. explosioner i action-filmer, ljud från en basgitarr eller basstrummor osv.).
- \* Det antal minuter det tar att sätta subwooferhögtalaren i beredskapsläget kan variera beroende på om störningar från annan utrustning detekteras.

**Denna funktion kan endast användas när strömmen till subwooferhögtalaren har satts på (genom att trycka in STANDBY/ON-tangenten till "ON"-läge).**

**Funktionen fungerar inte om subwooferhögtalaren har ställts i beredskapsläget med STANDBY/ON-tangenten. (Driftindikatorn på frontpanelen släcks då.)**

# JUSTERING AV SUBWOOFERHÖGTALAREN INNAN DEN ANVÄNDS

Innan du börjar använda subwooferhögtalaren, ska du justera den så att du får optimal balans av ljudstyrka och ton mellan subwooferhögtalaren och huvudhögtalarna. Följ anvisningarna nedan.



- 1 Sätt ljudnivån på förstärkaren till minimum och sätt på förstärkaren och andra komponenter.
- 2 Vrid **VOLUME**-kontrollen för att ställa den på minimum (0).
- 3 Se till att strömbrytaren (**POWER**) på bakpanelen är ställd på ON-positionen och tryck sedan på **STANDBY/ON**-tangenter för att sätta på subwoofern.
- 4 Spela en källa med lågfrekvensinslag och ställ in förstärkarens ljudstyrkek kontroll på en önskad lyssningsnivå.
- 5 Vrid på **HIGH CUT**-kontrollen (eller tryck på **HIGH CUT UP/DOWN**-tangenterna på fjärrkontrollen) för att ställa in ett läge där du når optimalt frekvenssvar.

Normalt sett bör kontrollen ställas i det läge som motsvarar den lägsta frekvens som huvudhögtalarna är kapabla att återge.\*

\* Huvudhögtalarnas beräknade, lägsta återgivningsbara frekvens kan kontrolleras i högtalarnas katalog eller bruksanvisning.

- 6 Hög ljudstyrkenivån gradvis för att justera ljudstyrkebalansen mellan subwooferhögtalaren och huvudhögtalarna.

Vanligtvis ska du ställa kontrollen på en nivå som ger en aning mer bas jämfört med när subwooferhögtalaren inte används. Om du inte kan uppnå önskat ljud, bör du omjustera HIGH CUT-kontrollen och VOLUME-kontrollen.

- 7 Tryck på **PHASE**-tangenter för att pröva om ljudåtergivningen ger bättre basåtergivning med normal eller reverserad fasgång.

Vanligtvis bör fasgången reverseras (så att PHASE-indikatorn på frontpanelen lyser grönt). Om önskad basåtergivning inte kan uppnås, bör du välja normal fasgång (så att PHASE-indikatorn lyser rött).

- 8 Välj "MOVIE" eller "MUSIC" beroende på vilken typ av program du lyssnar på.

**MOVIE** (MUSIC/MOVIE-indikatorn på frontpanelen lyser grönt):

När du spelar ljudet från filmer via ljudanläggningen förstärker detta läge låg bas med resultatet att den allmänna ljudåtergivningen blir kraftigare. (Ljudet blir tätare med djupare bas.)

**MUSIC** (MUSIC/MOVIE-indikatorn på frontpanelen lyser rött):

För att lyssna på vanliga musikprogram bör du välja detta läge, eftersom basen inte förstärks lika mycket och ljudet blir renare och tydligare. (Ljudåtergivningen blir lätt och återgivningen blir mer lik originalet.)

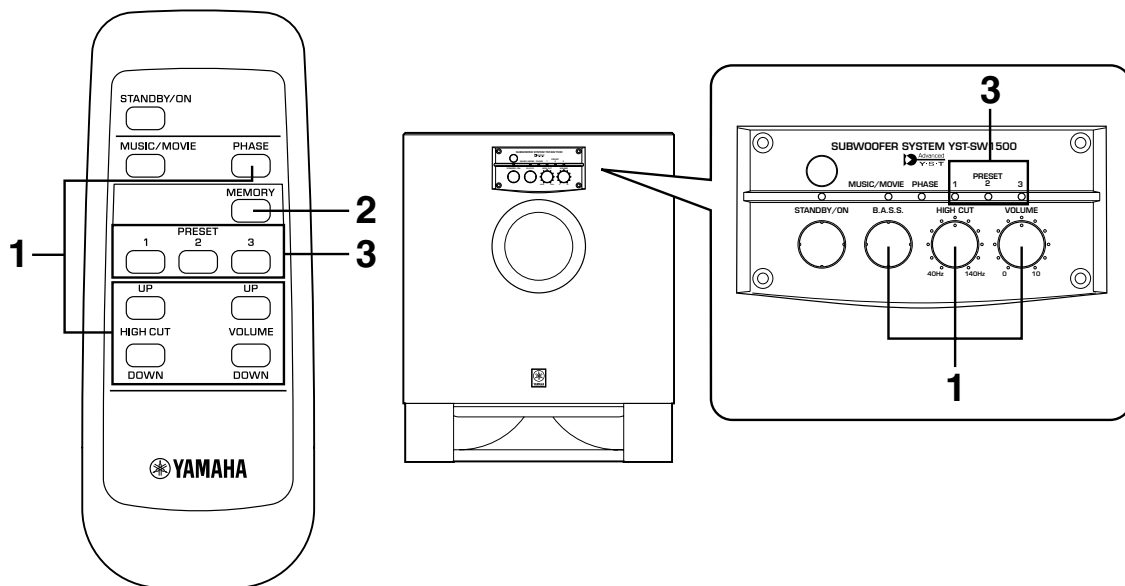
- När en gång ljudstyrkebalansen mellan subwooferhögtalaren och huvudhögtalarna har justerats, kan du justera ljudstyrkan för hela ljudanläggningen med förstärkarens ljudstyrkek kontroll.

Om du byter ut huvudhögtalarna mot några andra högtalare, måste du dock utföra denna justering igen.

- Se avsnittet "Frekvenskaraktäristika" på sid 17 angående rätt inställning av VOLUME-kontrollen, HIGH CUT-kontrollen och PHASE-tangenten.

## Lagra inställningarna för ljudstyrkekontrollen (VOLUME) osv.

Du kan förinställa inställningarna för **VOLUME**-kontrollen, **HIGH CUT**-kontrollen, **PHASE**-tangenter och **B.A.S.S.**-omkopplaren. Du kan använda de tre **PRESET**-tangenter på fjärrkontrollen för att lagra (och återkalla) dessa inställningar. Denna funktion är praktisk för att snabbt kalla tillbaka en kombination av inställningar för en särskild musikkälla.



### ■ Lagring

- 1 Ställ in **VOLUME**-kontrollen, **HIGH CUT**-kontrollen, **PHASE**-tangenter och **B.A.S.S.**-omkopplaren som önskas.
- 2 Tryck på **MEMORY**-tangenter. **PRESET**-numret på frontpanelen blinkar.
- 3 Tryck på **PRESET 1**-tangenter. Motsvarande **PRESET**-nummerindikator tänds. Detta visar att inställningarna lagrats på förinställningsplatsen **PRESET 1**.

\* Gör på samma sätt för att lagra andra inställningar på **PRESET 2** och **3**.

\* Grundinställningarna för respektive **PRESET**-tangenter passar subwooferhögtalaren tillsammans med följande Yamaha-högtalarsystem.

**PRESET 1:** NS-8HX, NS-6HX

**PRESET 2:** NS-4HX

**PRESET 3:** NS-2HX

### Anmärkningar

- När nya inställningar lagras på en plats, raderas de gamla automatiskt på samma plats.
- Under tiden **VOLUME**- eller **HIGH CUT**-kontrollen roterar efter att du valt en inställning med en **PRESET**-tangenter händer det ingenting om du samtidigt trycker på en annan **PRESET**-tangenter.

### Minnesskydd

Minnesskyddet motverkar att data som lagrats i minnet går förlorad även om strömbrytaren (**POWER**) slås från samt även om nätkabeln kopplas loss från nätet eller ett kortvarigt strömavbrott inträffar. Om strömmen är fränkopplad i mer än en vecka kommer datan i minnet dock att förloras. Om detta inträffar måste inställningarna göras om enligt vad som förklarats ovan.

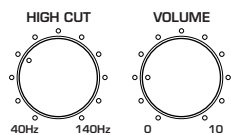
## Frekvenskaraktärstika

Denna subwooferhögtalares frekvenskaraktärstika

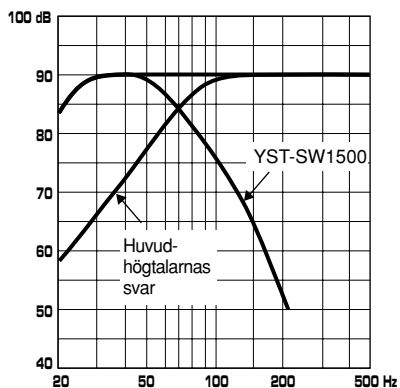


Siffrorna nedan visar optimal inställning av varje reglage samt frekvenskaraktärstika när denna subwooferhögtalare kombineras med typiska huvudhögtalare.

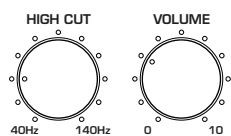
**EX. 1** I kombination med akustiskt upphängda huvudhögtalare på 10 eller 13 cm i ett 2-vägssystem



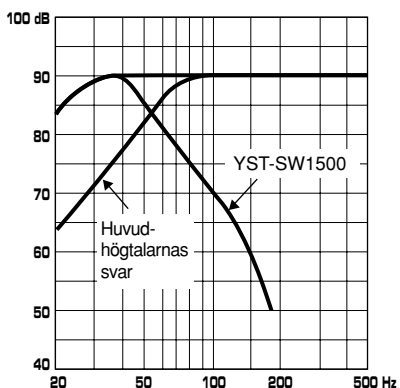
**PHASE** – Ställ in reverserad fasgång  
**B.A.S.S.–MOVIE**



**EX. 2** I kombination med akustiskt upphängda huvudhögtalare på 20 eller 25 cm i ett 2-vägssystem



**PHASE** – Ställ in reverserad fasgång  
**B.A.S.S.–MOVIE**



# ADVANCED YAMAHA ACTIVE SERVO TECHNOLOGY

Principen för Yamaha Active Servo Technology baseras på två grundläggande tekniska fakta, nämligen Helmholtz-resonator och drift med negativ impedans. Högtalare med Active Servo Processing återger basfrekvenserna genom ett s.k. luft-baselement, som egentligen är en liten port eller öppning i högtalarlådan. Denna öppning används istället för baselementet i konventionella högtalare och fungerar på precis samma sätt.

Och enligt Helmholtz resonanst teori sänds de signaler med låg amplitud, som alstras i högtalarlådan, ut genom denna öppning som signaler med hög amplitud, om förhållandet mellan öppningens storlek och högtalarlådans volym är korrekt för att uppfylla kravet på viss kvot.

Utöver detta måste amplituden inom högtalarlådan vara såväl exakt som tillräckligt hög för att besegra luftmotståndet i högtalarlådan.

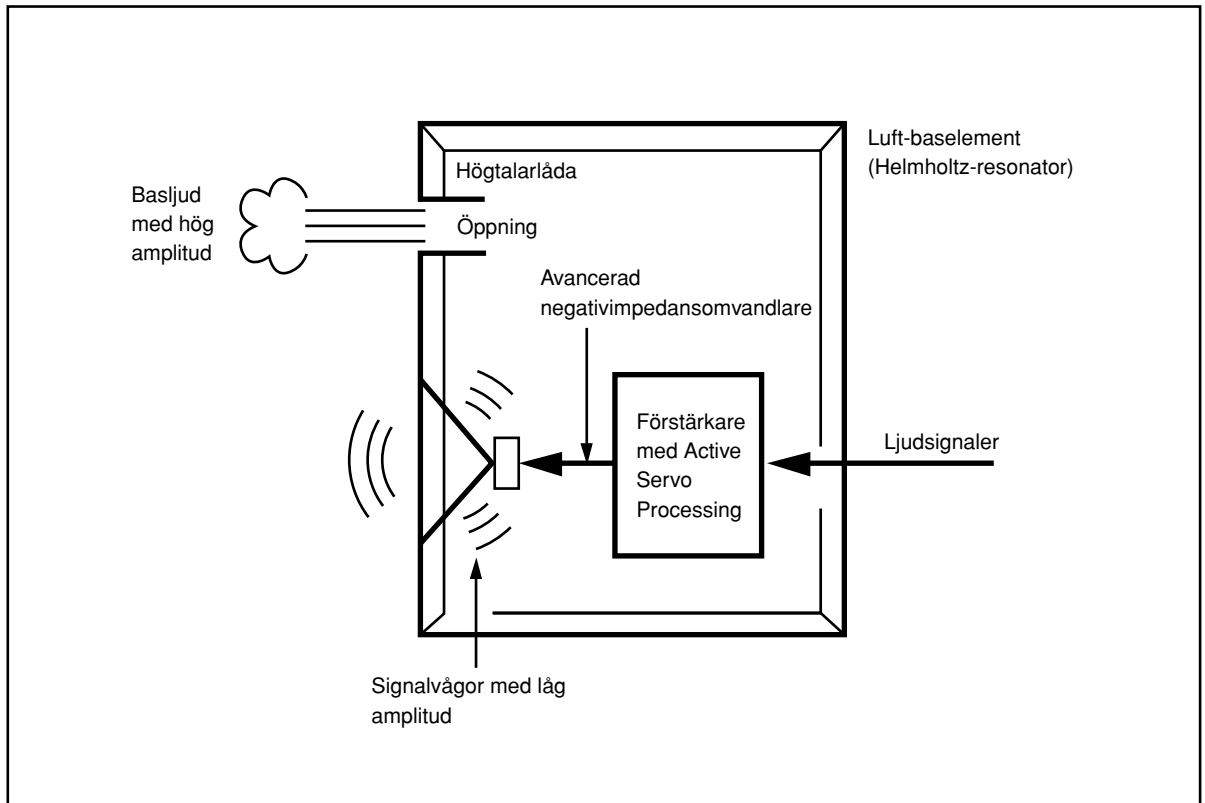
Problemen löses genom att utnyttja ett nytt utförande i vilket förstärkaren matar speciella signaler.

Om talspolens elektriska motstånd reduceras till noll skulle högtalarmembranets rörelser bli linjära i förhållande till signalens spänning. För att förverkliga detta utnyttjas ett speciellt utgående drivsteg med negativ impedans i slutsteget för att subtrahera förstärkarens utimpedans.

Förstärkaren alstrar exakta, lågfrekventa vågor med låg amplitud och utomordentlig dämpkaraktär genom att utnyttja drivkretsar med negativ impedans. Dessa vågor strålar sedan ut via öppningen i högtalarlådan som signaler med hög amplitud.

Tack vare att förstärkarens utgående drivsteg med negativ impedans och högtalarlådan med Helmholtz-resonator används, återger förstärkaren med detta utförande ljudet med mycket brett frekvensomfång och förvånande bra ljudkvalitet med låg distorsion. Det ovanstående beskriver de grundläggande principerna för Yamahas konventionella Active Servo Technology.

I vår nya, aktiva servoteknik - Advanced Yamaha Active Servo Technology - ingår ANIC-kretsar (ANIC = avancerad negativimpedansomvandlare), vilket tillåter den konventionella negativimpedansomvandlaren att variera dynamiskt för att kunna välja ett optimalt värde för högtalarimpedansvariation. Med dessa nya ANIC-kretsar kan Yamahas avancerade aktiva servoteknik erbjuda stabilare prestanda och förbättrat ljudtryck, i jämförelse med Yamahas konventionella aktiva servoteknik, vilket resulterar i naturligare och dynamisk basåtergivning.





# FELSÖKNING

Se nedanstående tabell om högtalaren inte fungerar på rätt sätt. Om de problem du upplever inte finns uppräknade i nedanstående tabell eller om anvisningarna här nedan inte hjälper, ska du koppla loss nätkabeln och kontakta din auktoriserade YAMAHA-återförsäljare eller din serviceverkstad.

Problem	Orsak	Vad göra?
<b>Strömmen slås inte på även om STANDBY/ON-tangenten sätts i ON-läge.</b>	Nätkabeln är inte ansluten eller strömbrytaren (POWER) står i OFF-läget.	Anslut nätkabeln till AC IN-uttaget på subwooferhögtalaren ansluta dess stickpropp ordentligt till ett eluttag, eller ställ strömbrytaren (POWER) i ON-läget.
<b>Inget ljud.</b>	Ljudstyrkan är sänkt till miniminivå.	Höj ljudstyrkenivån.
	Högtalarkablarna är inte ordentligt anslutna.	Anslut dem ordentligt.
<b>Ljudnivån är alltför låg.</b>	Högtalarkablarna är inte ordentligt anslutna.	Anslut dem ordentligt, dvs. L (vänster) till L, R (höger) till R, "+" till "+" och "-" till "-".
	Fel inställningar av PHASE.	Ställ PHASE i det andra läget.
	En källa med få basfrekvenser spelas.	Spela en källa med mer bas. Ställ HIGH CUT-kontrollen på en högre frekvens.
	Återgivningningen påverkas av stående vågor.	Flytta subwooferhögtalaren eller bryt upp de parallella ytorna genom att placera bokhyllor e.dyl. utefter väggarna.
<b>Subwooferhögtalaren sätts inte på automatiskt.</b>	Strömbrytaren (POWER) är i OFF-läge.	Sätt strömbrytaren (POWER) i ON-läge.
	Subwooferhögtalaren har ställts i beredskapsläget med STANDBY/ON-tangenten. (Driftindikatorn är släckt.)	Slå på strömmen till subwooferhögtalaren med STANDBY/ON-tangenten.
	AUTO STANDBY-omkopplaren har satts i OFF-läge.	Sätt AUTO STANDBY-omkopplaren i läge "HIGH" eller "LOW".
	Nivån i de ingående ljudsignalerna är för låg.	Sätt AUTO STANDBY-omkopplaren i "HIGH"-läge.
<b>Subwooferhögtalaren sätts oväntat i beredskapsläge.</b>	Nivån i de ingående ljudsignalerna är för låg.	Sätt AUTO STANDBY-omkopplaren i "HIGH"-läge.
<b>Subwooferhögtalaren sätts på oväntat.</b>	Påverkan av brus som alstrats från yttre apparater, etc.	Placera subwooferhögtalaren längre bort från sådana apparater och/eller flytta de anslutna högtalarkablarna. Du kan också sätta AUTO STANDBY-omkopplaren i "OFF"-läge.
<b>En säkring/propp har gått sönder.</b>	Subwooferhögtalaren drar mycket elektricitet när en högnivåsignal sänds till den.	Sänk ljudstyrkan på förstärkaren e.likn., som anslutits till subwooferhögtalaren, eller stäng av strömmen i utrustning som inte används.
<b>Fjärrkontrollen fungerar inte.</b>	Direkt solljus eller stark belysning (från lysrör e.likn.) når fjärrkontrollsensorn på huvudenheten.	Omplacera huvudenheten.
<b>Fjärrkontrollens funktionsavstånd minskar.</b>	Batterierna i fjärrkontrollen är för svaga.	Byt ut batterierna mot nya.

## Anmärkning

Om en signal med mycket hög nivå sänds konstant till subwooferhögtalaren i 5 till 15 minuter börjar driftindikatorn blinka som en varning om att det finns risk att slutsteget och högtalarelementet i subwooferhögtalaren kan förstöras. Om denna höga signalnivå varar i mer än 5 minuter ställs subwooferhögtalaren automatiskt i beredskapsläget.

# TEKNISKA DATA

---

**Typ** ..... Advanced Yamaha Active Servo Technology  
(Med Yamahas avancerade aktiva servoteknik)

**Högtalarelement** ..... 30 cm konbaselement  
Magnetiskt avskärmat typ

**Förstärkarens uteffekt** ..... 1 kW/5Ω

**Frekvensrespons** ..... 16 Hz–160 Hz (–10 dB)

## Strömförsörjning

**Modell för USA och Kanada** ..... Växelström 120V, 60 Hz

### Modell för Storbritannien och Europa

..... Växelström 230V, 50 Hz

**Modell för Australien** ..... Växelström 240V, 50 Hz

**Modell för Korea** ..... Växelström 220V, 50 Hz

**Effektförbrukning** ..... 250W

**Effektförbrukning i standbyläge** ..... 1,0W

**Dimensioner (B x H x D)** ..... 420 mm x 511 mm x 448 mm

**Vikt** ..... 29 kg

\* Rätten till ändringar förbehålles.

## AVVERTENZA: Prima di cominciare ad usare l'apparecchio leggere quanto segue.

Leggere le seguenti precauzioni di impiego prima dell'uso. YAMAHA non assume alcuna responsabilità per danni e/o lesioni causate dal mancato rispetto delle avvertenze qui sotto.

- Per ottenere le migliori prestazioni, leggere attentamente il presente manuale. Conservarlo poi in luogo sicuro, per eventuali necessità future.
- Installare questo apparecchio in un luogo fresco, asciutto e pulito, lontano da finestre, sorgenti di calore, vibrazioni intense, polvere, umidità, freddo e sorgenti di ronzii (trasformatori, motori, ecc.). Per prevenire fiammate e folgorazioni, non esporre questo apparecchio all'acqua e all'umidità.
- Non aprire mai l'apparecchio. Se qualcosa dovesse accidentalmente penetrare all'interno, rivolgersi ad un centro di servizio.
- La tensione da usare deve essere la stessa indicata nel pannello posteriore. Utilizzare questo apparecchio con una tensione maggiore a quella specificata è pericoloso e può causare incendi e/o scosse elettriche.
- Per evitare incendi o cortocircuiti, l'apparecchio non deve essere esposto alla pioggia o all'umidità.
- Non azionare gli interruttori e gli altri comandi con forza. Dovendo spostare l'apparecchio, staccare prima il cavo di corrente e i cavi di collegamento degli altri apparecchi. Non tirare mai i cavi stessi.
- Se si prevede di non usare l'apparecchio per qualche tempo (ad esempio per una vacanza), staccare la spina di alimentazione.
- Durante temporali, staccare il cavo di alimentazione per evitare che eventuali fulmini danneggino l'apparecchio.
- Questo apparecchio contiene un amplificatore, che irradia calore dal pannello posteriore. Posizionare l'apparecchio in modo da lasciare spazio sufficiente sopra, dietro e sui lati dell'apparecchio stesso onde evitare possibili incendi o danni. Per la stessa ragione evitare di installarlo con il pannello posteriore appoggiato sul pavimento o su altre superfici. Ricordarsi di lasciare uno spazio di almeno 20 cm al disopra, dietro e sui lati dell'apparecchio.
- Non ostruire il pannello posteriore di questo apparecchio con un giornale, una tovaglia, una tenda, ecc., per non impedire il necessario irradiazione di calore. Un aumento della temperatura interna dell'apparecchio potrebbe essere causa di incendio, danneggiamento dell'apparecchio e/o infortunio.
- Non posizionare piccoli oggetti di metallo sull'apparecchio. Altrimenti, l'oggetto può cadere e causare delle lesioni personali.
- Non appoggiare sull'apparecchio i seguenti oggetti:
  - Vetro, porcellana, ecc.  
Se un oggetto in vetro o porcellana dovesse cadere a causa delle vibrazioni, potrebbe rompersi ed essere causa di infortunio.
  - Una candela accesa, ecc.  
Se la candela dovesse cadere a causa delle vibrazioni, potrebbe essere causa di incendio e infortunio.
  - Un recipiente contenente acqua  
Se a causa delle vibrazioni il recipiente dovesse cadere, l'acqua potrebbe versarsi sull'apparecchio e rovinarla o essere causa di scossa elettrica.
- Non collocare questo apparecchio in luoghi dove oggetti estranei quali gocce d'acqua possono cadere sullo stesso. Ciò potrebbe causare un incendio, danneggiare questo apparecchio, o provocare lesioni alle persone.
- Non collocare un oggetto fragile vicino alla porta YST di questo apparecchio. A causa della pressione dell'aria l'oggetto potrebbe rompersi o cadere e danneggiare l'unità o essere causa di infortunio.
- Non mettere mai la mano o un oggetto estraneo nella porta YST situata sul lato anteriore di questo apparecchio. Quando bisogna spostare l'apparecchio, non afferrarlo per la porta in quanto potrebbe essere causa di infortunio e/o danneggiamento dell'apparecchio.
- Non aprire il mobiletto esterno per nessun motivo. C'è il rischio di scossa elettrica in quanto questo apparecchio utilizza una tensione ad alto voltaggio. Inoltre, c'è rischio di infortuni o di danneggiare l'apparecchio.
- Se utilizzate un umidificatore, assicuratevi di evitare la formazione di condensa nell'apparecchio lasciando uno spazio sufficiente intorno all'apparecchio o evitando una umidificazione eccessiva. La condensa potrebbe causare un incendio, danneggiare l'apparecchio, o provocare scosse elettriche.
- Le frequenze ultrabasse riprodotte da questo altoparlante possono interferire con il funzionamento di un giradischi, causando ululati. In tali casi si consiglia di allontanare quanto più possibile questo apparecchio ed il giradischi.
- Questo apparecchio potrebbe danneggiarsi in caso di emissione continuata di determinati suoni ad alto volume. Per esempio, in caso di emissione continuata di onde sinusoidale di frequenza da 20 a 50 Hz da un disco di prova, di suoni bassi da strumenti elettronici, ecc., oppure quando una puntina stilo o di un giradischi striscia sulla superficie di un disco, bisogna abbassare il volume per evitare danni all'apparecchio.
- Se si suoni distorti provenienti da quest'apparecchio (es. suoni intermittenti "picchiettanti" o "martellanti" che non sono normali), abbassare il livello del volume. Suonare ad un livello di volume troppo alto le basse frequenze delle colonne sonore dei film, i suoni bassi-intensi o, analogamente, i passaggi forti della musica in voga, può danneggiare questo sistema altoparlante.
- Le vibrazioni generate dalle frequenze di superbassi possono causare una distorsione dell'immagine su un televisore. In questo caso, allontanare questo apparecchio dal televisore.
- Non pulire gli altoparlanti con solventi chimici: ciò potrebbe rovinare la rifinitura. Usare invece un panno morbido e asciutto.
- In caso di disfunzioni, prima di concludere che l'apparecchio deve essere riparato, consultare il capitolo sulla "DIAGNOSTICA".
- **Un posizionamento sicuro è responsabilità dell'utente. La YAMAHA non può essere considerata responsabile di qualsiasi incidente causato da un eventuale improprio posizionamento, o installazione, di questi altoparlanti.**

### Modalità di attesa

Quando l'apparecchio viene spento premendo il tasto STANDBY/ON, sul pannello anteriore dell'apparecchio consuma una limitata quantità di corrente. Questa condizione viene chiamata modalità di attesa. L'alimentazione di corrente di quest'apparecchio viene staccata dalla rete elettrica in c.a. solo quando l'interruttore POWER viene impostato su OFF o la spina del cavo di alimentazione c.a. viene disinserita dalla presa di rete.

Questo apparecchio è dotato di schermatura magnetica, ma esiste comunque la possibilità che quando è collocato troppo vicino ad un televisore influisca negativamente sul colore dell'immagine. In questo caso, allontanare questo apparecchio dal televisore.

# INDICE

---

## CONTROLLO DEGLI ACCESSORI

..... All'interno della copertina anteriore

**AVVERTENZA** ..... 1

**CARATTERISTICHE** ..... 2

**COLLOCAZIONE** ..... 3

**COLLEGAMENTI** ..... 4

Collegamento ai terminali di uscita di  
linea (presa a spina) dell'amplificatore ... 4

Collegamento ai terminali di uscita  
altoparlante dell'amplificatore ..... 6

Collegamento ai terminali H.P.F.  
OUTPUT ..... 8

Collegamento di massa ..... 10

Collegamento del cavo  
di alimentazione CA ..... 11

**NOTE SUL TELECOMANDO** ..... 11

## COMANDI E LORO

**FUNZIONAMENTO** ..... 12

## FUNZIONE DI ATTIVAZIONE

**E DISATTIVAZIONE AUTOMATICA** ..... 14

## REGOLAZIONI DEL SUBWOOFER

**PRIMA DELL'USO** ..... 15

Memorizzazione dei dati di preselezione  
del controllo VOLUME, ecc. .... 16

Caratteristiche di frequenza ..... 17

## ADVANCED YAMAHA ACTIVE SERVO

**TECHNOLOGY** ..... 18

**DIAGNOSTICA** ..... 19

**DATI TECNICI** ..... 20

---

## CARATTERISTICHE

---

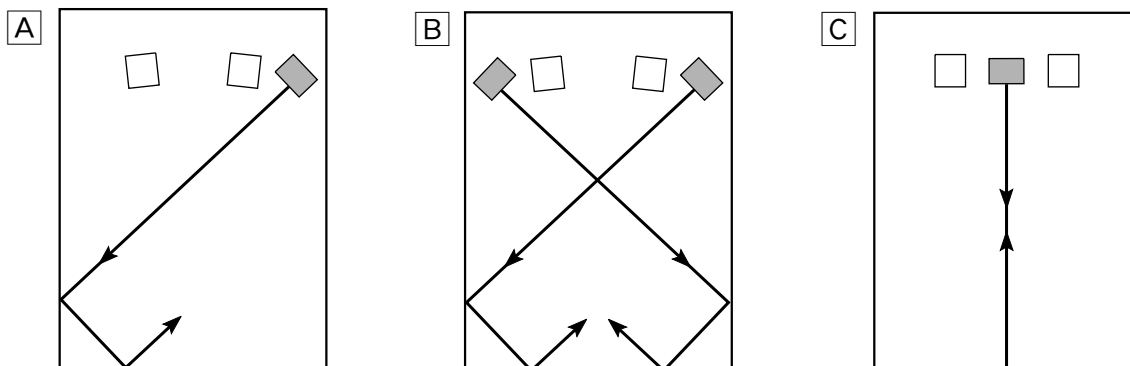
- Questo sistema subwoofer (altoparlante per superbassi) impiega Advanced YAMAHA Active Servo Technology sviluppata da YAMAHA per riprodurre un suono dei superbassi di qualità superiore. (Fare riferimento a pagina 18 per dettagli sulla Advanced YAMAHA Active Servo Technology.) Questo suono dei superbassi aggiunge un effetto più realistico da cinema in casa al sistema stereo.
- Questo subwoofer può essere aggiunto facilmente al sistema audio esistente collegandolo ai terminali per gli altoparlanti o ai terminali di uscita in linea (presa a spina) dell'amplificatore.
- Per un uso efficace di questo subwoofer, il suono dei superbassi del subwoofer deve essere adeguato ai suoni degli altoparlanti principali. Si può creare la qualità sonora migliore per varie condizioni di ascolto usando il comando HIGH CUT e il tasto PHASE.
- E' possibile fare delle modifiche alle impostazioni e regolazioni del subwoofer usando il telecomando senza spostarsi dalla posizione di ascolto.



- La funzione di commutazione automatica elimina il fastidio di dover premere il tasto STANDBY/ON per accendere e spegnere l'altoparlante.
- Si può selezionare l'effetto dei bassi adatto per la fonte usando il tasto B.A.S.S.
- L'uso dei terminali H.P.F. OUTPUT per il collegamento dell'amplificatore è effettivo per il miglioramento della qualità sonora del sistema degli altoparlanti. Questo collegamento previene l'uscita sonora ammuffata dagli altoparlanti principali filtrando le basse frequenze dei segnali di ingresso da inviare agli altoparlanti principali non adatti per la riproduzione delle basse frequenze.

**QD-Bass**  
TECHNOLOGY

### Tecnologia QD-Bass

La tecnologia QD-Bass (Quatre Dispersion Bass) utilizza delle piastre riflettenti quadrate, a piramide per irradiare il suono nelle quattro direzioni orizzontali.



(  : subwoofer,  : altoparlante principale)

Un subwoofer ha un buon effetto sul sistema audio, ma si consiglia l'uso di due subwoofer per ottenere un effetto maggiore.

Se si fa uso di un solo subwoofer, si consiglia di collocarlo all'esterno dell'altoparlante principale destro o sinistro. (Vedere la fig. [A](#).) Se si usano due subwoofer, consigliamo di collocarli all'esterno di ciascuno degli altoparlanti principali. (Vedere la fig. [B](#).) Il posizionamento indicato nella fig. [C](#) è anche possibile, ma è necessario verificare che il subwoofer non si trovi in posizione esattamente parallela rispetto alla parete opposta, perchè in questo caso l'effetto dei superbassi potrebbe scomparire a causa dell'annullamento reciproco fra le onde emesse dall'altoparlante e quelle riflesse dalla parete stessa. Per prevenire questo problema si consiglia di posizionare sempre l'altoparlante in un angolo, come indicato nella fig. [A](#) o [B](#).

## Nota

In certi casi può non essere possibile ottenere suoni superbassi sufficienti dal subwoofer quando si ascolta il suono riprodotto stando al centro della stanza. Ciò è dovuto al fatto che le "onde stazionarie" che si creano fra due pareti parallele cancellano i suoni bassi.

In questo caso la soluzione consiste nel posizionare il subwoofer obliquamente rispetto alle pareti. Può anche essere utile piazzare librerie, o mobili, o simili, lungo le pareti per interrompere il parallelismo delle superfici.




# COLLEGAMENTI

**Attenzione: Prima di inserire la spina del cavo di alimentazione del subwoofer e degli altri componenti audio e video nella presa di corrente alternata di rete è assolutamente necessario che siano stati completati tutti i collegamenti.**

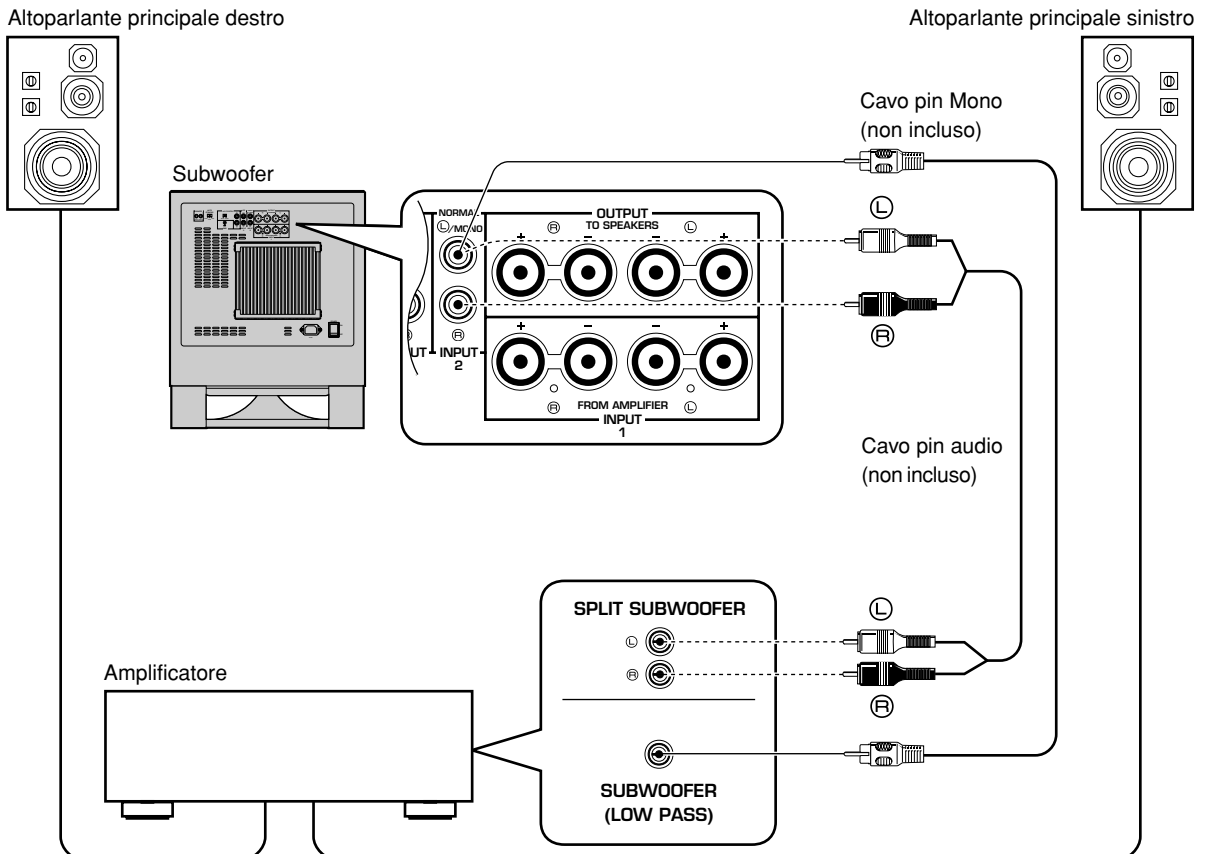
- Verificare che tutti i collegamenti siano effettuati in modo corretto, cioè L (sinistra) ad L, R (destra) ad R, “+” a “+” e “-” a “-”. Consultare inoltre il manuale d’istruzioni di ogni componente collegato.
- Questo subwoofer deve essere collegato all’amplificatore utilizzato, o ai terminali di uscita di linea (presa a spina), o ai terminali di uscita per gli altoparlanti. Scegliere il tipo di collegamento più adatto al sistema audio di cui si dispone. Fare inoltre riferimento al manuale del componente da collegare al subwoofer.  
Normalmente, collegare il subwoofer al terminale (ai terminali) di uscita di linea (presa a spina) dell’amplificatore. (Per i dettagli, vedere alle pagg. 4 e 5.) Se l’amplificatore utilizzato non possiede un terminale di uscita di linea, collegare il subwoofer ai terminali di uscita per altoparlante dell’amplificatore. (Per i dettagli, vedere alle pagg. 6 e 7.)

## Collegamento ai terminali di uscita di linea (presa a spina) dell’amplificatore

Collegare gli altoparlanti principali ai terminali di uscita per gli altoparlanti dell’amplificatore.

- Per il collegamento ad un amplificatore YAMAHA DSP (o ad un sintonizzatore AV), collegare il terminale SUBWOOFER (o LOW PASS, o altri), ubicato sul retro dell’amplificatore DSP (o ad un sintonizzatore AV), al terminale /MONO INPUT 2 del subwoofer.
- Quando si collega il subwoofer ai terminali SPLIT SUBWOOFER che si trovano sul retro dell’amplificatore DSP, collegare il terminale /MONO INPUT 2 alla parte “L” e i terminali  INPUT 2 alla parte “R” dei terminali SPLIT SUBWOOFER.

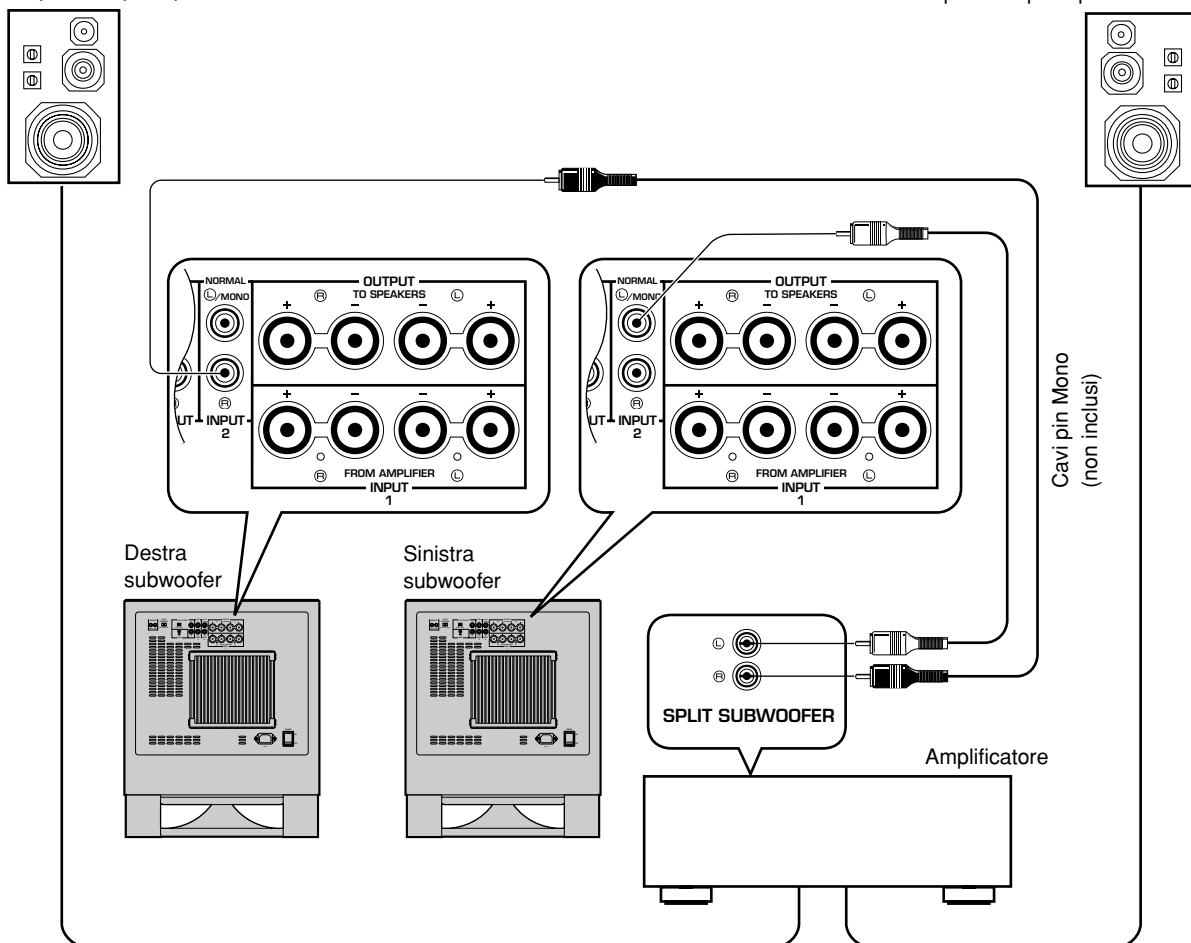
## ■ Utilizzando un solo subwoofer



## ■ Utilizzo di due subwoofer

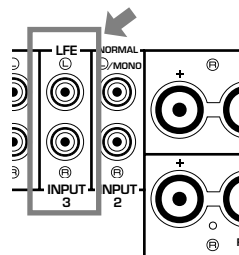
Altoparlante principale destro

Altoparlante principale sinistro



## ■ Collegamento ai terminali LFE (INPUT3)

Se l'amplificatore è in grado di eliminare le alte frequenze dai segnali per mandarli al subwoofer, collegare l'amplificatore ai terminali LFE (INPUT3) dell'amplificatore. Questo serve per ottenere una maggiore qualità sonora poiché il segnale che passa nel subwoofer passa intorno al circuito HIGH CUT incorporato.



### Nota

- Alcuni amplificatori sono dotati di uscite di linea denominate PRE OUT. Quando collegate il subwoofer ai terminali PRE OUT dell'amplificatore, assicuratevi che l'amplificatore abbia almeno due coppie di terminali PRE OUT. Se l'amplificatore ha un solo gruppo di terminali PRE OUT, non utilizzarli per collocarvi i subwoofer. In questo caso collegare invece il subwoofer ai terminali dell'amplificatore per l'uscita verso gli altoparlanti. (Vedere alle pagg. 6 e 7.)

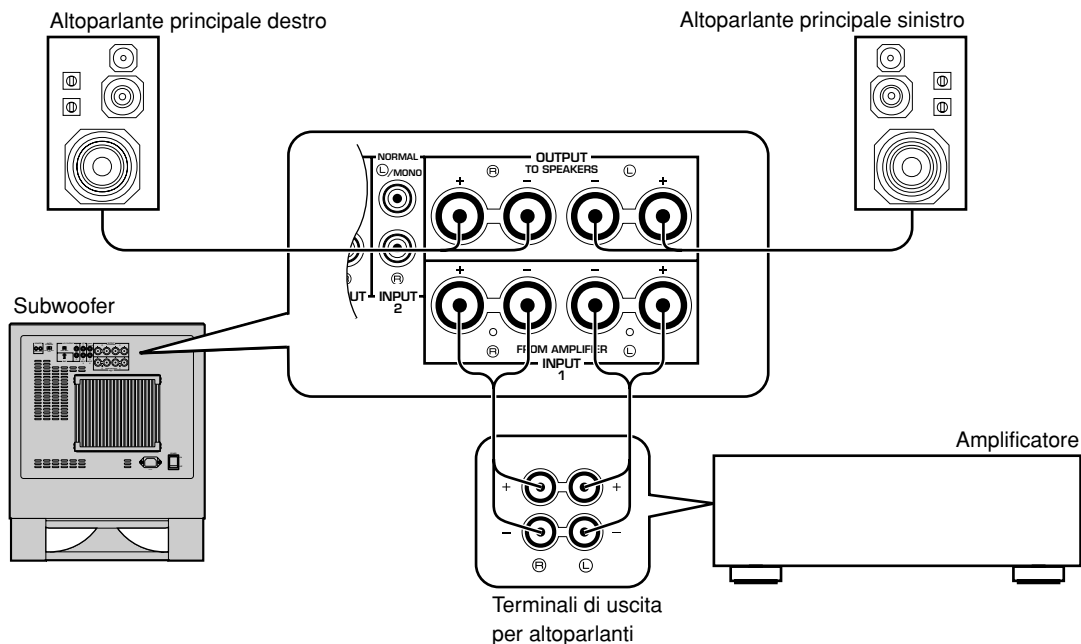
- Se si effettua il collegamento al terminale di uscita di linea monaurale dell'amplificatore, utilizzare il terminale  $\text{L/MONO}$  INPUT2.
- Se si effettua il collegamento ai terminali di uscita di linea dell'amplificatore, gli altri altoparlanti non devono essere collegati ai terminali OUTPUT del pannello posteriore del subwoofer, perchè in tale caso non si produrrà alcun suono.

## Collegamento ai terminali di uscita altoparlante dell'amplificatore

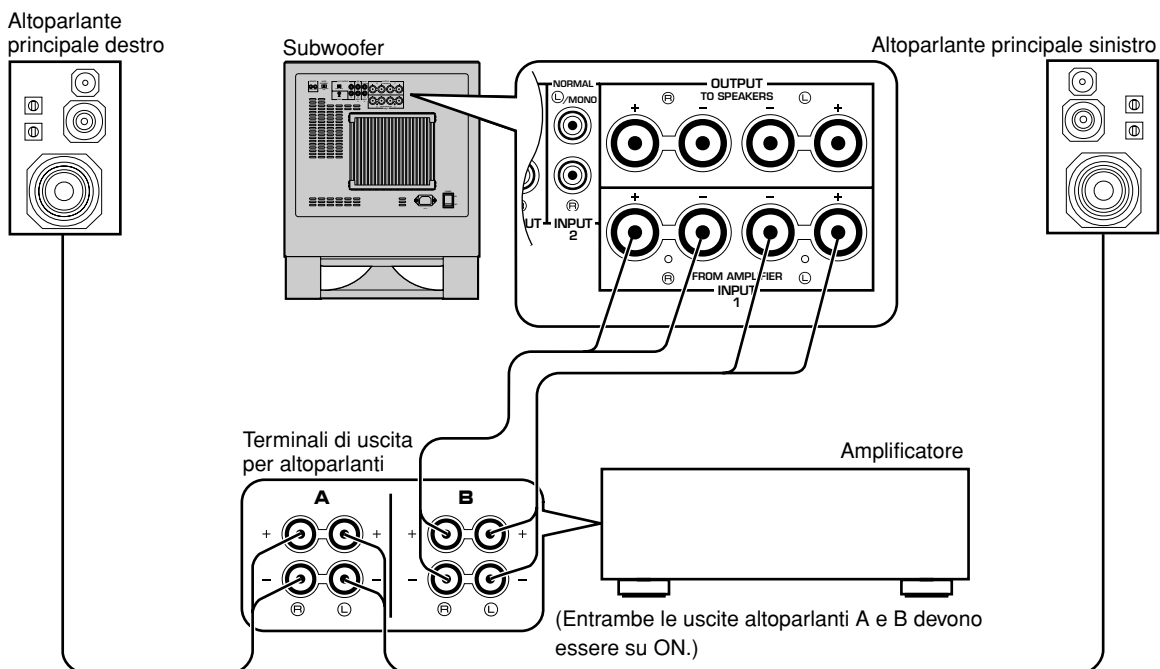
### ■ Utilizzando un solo subwoofer

#### Se l'amplificatore dispone di un solo gruppo di terminali di uscita per gli altoparlanti principali

Collegare i terminali di uscita per gli altoparlanti dell'amplificatore ai terminali INPUT1 del subwoofer, e collegare i terminali OUTPUT del subwoofer agli altoparlanti principali.



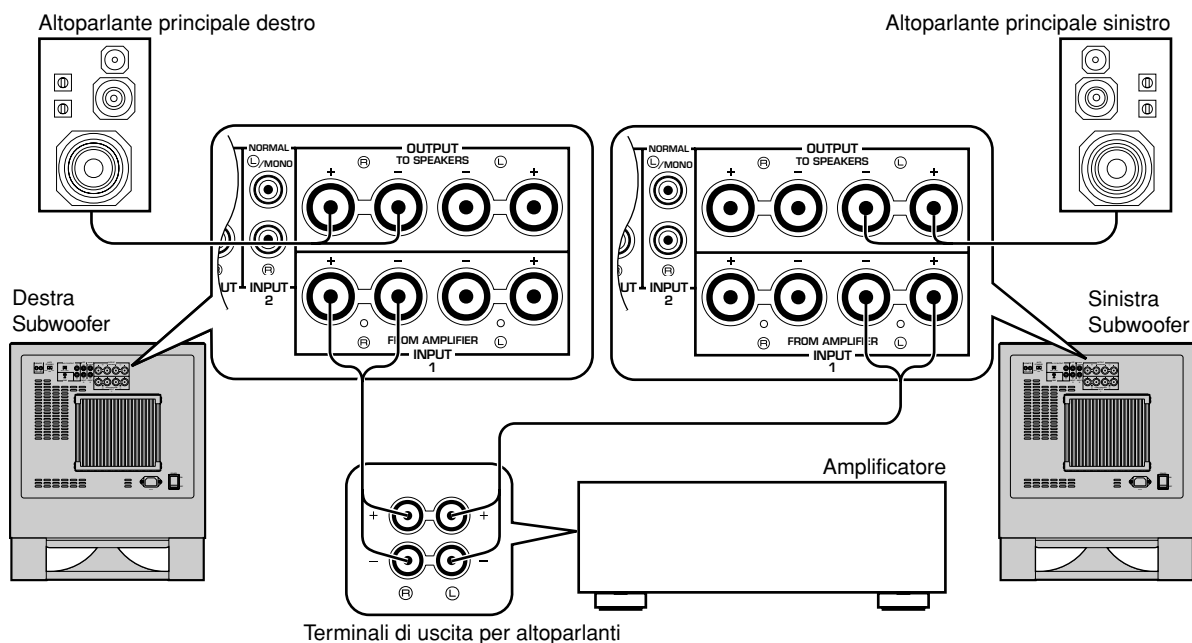
#### Se l'amplificatore ha due gruppi di terminali di uscita per altoparlanti





## ■ Utilizzo di due subwoofer

Collegare i terminali di uscita per gli altoparlanti dell'amplificatore ai terminali INPUT1 del subwoofer, e collegare i terminali OUTPUT del subwoofer agli altoparlanti principali.



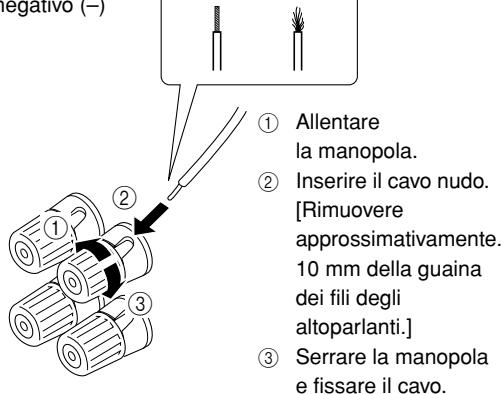
## Collegamento ai terminali INPUT1/OUTPUT del subwoofer

Per effettuare i collegamenti, i cavi degli altoparlanti devono essere il più corti possibili. Non raggruppare o arrotolare la parte in eccesso dei cavi. Se i collegamenti non sono corretti, non si sentirà nessun suono dal subwoofer o dagli altoparlanti o entrambi. Assicurarsi che le polarità + e - dei cavi degli altoparlanti siano giuste e posizionarle correttamente. Se questi cavi vengono invertiti, il suono sarà poco naturale ed i bassi saranno deboli.

### Modalità di collegamento:

Rosso: positivo (+)  
Nero: negativo (-)

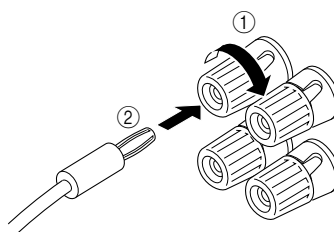
**Corretto** **Errato**



### Avvertenza

**Non lasciare che i fili esposti vengano in contatto l'uno con l'altro, poiché questo potrebbe recare danni al subwoofer o all'amplificatore oppure ad entrambi.**

<Solo nei modelli per USA, Canada, Australia e Corea>  
E' anche possibile effettuare un collegamento con la spina a banana.



## Collegamento ai terminali H.P.F. OUTPUT

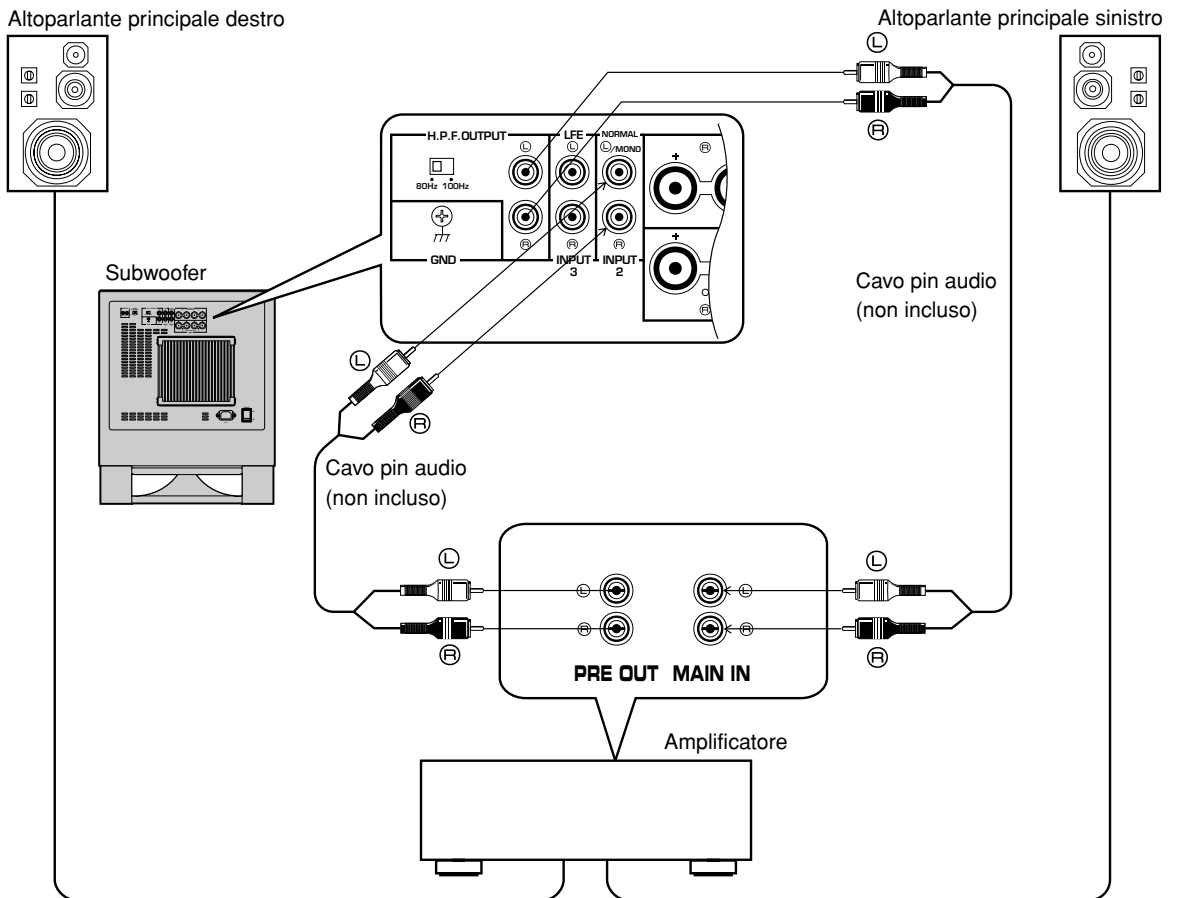
L'uso dei terminali H.P.F. OUTPUT per effettuare i collegamenti all'amplificatore migliorano la qualità sonora del sistema degli altoparlanti.

I terminali H.P.F. (filtro di passo alto) OUTPUT del subwoofer eliminano le frequenze al di sotto del punto della frequenza selezionata dai segnali di ingresso ed emette solo le alte frequenze. Collegamento questo terminale ai terminali MAIN IN dell'altoparlante, gli altoparlanti principali riproducono solo alte frequenze.

Questo rende nitida l'intera qualità sonora prevenendo i suoni poco nitidi tra gli altoparlanti principali e il subwoofer.

\* Questo collegamento può essere fatto quando l'amplificatore ha dei terminali PRE OUT e MAIN IN o si stanno usando amplificatori separati (preamplificatore e amplificatore principale).

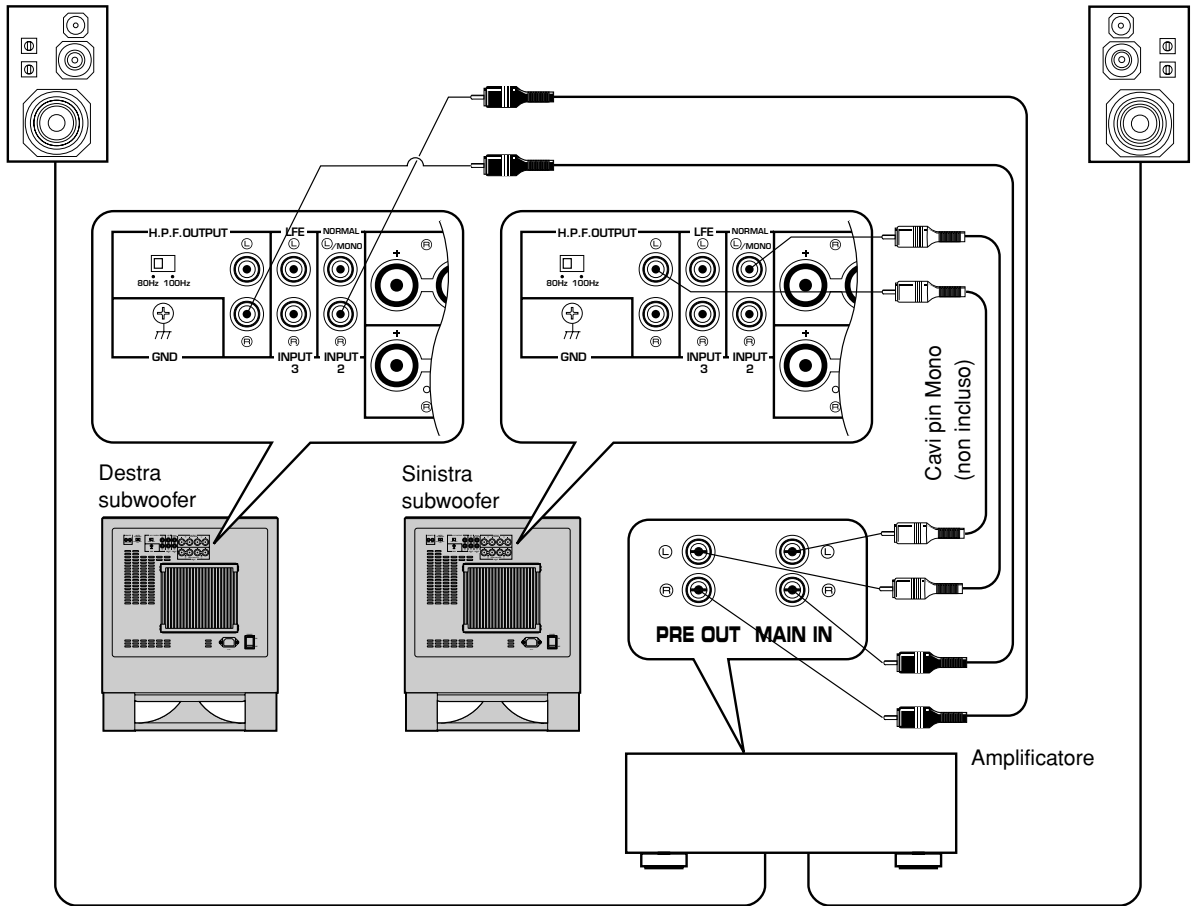
### ■ Collegamento di una sola unità



## ■ Collegamento di due unità

Altoparlante principale destro

Altoparlante principale sinistro



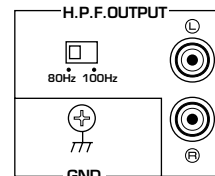
## Commutazione dell'interruttore H.P.F. OUTPUT

Dopo aver fatto il collegamento, selezionare la frequenza desiderata (80 Hz o 100 Hz) con l'interruttore **H.P.F. OUTPUT**.

### OUTPUT.

(Normalmente, si raccomanda di selezionare il punto della frequenza vicino alla frequenza minima riproducibile degli altoparlanti principali.)

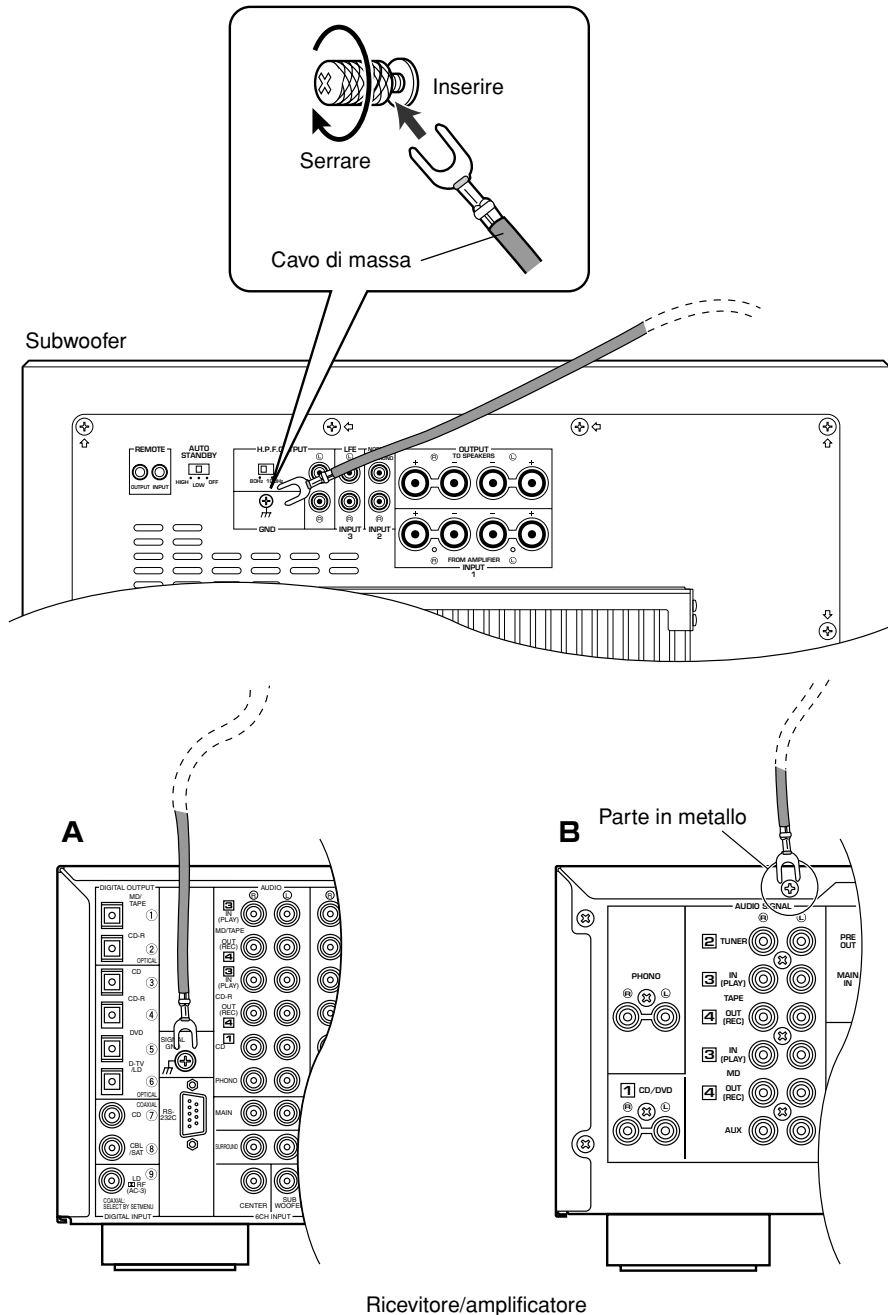
Le frequenze superiori alla frequenza selezionata vengono emessi dai terminali **H.P.F. OUTPUT**.



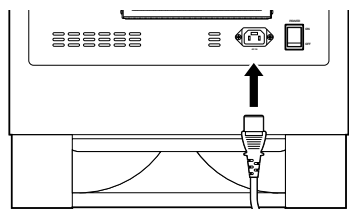
## Collegamento di massa

Se c'è un ronzio durante l'uso del subwoofer collegato ai terminali dell'altoparlante, collegare il subwoofer e il ricevitore/ amplificatore con il cavo di massa come nell'illustrazione A.

\* Se non c'è nessun terminale di massa (GND) sul lato del ricevitore/amplificatore, collegare il cavo ad una vite che fissa il coperchio superiore del ricevitore/amplificatore sul pannello posteriore come nell'illustrazione B.

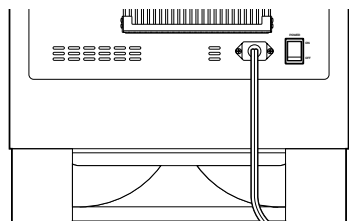


## Collegamento del cavo di alimentazione CA



(Modello per gli USA)

Ad una presa di corrente di rete



(Modello per GB)

Ad una presa di corrente di rete

### <Modelli per USA, Canada, Europa e Corea>

Quando sono stati completati tutti i collegamenti, collegare il cavo d'alimentazione in dotazione alla presa AC IN del subwoofer, poi collegare il cavo d'alimentazione alla presa murale.

#### Note

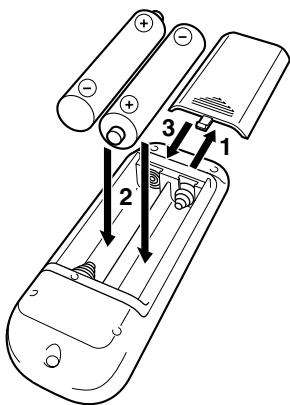
- Non collegare mai cavi d'alimentazione diversi da quello in dotazione con il subwoofer. Altrimenti, si può verificare un incendio o scosse elettriche.
- Il cavo di alimentazione in dotazione deve essere collegato esclusivamente a questo subwoofer.

### <Modelli per GB e Australia>

Collegare il subwoofer alla presa murale.

## NOTE SUL TELECOMANDO

### Installazione delle batterie



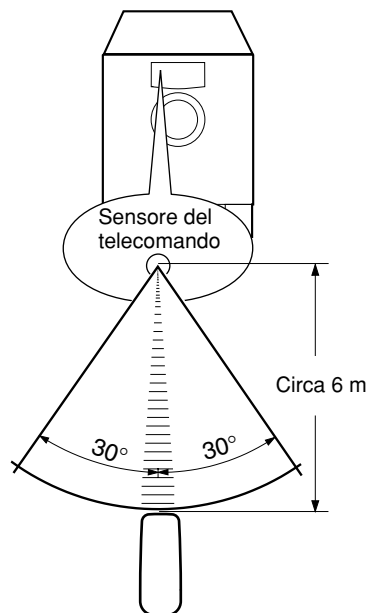
### Sostituzione delle batterie

Se bisogna usare il telecomando più vicino all'unità principale, ciò significa che sono scariche le batterie. Sostituire ambedue le batterie con delle nuove.

#### Note

- Usare solo batterie AA, R6, UM-3 per la sostituzione.
- Assicurarsi che sia corretta la polarità. (Vedere all'illustrazione all'interno del vano batterie.)
- Rimuovere le batterie se il telecomando non deve essere usato per un lungo periodo di tempo.
- Se le batterie perdono del liquido, gettare via le stesse immediatamente. Evitare di toccare il materiale fuoriuscito e non farlo entrare in contatto con abiti, ecc. Pulire bene il vano batterie prima di installare delle batterie nuove.

### Campo operativo del telecomando

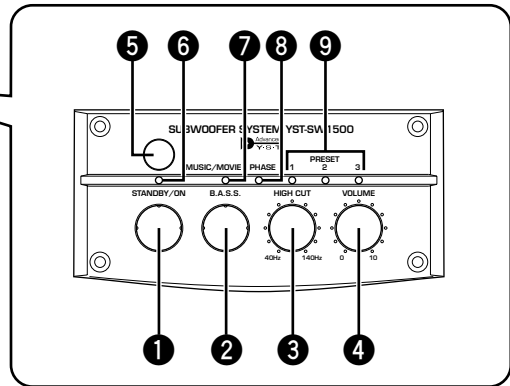
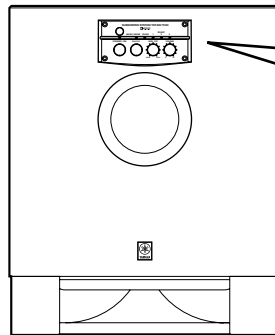


#### Note

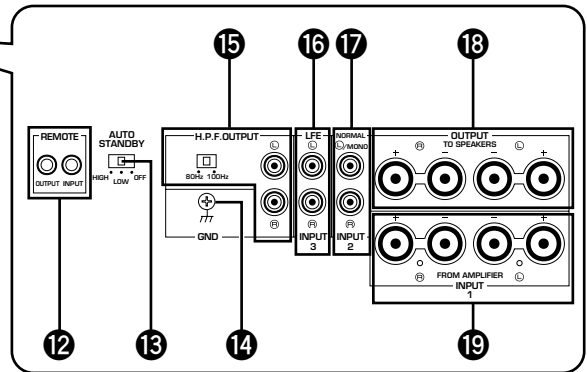
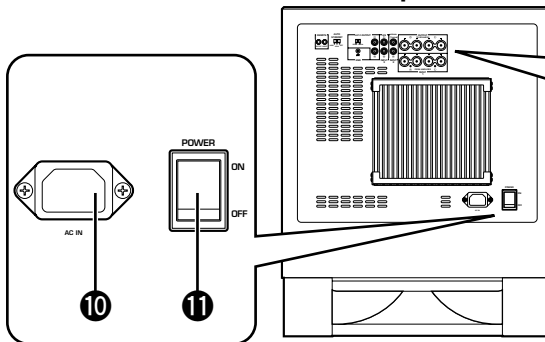
- Non ci devono essere degli ostacoli tra il telecomando e l'unità principale.
- Se il sensore del telecomando viene illuminato direttamente da una forte illuminazione (specialmente da una lampada fluorescente ad invertitore, ecc.), può non funzionare correttamente il telecomando. In questo caso, riorientare l'unità in modo da non esporre il sensore di telecomando a luce.

# COMANDI E LORO FUNZIONAMENTO

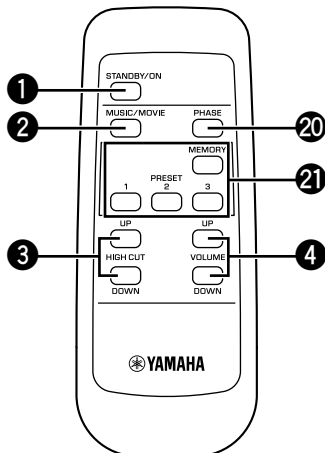
## Pannello anteriore



## Pannello posteriore



## Telecomando



- 1 Tasto **STANDBY/ON**  
Premere questo tasto per accendere. Premere lo stesso nuovamente per impostare il modo di attesa del subwoofer.  
\* Questo tasto può essere usato solo quando l'interruttore **POWER** (11) è sulla posizione ON.

### Modalità di attesa

Il subwoofer consuma una piccola quantità di corrente in questa modalità.

- 2 Interruttore **B.A.S.S.**  
Tasto **MUSIC/MOVIE**  
Premere questo tasto per selezionare il modo MOVIE e sarà riprodotto fedelmente il suono dei bassi del software video. Premere questo interruttore per selezionare il modo MUSIC e verrà riprodotto bene il suono dei bassi nel software audio.
- 3 Comando **HIGH CUT**  
Tasti **HIGH CUT UP/DOWN**  
Seleziona il limite superiore delle frequenze che devono essere riprodotte dal subwoofer.  
Per regolare il controllo sul pannello anteriore, mettere una moneta. ecc. nella fessura del controllo e girare lo stesso.

- 4** Controllo **VOLUME**  
Tasti **VOLUME UP/DOWN**  
Per regolare il livello del volume. Girare il controllo in senso orario o premere il tasto **UP** per aumentare il volume.  
Girare il controllo in senso antiorario o premere il tasto **DOWN** per diminuire il volume.  
Per regolare il controllo sul pannello anteriore, mettere una moneta. ecc. nella fessura del controllo e girare lo stesso.
- 5** Sensore del telecomando  
Riceve i segnali dal telecomando.
- 6** Indicatore di alimentazione (LED)  
Si illumina di verde quando si accende il subwoofer.  
Si illumina in rosso quando si accende il subwoofer nel modo di attesa tramite la funzione di commutazione automatica della corrente.
- 7** Indicatore **MUSIC/MOVIE** (LED)  
Si illumina in rosso quando si seleziona il modo **MUSIC** e in verde quando si seleziona il modo **MOVIE**.
- 8** Indicatore **PHASE** (LED)  
Si illumina in rosso quando è impostato il tasto **PHASE** (20) nel modo normale ed in verde quando è impostato nel modo inverso.
- 9** Indicatori **PRESET 1/2/3** (LED)  
Mostrano il numero **PRESET** (1, 2 o 3) selezionato.  
(Se il subwoofer entra nel modo di attesa quando è illuminato uno di questi indicatori, non si illuminerà nessun indicatore la prossima volta che si accende il subwoofer.)
- 10** Ingresso **CA (AC IN)**  
**<Modelli per USA, Canada, Europa e Corea>**  
Collegare il cavo d'alimentazione in dotazione a questa presa. Non collegare mai un cavo d'alimentazione diverso da quello incluso a questa presa. Inoltre, non collegare mai il cavo di alimentazione in dotazione ad un'altra unità.
- 11** Interruttore **POWER**  
Normalmente, questo interruttore deve essere sulla posizione **ON** per l'utilizzo del subwoofer. In questa modalità, potete attivare il subwoofer o attivare il modo di attesa premendo il tasto **STANDBY/ON** (1).  
Posizionare questo interruttore sulla posizione **OFF** per eliminare completamente l'alimentazione del subwoofer dalla linea **CA**.
- 12** Terminali **REMOTE**  
Questi terminali servono per un'installazione personalizzata del sistema. Quando il subwoofer è collegato ai componenti per l'installazione su misura, è possibile manovrare il subwoofer con il telecomando del sistema.
- 13** Interruttore per attivazione e disattivazione automatica **[AUTO STANDBY (HIGH/LOW/OFF)]**  
Questo interruttore inizialmente è sulla posizione **OFF**. Se si posiziona quest'interruttore nella posizione **HIGH** o **LOW**, la funzione di commutazione automatica della corrente del subwoofer funziona come alla pagina 14.  
Se non serve questa funzione, lasciare l'interruttore nella posizione **OFF**.
- 14** Terminale **GND**  
Collegare questo terminale al terminale di massa (**GND**) del ricevitore/amplificatore per ridurre il ronzio. (Fate riferimento alla pagina 10.)
- 15** Interruttore **H.P.F. (filtro di passo alto) OUTPUT**  
Seleziona il limite superiore delle frequenze che devono essere eliminate dai segnali in uscita dai terminali **H.P.F. OUTPUT**. Usare quest'interruttore solo quando i terminali **H.P.F. OUTPUT** sono usati per collegare l'amplificatore. (Vedere alla pagina 8 per ulteriori informazioni.)  
**Terminali H.P.F. OUTPUT**  
Questi terminali eliminano le frequenze al di sotto del punto della frequenza selezionato dall'interruttore **H.P.F. OUTPUT** dai segnali d'ingresso ed emette frequenze superiori.
- 16** Terminali **INPUT3 (LFE)**  
Il controllo **HIGH CUT** (4) non ha alcun effetto sui segnali inviati a questi terminali. (Vedere alla pagina 5 per ulteriori informazioni.)
- 17** Terminali **INPUT2**  
Usati per l'ingresso dei segnali di livello in linea dall'amplificatore.  
(Fate riferimento alla sezione "**COLLEGAMENTI**" per ulteriori informazioni.)
- 18** Terminali di uscita agli altoparlanti **[OUTPUT (TO SPEAKERS)]**  
Possono essere usati per il collegamento agli altoparlanti principali. I segnali in uscita dall'amplificatore vengono inviati direttamente agli altoparlanti principali. (Fate riferimento alla sezione "**COLLEGAMENTI**" per ulteriori informazioni.)
- 19** Terminali di ingresso dall'amplificatore **[INPUT1 (FROM AMPLIFIER)]**  
Usarli per collegare il subwoofer ai terminali altoparlanti dell'amplificatore.  
(Fate riferimento alla sezione "**COLLEGAMENTI**" per ulteriori informazioni.)
- 20** Tasto **PHASE**  
Normalmente, premere questo tasto per selezionare il modo inverso. Comunque, secondo la condizione di ascolto del vostro sistema di altoparlanti, ci possono essere dei casi in cui si può ottenere una migliore qualità sonora selezionando il modo normale.  
Selezionare il modo migliore ascoltando il suono. Nel modo inverso, l'indicatore **PHASE** si illumina in verde sul pannello anteriore e nel modo normale, si illumina in rosso.
- 21** Tasto **MEMORY** /tasto **PRESET**  
Usati per memorizzare e richiamare i dati dei controlli **B.A.S.S. [MUSIC/MOVIE]** (2), **VOLUME [VOLUME UP/DOWN]** (4), **HIGH CUT [HIGH CUT UP/DOWN]** (3) e **PHASE** (20). (Vedi alla pagina 16.)

# FUNZIONE DI ATTIVAZIONE E DISATTIVAZIONE AUTOMATICA

Se la fonte che riproducete viene fermata e il segnale d'entrata viene tagliato per 7–8 minuti, il subwoofer passa automaticamente alla modalità di attesa. (Quando il subwoofer entra nel modo di attesa tramite la funzione di commutazione automatica della corrente, l'indicatore di accensione si illumina di rosso.)

Quando riproducete di nuovo una fonte, la corrente del subwoofer si accende automaticamente attraverso la sensibilizzazione dei segnali audio d'entrata diretti al subwoofer.

La funzione opera in risposta ad un segnale di bassa frequenza in ingresso di un certo livello. Lasciare normalmente l'interruttore **AUTO STANDBY** nella posizione LOW. Tuttavia, se l'alimentazione non viene portata su ON o STANDBY in modo graduale, portare l'interruttore sulla posizione HIGH. Se si sceglie la posizione HIGH, l'apparecchio si accende anche ad un livello del segnale di ingresso molto basso. Tuttavia il subwoofer potrebbe non ritornare alla posizione di attesa se il segnale di ingresso è estremamente basso.

- \* L'apparecchio può accendersi inaspettatamente percependo segnali in interferenza provenienti da altre apparecchiature elettriche. In tal caso, portare l'interruttore **AUTO STANDBY** sulla posizione OFF.
- \* Questa funzione rivela i componenti a bassa frequenza al di sotto dei 200 Hz dei segnali d'entrata (ad es. un'esplosione in un film d'azione, il suono del basso o della batteria, ecc.).
- \* I minuti richiesti per accendere il subwoofer nella modalità d'attesa possono cambiare a causa di percezioni da altre applicazioni.

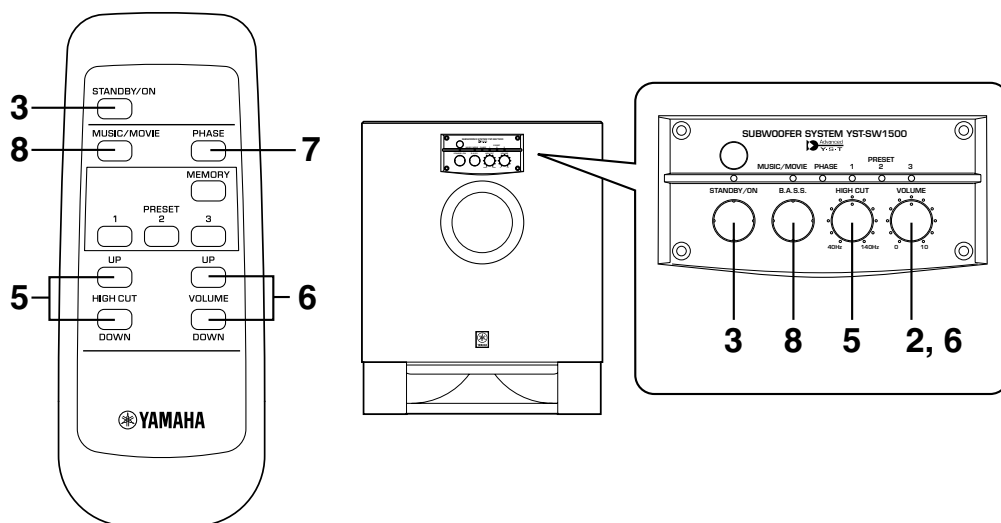
**Questa funzione è disponibile solo quando è accesa la corrente del subwoofer (collocando su "ON" il tasto STANDBY/ON).**

**Questa funzione non è disponibile se il subwoofer entra nel modo di attesa usando il tasto STANDBY/ON. (Si spegne l'indicatore di alimentazione sul pannello anteriore.)**



# REGOLAZIONI DEL SUBWOOFER PRIMA DELL'USO

Prima di passare all'uso del subwoofer, procedere alla regolazione nel modo indicato qui di seguito per ottenere un volume ed un bilanciamento del tono ottimali fra il subwoofer e gli altoparlanti principali.



- 1 Impostare il volume dell'amplificatore al minimo, quindi accendere l'amplificatore e gli altri componenti.
- 2 Girare il controllo **VOLUME** per impostare il controllo al minimo (0).
- 3 Assicurarsi che l'interruttore **POWER** sul pannello posteriore sia nella posizione ON, poi premere il tasto **STANDBY/ON** per attivare il subwoofer.
- 4 Riprodurre una fonte che contiene componenti a bassa frequenza e regolare il controllo del volume dell'amplificatore al livello di ascolto desiderato.
- 5 Girare il controllo **HIGH CUT** (o premere i tasti **HIGH CUT UP/DOWN** sul telecomando) per impostare il controllo nella posizione in cui si può ottenere la risposta desiderata.

Normalmente, collocare il controllo nella posizione della frequenza minima riproducibile dell'altoparlante principale\*.

\* La frequenza minima riproducibile nominale degli altoparlanti principali può essere reperita nel catalogo o nel manuale degli altoparlanti.

- 6 Riprodurre una sorgente prescelta e agire progressivamente sul comando del volume dell'amplificatore sino a portare il suono al livello di ascolto desiderato.

Normalmente, regolare il comando sul livello che permette di ottenere un effetto dei bassi leggermente maggiore di quando non si usa il subwoofer. Se non si riesce ad ottenere la risposta desiderata, regolare di nuovo il comando HIGH CUT e il comando VOLUME.

- 7 Premere il tasto **PHASE** per selezionare la modalità normale o quella inversa per ottenere un migliore effetto dei bassi.

Normalmente, selezionare la modalità inversa (l'indicatore PHASE è verde sul pannello anteriore). Se non è possibile ottenere la risposta desiderata, selezionare la modalità regolare (in modo tale che l'indicatore PHASE si illumina in rosso).

- 8 Selezionare "MOVIE" o "MUSIC" secondo al fonte riprodotta.

**MOVIE** (quando si illumina in verde l'indicatore MUSIC/MOVIE sul pannello anteriore):

Quando si riproduce una fonte tipo film, gli effetti di bassa frequenza vengono evidenziati per consentire all'ascoltatore di godersi un suono più potente. (Il suono diventa più pieno e profondo.)

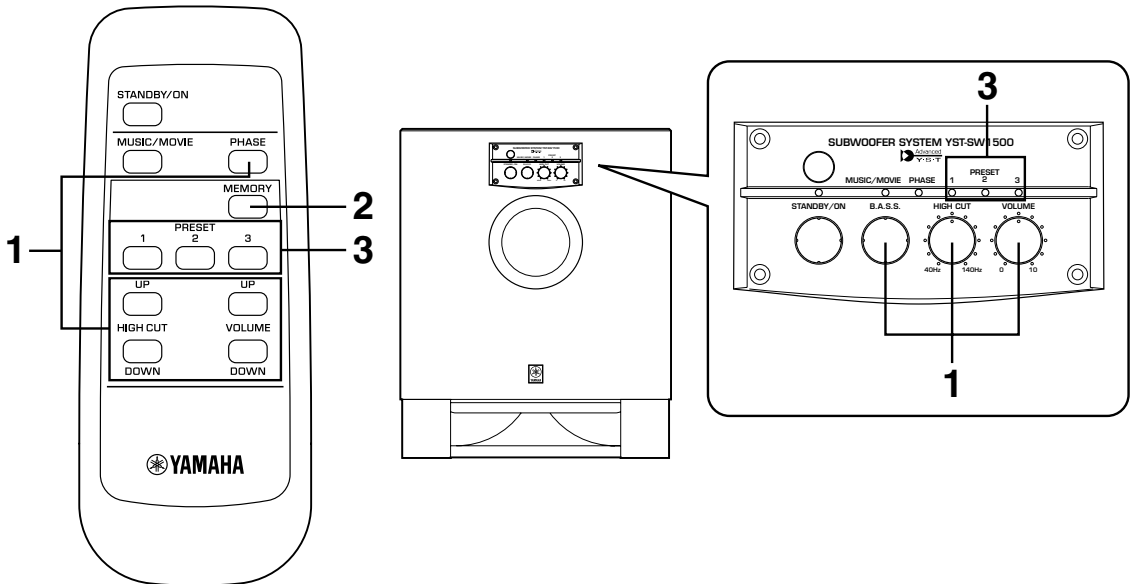
**MUSIC** (quando si illumina in rosso l'indicatore MUSIC/MOVIE sul pannello anteriore):

Quando si riproduce una fonte musicale normale, i componenti delle frequenze eccessivamente basse sono eliminate per rendere più limpido il suono. (Il suono sarà più leggero e la melodia sarà riprodotta in maniera più nitida.)

- **Una volta terminata la regolazione del bilanciamento del volume fra il subwoofer e gli altoparlanti principali, si potrà nuovamente procedere a regolare l'insieme generale del volume, agendo sui comandi dell'amplificatore per il comando del volume. Notare che, se si sostituiscono gli altoparlanti principali con altri, questa regolazione deve essere effettuata di nuovo.**
- **Per la regolazione del controllo VOLUME, del controllo HIGH CUT e del controllo PHASE, fate riferimento alla sezione "Caratteristiche di frequenza" alla pagina 17.**

## Memorizzazione dei dati di preselezione del controllo **VOLUME**, ecc.

Si possono memorizzare i dati di preselezioni del controllo **VOLUME**, del controllo **HIGH CUT**, del tasto **PHASE** e dell'interruttore **B.A.S.S.** secondo le impostazioni. Ciascuno dei tre tasti **PRESET** sul telecomando serve per memorizzare (e richiamare) un set di dati. Con questa funzione, si possono richiamare facilmente i dati di preselezione secondo la fonte.



### ■ Memorizzazione

- 1** Regolare il controllo **VOLUME**, il controllo **HIGH CUT**, il tasto **PHASE** e l'interruttore **B.A.S.S.**
- 2** Premere il tasto **MEMORY**. Lampeggiano gli indicatori dei numeri **PRESET** sul pannello anteriore.
- 3** Premere il tasto **PRESET 1**. Si illumina l'indicatore del numero **PRESET** corrispondente. Indica che sono stati memorizzati i dati in **PRESET 1**.

\* Procedere nello stesso modo per memorizzare altri dati in **PRESET 2** e **3**.

\* L'impostazione default di ciascuno dei tasti **PRESET** è adatta per l'uso del seguente sistemi di altoparlanti Yamaha con questo subwoofer.

**PRESELEZIONE 1:** NS-8HX, NS-6HX

**PRESELEZIONE 2:** NS-4HX

**PRESELEZIONE 3:** NS-2HX

### Note

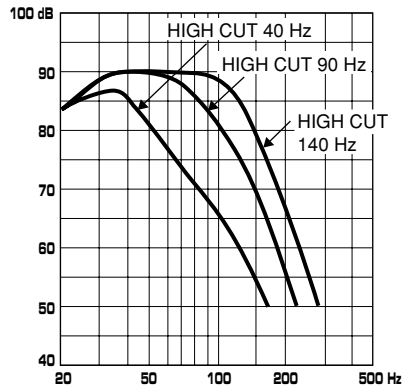
- E' possibile memorizzare una nuova impostazione anziché quella precedente.
- Se non si ottiene alcun effetto girando il controllo **VOLUME** o quello **HIGH CUT**, dopo aver premuto un tasto **PRESET**, premere un altro tasto **PRESET**.

### Protezione della memoria

Il circuito di protezione della memoria previene la perdita dei dati memorizzati anche se si spegne l'interruttore **POWER** oppure si scollega il cavo di alimentazione dalla presa CA o la corrente viene interrotta per via di una caduta della corrente temporanea. Se la corrente rimane scollegata per più di una settimana, verranno cancellati i contenuti della memoria. In tal caso, è possibile memorizzare i dati nuovamente semplicemente seguendo i passi forniti qui sotto.

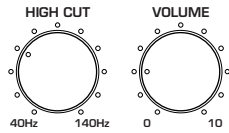
## Caratteristiche di frequenza

### Caratteristiche di frequenza di questo subwoofer

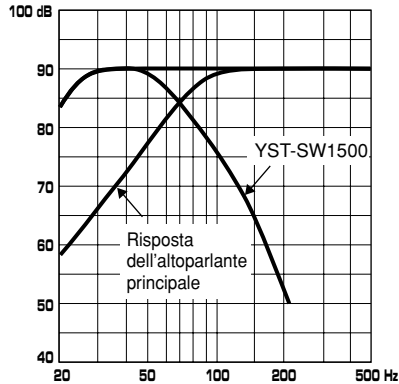


Le cifre sotto indicano le regolazioni ottimali di ciascun comando e le caratteristiche di frequenza quando questo subwoofer è combinato con un sistema altoparlanti tipico.

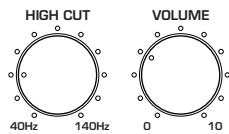
### ES.1 In combinazione con un sistema altoparlanti principali a 2 vie, con sospensione acustica di 10 cm o 13 cm



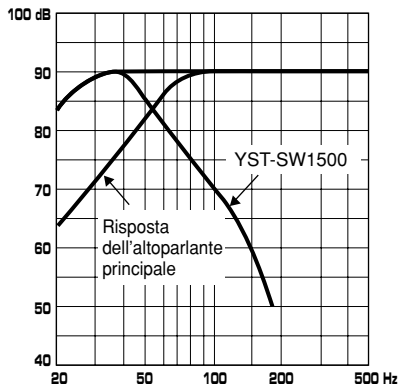
**PHASE**—Impostare la modalità inversa.  
**B.A.S.S.—MOVIE**



### ES.2 In combinazione con un sistema altoparlanti principali a 2 vie, con sospensione acustica di 20 cm o 25 cm



**PHASE**—Impostare la modalità inversa.  
**B.A.S.S.—MOVIE**



# ADVANCED YAMAHA ACTIVE SERVO TECHNOLOGY

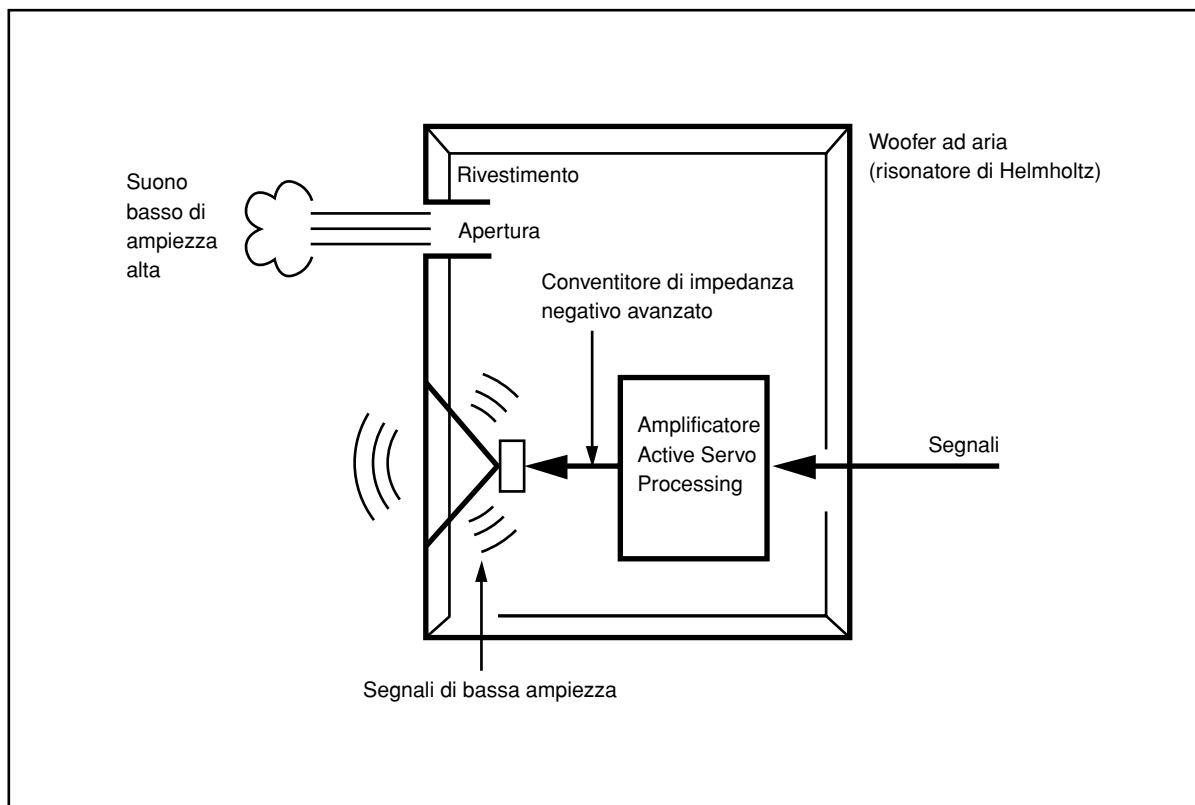
La teoria del sistema Yamaha Active Servo Technology (servotecnologia attiva) si basa su due fattori principali, il risonatore di Helmholtz e il drive a impedenza negativa. Gli altoparlanti Active Servo Processing (a servoelaborazione attiva) riproducono le basse frequenze tramite un "woofer ad aria", che è una piccola porta o apertura nel rivestimento degli altoparlanti. Questa apertura viene usata al posto del woofer ed esegue le funzioni di un woofer in un sistema altoparlanti convenzionale. Così, i segnali di bassa ampiezza all'interno del rivestimento possono, secondo la teoria della risonanza di Helmholtz, essere emessi da questa apertura come onde di ampiezza maggiore se le dimensioni dell'apertura e il volume del rivestimento sono nella proporzione corretta per soddisfare un certo rapporto. A questo scopo, inoltre, le ampiezze all'interno del rivestimento devono essere precise e di potenza sufficiente perché esse devono superare il "carico" presentato dall'aria esistente all'interno del rivestimento. Così questo problema viene risolto attraverso l'impiego di un nuovo design in cui l'amplificatore funziona per fornire i segnali.

Se la resistenza elettrica della bobina di altoparlante è ridotta a zero, il movimento dell'altoparlanti diventa lineare rispetto alla tensione di segnale. Per compiere ciò, viene usato un amplificatore speciale con drive di uscita a impedenza negativa per sottrarre l'impedenza di uscita dell'amplificatore.

Impiegando circuiti di drive a impedenza negativa, l'amplificatore è in grado di generare onde di bassa frequenza e bassa ampiezza precise con caratteristiche di smorzamento superiori. Queste onde vengono poi irradiate dall'apertura del rivestimento come segnali ad alta ampiezza. Il sistema può, di conseguenza, impiegando un amplificatore con drive di uscita a impedenza negativa e un rivestimento degli altoparlanti con risonatore di Helmholtz, riprodurre una gamma di frequenze estremamente ampia, con una sorprendente qualità sonora e una minore distorsione.

Le caratteristiche descritte sopra, quindi, sono combinate per costituire la struttura fondamentale del sistema Yamaha convenzionale Active Servo Technology.

La nuova servotecnologia attiva - Advanced Yamaha Active Servo Technology - adotta circuiti a convertitore di impedenza negativa avanzato (ANIC), che permettono al convertitore convenzionale di impedenza negativa di variare dinamicamente per poter selezionare un valore ottimale per la variazione di impedenza diffusori. Con questi nuovi circuiti ANIC, la servotecnologia attiva avanzata Yamaha può fornire prestazioni più stabili e una pressione sonora migliore rispetto alla servotecnologia attiva Yamaha convenzionale, per una riproduzione dei bassi più naturale e dinamica.



# DIAGNOSTICA

Se l'apparecchio non funziona correttamente vedere la tabella seguente. Se il problema che si deve risolvere non si trova elencato fra quelli descritti, o se il rimedio suggerito non sembra dare il risultato sperato, staccare il cavo di alimentazione e rivolgersi ad un rivenditore autorizzato YAMAHA o ad un centro assistenza.

Problema	Causa	Rimedio
<b>L'apparecchio non si accende sebbene il tasto STANDBY/ON sia in posizione ON.</b>	Il cavo di alimentazione non è stato collegato o l'interruttore POWER è stato posizionato nella posizione OFF.	Collegare in modo ben saldo il cavo di alimentazione alla presa AC IN del subwoofer e alla presa di uscita AC oppure collocare l'interruttore POWER nella posizione ON.
<b>Nessun suono.</b>	Il volume è impostato al livello minimo.	Aumentare il volume.
	I cavi degli altoparlanti non sono stati collegati in modo ben saldo.	Provvedere.
<b>Il livello del suono è troppo basso.</b>	I cavi degli altoparlanti non sono stati collegati correttamente.	Collegarli in modo corretto: L (sinistra) a L, R (destra) a R, "+" a "+" e "-" a "-".
	La regolazione dell'interruttore PHASE non è corretta.	Impostare l'interruttore PHASE in un'altra posizione.
	Si sta riproducendo una sorgente sonora con pochi suoni bassi.	Riprodurre una sorgente sonora che contenga basse frequenze. Regolare il comando HIGH CUT su una posizione più alta.
	Il suono è influenzato da onde stazionarie.	Riposizionare il subwoofer o modificare il parallelismo delle superfici, ponendo librerie, mobili, o altro, lungo le pareti della stanza.
<b>Il subwoofer non si attiva automaticamente.</b>	L'interruttore POWER si trova sulla posizione OFF.	Portare l'interruttore POWER sulla posizione ON.
	Impostare la modalità di attesa nel subwoofer premendo il tasto STANDBY/ON. (Non è illuminato l'indicatore di accensione.)	Attivare nuovamente il subwoofer premendo il tasto STANDBY/ON.
	L'interruttore AUTO STANDBY si trova sulla posizione OFF.	Portare l'interruttore AUTO STANDBY su una delle due posizioni "HIGH" o "LOW".
	Il livello del segnale in ingresso è troppo basso.	Spostare l'interruttore AUTO STANDBY sulla posizione "HIGH".
<b>Il subwoofer passa inaspettatamente alla modalità di attesa.</b>	Il livello del segnale in ingresso è troppo basso.	Spostare l'interruttore AUTO STANDBY sulla posizione "HIGH".
<b>Il subwoofer si accende inaspettatamente.</b>	C'è un'influenza da disturbi generati da apparecchi esterni, ecc.	Allontanare maggiormente il subwoofer da tali dispositivi e/o cambiare la posizione dei cavi altoparlante collegati. In alternativa, spostare l'interruttore AUTO STANDBY sulla posizione "OFF".
<b>L'interruttore generale della rete elettrica domestica potrebbe staccare l'alimentazione di corrente.</b>	Il subwoofer consuma troppa elettricità quando si invia un segnale ad alto livello al subwoofer.	Abbassare il volume dell'amplificatore o degli altri apparecchi collegati a questo apparecchio, o togliere l'alimentazione di corrente agli altri apparecchi non utilizzati.
<b>Il telecomando non funziona.</b>	La luce diretta del sole o una forte luce (di una lampada fluorescente ecc.) arriva direttamente sul sensore a distanza dell'unità principale.	Cambiare la posizione dell'unità principale.
<b>Diminuisce la distanza o il campo entro il quale si può usare il telecomando.</b>	Sono quasi scariche le pile di questo telecomando.	Sostituire le batterie con delle nuove.

## Nota

Quando viene inviato un livello eccessivamente alto al subwoofer per 5–15 minuti e l'indicatore di accensione inizia a lampeggiare per avvertirvi del pericolo di danneggiare l'amplificatore di potenza e l'altoparlante in questo sistema a subwoofer. Se l'ingresso del segnale dura per altri 5 minuti, il subwoofer entra automaticamente nella modalità di attesa.

# DATI TECNICI

---

**Tipo** ..... Advanced Yamaha Active Servo Technology  
(La servotecnologia attiva avanzata Yamaha)

**Pilota** ..... woofer conico da 30 cm  
tipo con schermatura magnetica

**Uscita amplificatore** ..... 1 kW/5Ω

**Risposta in frequenza** ..... da 16 Hz a 160 Hz (-10 dB)

## Alimentazione (a corrente alternata)

**Modelli per gli USA e il Canada** ..... 120V, 60 Hz

**Modelli per la GB e l'Europa** ..... 230V, 50 Hz

**Modello per l'Australia** ..... 240V, 50 Hz

**Modello per Corea** ..... 220V, 50 Hz

**Potenza assorbita** ..... 250W

**Potenza assorbita in standby** ..... 1,0W

**Dimensioni (L x A x P)** ..... 420 mm x 511 mm x 448 mm

**Peso** ..... 29 kg

\* Tutti i dati tecnici sono soggetti a variazioni senza preavviso.

## PRECAUCIÓN: Leer este manual de instrucciones antes de poner en funcionamiento el aparato.

Antes de utilizar los altavoces, lea las siguientes precauciones de operación. YAMAHA no será responsable de daños y/o lesiones personales causados por no seguir las precauciones de abajo.

- Lea cuidadosamente este manual para obtener el mejor rendimiento posible. Manténgalo en un lugar seguro para utilizarlo como referencia en el futuro.
- Instale esta unidad en un lugar fresco, seco y limpio, alejado de ventanas, aparatos que produzcan calor, lugares con muchas vibraciones, polvo, humedad o frío. Evite aparatos que causen ruidos de zumbido (transformadores y motores). Para evitar incendios o descargas eléctricas, no exponga esta unidad a la lluvia o al agua.
- No abra nunca la caja. Si se introdujese algún objeto extraño en el interior del aparato, póngase en contacto con su concesionario más cercano.
- El voltaje a utilizar debe de ser el mismo que el especificado en el panel trasero. Es peligroso utilizar esta unidad con un voltaje superior al especificado y puede causar un incendio y/o descarga eléctrica.
- Para evitar incendios o descargas eléctricas, no exponga este aparato a la lluvia o a la humedad.
- No utilice a la fuerza los conmutadores, controles o cables. Cuando tenga que mover el aparato, cerciórese de desenchufar primero el enchufe del cable de la alimentación y los cables que conectan al aparato con otros equipos. No tire nunca de los cables en sí.
- Cuando no se va a usar el aparato por un largo tiempo (ej. vacaciones, etc.) desconecte el enchufe de alimentación de CA del tomacorriente.
- Para evitar daños debidos a relámpagos, desenchufe el cable de la alimentación durante tormentas eléctricas.
- Este sistema irradia calor por el panel trasero debido a que tiene un amplificador de potencia incorporado. Coloque la unidad separada de paredes, dejando suficiente espacio sobre, detrás, y ambos lados de la misma como para evitar un incendio o daños. Tampoco, se debe colocar con el panel trasero contra el piso o apoyado sobre otras superficies. Deje un espacio de por lo menos 20 cm, sobre, detrás y a ambos lados de la unidad.
- No cubra el panel trasero de este aparato con un diario, mantel, cortina, etc. para no tapar la salida del calor. Si la temperatura en el interior del aparato sube puede provocar un incendio, daño del aparato y/o heridas.
- No coloque pequeños objetos metálicos en esta unidad. En caso contrario, el objeto podría caerse, causando lesión.
- No colocar los siguientes objetos en este aparato:  
Vidrio, porcelana, etc.  
Si el vidrio, etc. se cae por la vibración, puede provocar heridas.  
Una vela encendida, etc.  
Si la vela se cae por la vibración puede provocar un incendio y heridas.  
Un recipiente con agua  
Si el recipiente se cae por la vibración y el agua se derrama puede provocar un daño en el aparato y/o puede recibir una descarga eléctrica.
- No coloque esta unidad en un lugar donde puedan caer objetos extraños como gotas de agua. Podría causarse un incendio, daños a esta unidad, y/o lesiones personales.
- No coloque objetos frágiles cerca del terminal YST de esta unidad. Si el objeto se cae por la presión del aire, puede dañar la unidad y/o provocar heridas.

- No ponga una mano o un objeto extraño en el puerto YST ubicado en la parte delantera de esta unidad. Cuando transporte esta unidad, no sujete el puerto ya que puede provocar heridas y/o daños en esta unidad.
- No abra el mueble. Puede provocar una descarga eléctrica porque esta unidad utiliza alta tensión. También puede provocar heridas y/o daños en esta unidad.
- Cuando utilice un humidificador, asegúrese de evitar la condensación dentro esta unidad dejando suficiente espacio alrededor esta unidad o evitando el exceso de humidificación. La condensación podría causar un incendio, daños a esta unidad, y/o descarga eléctrica.
- Las frecuencias de supergraves generadas por este sistema pueden hacer que el giradiscos emita aullidos. En este caso, aleje el sistema del tocadiscos.
- Esta unidad puede dañarse si salen continuamente ciertos sonidos a un nivel de volumen alto. Por ejemplo, si salen continuamente ondas sinusoidales de 20 Hz–50 Hz de un disco de prueba y sonidos graves de instrumentos electrónicos o cuando la púa de un tocadiscos toca la superficie de un disco, baje el nivel de volumen para no dañar esta unidad.
- Si se escuchan sonidos distorsionados (ej. sonidos raros, "golpeteos" o "martilleos" intermitentes) provenientes del aparato, baje el nivel del volumen. Si se reproducen con el volumen alto pistas de sonido de películas de baja frecuencia, sonidos con bajos fuertes o música de similares características se podría dañar el sistema de altavoces.
- La vibración generada por las frecuencias de ultr Graves pueden causar la distorsión de las imágenes de un televisor. En este caso, aleje el sistema del televisor.
- No limpie esta unidad con disolventes químicos porque podría dañarse el acabado. Utilice para la limpieza un paño limpio y seco.
- No deje de leer la sección "LOCALIZACIÓN DE AVERÍAS" donde se dan consejos sobre los errores de utilización antes de llegar a la conclusión de que su aparato está averiado.
- **La instalación en un lugar seguro es responsabilidad del propietario.**  
**YAMAHA no se hace responsable por ningún accidente provocado por una instalación incorrecta de los altavoces.**

### Modo de espera

Cuando se desconecta esta unidad oprimiendo el botón STANDBY/ON en el panel delantero la unidad sigue consumiendo una pequeña cantidad de corriente. Este estado se llama modo de espera. Se desconecta completamente la alimentación eléctrica de CA de esta unidad sólo cuando el interruptor POWER se ajusta a la posición OFF o cuando se desconecta el cable de alimentación de CA.

Este sistema tiene un blindaje magnético, pero existe la posibilidad que si se coloca demasiado cerca de un televisor las imágenes se pueden distorsionar. Si esto sucede, el sistema se debe alejar del televisor.

# CONTENIDO

---

<b>COMPROBACIÓN DE LOS ACCESORIOS</b> ..... Interior de la cubierta delantera	<b>NOTAS SOBRE EL CONTROL REMOTO</b> ..... 11
<b>PRECAUCIÓN</b> ..... 1	<b>CONTROLES Y SUS FUNCIONES</b> ..... 12
<b>FUNCIONES</b> ..... 2	<b>FUNCIÓN DE CONMUTACIÓN AUTOMÁTICA DE LA ALIMENTACIÓN</b> ... 14
<b>COLOCACIÓN</b> ..... 3	<b>AJUSTE DEL ALTAVOZ DE ULTRAGRAVES ANTES DE UTILIZARLO</b> ..... 15
<b>CONEXIONES</b> ..... 4	Almacenamiento de los datos predeterminados del control VOLUME, etc. .... 16
Conexión a los terminales (clavija) de salida de línea del amplificador ..... 4	Características de las frecuencias ..... 17
Conexión a los terminales de salida del altavoz del amplificador ..... 6	<b>ADVANCED YAMAHA ACTIVE SERVO TECHNOLOGY</b> ..... 18
Conexión a los terminales H.P.F. OUTPUT ..... 8	<b>LOCALIZACIÓN DE AVERÍAS</b> ..... 19
Conexión a tierra ..... 10	<b>ESPECIFICACIONES</b> ..... 20
Conexión del cable de alimentación CA... 11	

## FUNCIONES

---

- Este sistema de altavoces de ultr Graves emplea Advanced YAMAHA Active Servo Technology de YAMAHA que ha sido desarrollada para reproducir sonidos super Graves de excelente calidad. (Consulte la página 18 para más detalles sobre ADVANCED YAMAHA ACTIVE SERVO TECHNOLOGY.) Este sonido de super Graves añade un efecto más realista de cine en el hogar a su sistema estéreo.
- Este altavoz de ultr Graves se puede agregar fácilmente al sistema de audio existente conectándolo a los terminales de altavoces o los terminales de salida de línea (clavija) del amplificador.
- Para el uso efectivo del altavoz de ultr Graves, el sonido de super Graves del altavoz de ultr Graves debe igualar al de los altavoces principales. Usted podrá crear sonido de la mejor calidad utilizando el control HIGH CUT y el botón PHASE.
- Puede efectuar cambios en la configuración y los ajustes del altavoz de ultr Graves mediante el control remoto sin moverse de la posición de escucha.
- La función de conmutación eléctrica automática le ahorra la molestia de presionar el botón STANDBY/ON para conectar y desconectar la alimentación.
- Puede seleccionar el efecto de graves adecuado para la fuente mediante el botón B.A.S.S.
- El uso de los terminales H.P.F. OUTPUT para la conexión con el amplificador resulta útil para mejorar la calidad del sonido de su sistema de altavoces.  
Esta conexión evita el deterioro de la salida de sonido de los altavoces principales como consecuencia del filtrado de bajas frecuencias de señales de entrada para enviarlas a los altavoces principales que no son adecuados para la reproducción de bajas frecuencias.

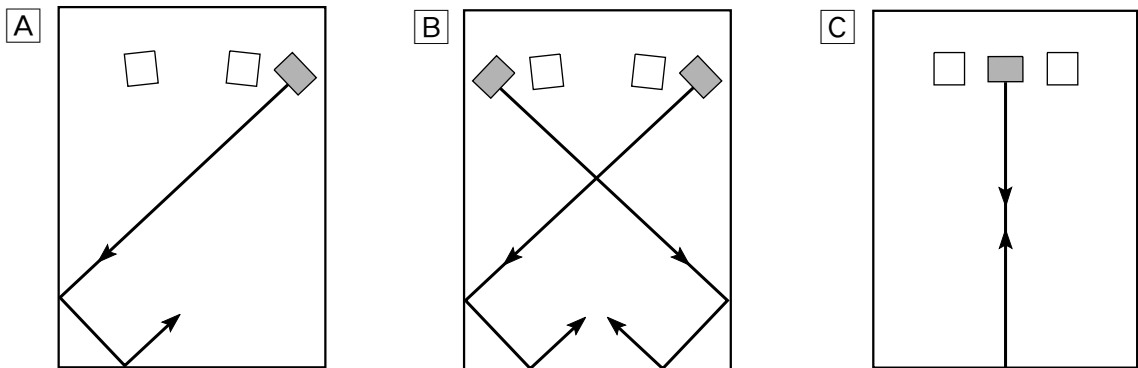
**QD-Bass**  
TECHNOLOGY

### Tecnología QD-Bass

La tecnología QD-Bass (Bajo de dispersión Quatre) utiliza unas placas cuadradas y reflectantes de forma piramidal para emitir el sonido en cuatro direcciones diferentes.



# COLOCACIÓN



(■ : altavoz de ultr Graves, □ : altavoz principal)

Un solo altavoz de ultr Graves es suficiente para el sistema de audio, sin embargo, si se usan dos altavoces de ultr Graves se logrará una mayor efecto de sonido.

Al usar un altavoz de ultr Graves, se recomienda colocarlos del lado de afuera de los altavoces principales derecho e izquierdo. (Consulte la fig. [A].) Si se usan dos altavoces de ultr Graves, se recomienda colocarlos del lado de afuera de ambos altavoces principales. (Consulte la fig. [B].) La ubicación indicada en la fig. [C] también se puede usar, sin embargo, si el sistema de ultr Graves se coloca mirando directamente la pared, el efecto de los graves se perderá debido a que el sonido de ellos y el sonido reflejado por la pared se anularán entre sí. Para evitar que esto suceda, coloque el sistema de ultr Graves en ángulo tal como se indica en la fig. [A] o [B].

## Nota

Puede darse el caso que al usar este altavoz de ultr Graves no se logre obtener un buen sonido de ultr Graves al escuchar en el centro de la sala. Esto se debe a que las "ondas estacionarias" se generan entre dos paredes paralelas y cancelan el sonido de los graves.

En ese caso, coloque el altavoz de ultr Graves oblicuamente a la pared. También puede ser útil romper el paralelismo de las superficies colocando bibliotecas, etc. a lo largo de las paredes.

# CONEXIONES

**Precaución: Enchufe el altavoz de ultr Graves y otros componentes de audio/vídeo después de que haya finalizado todas las conexiones.**

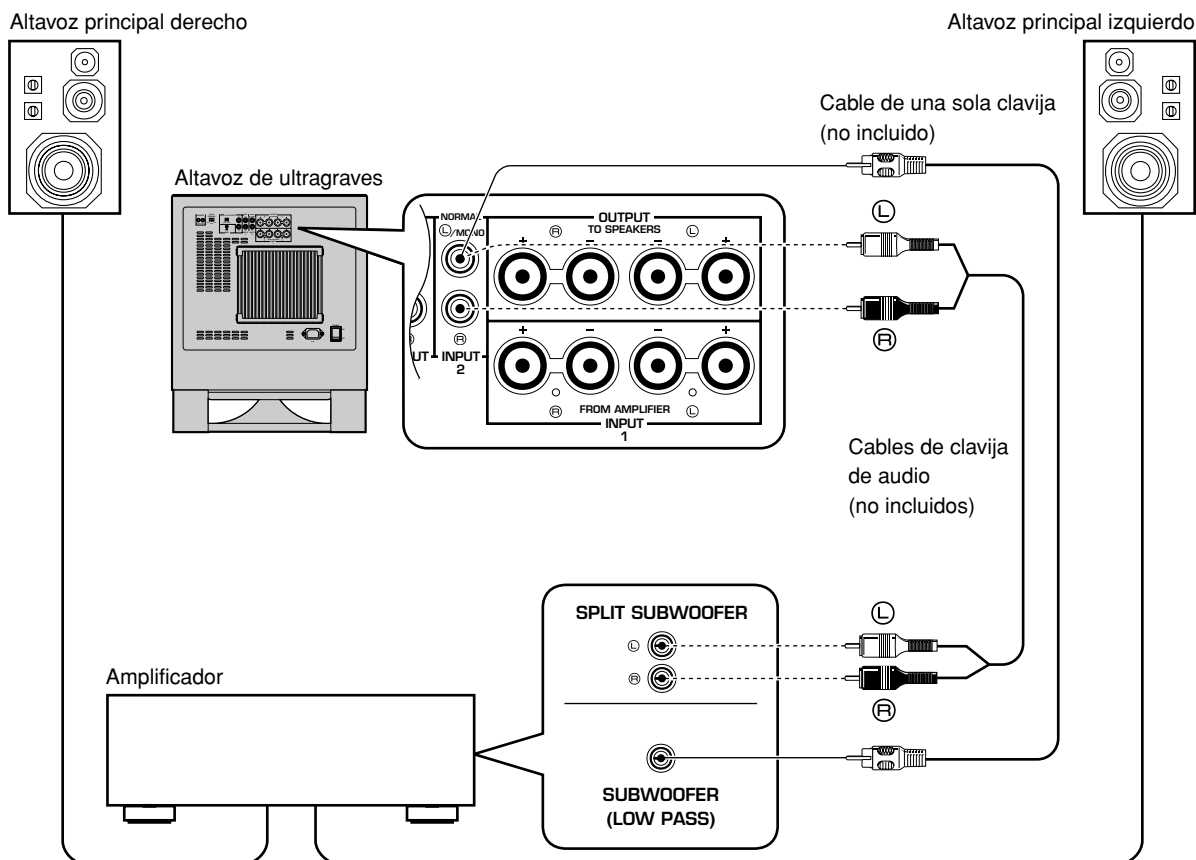
- Todas las conexiones deben ser las correctas con el L (izquierdo) al L y el R (derecho) al R, el “+” al “+” y el “-” al “-”. También consulte el manual de instrucciones de cada uno de sus componentes.
- El altavoz de ultr Graves se puede conectar a los terminales de salida (clavijas) o los terminales de salida de los altavoces del amplificador. Elija una de las maneras indicadas en esta sección que sea más apropiado a su sistema de audio. También consulte el manual de instrucciones de su equipo que se va a conectar al altavoz de ultr Graves. Básicamente, conecte el altavoz de ultr Graves en los terminales de salida de línea (clavija) del amplificador. (Para más detalles consulte las páginas 4 y 5.) Si su amplificador no dispone de un terminal de salida de línea, conecte el altavoz de ultr Graves a los terminales de salida del altavoz del amplificador. (Para más detalles consulte las páginas 6 y 7.)

## Conexión a los terminales (clavija) de salida de línea del amplificador

Conecte los altavoces principales a los terminales de salida de altavoces del amplificador.

- Para conectar un amplificador DSP YAMAHA (o receptor AV), conecte los terminales SUBWOOFER (o LOW PASS, etc.) del panel posterior del amplificador DSP (o receptor AV) a los terminales L/MONO INPUT2 del altavoz de ultr Graves.
- Cuando conecte el altavoz de ultr Graves en los terminales SPLIT SUBWOOFER de la parte trasera del amplificador DSP, asegúrese de conectar el terminal L/MONO INPUT2 en el lado “L” y los terminales R INPUT2 en el lado “R” de los terminales SPLIT SUBWOOFER.

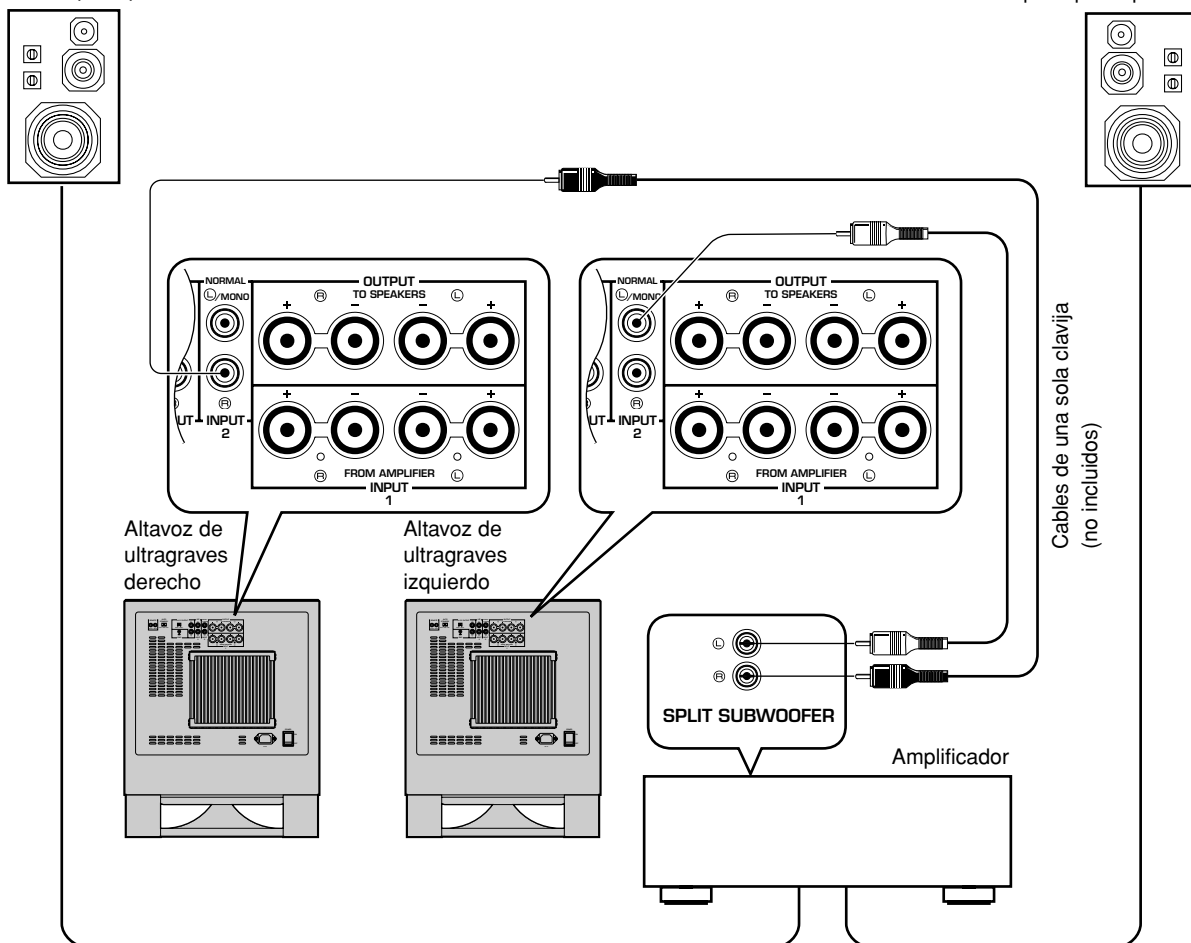
## ■ Utilización de un altavoz de ultr Graves



## ■ Utilización de dos altavoces de ultr Graves

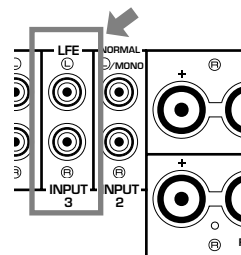
Altavoz principal derecho

Altavoz principal izquierdo



## ■ Conexión al(a los) terminal(es) LFE (INPUT3)

Si su amplificador puede reducir las frecuencias altas de las señales antes de su envío al altavoz de ultr Graves, conecte el amplificador al(a los) terminal(es) LFE (INPUT3) del altavoz de ultr Graves. Esto le aportará mejor calidad de sonido debido a que el enrutamiento de la señal del altavoz de ultr Graves se reduce al derivarse al circuito HIGH CUT integrado.



### Notas

- Algunos amplificadores disponen de terminales de salida de línea con la etiqueta PRE OUT. En caso de conectar un altavoz de ultr Graves a los terminales PRE OUT del amplificador, utilice un amplificador que tenga por lo menos dos juegos de terminales PRE OUT. Si el amplificador sólo tiene un juego de terminales PRE OUT no conecte el altavoz de ultr Graves a los terminales PRE OUT. En su lugar, conecte el altavoz de ultr Graves a los terminales de salida de altavoz del amplificador. (Consulte las páginas 6 y 7.)

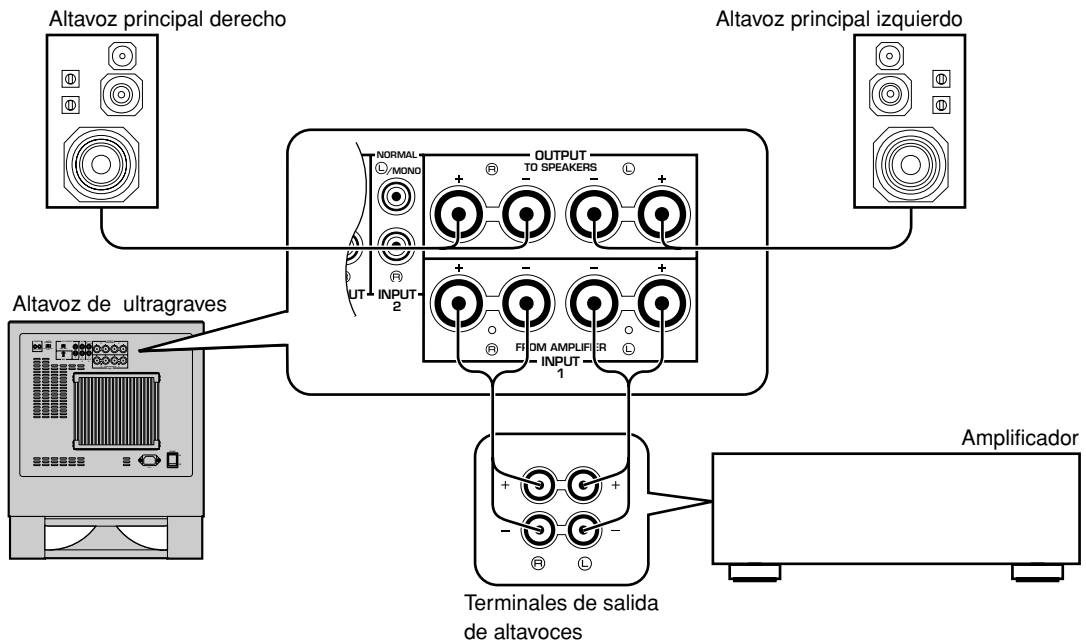
- Cuando se realiza la conexión a un terminal de salida de línea monoaural, conecte el terminal L/MONO INPUT2.
- Al conectarlo a los terminales de salida de línea del amplificador, no se deben conectar otros altavoces a los terminales OUTPUT del panel trasero del altavoz de ultr Graves. Si se conectan, no saldrá ningún sonido.

## Conexión a los terminales de salida del altavoz del amplificador

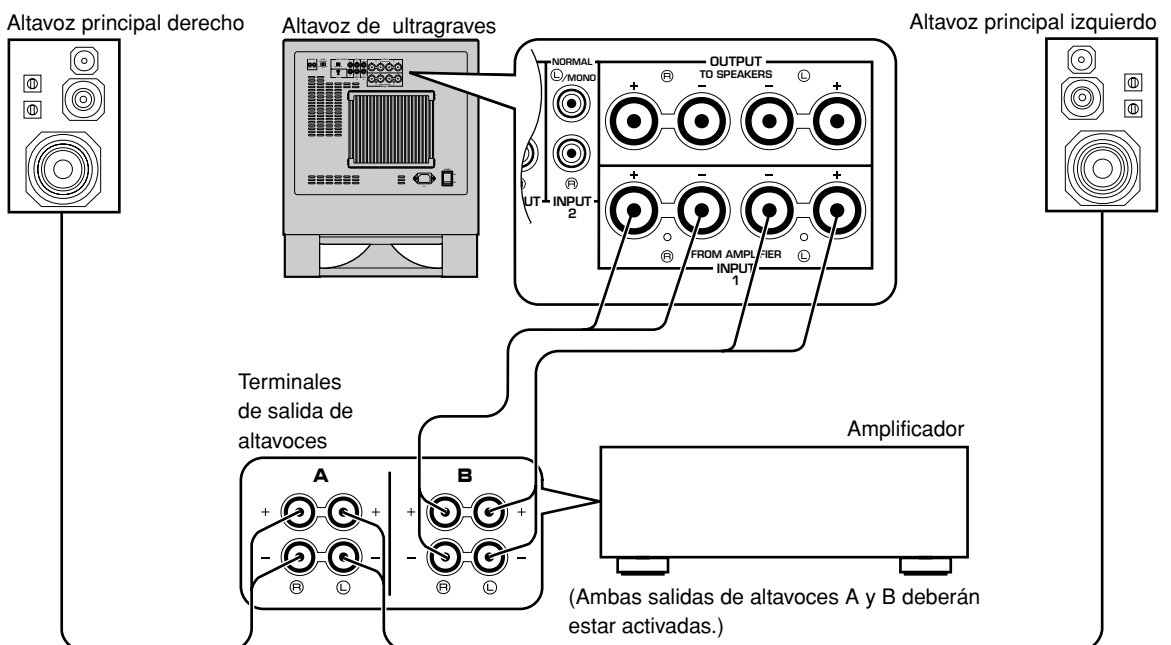
### ■ Utilización de un altavoz de ultr Graves

#### Si su amplificador tiene un solo juego de terminales de salida de altavoces principales

Conecte los terminales de salida de altavoces del amplificador a los terminales INPUT1 del altavoz de ultr Graves y conecte los terminales OUTPUT del altavoz de ultr Graves en los altavoces principales.

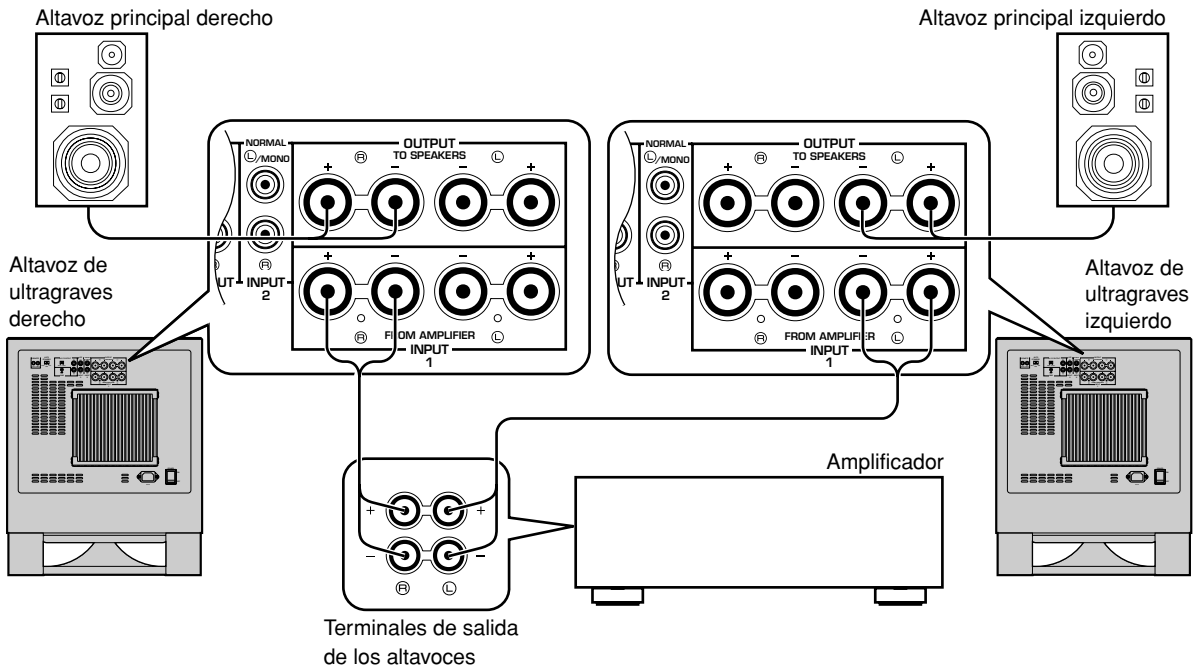


#### Si su amplificador tiene dos juegos de terminales de salida de altavoces



## ■ Utilización de dos altavoces de ultr Graves

Conecte los terminales de salida de altavoces del amplificador a los terminales INPUT1 del altavoz de ultr Graves y conecte los terminales OUTPUT del altavoz de ultr Graves en los altavoces principales.

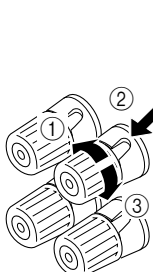
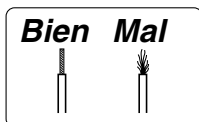


## Conexión a los terminales INPUT1/OUTPUT del altavoz de ultr Graves

Para las conexiones, mantenga los cables de altavoz lo más corto posibles. No junte o enrolle la parte de cables que están demasiado largos. Si las conexiones son defectuosas, no se escuchará ningún sonido del altavoz de ultr Graves o de los altavoces, o de ninguna de las dos fuentes. Asegúrese de que las marcas de polaridad + y - de los cables del altavoz se respetan y ajustan correctamente. Si dichos cables están conectados con la polaridad invertida, el sonido tendrá poca naturalidad y sentirá que faltan graves.

### Como conectar:

Rojo: positivo (+)  
Negro: negativo (-)



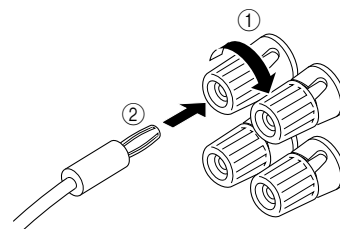
- ① Afloje la perilla.
- ② Inserte el cable pelado. [Pelar aprox. 10 mm desde los cables del altavoz.]
- ③ Apriete la perilla y fije el cable.

### Precaución

No deje que los cables pelados se toquen pues el altavoz de ultr Graves, el amplificador o ambos se pueden dañar.

<Sólo en modelos para EE.UU., Canadá, Australia y Corea>

También puede realizarse conexiones con clavijas banana.



- ① Apriete la perilla del terminal.
- ② Inserte la clavija banana en el terminal.

## Conexión a los terminales H.P.F. OUTPUT

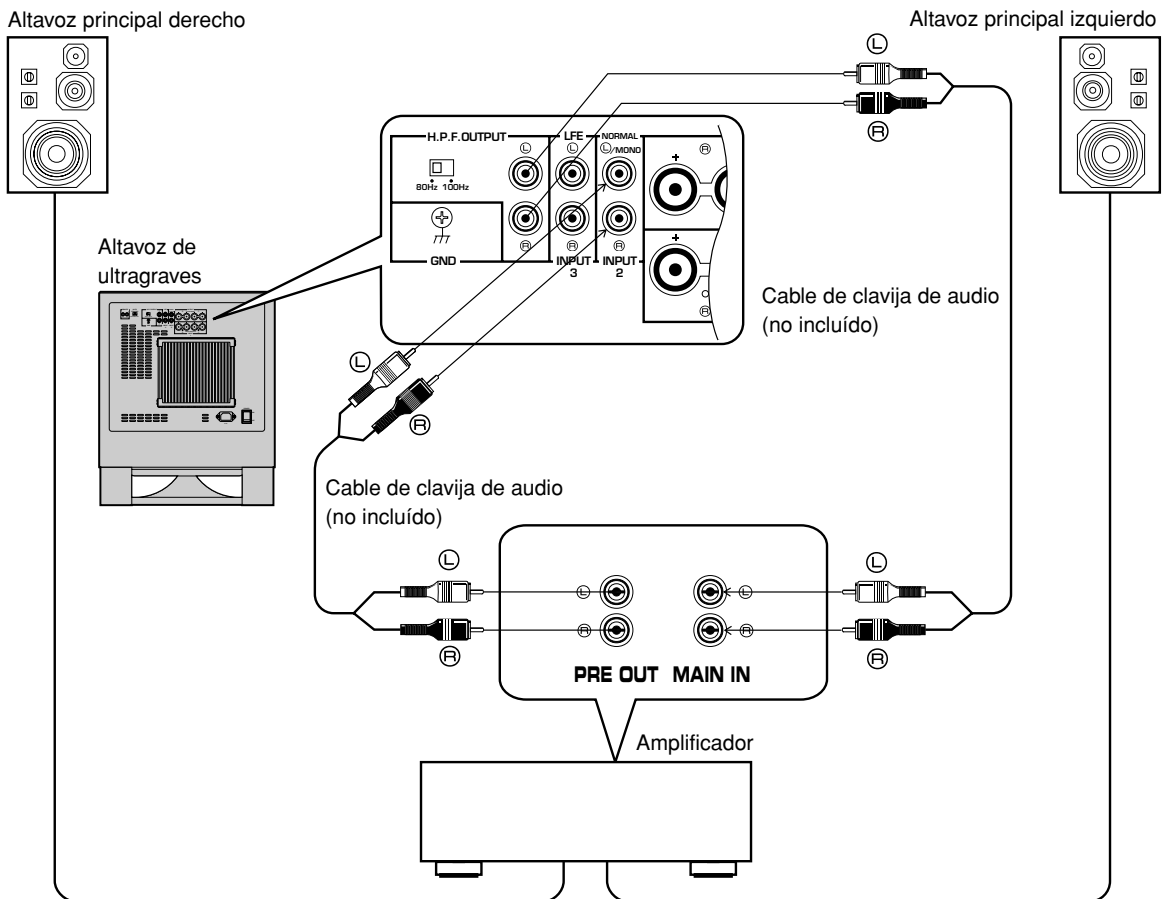
El empleo de los terminales H.P.F. OUTPUT para conexiones con el amplificador mejorará la calidad del sonido de su sistema de altavoces.

Los terminales H.P.F. (High-Pass Filter) OUTPUT del altavoz de ultr Graves reducen las frecuencias inferiores al punto de frecuencia seleccionada desde las señales de entrada y emite sólo frecuencias altas. Al conectar este terminal con los terminales MAIN IN del amplificador, los altavoces principales reproducen sólo frecuencias altas.

Esto permitirá que la calidad de sonido sea clara al evitar la distorsión del sonido entre los altavoces principales y el altavoz de ultr Graves.

\* Puede efectuar esta conexión si su amplificador tiene terminales PRE OUT y MAIN IN o si utiliza amplificadores separados (preamplificador y amplificador principal).

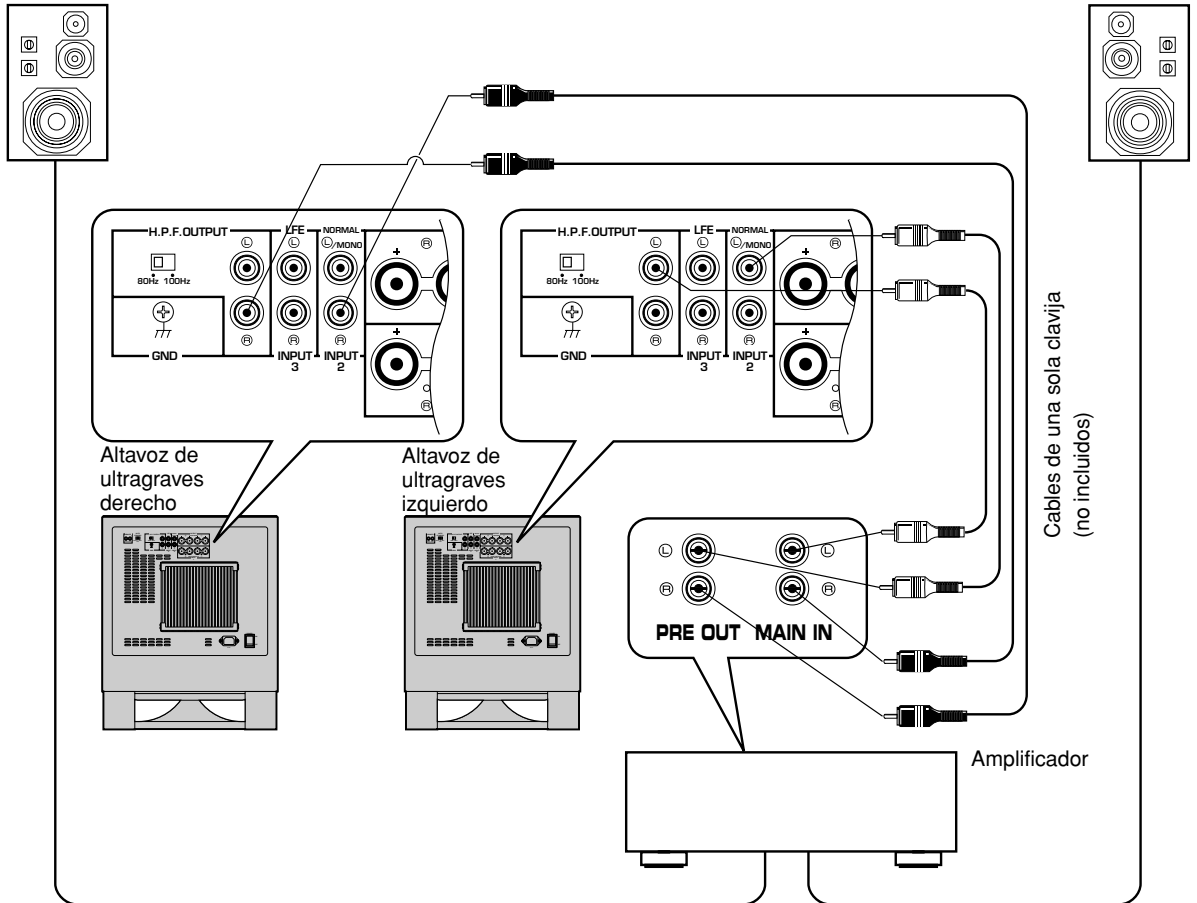
### ■ Para conectar sólo una unidad



## ■ Para conectar dos unidades

Altavoz principal derecho

Altavoz principal izquierdo

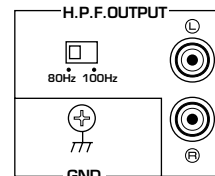


## Conmutación del conmutador H.P.F. OUTPUT

Después de realizar la conexión, seleccione el punto de frecuencia deseada (80 Hz o 100 Hz) con el conmutador **H.P.F. OUTPUT**.

(Normalmente, se recomienda seleccionar el punto de frecuencia más cercano a la frecuencia mínima reproducible de los altavoces principales.)

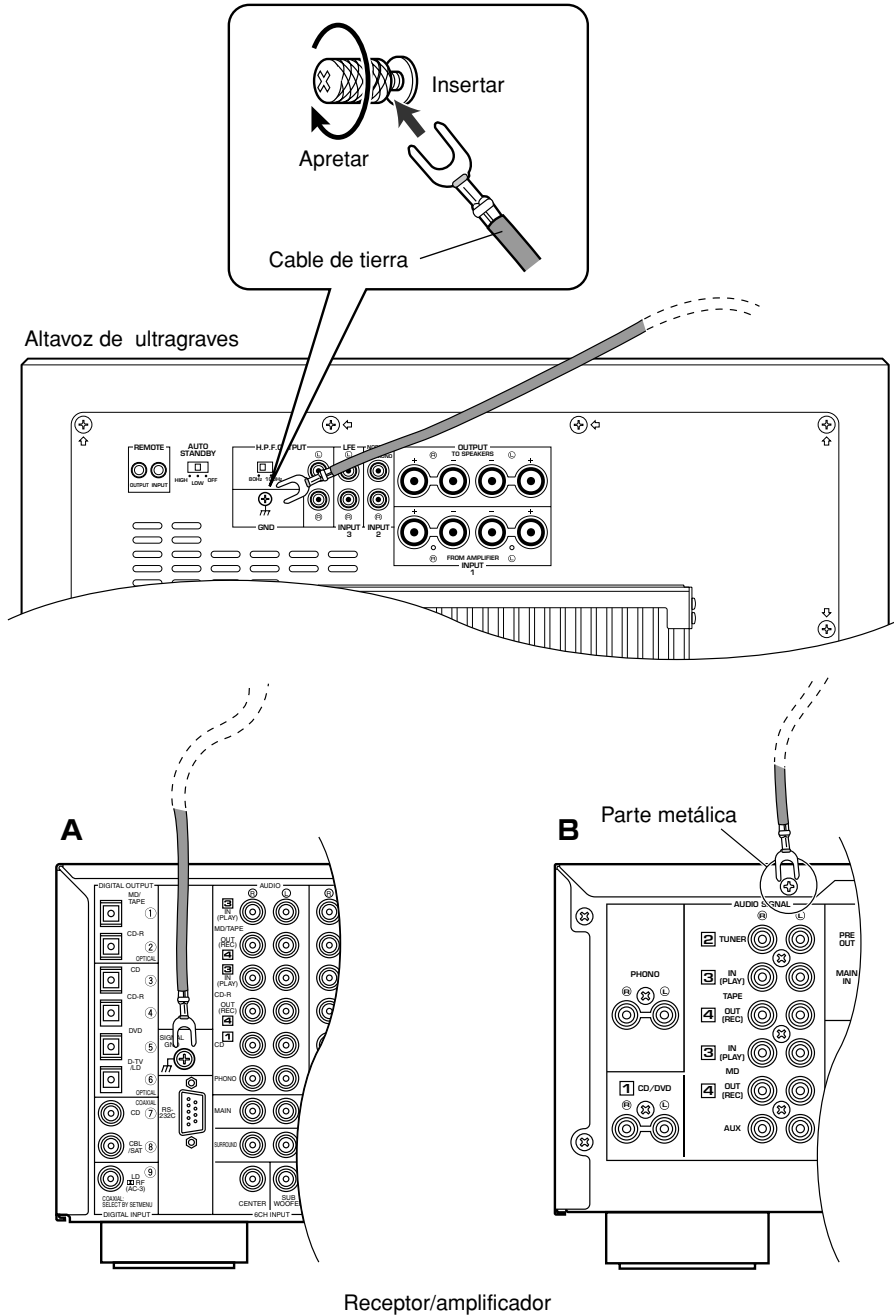
Las frecuencias superiores a la seleccionada se emiten desde los terminales **H.P.F. OUTPUT**.



## Conexión a tierra

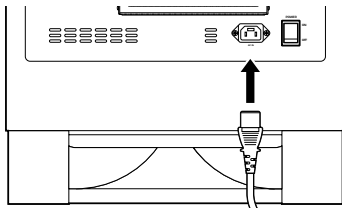
Si se escucha un zumbido cuando se utiliza el altavoz de ultragraves conectado a los terminales del altavoz, conecte el altavoz de ultragraves y el receptor/amplificador con el cable de tierra, tal como se muestra en la ilustración A.

\* Si no hay ningún terminal de tierra (GND) en el lado del receptor/amplificador, conecte el cable a un tornillo que fije la cubierta superior del receptor/amplificador al panel trasero, tal como se muestra en la ilustración B.



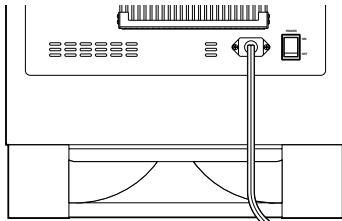


## Conexión del cable de alimentación CA



(Modelo de EE.UU.)

→ A un tomacorriente de CA



(Modelo del R.U.)

→ A un tomacorriente de CA

### <Sólo en modelos para EE.UU., Canadá, Europa y Corea>

Cuando se hayan completado todas las conexiones, enchufe el cable de alimentación incluido en la toma de entrada CA AC IN del altavoz de ultragraves y después enchufe el cable de alimentación a la toma de la pared.

#### Notas

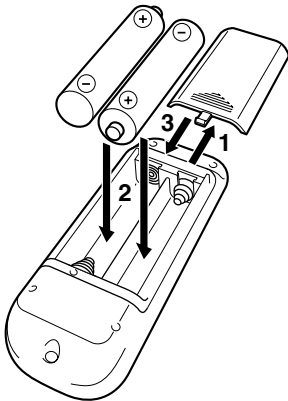
- No conecte nunca ningún cable de alimentación que no sea el incluido en el altavoz de ultragraves. De lo contrario, podrían ocasionarse incendios o descarga eléctrica.
- No conecte el cable de alimentación incluido a ninguna unidad que no sea este altavoz de ultragraves.

### <Modelos del R.U. y Australia>

Enchufe el altavoz de ultragraves en la toma de la pared.

## NOTAS SOBRE EL CONTROL REMOTO

### Instalación de las pilas



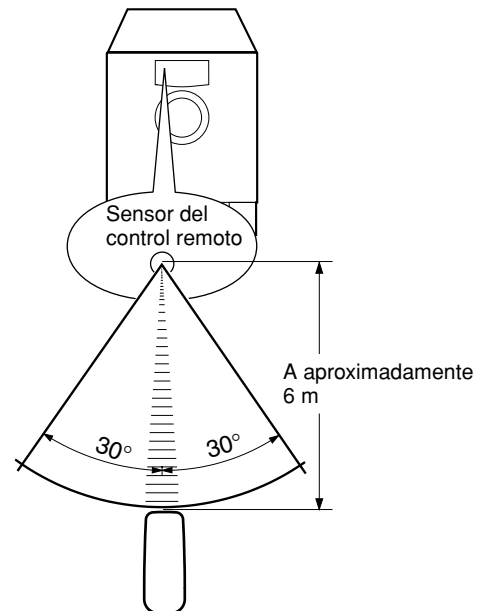
### Sustitución de la pila

Si descubre que el control remoto debe utilizarse demasiado cerca de la unidad principal, significa que las pilas están casi gastadas. Sustituya las dos pilas por otras nuevas.

#### Notas

- Utilice sólo pilas AA, R6, UM-3 como repuesto.
- Asegúrese de las polaridades son correctas. (Vea la ilustración en el interior del compartimento de las pilas.)
- Saque las pilas si no va a utilizar el control remoto durante un periodo de tiempo prolongado.
- Si las pilas gotean, deséchelas inmediatamente. Evite tocar el material con fugas y no deje que entre en contacto con la ropa, etc. Limpie exhaustivamente el compartimiento de las pilas antes de instalar pilas nuevas.

### Margen de funcionamiento del control remoto

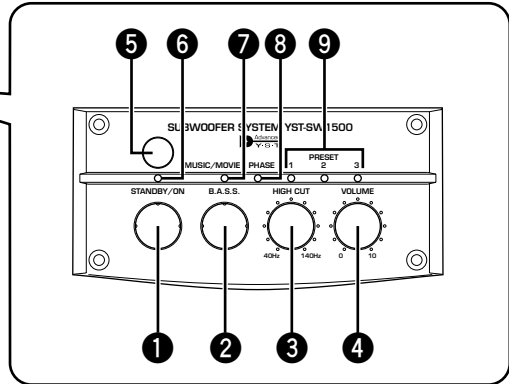
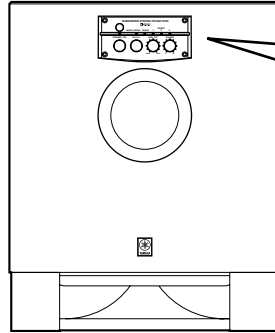


#### Notas

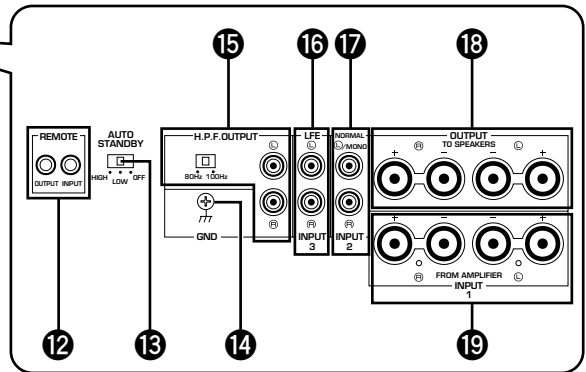
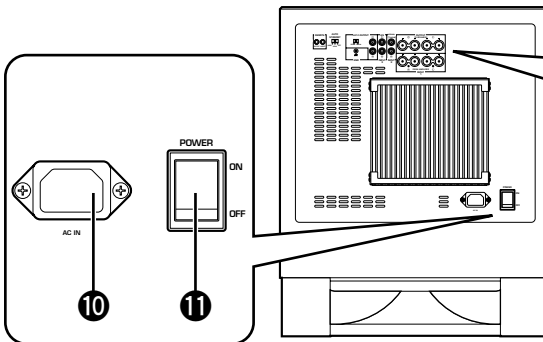
- No debería haber obstáculos considerables entre el control remoto y la unidad principal.
- Si el sensor del control remoto está iluminado directamente por una luz fuerte (especialmente un tipo invertido de luz fluorescente, etc), podría ocasionar que el control remoto no funcionara correctamente. En este caso, cambien la ubicación la unidad principal para evitar la luz directa.

# CONTROLES Y SUS FUNCIONES

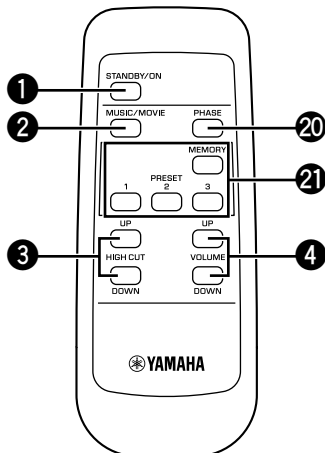
## Panel delantero



## Panel trasero



## Control remoto



- 1** Botón **STANDBY/ON**  
Presione este botón para conectar la alimentación. Vuelva a presionarlo para ajustar el altavoz de ultr Graves en el modo en espera.  
\* Este botón sólo puede utilizarse cuando el interruptor **POWER** (11) quede ajustado en la posición ON.

### Modo de espera

El altavoz de ultr Graves todavía está utilizando una pequeña cantidad de energía en este modo.

- 2** Botón **B.A.S.S.**  
Botón **MUSIC/MOVIE**  
Poniendo este interruptor en el modo MOVIE, el sonido de graves de software de vídeo se reproducirá fielmente. Poniendo este interruptor en el modo MUSIC, el sonido de graves de software de audio se reproducirá fielmente.
- 3** Control **HIGH CUT**  
Botones **HIGH CUT UP/DOWN**  
Seleccione el límite superior de las frecuencias que se van a reproducir en el altavoz de ultr Graves. Para ajustar el control en el panel delantero, coloque una moneda, etc. en la ranura del control y gírela.

- 4 Control VOLUME**  
Botones **VOLUME UP/DOWN**  
Ajusta el nivel de volumen. Gire el control a la derecha o pulse el botón **UP** para subir el volumen.  
Gire el control a la izquierda o pulse el botón **DOWN** para bajar el volumen.  
Para ajustar el control en el panel delantero, coloque una moneda, etc. en la ranura del control y gírela.
- 5 Sensor del control remoto**  
Recibe señales del control remoto.
- 6 Indicador de potencia (LED)**  
Se ilumina de color verde mientras que el altavoz de ultr Graves está activado.  
Se ilumina de color rojo cuando el altavoz de ultr Graves está activado en el modo standby mediante la función de conmutación de energía.
- 7 Indicador MUSIC/MOVIE (LED)**  
Se ilumina de color rojo cuando el modo MUSIC es seleccionado y de verde cuando se selecciona el modo MOVIE.
- 8 Indicador PHASE (LED)**  
Se ilumina de color rojo cuando el botón **PHASE** (20) está ajustado en el modo regular y de verde cuando está en el modo reverso.
- 9 Indicadores PRESET 1/2/3 (LED)**  
Muestra qué número de ajuste prefijado, PRESET (1, 2 o 3) está seleccionado.  
(Si el altavoz de ultr Graves pasa al modo standby cuando uno de estos indicadores esté iluminado, no se iluminará ningún indicador hasta la próxima vez que se active el altavoz de ultr Graves.)
- 10 AC IN (entrada CA)**  
**<Modelos solo para EE.UU., Canadá, Europa y Corea>**  
Enchufe el cable de alimentación incluido en la toma. No conecte nunca ningún cable de alimentación que no sea el incluido para esta toma. Asimismo, nunca conecte el cable de alimentación incluido para otra unidad.
- 11 Interruptor POWER**  
Ajuste este interruptor a la posición ON para utilizar el altavoz de ultr Graves. En este estado, puede encender el altavoz de ultr Graves o ponerlo en modo de espera, pulsando el botón **STANDBY/ON** (1).  
Ajuste este interruptor en la posición OFF para cortar completamente el suministro de alimentación del altavoz de ultr Graves de la línea de CA.
- 12 Terminales REMOTE**  
Estos terminales se utilizan para la instalación personalizada del sistema. Cuando el altavoz de ultr Graves esté conectado a los componentes para la instalación personalizada del sistema, puede utilizar el altavoz de ultr Graves con el control remoto del sistema.
- 13 Interruptor de espera (alto/bajo/desconexión) automática de la alimentación [AUTO STANDBY (HIGH/LOW/OFF)]**  
Este interruptor está originalmente en posición OFF. Al poner este interruptor en la posición HIGH (alta) o LOW (baja), la función de conmutación automática de alimentación funciona tal como se describe en la página 14. Si no necesita esta función, deje este interruptor en la posición OFF.
- 14 Terminal GND**  
Si conecta esta terminal al terminal de tierra (GND) del receptor/amplificador puede reducirse el ruido de zumbido. (Consulte la página 10.)
- 15 Interruptor H.P.F. (High Pass Filter) OUTPUT**  
Selecciona el límite superior del punto de corte de frecuencias de las señales emitidas en los terminales H.P.F. OUTPUT. Utilice este interruptor sólo cuando los terminales H.P.F. OUTPUT se utilicen para conectar con el amplificador. (Consulte la página 8 para detalles.)  
**Terminales H.P.F. OUTPUT**  
Estos terminales reducen las frecuencias inferiores al punto de frecuencia seleccionada por el interruptor H.P.F. OUTPUT desde las señales de entrada y emite frecuencias mayores.
- 16 Terminales INPUT3 (LFE)**  
El control **HIGH CUT** (3) no tiene efecto en las señales que reciben estos terminales. (Consulte la página 5 para detalles.)
- 17 Terminales INPUT2**  
Usted podrá utilizar estos terminales para introducir señales de nivel de línea desde el amplificador. (Véase “CONEXIONES” para más información.)
- 18 Terminales OUTPUT (TO SPEAKERS)**  
Usted podrá utilizar estos terminales para conectar a los altavoces principales. Las señales de salida del amplificador a los altavoces principales por estos terminales. (Véase “CONEXIONES” para más información.)
- 19 Terminales INPUT1 (FROM AMPLIFIER)**  
Usted podrá utilizar estos terminales para conectar el altavoz de ultr Graves con los terminales para altavoces del amplificador. (Véase “CONEXIONES” para más información.)
- 20 Botón PHASE**  
Pulse este botón para seleccionar el modo reverso. Sin embargo, de acuerdo con el sistema de altavoces usado o a las condiciones de escucha, puede darse el caso que la calidad del sonido obtenido sea mejor si se selecciona el modo regular. Seleccione el mejor modo escuchando el sonido. En el modo reverso, el indicador PHASE del panel delantero se ilumina de color verde y, en el modo regular, de color rojo.
- 21 Botón MEMORY/Botones PRESET**  
Utilizado para almacenar y recuperar los datos para los ajustes de **B.A.S.S. [MUSIC/MOVIE]** (2), **VOLUME [VOLUME UP/ DOWN]** (4), **HIGH CUT [HIGH CUT UP/DOWN]** (3) y **PHASE** (20). (Consulte la página 16.)

# Función de conmutación automática de la alimentación

Si se detiene la fuente que se está reproduciendo y se corta la señal de entrada durante 7 u 8 minutos, el altavoz de ultr Graves se conmuta automáticamente al modo de espera. (Cuando el altavoz de ultr Graves cambia al modo de pausa mediante la función automática de alimentación, el indicador de alimentación se ilumina en rojo.)

Al reproducir nuevamente una fuente, la alimentación del altavoz de ultr Graves se activa automáticamente al detectar entrada de señales de audio al altavoz de ultr Graves.

Esta función trabaja detectando un cierto nivel de señal de entrada de sonido de baja frecuencia. Generalmente, ponga el interruptor **AUTO STANDBY** en la posición LOW. Sin embargo, si la alimentación no se conecta ON o se pone en espera STANDBY suavemente, ponga el interruptor en la posición HIGH. En la posición HIGH, se conectará la alimentación aunque haya una señal de entrada de nivel bajo. Pero tenga en cuenta que el altavoz ultr Graves puede no conmutarse al modo de espera cuando hay una señal de entrada muy baja.

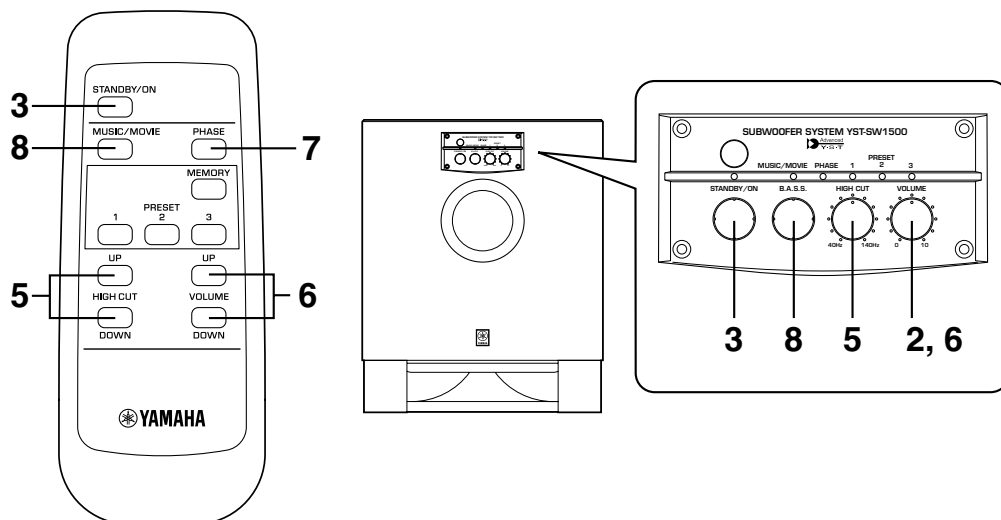
- \* La alimentación puede activarse inesperadamente debido a que detecta ruido de otros aparatos. Si ocurriera esto, ajuste el interruptor **AUTO STANDBY** a la posición OFF.
- \* Esta función detecta los componentes de baja frecuencia por debajo de los 200 Hz de las señales de entrada (por ej., la explosión en una película de acción, el sonido de los bajos de una guitarra o de un tambor, etc.).
- \* Los minutos requeridos para conmutar el altavoz de ultr Graves al modo de espera pueden cambiar al detectar ruido de otros aparatos.

**Esta función sólo está disponible cuando la alimentación del altavoz de ultr Graves está activada (presionando el botón STANDBY/ON a la posición "ON").**

**Esta función no funcionará si el altavoz de ultr Graves pasa al modo standby mediante el botón STANDBY/ON. (El indicador de potencia del panel delantero se desactiva.)**

# AJUSTE DEL ALTAVOZ DE ULTRAGRAVES ANTES DE UTILIZARLO

Antes de utilizar el altavoz de ultr Graves, ajuste el altavoz de ultr Graves para obtener el balance de volumen y tono óptimos entre el altavoz de ultr Graves y los altavoces principales, siguiendo el procedimiento a continuación.



**1** Ajuste al mínimo el nivel de volumen en el amplificador, y encienda el amplificador y los demás componentes.

**2** Gire el control **VOLUME** para ajustarlo al mínimo (0).

**3** Asegúrese de que el interruptor **POWER** en el panel trasero esté ajustado en la posición **ON**, luego pulse el botón **STANDBY/ON** para activar el altavoz de ultr Graves.

\* El indicador de alimentación se ilumina de color verde.

**4** Reproduzca una fuente que contenga componentes de baja frecuencia y ajuste el control de volumen del amplificador hasta el nivel de escucha deseada.

**5** Gire el control **HIGH CUT** (o pulse los botones **HIGH CUT UP/DOWN** del control remoto) para ajustar el control a la posición donde pueda obtenerse la respuesta deseada.

Normalmente, ajuste el control a la frecuencia mínima reproducible nominal de los altavoces principales\*.

\* La frecuencia mínima reproducible nominal de los altavoces principales podrá encontrarse en el catálogo o en el manual del usuario.

**6** Suba el volumen gradualmente para ajustar el volumen entre el altavoz de ultr Graves y los altavoces principales.

Normalmente, ajuste el control al nivel donde pueda obtenerse un efecto de graves un poco mayor que cuando no se utiliza el altavoz de ultr Graves. Si no puede obtenerse la respuesta deseada, ajuste el control **HIGH CUT** y el control **VOLUME** nuevamente.

**7** Pulse el botón **PHASE** para seleccionar el modo regular o reverso que aporta un mejor de sonido de graves.

Normalmente, seleccione el modo reverso (de modo que el indicador **PHASE** del panel delantero se ilumine de color verde). Si no puede obtenerse la respuesta deseada, seleccione el modo regular (de modo que el indicador **PHASE** se ilumine de color rojo).

**8** Seleccione "MOVIE" o "MUSIC" según cuál sea la fuente reproducida.

**MOVIE** (cuando el indicador **MUSIC/MOVIE** del panel delantero se ilumina de color verde):

Cuando se reproduzca un tipo de fuente de película, los efectos de baja frecuencia mejoran para permitir al oyente disfrutar de un sonido más potente. (El sonido será más marcado y profundo.)

**MUSIC** (cuando el indicador **MUSIC/MOVIE** del panel delantero se ilumina de color rojo):

Cuando se reproduce una fuente de música convencional, los componentes excesivos de baja frecuencia se reducen para que el sonido sea más claro. (El sonido es más suave y reproduce la línea de la melodía con mayor claridad.)

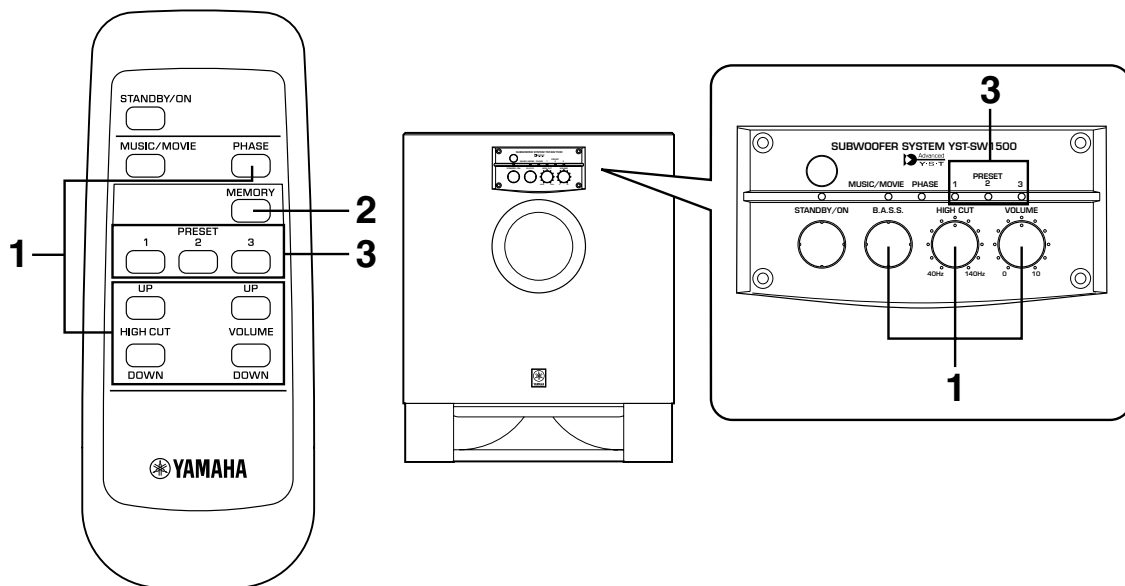
• Una vez que se haya ajustado el equilibrio de volumen entre el altavoz de ultr Graves y los altavoces principales, se puede ajustar el volumen de todo su sistema de sonido usando el control de volumen del amplificador.

Sin embargo, si se cambian los altavoces principales por otros, deberá volver a hacer este ajuste.

• Para ajustar el control **VOLUME**, el control **HIGH CUT** y el botón **PHASE**, consulte "Características de las frecuencias" en la página 17.

## Almacenamiento de los datos predeterminados del control **VOLUME**, etc.

Puede almacenar datos predefinidos del control **VOLUME**, el control **HIGH CUT**, el botón **PHASE** y el interruptor **B.A.S.S.** de manera predeterminada. Cada uno de los tres botones **PRESET** del control remoto se utilizan para almacenar (y recordar) cada uno de los conjuntos de datos. Con esta función, puede recordar cualquier dato almacenado fácilmente según la fuente.



### ■ Para almacenar

- 1 Ajuste el control **VOLUME**, el control **HIGH CUT**, el botón **PHASE** y el interruptor **B.A.S.S.**
- 2 Pulse el botón **MEMORY**. Los indicadores de número **PRESET** del panel delantero parpadean.
- 3 Pulse el botón **PRESET 1**. Se ilumina el indicador de número **PRESET** correspondiente. Esto muestra que los datos han sido almacenados en **PRESET 1**.

\* Del mismo modo, almacene otros conjuntos de datos en **PRESET 2** y **3**.

\* La configuración predeterminada de cada botón **PRESET** es adecuada para utilizar el siguiente sistema de altavoces Yamaha con este altavoz de ultragraves.  
**PRESET 1:** NS-8HX, NS-6HX  
**PRESET 2:** NS-4HX  
**PRESET 3:** NS-2HX

### Notas

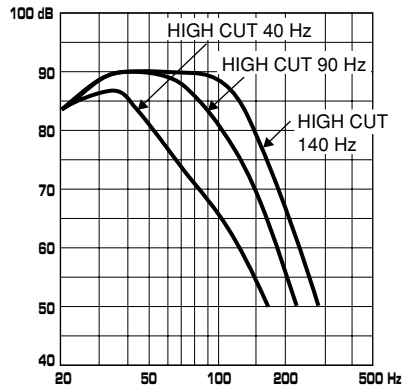
- Puede almacenarse un nuevo ajuste en lugar del primero.
- Mientras el control **VOLUME** o el control **HIGH CUT** estén rotando desde un botón **PRESET** que haya sido pulsado, no tendrá efecto pulsar otro botón **PRESET**.

### Grabación de la memoria

El circuito de copia de seguridad de la memoria evita que los datos almacenados se pierdan, incluso aunque el interruptor **POWER** se haya dejado de pulsar o el cable de alimentación se haya desconectado de la toma CA o se haya cortado la alimentación por un fallo temporal de la alimentación. No obstante, si el equipo está desconectado durante más de una semana, se borrará la memoria. Si así fuera, puede volver a almacenarse siguiendo los pasos descritos arriba.

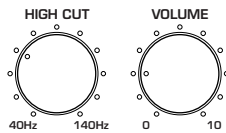
## Características de las frecuencias

### Características de las frecuencias de este altavoz de ultr Graves

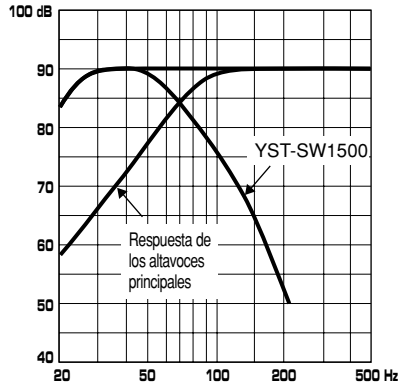


Las cifras mostradas a continuación muestran el ajuste óptimo de cada control, y las características de frecuencia, cuando este altavoz de ultr Graves está combinado con un sistema de altavoces principales típico.

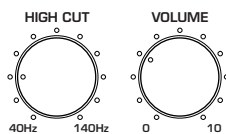
#### EJ.1 Cuando se usa en combinación con un sistema de altavoces principales de 2 vías de suspensión acústica de 10 cm o 13 cm



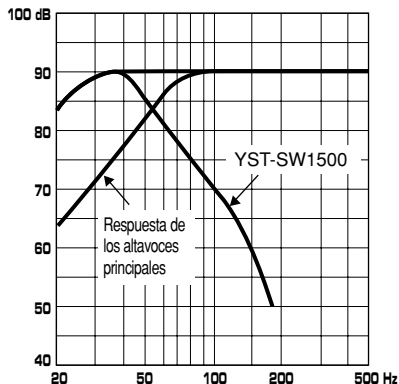
**PHASE** – Ajustarlo en el modo reverso.  
**B.A.S.S.–MOVIE**



#### EJ.2 Cuando se usa en combinación con un sistema de altavoces principales de 2 vías de suspensión acústica de 20 cm o 25 cm



**PHASE** – Ajustarlo en el modo reverso.  
**B.A.S.S.–MOVIE**



# ADVANCED YAMAHA ACTIVE SERVO TECHNOLOGY

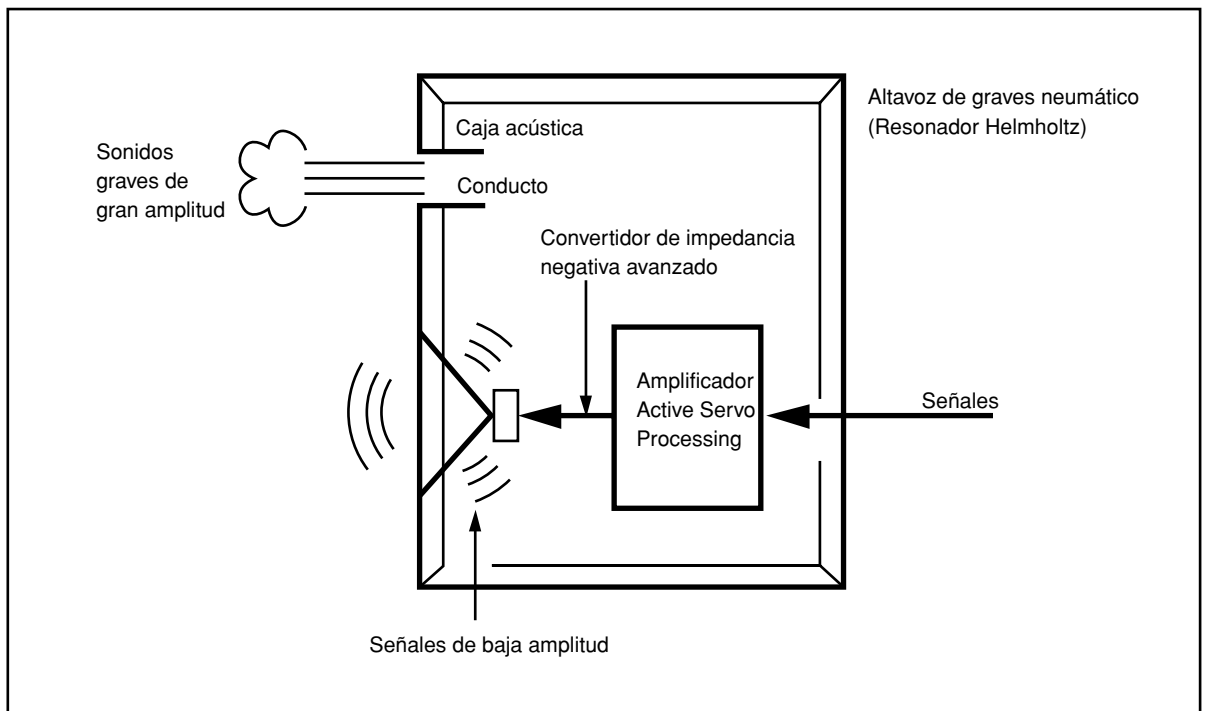
La teoría del Yamaha Active Servo Technology se basa en dos principales factores, el resonador Helmholtz y la excitación de impedancia negativa. Los altavoces Active Servo Processing reproducen las frecuencias de los graves a través de un "altavoz de graves neumático", que es un conducto o pequeña abertura de la caja acústica. Esta abertura se emplea y hace las veces del altavoz de graves en los sistemas de altavoces convencionalmente diseñados. De esta forma, las señales de baja amplitud dentro de la caja pueden, de acuerdo con la teoría de resonancia de Helmholtz, salir a través de esta abertura como ondas de gran amplitud si el tamaño de la abertura y el volumen de la caja están en la proporción correcta para satisfacer cierta relación. Además, para realizar esto, las amplitudes dentro de la caja deben ser precisas y de la potencia suficiente porque dichas amplitudes deben superar la "carga" presentada por el aire que existe dentro de la caja.

Por lo tanto, este problema se resuelve empleando un nuevo diseño en el que el amplificador suministra señales especiales.

Si la resistencia eléctrica de la bobina móvil se reduce a cero, el movimiento de la unidad de altavoz será lineal con respecto a la tensión de la señal. Para conseguir esto, se emplea un amplificador especial de excitación de salida de impedancia negativa para restar impedancia de salida del amplificador.

Empleando circuitos excitadores de impedancia negativa, el amplificador es capaz de generar ondas de baja amplitud y baja frecuencia precisas con características de amortiguación excelentes. Estas ondas se irradian después desde la abertura de la caja como señales de gran amplitud. Por lo tanto, el sistema puede, empleando el amplificador de excitación de salida de impedancia negativa y la caja acústica con el resonador Helmholtz, reproducir una gama extremadamente amplia de frecuencias con una calidad acústica increíble y con menos distorsión. Las características descritas se combinan para convertirse en la estructura fundamental de la Yamaha convencional Active Servo Technology.

Nuestra nueva tecnología servoactiva - Advanced Yamaha Active Servo Technology - adoptó circuitos convertidores de impedancia negativa avanzados (ANIC), que permiten a un convertidor de impedancia negativa convencional cambiar dinámicamente para seleccionar el valor óptimo para la variación de impedancia de los altavoces. Con estos nuevos circuitos ANIC, la tecnología servoactiva avanzada Yamaha puede proporcionar un rendimiento más estable y presión acústica mejorada en comparación con la tecnología servoactiva Yamaha convencional, lo que resulta en una reproducción de graves más natural y dinámica.





# LOCALIZACIÓN DE AVERÍAS

Consulte el siguiente cuadro cuando el aparato no funcione bien. Si el problema no es uno de los que aparecen en la siguiente lista o si las instrucciones de abajo no ayudan a solucionar el problema, desenchufe el cable de alimentación y llame a un distribuidor o centro de servicio autorizado de YAMAHA.

Problema	Causa	Qué hacer
<b>No hay corriente aunque el botón STANDBY/ON está en la posición ON.</b>	El cable de alimentación no está enchufado, o el interruptor POWER está en la posición OFF.	Conecte firmemente el cable de alimentación a la toma AC IN (entrada CA) del altavoz de ultr Graves y a la toma de salida CA o ajuste el interruptor POWER en la posición ON.
<b>No se escuchan sonidos.</b>	El volumen está ajustado al mínimo.	Suba el volumen.
	Las conexiones de los cables de altavoces están flojas.	Conecte los cables de altavoces correctamente.
<b>El sonido es muy bajo.</b>	Los cables de altavoces no están bien conectados.	Conecte los cables de altavoces correctamente, L (izquierda) a L, R (derecha) a R, "+" a "+" y "-" a "-".
	El interruptor PHASE no se encuentra en la posición correcta.	Ajuste PHASE en el otro modo.
	Se está reproduciendo una fuente de sonidos con pocos graves.	Reproduzca una fuente de sonido con graves. Ajuste el control HIGH CUT a una posición más alta.
	Están actuando las ondas estacionarias.	Cambie de lugar los altavoces ultr Graves o elimine el paralelismo entre las superficies colocando una biblioteca, etc. a lo largo de las paredes.
<b>El altavoz de ultr Graves no se conecta automáticamente.</b>	El interruptor POWER está en la posición OFF.	Ponga el interruptor POWER en la posición ON.
	El altavoz de ultr Graves está configurado en el modo standby pulsando el botón STANDBY/ON. (El indicador de alimentación no se ilumina.)	Encienda de nuevo el altavoz de ultr Graves pulsando el botón STANDBY/ON.
	El interruptor AUTO STANDBY está en la posición OFF.	Ajuste el interruptor AUTO STANDBY a la posición "HIGH" o "LOW".
	El nivel de la señal de entrada es demasiado bajo.	Ajuste el interruptor AUTO STANDBY a la posición "HIGH".
<b>El altavoz de ultr Graves se conmuta al modo de espera inesperadamente.</b>	El nivel de la señal de entrada es demasiado bajo.	Ajuste el interruptor AUTO STANDBY a la posición "HIGH".
<b>El altavoz de ultr Graves se conecta inesperadamente.</b>	Existe una influencia de ruido generado por equipos digitales externos, etc.	Aleje el altavoz de ultr Graves de tales equipos y/o cambie la posición de los cables de los altavoces conectados. De lo contrario, ajuste el interruptor AUTO STANDBY a la posición "OFF".
<b>Se desconecta el disyuntor del hogar.</b>	El altavoz de ultr Graves consume mucha electricidad cuando entra una señal de nivel alto al altavoz de ultr Graves.	Baje el volumen del amplificador, etc. conectado al altavoz de ultr Graves o desconecte la alimentación de los equipos que no esté utilizando.
<b>El control remoto no funciona.</b>	La luz directa del sol o la iluminación (de un tipo invertido de lámpara fluorescente, etc.) está dirigida al sensor del control remoto de la unidad principal.	Cambie la posición de la unidad principal.
<b>La distancia o el rango en el que puede utilizarse el control remoto se reduce.</b>	Las pilas de este control remoto están casi gastadas.	Sustituya las dos pilas por otras nuevas.

## Nota

Quando se emite un nivel excesivo de señal al altavoz de ultr Graves de 5 a 15 minutos, el indicador de alimentación comienza a parpadear para avisar del peligro de daño del amplificador de potencia y del altavoz de este sistema de altavoz de ultr Graves. Si la entrada de señal dura 5 minutos más, el alimentador de ultr Graves pasa automáticamente al modo standby.

# ESPECIFICACIONES

---

**Tipo** ..... Advanced Yamaha Active Servo Technology  
(La tecnología servoactiva avanzada Yamaha)

**Excitador** ..... Altavoz de graves de cono de 30 cm  
Tipo con protección magnética

**Salida de amplificador** ..... 1 kW/5Ω

**Respuesta en frecuencia** ..... 16 Hz–160 Hz (–10 dB)

## Alimentación

**Modelos para EE.UU. y Canadá** ..... CA 120V, 60 Hz

**Modelos para Reino Unido y Europa** .... CA 230V, 50 Hz

**Modelo para Australia** ..... CA 240V, 50 Hz

**Modelo para Corea** ..... CA 220V, 50 Hz

**Consumo** ..... 250W

**Consumo en espera** ..... 1,0W

## Dimensiones (An x Al x Prf)

..... 420 mm x 511 mm x 448 mm

**Peso** ..... 29 kg

\* Todas las especificaciones están sujetas a cambios sin previo aviso.

## LET OP: Lees eerst deze aanwijzingen alvorens het apparaat in gebruik te nemen.

Lees a.u.b. voor het in gebruik nemen de volgende voorzorgsmaatregelen door. YAMAHA is niet aansprakelijk voor schade en/of letsel veroorzaakt door het niet opvolgen van de onderstaande voorzorgsmaatregelen.

- Lees deze handleiding nauwkeurig door om de best mogelijke resultaten te verkrijgen. Bewaar deze handleiding op een veilige plaats voor toekomstige referentie.
- Stel dit apparaat op een koele, droge, schone plaats op – niet in de buurt van ramen, warmtebronnen of op plaatsen die onderhevig zijn aan trillingen of op buitengewoon stoffige, warme, koude of vochtige plaatsen. Plaats dit apparaat niet in de buurt van mogelijke storingsbronnen (zoals transformatoren of motoren). Stel de luidsprekers niet bloot aan regen of vocht, om het risico van brand of een elektrische schok te voorkomen.
- Open nooit de behuizing van dit apparaat. Raadpleeg uw dealer, in het geval er een vreemd voorwerp in het apparaat terechtgekomen is.
- De gebruikte spanning moet dezelfde zijn als die op het achterpaneel. Als u dit apparaat gebruikt met een hogere spanning dan is er gevaar voor brand en/of een elektrische schok.
- Stel het apparaat niet bloot aan regen of vocht om het risico van brand of een elektrische schok te voorkomen.
- Nooit overmatige kracht uitoefenen op de schakelaars en regelaars of op de aansluitkabels. Bij het verplaatsen van het apparaat, er op letten eerst de stekker van het netsnoer uit het stopcontact te verwijderen en de verbindingen van de kabels met overige apparatuur los te maken. Nooit aan de kabels zelf trekken.
- Wanneer u het apparaat gedurende een langere periode niet gaat gebruiken (bijv. bij vakantie, enz.), de stekker steeds uit het stopcontact verwijderen.
- Verwijder tijdens een onweer de stekker van het netsnoer van het apparaat uit het stopcontact om schade als gevolg van blikseminslag te voorkomen.
- Aangezien dit apparaat uitgerust is met een ingebouwde vermogenversterker, wordt er warmte via het achterpaneel afgevoerd. Plaats het apparaat niet tegen een muur en laat voldoende tussenruimte over ter voorkoming van beschadiging of brand, aan de bovenzijde, achterzijde of links of rechts van het apparaat. Plaats het apparaat ook niet met het achterpaneel naar beneden gericht op de grond of op een ander oppervlak. Laat een tussenruimte over van tenminste 20 cm aan de bovenzijde, achterzijde en aan beide zijanten van het apparaat.
- De achterzijde van dit apparaat niet afdekken met een krant, een tafellaken, een gordijn, enz. om de warmteuitstraling niet te hinderen. Als de temperatuur in het apparaat toeneemt, kan dit brand, schade aan het apparaat en/of persoonlijk letsel veroorzaken.
- Plaats geen kleine metalen voorwerpen op dit apparaat. Anders kunnen deze voorwerpen vallen en mogelijk iemand verwonden.
- De volgende voorwerpen niet op dit apparaat plaatsen: Glas, porcelein, enz.
  - Als glas, enz. als gevolg van trillingen komt te vallen en breekt, kan dit persoonlijk letsel veroorzaken.
- Een brandende kaars, enz.
  - Als de kaars als gevolg van trillingen komt te vallen, kan dit brand en persoonlijk letsel veroorzaken.
- Een vaas, enz. welke water bevat
  - Als de vaas, enz. als gevolg van trillingen komt te vallen en het water gemorst wordt, kan dit schade aan het apparaat veroorzaken en/of bestaat de kans op een elektrische schok.
- Plaats dit apparaat niet op een plaats waar er waterdruppels e.d. op kunnen vallen. Anders kan dit een brand, schade aan dit apparaat en/of persoonlijk letsel veroorzaken.
- Nooit een breekbaar voorwerp in de buurt van de YST poort van dit apparaat plaatsen. Als het voorwerp door de luchtdruk omvalt of naar beneden valt, kan dit beschadiging van het apparaat en/of persoonlijk letsel veroorzaken.
- Nooit handen of voorwerpen steken in de YST poort die zich aan de voorzijde van dit apparaat bevindt. Bij het verplaatsen van dit apparaat, de poort niet vastnemen aangezien dit persoonlijk letsel en/of beschadiging van het apparaat kan veroorzaken.

- Nooit de behuizing openen. Dit kan elektrische schokken veroorzaken, aangezien dit apparaat gebruik maakt van hoogspanning. Dit kan eveneens persoonlijk letsel en/of beschadiging van het apparaat veroorzaken.
- Als u een luchtbevochtiger gebruikt, moet u condensatie in dit apparaat voorkomen. Voorzie hiervoor voldoende ruimte rond dit apparaat of voorkom overmatige bevochtiging. Condensatie kan een brand, schade aan dit apparaat en/of een elektrische schok veroorzaken.
- De super-lage frequenties die door dit apparaat worden gereproduceerd, kunnen bij gebruik van een platenspeler bromgeluiden veroorzaken. In een dergelijk geval dit apparaat op afstand van de platenspeler opstellen.
- Wanneer bepaalde geluiden continu met een hoog volumeniveau worden weergegeven, bestaat de kans dat dit apparaat beschadigd wordt. Als bijvoorbeeld 20 Hz–50 Hz sinusgolven van een testdisc, basklanken van elektronische instrumenten, enz. continu worden weergegeven, of wanneer de naald van een draaitafel het oppervlak van een plaat raakt, het volumeniveau verminderen om beschadiging van dit apparaat te voorkomen.
- Indien u merkt dat er zich bij dit apparaat vervorming van het geluid voordoet, (d.w.z. onnatuurlijke, “kloppende” of “tikkende” geluiden die zich met tussenpozen voordoen), dient u het volumeniveau terug te brengen. Door de zware, lage frequentie-tonen van het geluidsspoor van een film of soortgelijk luide passages van popmuziek met een buitengewoon hoog volume weer te geven, bestaat de kans op beschadiging van dit luidsprekersysteem.
- De trillingen die resulteren uit de ultralage frequenties van dit apparaat kunnen storing in het beeld van een tv-toestel veroorzaken. In een dergelijk geval zet u dit apparaat op wat grotere afstand van het tv-toestel.
- Probeer nooit dit apparaat te reinigen met behulp van een chemisch reinigingsmiddel, aangezien hierdoor de afwerking beschadigd kan worden. Gebruik een schone, droge doek.
- Alvorens te concluderen dat uw apparaat defect is, eerst het hoofdstuk “STORINGZOEKEN” doorlezen voor advies betreffende het opsporen van veelvoorkomende bedieningsfouten.
- **Het is de verantwoordelijkheid van de eigenaar om het systeem stevig te plaatsen of te installeren. YAMAHA kan niet aansprakelijk gesteld worden voor ongevallen die voortkomen uit het op verkeerde wijze plaatsen of installeren van de luidsprekers.**

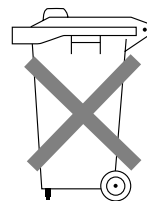
### Standby functie

Wanneer dit apparaat wordt uitgeschakeld door het indrukken van de STANDBY/ON toets op het voorpaneel zal het apparaat een zeer kleine hoeveelheid stroom verbruiken. Deze toestand wordt de standby functie genoemd. De stroomtoevoer van dit apparaat wordt enkel volledig van de netspanning losgekoppeld wanneer de POWER schakelaar in de stand OFF wordt gezet of het netsnoer wordt losgemaakt.

Dit apparaat heeft een magnetisch afgeschermd constructie, maar toch bestaat de kans dat wanneer dit apparaat te dicht bij een TV toestel geplaatst wordt, de kwaliteit van de kleuren nadelig beïnvloed worden. In dat geval zet u dit apparaat op wat grotere afstand van het tv-toestel.

### Alleen voor klanten in Nederland

Bij dit product zijn batterijen geleverd. Wanneer deze leeg zijn, moet u ze niet weggooien maar inleveren als KCA.



# INHOUD

---

<b>CONTROLLEREN VAN DE TOEBEHOREN</b>	
..... Binnenzijde van omslag	
<b>LET OP</b> .....	1
<b>KENMERKEN</b> .....	2
<b>OPSTELLING</b> .....	3
<b>AANSLUITINGEN</b> .....	4
Aansluiten op de voorversterkeruitgangen (pin-uitgang) van de versterker .....	4
Aansluiting op de luidsprekeruitgangsaansluitingen van de versterker .....	6
Aansluiting op de hoogdoorlaat- filteruitgangen (H.P.F. OUTPUT) .....	8
Aardingsaansluiting .....	10
Aansluiten van het netsnoer .....	11

<b>OPMERKINGEN IN VERBAND MET DE AFSTANDSBEDIENING</b> .....	11
<b>REGELAARS EN HUN FUNCTIES</b> .....	12
<b>AUTOMATISCHE IN-/ UITSCHAKELFUNCTIE</b> .....	14
<b>AFSTELLING VAN DE SUBWOOFER ALVORENS DEZE TE GEBRUIKEN</b> .....	15
Opslaan van voorkeuzegegevens voor de VOLUME-regelaar, enz. ....	16
Frequentiekaracteristieken .....	17
<b>ADVANCED YAMAHA ACTIVE SERVO TECHNOLOGY</b> .....	18
<b>STORINGZOEKEN</b> .....	19
<b>SPECIFICATIES</b> .....	20

---

## KENMERKEN

---

- Dit subwoofersysteem maakt gebruik van de Advanced YAMAHA Active Servo Technology, die door YAMAHA werd ontwikkeld voor de reproductie van ultralage tonen van superieure kwaliteit. (Zie pagina 18 voor nadere bijzonderheden over deze ADVANCED YAMAHA ACTIVE SERVO TECHNOLOGY.) Deze krachtige lage tonen geven uw stereo-installatie een voller, directer geluid en toveren uw luisterkamer om tot een huisbioscoop.
- Deze subwoofer is gemakkelijk aan te sluiten op uw bestaande audiosysteem door hem te verbinden met de luidsprekeruitgangen of de voorversterkeruitgangen (pin-uitgangen) van uw versterker.
- Voor een effectief gebruik van de subwoofer dienen de ultralage klanken van de subwoofer in overeenstemming gebracht te worden met de klanken van uw hoofdfluidsprekers. Om de beste geluidskwaliteit te creëren voor allerlei luistersituaties, kunt u de geluidswaegave aanpassen met de HIGH CUT-regelaar en de PHASE-toets.
- Met de afstandsbediening kunt u vanaf uw luisterpositie instellingen wijzigen en de subwoofer afstellen.

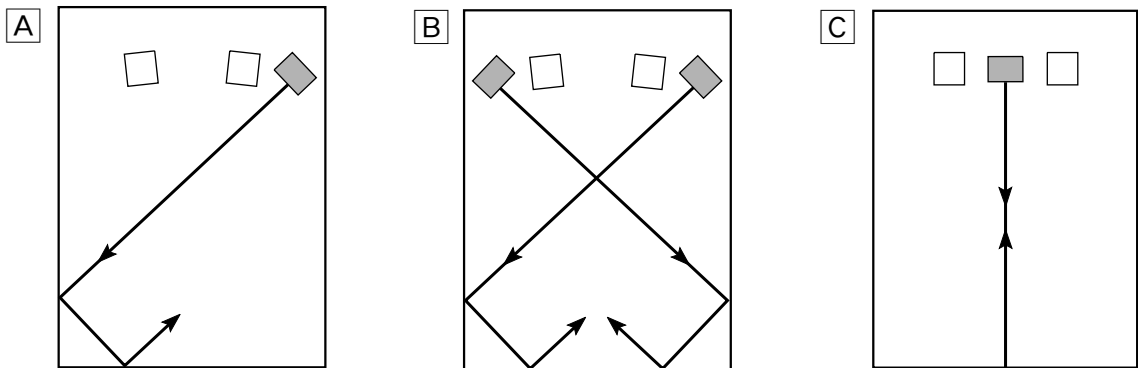
- Een automatische in- en uitschakelfunctie bespaart u de moeite van het indrukken van de STANDBY/ON-toets, telkens wanneer het apparaat in- of uitgeschakeld moet worden.
- U kunt het meest geschikte basweergave-effect voor de geluidsbron kiezen met behulp van de B.A.S.S.-toets.
- Door de H.P.F. OUTPUT-aansluitingen te verbinden met de versterker kunt u de geluidskwaliteit van uw luidsprekersysteem verbeteren.  
Deze verbinding voorkomt vertroebeling van de geluidswaegave van de hoofdfluidsprekers door het filteren van de lage frequenties uit de ingangssignalen die naar de hoofdfluidsprekers worden gestuurd. Deze zijn immers ongeschikt voor het weergeven van lage frequenties.

**QD·Bass**  
TECHNOLOGY

### QD-Bass technologie

QD-Bass (Quatre Dispersion Bass) technologie maakt gebruik van vlakke, pyramide-vormige reflectieplaten om het geluid in vier horizontale richtingen te verstrooien.

# OPSTELLING



(  : subwoofer,  : hoofduidspreker)

Met een enkele subwoofer kunt u de weergave van uw stereo-installatie al aanzienlijk verbeteren, maar het gebruik van twee subwoofers is aanbevolen om een beter effect te verkrijgen.

Als u gebruik maakt van een enkele subwoofer, is het aanbevolen deze aan de buitenzijde van de rechter of de linker hoofduidspreker te plaatsen. (Zie afb. [A](#).) Indien u twee subwoofers gebruikt, is het aanbevolen deze aan de buitenzijde van elk van de hoofduidsprekers te plaatsen. (Zie afb. [B](#).) De opstelling aangegeven in afb. [C](#) is ook mogelijk, echter indien het subwoofersysteem direct in de richting van de muur geplaatst wordt, bestaat de kans dat de lage tonen verdwijnen, aangezien het geluid dat door de subwoofer wordt voortgebracht en het geluid dat door de muur weerkaatst wordt tegen elkaar wegvallen. Om dit te voorkomen, dient u het subwoofersysteem schuin te plaatsen, zoals aangegeven in afb. [A](#) of [B](#).

## Opmerking

Er kan zich het geval voordoen dat u geen voldoende superlage tonen van de subwoofer kunt verkrijgen wanneer u in het midden van de kamer luistert. Dit komt omdat er zich "staande golven" hebben ontwikkeld tussen twee parallel staande muren waardoor de lage tonen wegvallen. In een dergelijk geval dient de subwoofer schuin in de richting van de muur geplaatst te worden. Het kan ook noodzakelijk zijn de parallelle oppervlakken te onderbreken door boekenplanken, enz. langs de muren te plaatsen.

# AANSLUITINGEN

**Let op: steek de stekker van de subwoofer en overige audio-/videocomponenten pas in nadat alle aansluitingen tot stand gebracht zijn.**

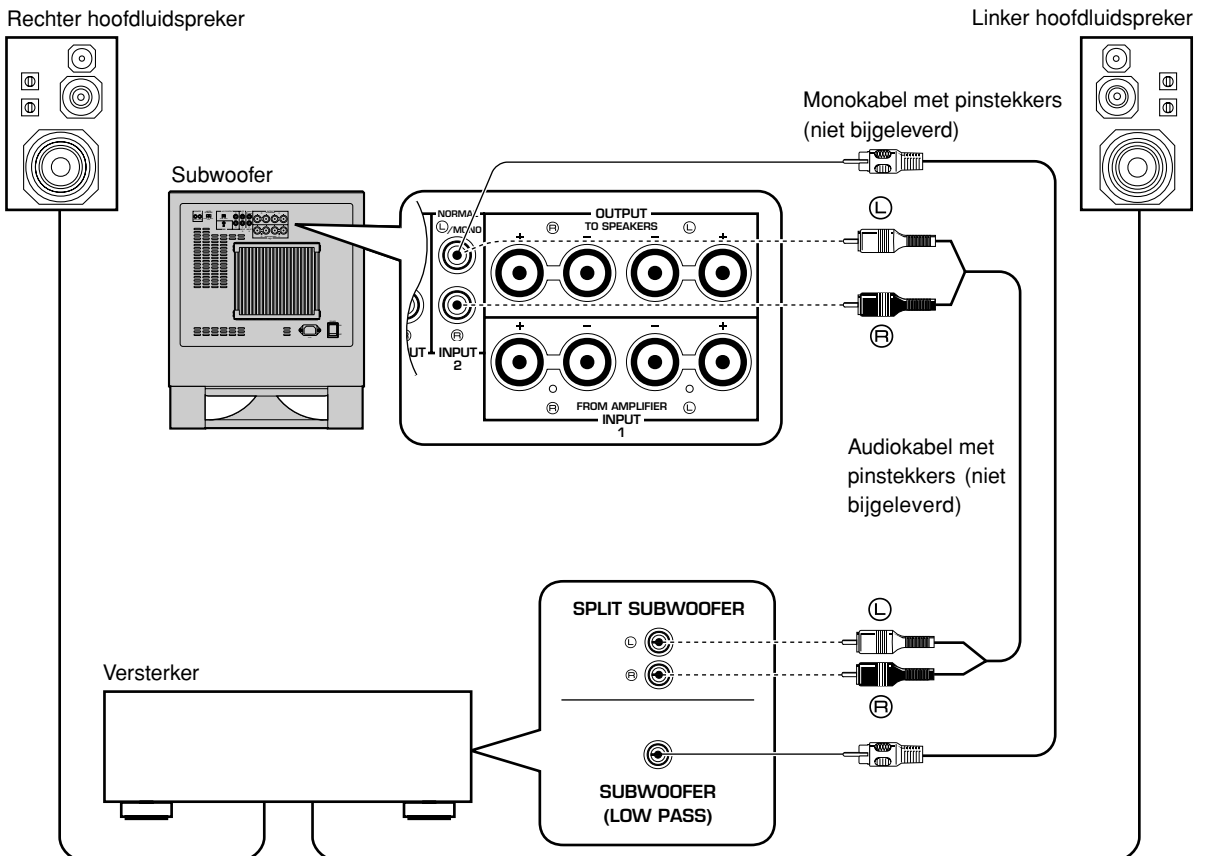
- Alle verbindingen moeten correct zijn, dit wil zeggen L (links) aan L, R (rechts) aan R, "+" aan "+" en "-" aan "-". Raadpleeg ook de handleiding van de desbetreffende aan te sluiten apparatuur.
- De subwoofer kan aangesloten worden op de voorversterkeruitgangsaansluitingen (pin-uitgang) of op de luidsprekeruitgangsaansluitingen van de versterker. Kies een van de in deze paragraaf aangegeven methoden, al naargelang het door u gebruikte audiosysteem. Raadpleeg ook de bedieningshandleiding van de componenten die u op de subwoofer wilt aansluiten.  
Sluit in principe de subwoofer aan op de voorversterkeruitgangsaansluiting(en) (pin-uitgang) van de versterker. (Zie pagina's 4 en 5 voor nadere bijzonderheden.) Als uw versterker niet voorzien is van een voorversterkeruitgangsaansluiting, sluit u de subwoofer aan op de luidsprekeruitgangsaansluitingen van de versterker. (Zie pagina's 6 en 7 voor nadere bijzonderheden.)

## Aansluiten op de voorversterkeruitgangen (pin-uitgang) van de versterker

Sluit de hoofd-luidsprekers aan op de luidsprekeruitgangsaansluitingen van de versterker.

- Verbind voor aansluiting op een YAMAHA DSP-versterker (of AV-ontvanger) de aansluiting SUBWOOFER (of LOW PASS enz.) aan de achterzijde van de DSP-versterker (of AV-ontvanger) met de /MONO INPUT2-aansluiting van de subwoofer.
- Wanneer u de subwoofer aansluit op de SPLIT SUBWOOFER-aansluitingen aan de achterzijde van de DSP-versterker, moet u er op letten de /MONO INPUT2-aansluiting aan te sluiten op de "L"-zijde en de INPUT2-aansluitingen aan te sluiten op de "R"-zijde van de SPLIT SUBWOOFER-aansluitingen.

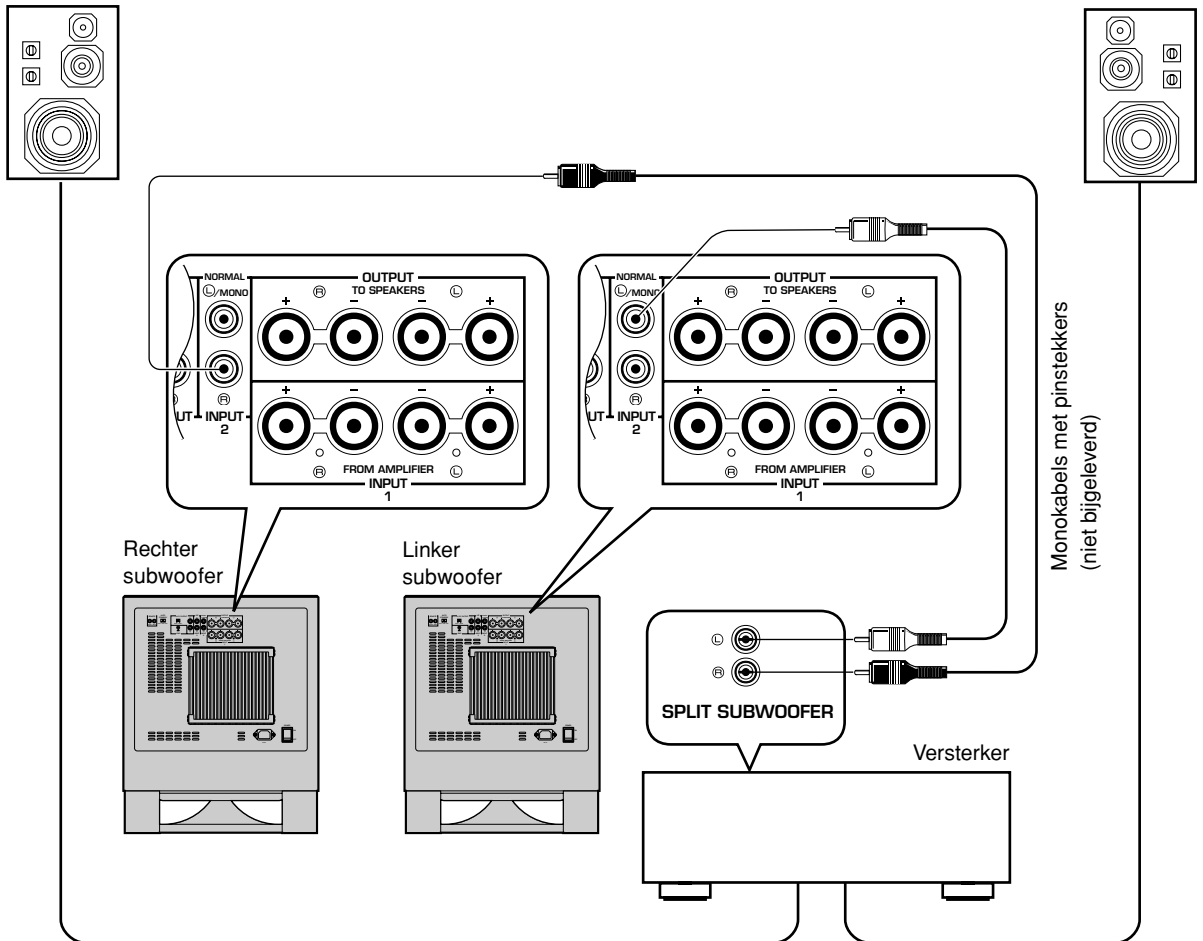
## ■ Gebruik van één subwoofer



## ■ Gebruik van twee subwoofers

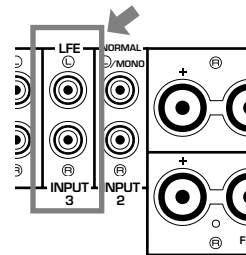
Rechter hoofduidspreker

Linker hoofduidspreker



## ■ Aansluiting op de LFE (INPUT3)-aansluiting(en)

Als uw versterker de hoge frequenties kan afkappen van de signalen die naar de subwoofer worden gestuurd, sluit u de versterker aan op de LFE (INPUT3)-aansluiting(en) van de subwoofer. Dit resulteert in een hogere geluidskwaliteit, aangezien de signaalbaan in de subwoofer wordt verkort doordat het ingebouwde HIGH CUT-circuit wordt overgeslagen.



### Opmerkingen

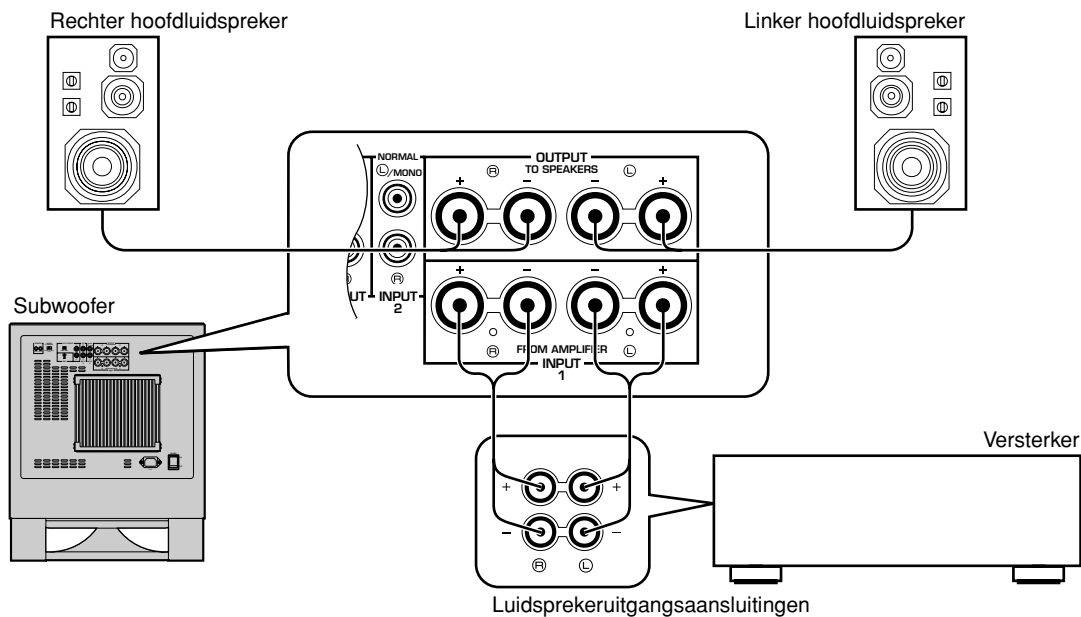
- Bepaalde versterkers zijn voorzien van voorversterkeruitgangen die door PRE OUT worden aangeduid. Wanneer u de subwoofer op de PRE OUT-aansluitingen van de versterker aansluit, moet de versterker de beschikking hebben over ten minste twee groepen PRE OUT-aansluitingen. Als de versterker beschikt over slechts één groep PRE OUT-aansluitingen, de subwoofer niet op de PRE OUT-aansluitingen aansluiten. Sluit in dit geval de subwoofer aan op de luidsprekeruitgangsaansluitingen van de versterker. (Zie pagina's 6 en 7.)
- Bij aansluiting op een mono-voorversterkeruitgang van de versterker, aansluiten op de L/MONO INPUT2-ingang.
- Bij aansluiting op de voorversterkeruitgangen van de versterker, mogen er geen andere luidsprekers op de OUTPUT-uitgangen van het achterpaneel van de subwoofer aangesloten worden. In het geval deze worden aangesloten, zullen zij geen geluid produceren.

## Aansluiting op de luidsprekeruitgangsaansluitingen van de versterker

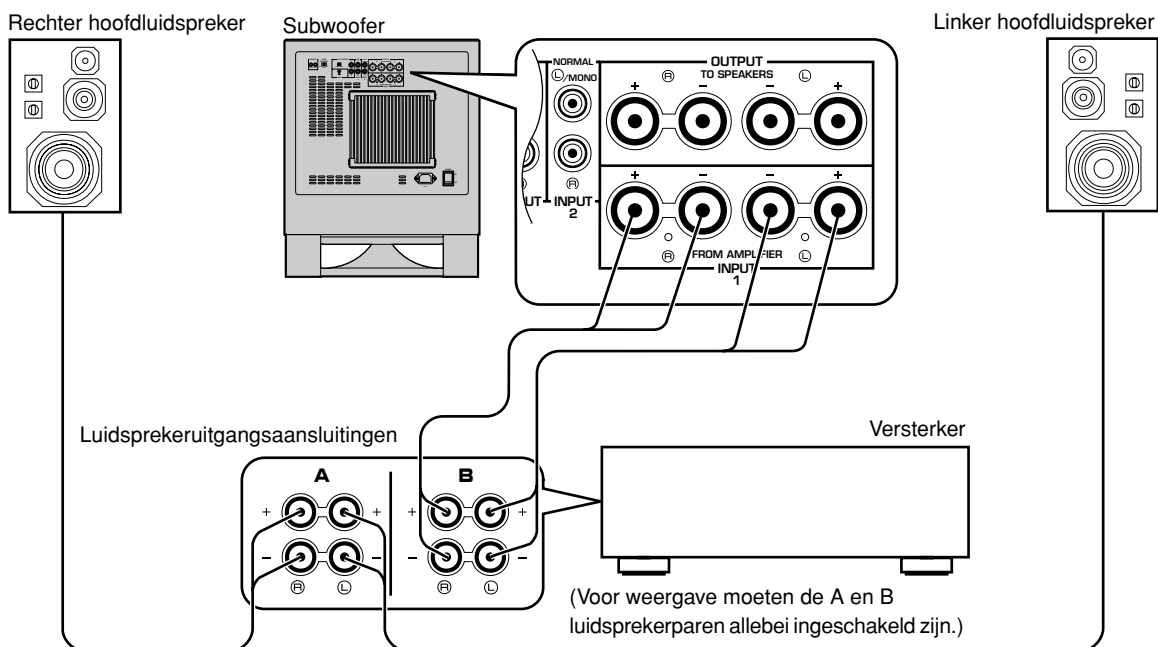
### ■ Gebruik van één subwoofer

Indien uw versterker slechts één set uitgangsaansluitingen heeft voor hoofduidsprekers

Sluit de luidsprekeraansluitingen van de versterker aan op de INPUT1-aansluitingen van de subwoofer en sluit de OUTPUT-aansluitingen van de subwoofer aan op de hoofduidsprekers.



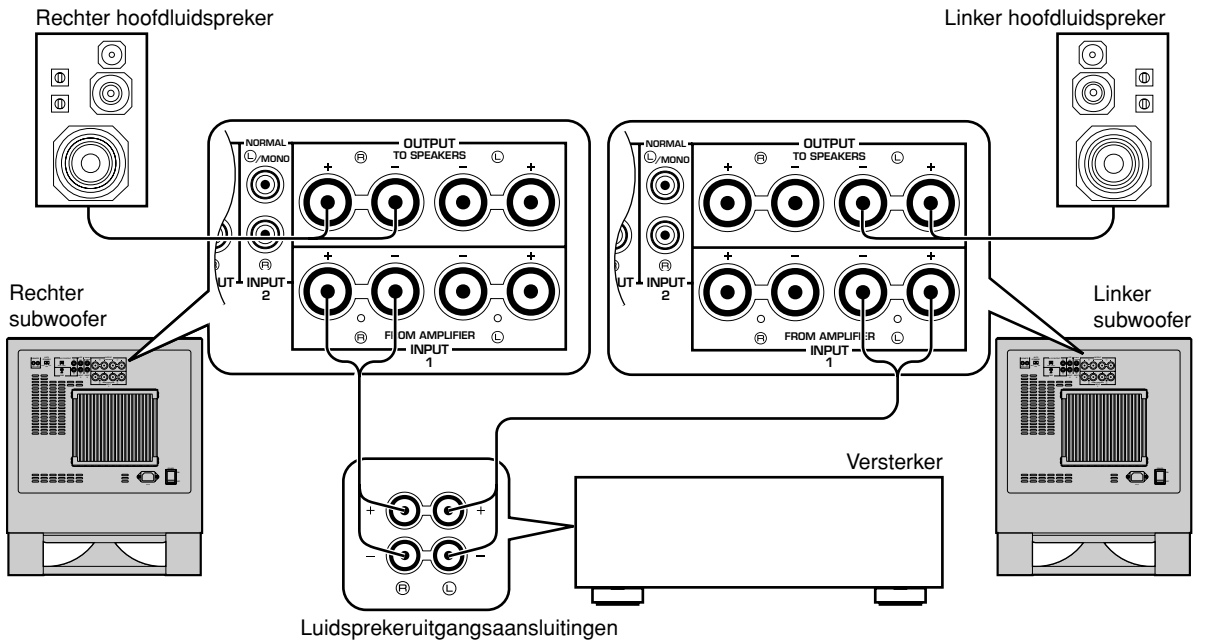
Als uw versterker twee stel luidsprekeruitgangsaansluitingen heeft





## ■ Gebruik van twee subwoofers

Sluit de luidsprekeruitgangsaansluitingen van de versterker aan op de INPUT1-aansluitingen van de subwoofer en sluit de OUTPUT-aansluitingen van de subwoofer aan op de hoofd-luidsprekers.



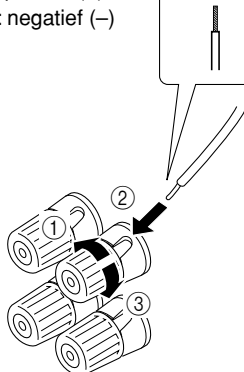
## Aansluiting op de INPUT1/OUTPUT-aansluitingen van de subwoofer

Houd bij het maken van de verbindingen de luidsprekerkabels zo kort mogelijk. Als de kabels te lang zijn, deze niet bij elkaar bundelen of oprollen. Als de aansluitingen verkeerd zijn, zal er geen geluid komen uit de subwoofer of uit de luidsprekers of uit beide. Sluit de luidsprekerkabels correct aan, rekening houdend met de + en - polariteitsaanduidingen. Als de kabels verkeerd worden aangesloten, zal het geluid onnatuurlijk klinken en zal de baslank zwak zijn.

### Aansluiting:

Rood: positief (+)  
Zwart: negatief (-)

**Goed Niet goed**



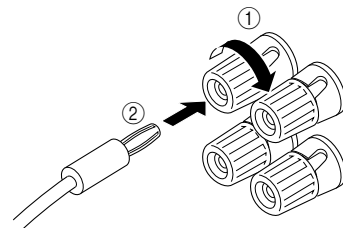
- ① Draai de knop los.
- ② Steek de blote draad in. [Verwijder ca. 10 mm van de isolatie van de luidsprekersnoeren.]
- ③ Draai de knop vast en bevestig het snoer.

### Let op

**Vorkom dat de uiteinden van het snoer met elkaar in contact komen omdat hierdoor de subwoofer of de versterker of beide beschadigd kunnen worden.**

**<Alleen voor de modellen voor de U.S.A., Canada, Australië en Korea>**

Aansluiten met een banaanstekker is eveneens mogelijk.



- ① Draai de knop van de aansluiting vast.
- ② Steek de banaanstekker gewoon in de aansluiting.

## Aansluiting op de hoogdoorlaat-filteruitgangen (H.P.F. OUTPUT)

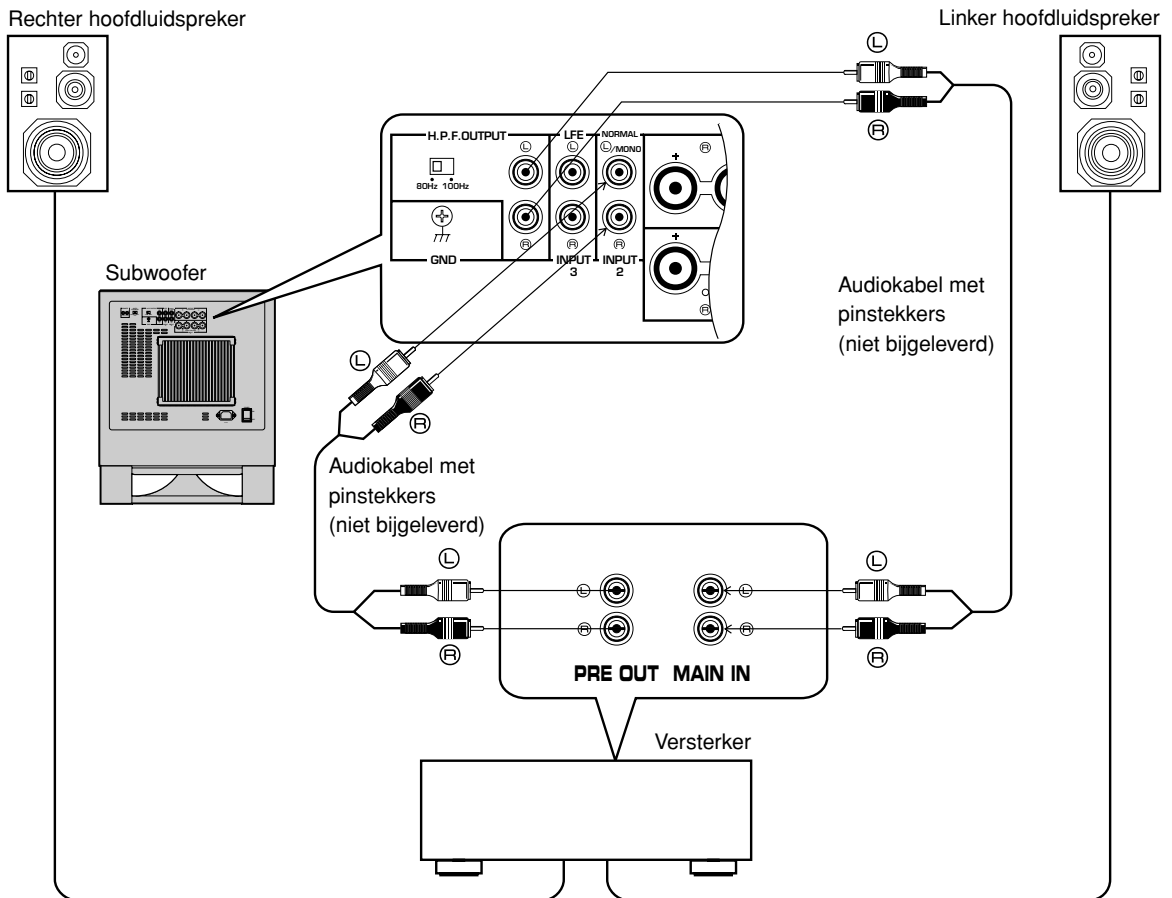
Door de H.P.F. OUTPUT-aansluitingen te verbinden met de versterker verbetert u de geluidskwaliteit van uw luidsprekersysteem.

De hoogdoorlaat-filteruitgangen (H.P.F. OUTPUT) van de subwoofer kappen frequenties onder het gekozen frequentiepunt af van deingangssignalen en voeren alleen hoge frequenties uit. Wanneer deze aansluiting wordt verbonden met de MAIN IN-aansluitingen van de versterker, geven de hoofd-luidsprekers alleen hoge frequenties weer.

Dit resulteert in een zuivere globale geluidskwaliteit door het voorkomen van geluidsvertoebeling tussen de hoofd-luidsprekers en de subwoofer.

\* Deze verbinding kan worden gemaakt als uw versterker beschikt over PRE OUT- en MAIN IN-aansluitingen of als u afzonderlijke versterkers (voorversterker en hoofdversterker) gebruikt.

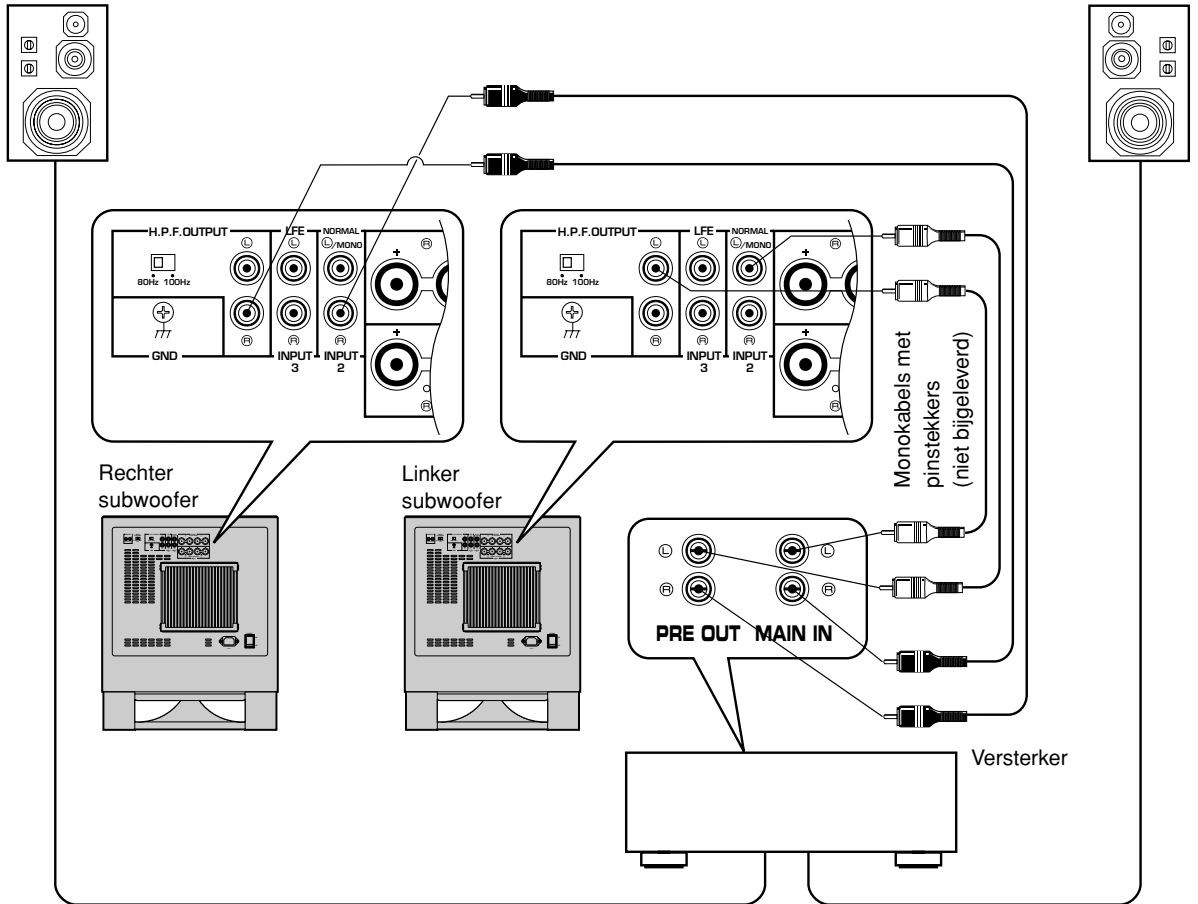
### ■ Aansluiting van één apparaat



## ■ Aansluiting van twee apparaten

Rechter hoofduidspreker

Linker hoofduidspreker

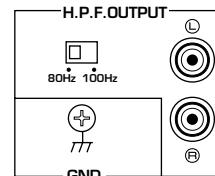


## Instellen van de H.P.F. OUTPUT-schakelaar

Kies na het maken van de verbinding het gewenste frequentiepunt (80 Hz of 100 Hz) met de **H.P.F. OUTPUT**-schakelaar.

(Gewoonlijk verdient het aanbeveling een frequentiepunt te kiezen dat zo dicht mogelijk bij de minimumfrequentie ligt die de hoofduidsprekers nog kunnen weergeven.)

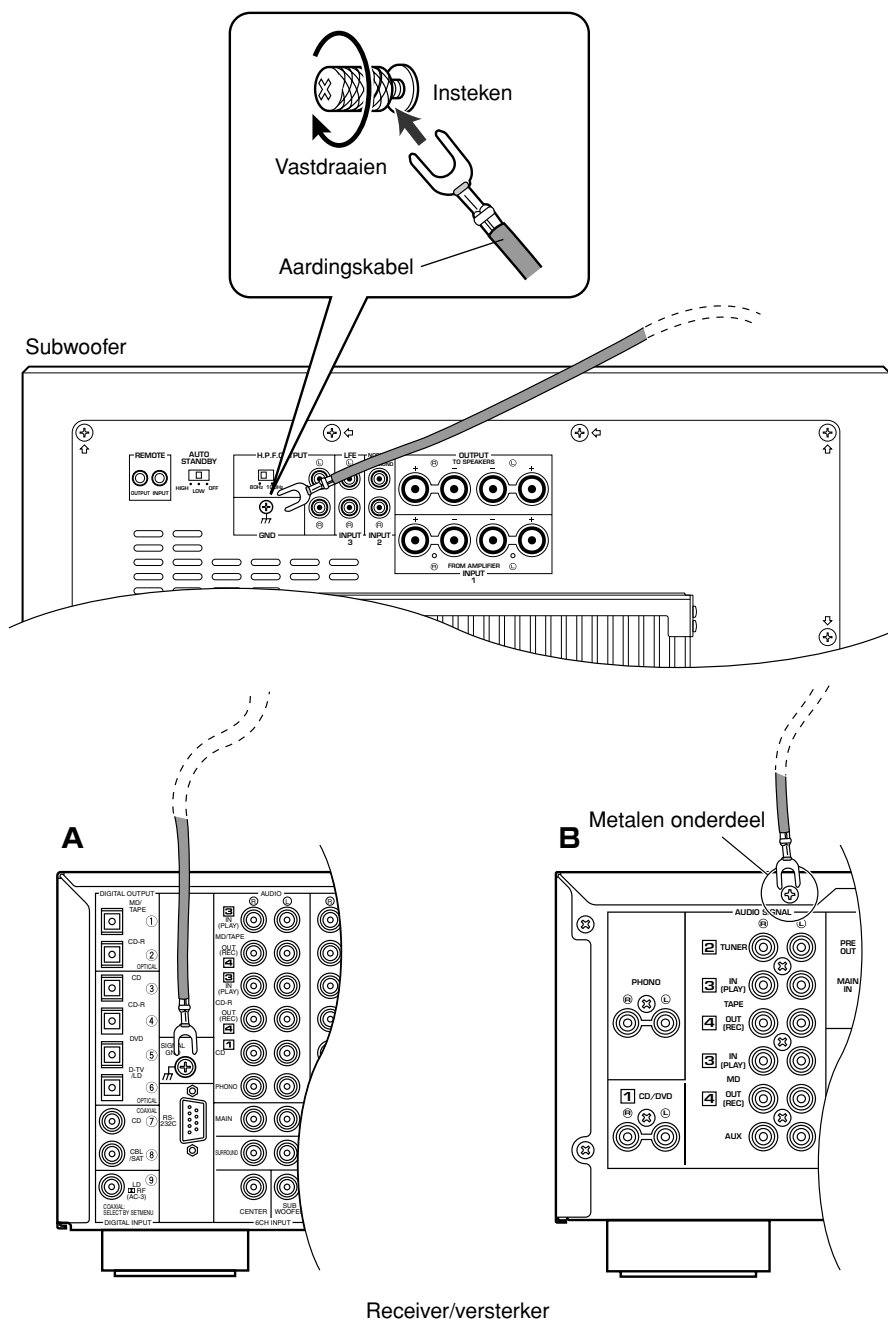
Frequenties die hoger zijn dan de gekozen frequentie worden uitgevoerd via de **H.P.F. OUTPUT**-aansluitingen.



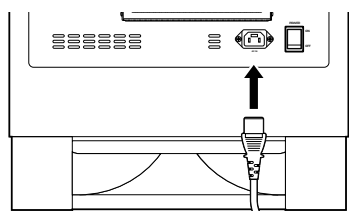
## Aardingsaansluiting

Als bromruis hoorbaar is wanneer de subwoofer is verbonden met de luidsprekeraansluitingen, verbindt u de subwoofer en de receiver/versterker met de aardingskabel, zoals getoond in afbeelding A.

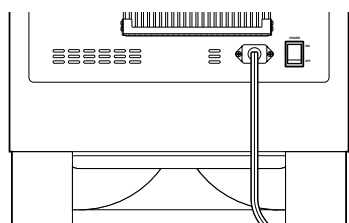
\* Als de receiver/versterker niet is uitgerust met een aardingsaansluiting (GND), verbindt u de kabel met een van de schroeven waarmee het bovenpaneel van de receiver/versterker is bevestigd aan het achterpaneel, zoals getoond in afbeelding B.



## Aansluiten van het netsnoer



(Model voor U.S.A.) → Naar stopcontact



(Model voor Ver. Kon.) → Naar stopcontact

### <Modellen voor de U.S.A., Canada, Europa en Korea>

Nadat alle verbindingen tot stand zijn gebracht, sluit u het bijgeleverde netsnoer aan op AC IN-aansluiting van de subwoofer en steekt u de stekker van het netsnoer in het stopcontact.

#### Opmerkingen

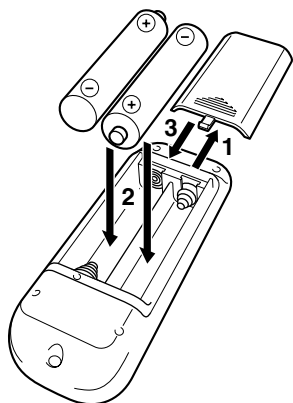
- Sluit nooit een ander netsnoer dan het bijgeleverde snoer aan op de subwoofer. Dit kan brand of een elektrische schok veroorzaken.
- Sluit het bijgeleverde netsnoer nooit op een ander apparaat dan deze subwoofer aan.

### <Modellen voor het Ver. Koninkrijk en Australië>

Sluit de subwoofer aan op het stopcontact.

## OPMERKINGEN IN VERBAND MET DE AFSTANDSBEDIENING

### Plaatsen van de batterijen



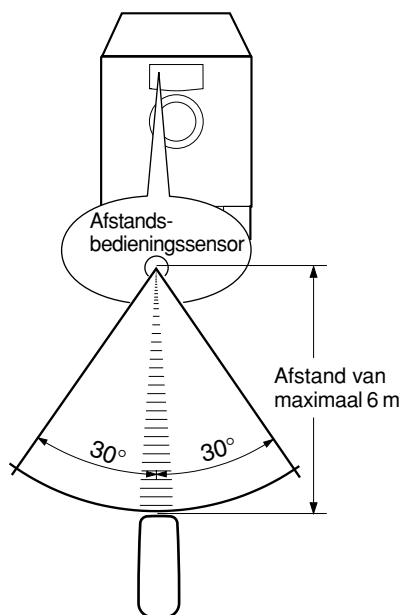
### Vervangen van de batterijen

Als de afstandsbediening dicht bij het hoofdtoestel moet worden gehouden om het te bedienen, zijn de batterijen bijna leeg. Vervang beide batterijen door nieuwe.

#### Opmerkingen

- Gebruik uitsluitend batterijen van het type AA, R6, UM-3.
- Zorg ervoor dat de polen in de juiste richting liggen. (Zie de aanduidingen in het batterijvak.)
- Haal de batterijen uit de afstandsbediening als u ze gedurende lange tijd niet gaat gebruiken.
- Als de batterijen lekken, moet u ze onmiddellijk wegdoen. Raak het uit de batterijen gelekte materiaal niet aan en laat het niet in contact komen met uw kleding enz. Maak het batterijvak goed schoon voor u er nieuwe batterijen in doet.

### Bereik van de afstandsbediening

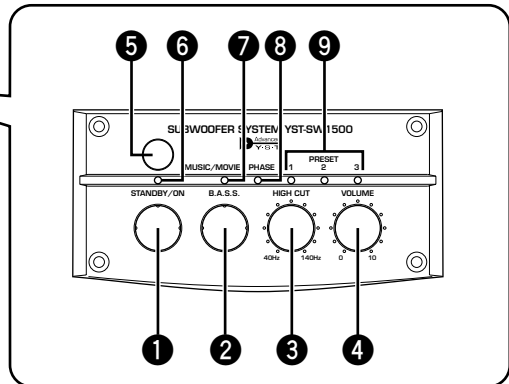
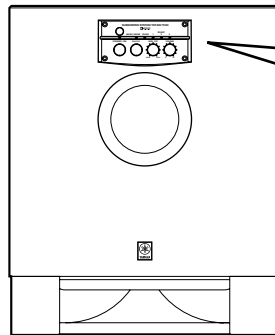


#### Opmerkingen

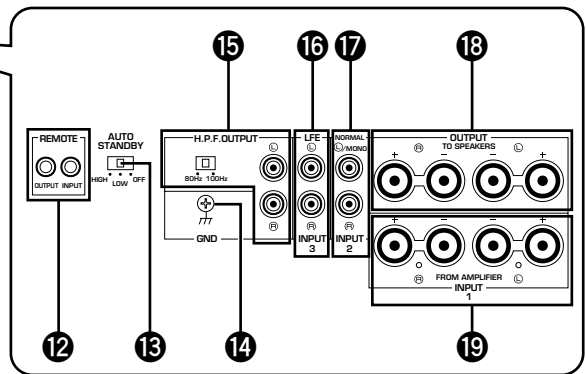
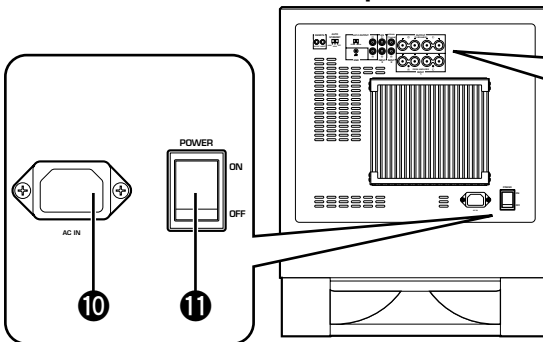
- Er mogen zich geen grote obstakels tussen de afstandsbediening en het hoofdtoestel bevinden.
- Stel de afstandsbedieningssensor niet bloot aan sterk licht (bijvoorbeeld van een TL-lamp); anders zal de afstandsbediening mogelijk niet goed werken. Plaats in dit geval het hoofdtoestel verder weg van de directe verlichting.

# REGELAARS EN HUN FUNCTIES

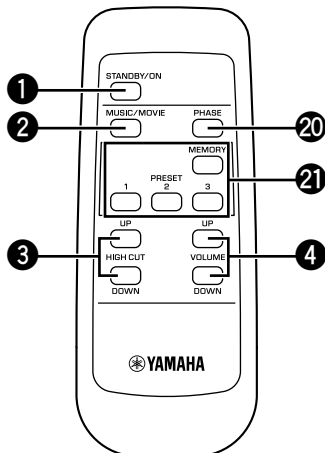
## Voorpaneel



## Achterpaneel



## Afstandsbediening



### 1 STANDBY/ON-toets

Druk op deze toets om de spanning in te schakelen. Druk nogmaals om de subwoofer in de standby-modus te schakelen.

\* Deze toets kan alleen worden gebruikt wanneer de **POWER** (11)-schakelaar in de ON-stand is gezet.

### Standby-modus

In deze modus gebruikt de subwoofer nog een kleine hoeveelheid energie.

### 2 B.A.S.S.-schakelaar

#### MUSIC/MOVIE-toets

Met deze schakelaar in de MOVIE-stand zullen de lage tonen van videobronnen getrouw worden weergegeven. De MUSIC-stand is geschikt voor een optimale weergave van de lage tonen van audiobronnen.

### 3 HIGH CUT-regelaar

#### HIGH CUT UP/DOWN-toetsen

Hiermee stelt u de bovengrens in van de frequenties die moeten worden weergegeven door de subwoofer. U kunt de regelaar op het voorpaneel instellen door een muntstuk of iets dergelijks in de groef op de regelaar te plaatsen en hem te verdraaien.

- 4 VOLUME**-regelaar  
**VOLUME UP/DOWN**-toetsen  
 Hiermee regelt u het volumeniveau. Draai de regelaar rechtsom of druk op de **UP**-toets om het volume te verhogen.  
 Draai de regelaar linksom of druk op de **DOWN**-toets om het volume te verlagen.  
 U kunt de regelaar op het voorpaneel instellen door een muntstuk of iets dergelijks in de groef op de regelaar te plaatsen en hem te verdraaien.
- 5** Afstandsbedieningssensor  
 Ontvangt signalen van de afstandsbediening.
- 6** Spanningsindicator (LED)  
 Licht groen op wanneer de subwoofer is ingeschakeld.  
 Licht rood op wanneer de subwoofer in standby is gezet door de automatische in-/uitschakelfunctie.
- 7** **MUSIC/MOVIE**-indicator (LED)  
 Licht rood op in de **MUSIC**-stand en groen in de **MOVIE**-stand.
- 8** **PHASE**-indicator (LED)  
 Licht rood op wanneer de **PHASE**-toets (20) in de normale stand staat en groen wanneer hij in de omkeerstand staat.
- 9** **PRESET 1/2/3**-indicators (LED)  
 Geven aan welk voorkeuzenummer (**PRESET**) (1, 2 of 3) is gekozen.  
 (Als de subwoofer in de standby-modus wordt gezet wanneer één van deze indicators brandt, zal er geen indicator oplichten wanneer de subwoofer de volgende keer wordt ingeschakeld.)
- 10** **AC IN**  
**<Alleen modellen voor U.S.A., Canada, Europa en Korea>**  
 Steek het bijgeleverde netsnoer in deze aansluiting. Sluit nooit een ander netsnoer dan het bijgeleverde snoer aan op deze aansluiting. Sluit evenmin het bijgeleverde netsnoer aan op een ander apparaat.
- 11** **POWER**-schakelaar  
 Normaal moet deze schakelaar in de **ON**-stand worden gezet om de subwoofer te gebruiken. In deze stand kunt u de subwoofer inschakelen of in de standby-modus schakelen met de **STANDBY/ON**-toets (1). Zet deze schakelaar in de **OFF**-stand om de stroomvoorziening naar de subwoofer volledig uit te schakelen.
- 12** **REMOTE**-aansluitingen  
 Deze aansluitingen worden gebruikt voor een aangepast installatiesysteem. Wanneer de subwoofer wordt aangesloten op de componenten voor een aangepast installatiesysteem, kunt u de subwoofer bedienen met de afstandsbediening van het systeem.
- 13** **AUTO STANDBY (HIGH/LOW/OFF)**-schakelaar  
 Deze schakelaar staat aanvankelijk in de **OFF**-stand. Wanneer u deze schakelaar in de **HIGH**- of **LOW**-stand zet, zal de automatische in-/uitschakelfunctie van de subwoofer werken zoals beschreven op pagina 14. Als u deze functie niet nodig hebt, laat u deze schakelaar in de **OFF**-stand staan.
- 14** **GND**-aansluiting  
 U kunt bromruis beperken door deze aansluiting te verbinden met de aardingsaansluiting (**GND**) van de receiver/ontvanger. (Zie pagina 10.)
- 15** **H.P.F. (High Pass Filter) OUTPUT**-schakelaar  
 Hiermee kiest u de bovengrens van de frequenties die moeten worden afgekapt van de signalen uitgevoerd naar de **H.P.F. OUTPUT**-aansluitingen. Gebruik deze schakelaar alleen wanneer de **H.P.F. OUTPUT**-aansluitingen worden gebruikt voor de verbinding met de versterker. (Zie pagina 8 voor nadere bijzonderheden.)
- H.P.F. OUTPUT**-aansluitingen  
 Deze aansluitingen kappen de frequenties onder het met de **H.P.F. OUTPUT**-schakelaar gekozen frequentiepunt af van deingangssignalen en voeren alleen hogere frequenties uit.
- 16** **INPUT3 (LFE)**-aansluitingen  
 De **HIGH CUT**-regelaar (6) heeft geen invloed op de signalen die via deze aansluitingen worden ingevoerd. (Zie pagina 5 voor nadere bijzonderheden.)
- 17** **INPUT2**-aansluitingen  
 Gebruik deze aansluitingen voor ontvangst van lijnniveau-signalen vanaf de versterker. (Zie "**AANSLUITINGEN**" voor nadere bijzonderheden.)
- 18** **OUTPUT (TO SPEAKERS)**-aansluitingen  
 Kunnen worden gebruikt voor aansluiting op de hoofduidsprekers. Gebruik deze aansluitingen om de subwoofer te verbinden met de luidsprekeraansluitingen op de versterker. (Zie "**AANSLUITINGEN**" voor nadere bijzonderheden.)
- 19** **INPUT1 (FROM AMPLIFIER)**-aansluitingen  
 Gebruik deze aansluitingen om de subwoofer te verbinden met de luidsprekeraansluitingen op de versterker. (Zie "**AANSLUITINGEN**" voor nadere bijzonderheden.)
- 20** **PHASE**-toets  
 Gewoonlijk stelt u deze toets in op de omkeerstand. Afhankelijk van uw luidsprekers of luistersituatie, kunt u echter soms een betere geluidskwaliteit verkrijgen door de normale stand te kiezen. Kies de stand die u het beste vindt klinken. In de omkeerstand licht de **PHASE**-indicator op het voorpaneel groen op; in de normale stand licht hij rood op.
- 21** **MEMORY**-toets/**PRESET**-toetsen  
 Deze toetsen worden gebruikt voor het opslaan en oproepen van de instellingen van de regelaars **B.A.S.S. [MUSIC/MOVIE]** (2), **VOLUME [VOLUME UP/DOWN]** (4), **HIGH CUT [HIGH CUT UP/DOWN]** (6) en **PHASE** (20). (Zie pagina 16.)

# AUTOMATISCHE IN-/UITSCHAKELFUNCTIE

Als de weergegeven bron wordt gestopt en het ingangssignaal gedurende 7 tot 8 minuten wordt onderbroken, schakelt de subwoofer automatisch in standby. (Wanneer de subwoofer in standby wordt geschakeld door de automatische in-/uitschakelfunctie, licht de spanningsindicator rood op.)

Wanneer u opnieuw een bron weergeeft, wordt de spanning van de subwoofer automatisch ingeschakeld door de herkenning van de in de subwoofer ingevoerde signalen. Deze functie werkt door aftasting van een laagfrequent ingangssignaal van een bepaald niveau. Zet de **AUTO STANDBY**-schakelaar in de HIGH of LOW-stand. Als u echter merkt dat het apparaat niet naar behoren wordt in- (ON) of uitgeschakeld (STANDBY), dient u de schakelaar op HIGH te zetten. In de HIGH-stand zal de subwoofer worden ingeschakeld ook als het niveau van het ingangssignaal laag is. Het is echter mogelijk dat de subwoofer niet in de standbyfunctie wordt geschakeld in het geval van een ingangssignaal waarvan het niveau buitengewoon laag is.

- \* Het kan soms gebeuren dat de stroomtoevoer onverwacht automatisch wordt ingeschakeld als gevolg van het opvangen van storing van andere apparatuur. Zet in dat geval de **AUTO STANDBY**-schakelaar op OFF.
- \* Deze functie herkent de laagfrequente componenten van de ingangssignalen onder 200 Hz (d.w.z. een explosie in een actiefilm, het geluid van een basgitaar of basdrum, enz.).
- \* De minuten die nodig zijn voordat de subwoofer in standby schakelt kunnen variëren als gevolg van storingen van andere apparatuur.

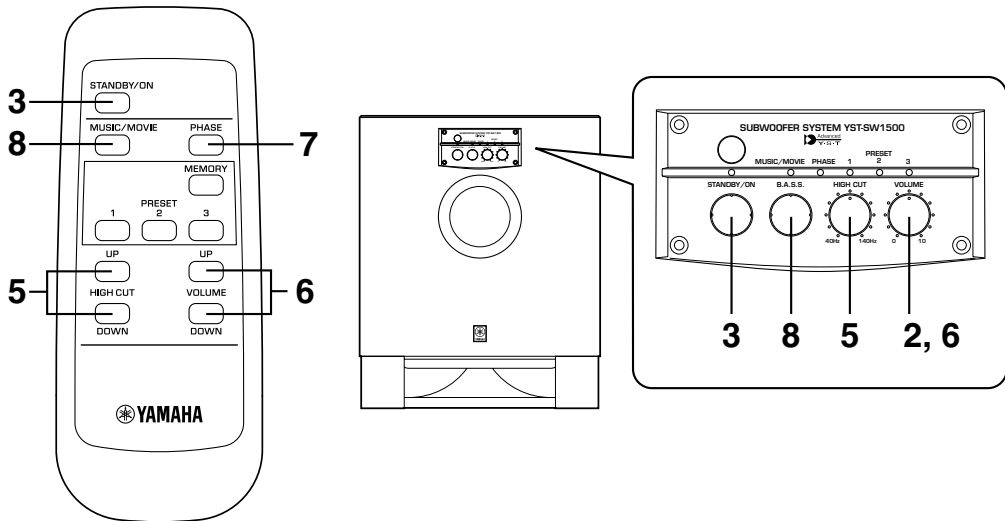
**Deze functie werkt alleen wanneer de spanning van de subwoofer is ingeschakeld (door de STANDBY/ON-toets op "ON" te zetten).**

**Deze functie werkt niet als de subwoofer in standby is gezet met de STANDBY/ON-toets.  
(De spanningsindicator op het voorpaneel gaat uit.)**



# AFSTELLING VAN DE SUBWOOFER ALVORENS DEZE TE GEBRUIKEN

Stel de subwoofer in alvorens deze te gebruiken, om zo de optimale volume- en toonbalans te verkrijgen tussen de subwoofer en de hoofduidsprekers, door de hieronder aangegeven procedure te volgen.



- 1 Stel het volumeniveau van de versterker in op het minimum en schakel de versterker en de andere componenten in.
- 2 Draai de **VOLUME**-regelaar in de minimumstand (0).
- 3 Controleer of de **POWER**-schakelaar op het achterpaneel op ON staat en druk vervolgens op de **STANDBY/ON**-toets om de subwoofer in te schakelen.

\* De spanningsindicator licht groen op.

- 4 Geef een bron weer die laagfrequente componenten bevat en stel de volumeregelaar van de versterker in op het gewenste luisterniveau.
- 5 Verdraai de **HIGH CUT**-regelaar (of druk op de **HIGH CUT UP/DOWN**-toetsen van de afstandsbediening) om de regelaar in de stand te zetten waarin de gewenste respons wordt verkregen.

Gewoonlijk stelt u de regelaar in op de laagste frequentie die uw hoofduidsprekers\* nog goed kunnen weergeven.

\* De laagste frequentie die de hoofduidsprekers kunnen weergeven staat gewoonlijk vermeld in de luidsprekercatalogus of de gebruiksaanwijzing.

- 6 Draai het volume geleidelijk omhoog om de volumebalans tussen de subwoofer en de hoofduidsprekers af te stellen.

Gewoonlijk stelt u de regelaar zo in dat u iets meer bassen kunt horen dan wanneer de subwoofer niet wordt gebruikt. Als het gewenste klankbeeld niet kan worden verkregen, stelt u de HIGH CUT-regelaar en de VOLUME-regelaar opnieuw af.

- 7 Druk op de **PHASE**-toets om de stand te kiezen die de beste basweergave oplevert, hetzij de normale, hetzij de omkeerstand.

Gewoonlijk kiest u de omkeerstand (zodat de PHASE-indicator op het voorpaneel groen oplicht). Als de gewenste respons niet wordt verkregen, kiest u de normale stand (zodat de PHASE-indicator rood oplicht).

- 8 Kies "MOVIE" of "MUSIC", afhankelijk van de weergegeven bron.

**MOVIE** (de MUSIC/MOVIE-indicator op het voorpaneel licht groen op):

Wanneer een bron van het filmtype wordt weergegeven, worden de laagfrequente effecten versterkt zodat de luisteraar kan genieten van een krachtiger geluid. (Het geluid zal voller en dieper klinken.)

**MUSIC** (de MUSIC/MOVIE-indicator op het voorpaneel licht rood op):

Wanneer een gewone muziekbron wordt weergegeven, worden de overbodige laagfrequente componenten afgekapt om een zuiverder geluid te verkrijgen. (Het geluid zal lichter klinken en de melodielyn zal zuiverder worden weergegeven.)

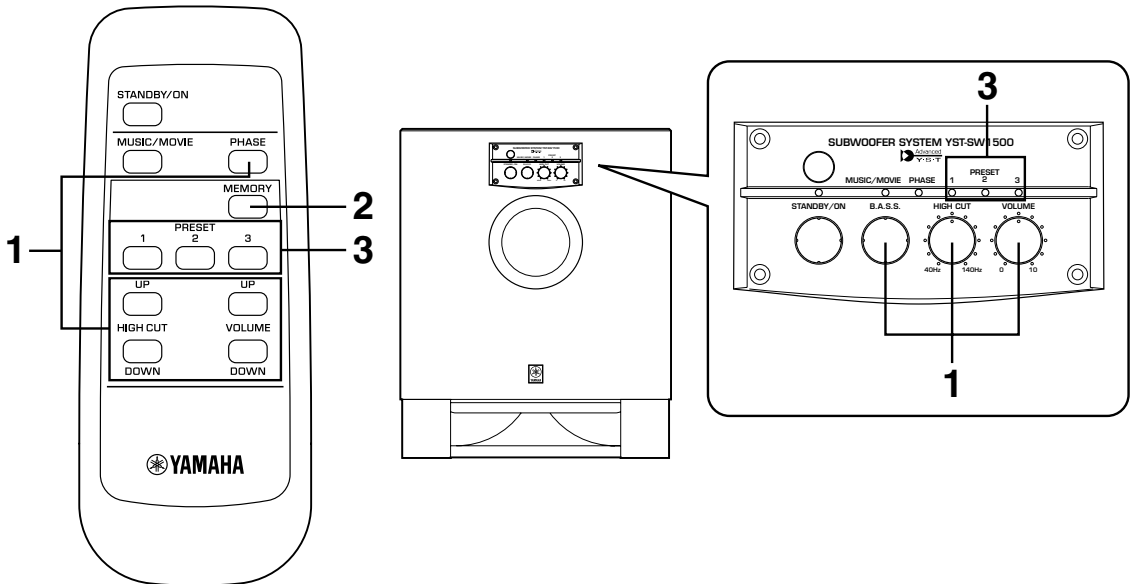
- Wanneer de volumebalans tussen de subwoofer en de hoofduidsprekers eenmaal is afgesteld, kunt u het volume van uw gehele geluidssysteem afstellen door gebruik te maken van de volumeregelaar van de versterker.

Indien u echter de hoofduidsprekers vervangt door andere luidsprekers dan moet u deze afstelling opnieuw uitvoeren.

- Voor het instellen van de VOLUME-regelaar, de HIGH CUT-regelaar en de PHASE-toets, zie "Frequentiekarakteristieken" op pagina 17.

## Opslaan van voorkeuzegegevens voor de VOLUME-regelaar, enz.

U kunt voorkeuzegegevens van de **VOLUME**-regelaar, de **HIGH CUT**-regelaar, de **PHASE**-toets en de **B.A.S.S.**-schakelaar in reeksen opslaan. Met elk van de drie **PRESET**-toetsen op de afstandsbediening kunt u één reeks gegevens opslaan (en oproepen). Met deze functie kunt u de gewenste voorkeuzegegevens eenvoudig oproepen afhankelijk van de bron.



### ■ Opslaan

- 1 Stel de **VOLUME**-regelaar, de **HIGH CUT**-regelaar, de **PHASE**-toets en de **B.A.S.S.**-schakelaar in.
- 2 Druk op de **MEMORY**-toets. De **PRESET**-nummerindicatoren op het voorpaneel knipperen.
- 3 Druk op de **PRESET 1**-toets. De overeenkomstige **PRESET**-nummerindicator licht op. Dit geeft aan dat de gegevens zijn opgeslagen onder **PRESET 1**.

\* Ga op dezelfde manier tewerk om reeksen gegevens op te slaan onder **PRESET 2** en **3**.

\* De standaardinstelling van elke **PRESET**-toets is geschikt voor het gebruik van de volgende Yamaha-luidsprekersystemen met deze subwoofer.

**PRESET 1:** NS-8HX, NS-6HX

**PRESET 2:** NS-4HX

**PRESET 3:** NS-2HX

### Opmerkingen

- Een nieuwe instelling kan worden opgeslagen in plaats van een vorige instelling.
- Terwijl de **VOLUME**-regelaar of de **HIGH CUT**-regelaar wordt verdraaid na het drukken op een **PRESET**-toets, heeft het indrukken van een andere **PRESET**-toets geen effect.

### Geheugenbeveiliging

Het geheugenbeveiligingscircuit voorkomt dat de opgeslagen gegevens verloren gaan als de **POWER**-schakelaar wordt uitgeschakeld of de stekker uit het stopcontact wordt verwijderd, of als er zich een tijdelijke stroomonderbreking voordoet. Als de stroom echter langer dan één week onderbroken wordt, kan de geheugeninhoud worden gewist. Als dit gebeurt, kan de geheugeninhoud worden hersteld door gewoon de stappen hierboven te volgen.

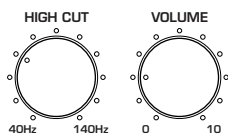
# Frequentiekaracteristieken

## Frequentiekaracteristieken van deze subwoofer

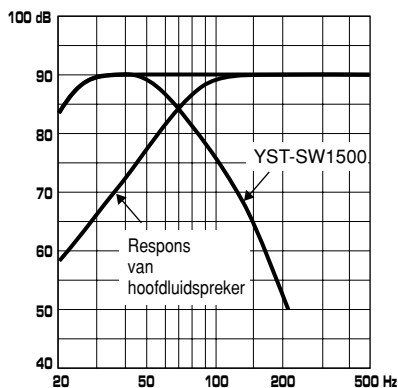


De onderstaande afbeeldingen tonen de optimale instelling van de genoemde regelaars en de resulterende frequentiekaracteristieken bij gebruik van deze subwoofer in combinatie met een stel gewone hoofd-luidsprekers.

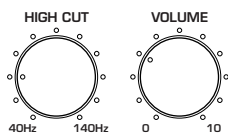
### Voorbeeld 1 In combinatie met hoofd-luidsprekers van 10 cm tot 13 cm doorsnede, in een akoestisch opgehangen 2-wegsysteem



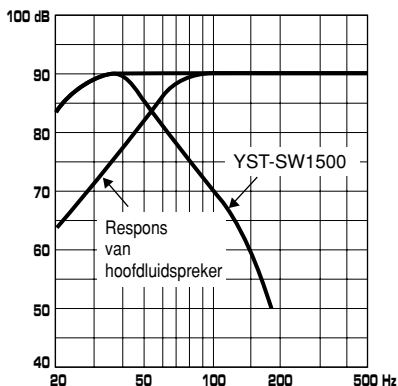
**PHASE**—Ingesteld op de omkeers-stand.  
**B.A.S.S.**—MOVIE



### Voorbeeld 2 In combinatie met luidsprekers van 20 cm tot 25 cm doorsnede, in een akoestisch opgehangen 2-wegsysteem



**PHASE**—Ingesteld op de omkeers-stand.  
**B.A.S.S.**—MOVIE



# ADVANCED YAMAHA ACTIVE SERVO TECHNOLOGY

De theorie van de Yamaha Active Servo Technology is gebaseerd op twee belangrijke factoren, de Helmholtz resonator en negatieve impedantie aandrijving. Active Servo Processing luidsprekers geven de frequenties van de lage tonen weer via een "luchtwoofer", welke een kleine poort of opening is in de behuizing van de luidspreker. Deze opening wordt gebruikt in plaats van een woofer welke bij een conventioneel luidsprekersysteem de functies van een normale woofer uitvoert. Op deze wijze kunnen de signalen van een lage amplitude binnen in de behuizing, overeenkomstig de Helmholtz resonantie theorie via deze opening uitgevoerd worden in de vorm van golven van hoge amplitude, indien de grootte van de opening en het volume van de behuizing in een juiste verhouding zijn en voldoen aan een bepaalde formule.

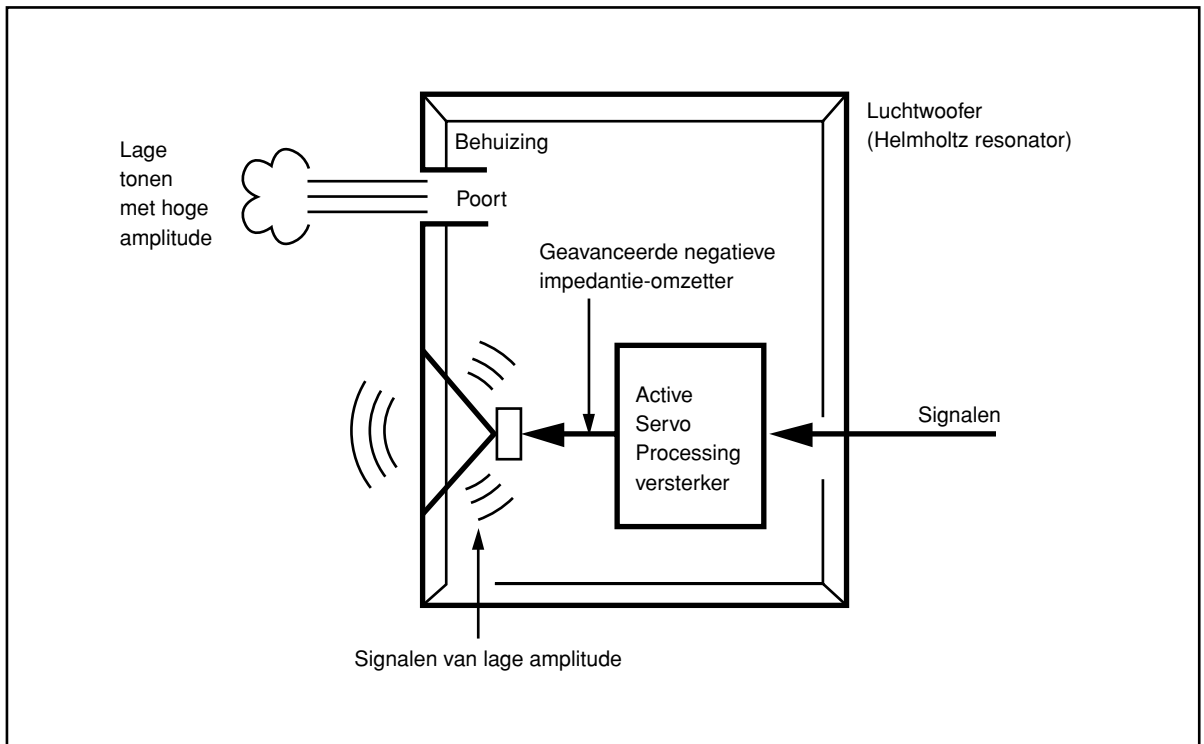
Teneinde dit te bewerkstelligen, dienen bovendien de amplitudes binnen in de behuizing zowel nauwkeurig als ook van voldoende vermogen te zijn, aangezien deze amplitudes bestand dienen te zijn tegen de "belasting" die gevormd wordt door de lucht die zich binnen in de behuizing bevindt.

Het is dan ook dit probleem dat opgelost wordt door de keuze van een nieuw ontwerp waarbij de versterker speciale signalen levert. Indien de elektrische weerstand van de toonspoel tot nul verminderd wordt, zal de beweging van de luidspreker-eenheid lineair worden ten opzichte van de signaalspanning. Om dit te bewerkstelligen, wordt er gebruik gemaakt van een speciale versterker met negatieve

impedantie uitgangssignaal-aandrijving voor het aftrekken van de uitgangssignaal-impedantie van de versterker. Door het gebruik van circuits voor negatieve impedantie uitgangssignaal-aandrijving, kan de versterker nauwkeurige lage amplitude en lage frequentie golven met superieure dempingskarakteristieken opwekken. Deze golven worden vervolgens vanuit de opening in de behuizing als signalen met hoge amplitude naar buiten gestraald. Het systeem is daardoor in staat door het gebruik van de versterker voor negatieve impedantie uitgangssignaal-aandrijving en de luidsprekerbehuizing met de Helmholtz resonator een buitengewoon breed bereik van frequenties met een verrassende geluidskwaliteit en minder vervorming weer te geven.

De hierboven aangegeven bijzonderheden vormen in combinatie de fundamentele structuur van de conventionele Yamaha Active Servo Technology.

Onze nieuwe actieve servo-technologie — Advanced Yamaha Active Servo Technology — omvat nu ook de Advanced Negative Impedance Converter (ANIC) circuits, waarmee een conventionele negatieve impedantie-omzetter dynamisch wordt aangepast om de optimale waarde voor de luidspreker-impedantie te kiezen. Met deze nieuwe ANIC circuits kan de Advanced Yamaha Servo Technology meer stabiele prestaties leveren en een betere geluidsdruk bereiken dan de conventionele Yamaha Active Servo Technology, voor een nog natuurlijker en meer dynamische basweergave.



# STORINGZOEKEN

Zie onderstaande tabel in het geval dit apparaat niet correct functioneert. Als het probleem dat u ondervindt niet in onderstaande tabel is opgenomen of als de onderstaande instructies niet helpen, de stekker van het toestel uit het stopcontact verwijderen en contact opnemen met uw officiële YAMAHA-dealer of reparatiedienst.

Probleem	Oorzaak	Maatregelen
<b>Het apparaat krijgt geen spanning, alhoewel de STANDBY/ON-toets in de ON-stand is gezet.</b>	Het netsnoer zit niet in het stopcontact of de POWER-schakelaar is in de OFF-stand gezet.	Sluit het netsnoer stevig aan op de AC IN-aansluiting van de subwoofer en op het stopcontact of zet de POWER-schakelaar in de ON-stand.
<b>Geen geluid.</b>	Het volume staat in de minimumstand.	Verhoog het volume.
	De luidsprekerkabels zijn niet stevig aangesloten.	Sluit de kabels stevig aan.
<b>Het geluidsniveau is te laag.</b>	De luidsprekerkabels zijn niet juist aangesloten.	Sluit de kabels correct aan, d.w.z. L (links) op L, R (rechts) op R, "+" op "+" en "-" op "-".
	De instelling van de PHASE-toets is niet juist.	Zet de PHASE-toets in een andere stand.
	Een brongeluid met weinig lage frequenties wordt weergegeven.	Geef een brongeluid met lage frequenties weer. Zet de HIGH CUT-regelaar in een hogere stand.
	Er is invloed van staande golven.	Stel de subwoofer anders op of onderbreek het parallelle oppervlak door boekenplanken, enz. langs de muren te plaatsen.
<b>De subwoofer wordt niet automatisch ingeschakeld.</b>	De POWER-schakelaar is in de OFF-stand gezet.	Zet de POWER-schakelaar in de ON-stand.
	De subwoofer is in standby gezet met de STANDBY/ON-toets. (De spanningsindicator brandt niet.)	Schakel de subwoofer opnieuw in met de STANDBY/ON-toets.
	De AUTO STANDBY-schakelaar is in de OFF-stand gezet.	Zet de AUTO STANDBY-schakelaar in de HIGH of LOW-stand.
	Het niveau van hetingangssignaal is te laag.	Zet de AUTO STANDBY-schakelaar in de HIGH-stand.
<b>De subwoofer wordt plotseling op de standbyfunctie ingesteld.</b>	Het niveau van hetingangssignaal is te laag.	Zet de AUTO STANDBY-schakelaar in de HIGH-stand.
<b>De subwoofer wordt plotseling ingeschakeld.</b>	Er wordt een stoorsignaal van externe apparatuur, etc. opgepikt.	Zet de subwoofer verder van de desbetreffende apparatuur vandaan en/of verander de loop van de luidsprekerkabels. Of zet de AUTO STANDBY-schakelaar in de OFF-stand.
<b>De stroomonderbreker van het stopcontact wordt geactiveerd.</b>	De subwoofer verbruikt veel elektriciteit wanneer een hoog-niveausignaal naar de subwoofer wordt gevoerd.	Draai het volume op de versterker, enz. die op de subwoofer is aangesloten terug of schakel de stroomtoevoer naar overige niet gebruikte apparatuur uit.
<b>De afstandsbediening werkt niet.</b>	Er valt rechtstreeks zonlicht of sterk licht (bijv. van een TL-lamp) op de afstandsbedieningssensor van het hoofdtoestel.	Verplaats het hoofdtoestel.
<b>De afstand of het bereik waarbinnen de afstandsbediening kan worden gebruikt neemt af.</b>	De batterijen van de afstandsbediening zijn bijna leeg.	Vervang de batterijen door nieuwe.

## Opmerking

Wanneer de subwoofer gedurende 5 tot 15 minuten een hoog signaalniveau ontvangt, begint de spanningsindicator te knipperen om u te wijzen op gevaar voor beschadiging van de vermogensversterker en de luidspreker in dit subwoofersysteem. Als de invoer van de signalen nog 5 minuten langer duurt, wordt de subwoofer automatisch in de standby-stand gezet.

# SPECIFICATIES

---

**Type** ..... Advanced Yamaha Active Servo Technology

**Driver** ..... 30 cm konus-woofer  
Type met magnetische afscherming

**Versterker-uitgangsvermogen** ..... 1 kW/5Ω

**Frequentiebereik** ..... 16 Hz tot 160 Hz (-10 dB)

## Spanningsvereisten

### Modellen voor U.S.A. en Canada

..... 120V, 60 Hz wisselstroom

### Modellen voor het Ver. Koninkrijk en Europa

..... 230V, 50 Hz wisselstroom

**Modellen voor Australië** ..... 240V, 50 Hz wisselstroom

**Modellen voor Korea** ..... 220V, 50 Hz wisselstroom

**Stroomverbruik** ..... 250W

**Stroomverbruik tijdens stand-by** ..... 1,0W

**Afmetingen (L x H x B)** ..... 420 mm x 511 mm x 448 mm

**Gewicht** ..... 29 kg

\* Alle specificaties zijn onder voorbehoud en kunnen zondere nadere kennisgeving worden gewijzigd.



---

**YAMAHA ELECTRONICS CORPORATION, USA** 6660 ORANGETHORPE AVE., BUENA PARK, CALIF. 90620, U.S.A.  
**YAMAHA CANADA MUSIC LTD.** 135 MILNER AVE., SCARBOROUGH, ONTARIO M1S 3R1, CANADA  
**YAMAHA ELECTRONIK EUROPA G.m.b.H.** SIEMENSSTR. 22-34, 25462 RELINGEN BEI HAMBURG, F.R. OF GERMANY  
**YAMAHA ELECTRONIQUE FRANCE S.A.** RUE AMBROISE CROIZAT BP70 CROISSY-BEAUBOURG 77312 MARNE-LA-VALLEE CEDEX02, FRANCE  
**YAMAHA ELECTRONICS (UK) LTD.** YAMAHA HOUSE, 200 RICKMANSWORTH ROAD WATFORD, HERTS WD1 7JS, ENGLAND  
**YAMAHA SCANDINAVIA A.B.** J A WETTERGRENS GATA 1, BOX 30053, 400 43 VÄSTRA FRÖLUNDA, SWEDEN  
**YAMAHA MUSIC AUSTRALIA PTY, LTD.** 17-33 MARKET ST., SOUTH MELBOURNE, 3205 VIC., AUSTRALIA

**YAMAHA CORPORATION**  
Printed in Indonesia ☪ V997110-2